

# ANBO - III 1st series

RSSH - 72007

**HOBBS**  
Scale Scratchbuilt Hobby

ANBO-III was the third aircraft of the Lithuanian aircraft designer **Antanas Gustaitis**.

ANBO-III - was a parasol type two-seater monoplane of mixed construction, designed for the advanced training of pilots, tested in August, 1929. In 1930-1931 two series (first series – No. 39, 40, 41, 42 and second series – No.44, 45, 47, 48) were built and were actively operated until the Soviet occupation in 1940. At the beginning, ANBO-III was also used for reconnaissance purposes. ANBO-III was the first serially built airplane of Lithuanian construction.

**Crew:** two  
**Length:** 7.0 m  
**Wingspan:** 10.55 m  
**Wing area:** 18.2 m<sup>2</sup>  
**Empty weight:** 556 kg  
**Gross weight:** 856 kg  
**Powerplant:** 1 × Walter Mars I, 108 kW (145 hp)  
**Maximum speed:** 185 km/h  
**Service ceiling:** 4800 m  
**Rate of climb:** 3.5 m/s

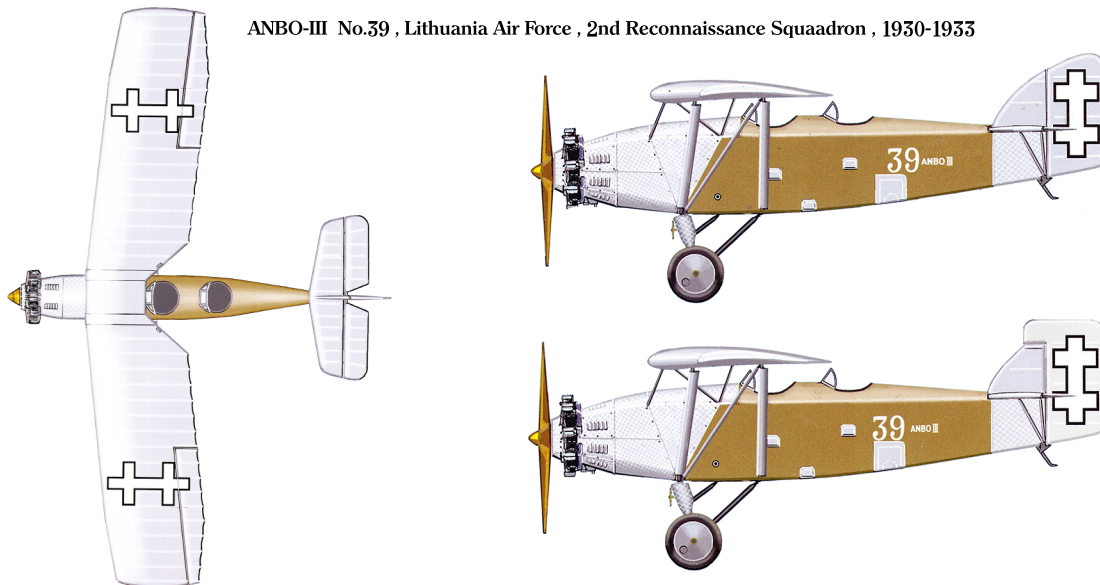
More information can be found in [www.plienosparnai.lt/page.php?969](http://www.plienosparnai.lt/page.php?969)

The model is identical to 1<sup>st</sup> series of ANBO-III during the active operation in 2<sup>nd</sup> Reconnaissance Squadron.

Thanks for your interest in this model.

[rss.hobbis@gmail.com](mailto:rss.hobbis@gmail.com)

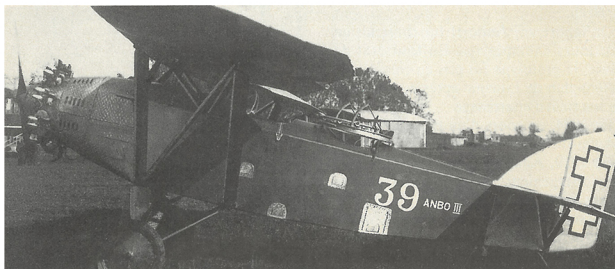
ANBO-III No.39 , Lithuania Air Force , 2nd Reconnaissance Squadron , 1930-1933



**Painting:**  
Fuselage - brown  
Wings, tailplane, fin, short rudder - silver  
Long rudder - white  
Engine cowling, landing gear struts, aft part of fuselage - brushed duraluminum



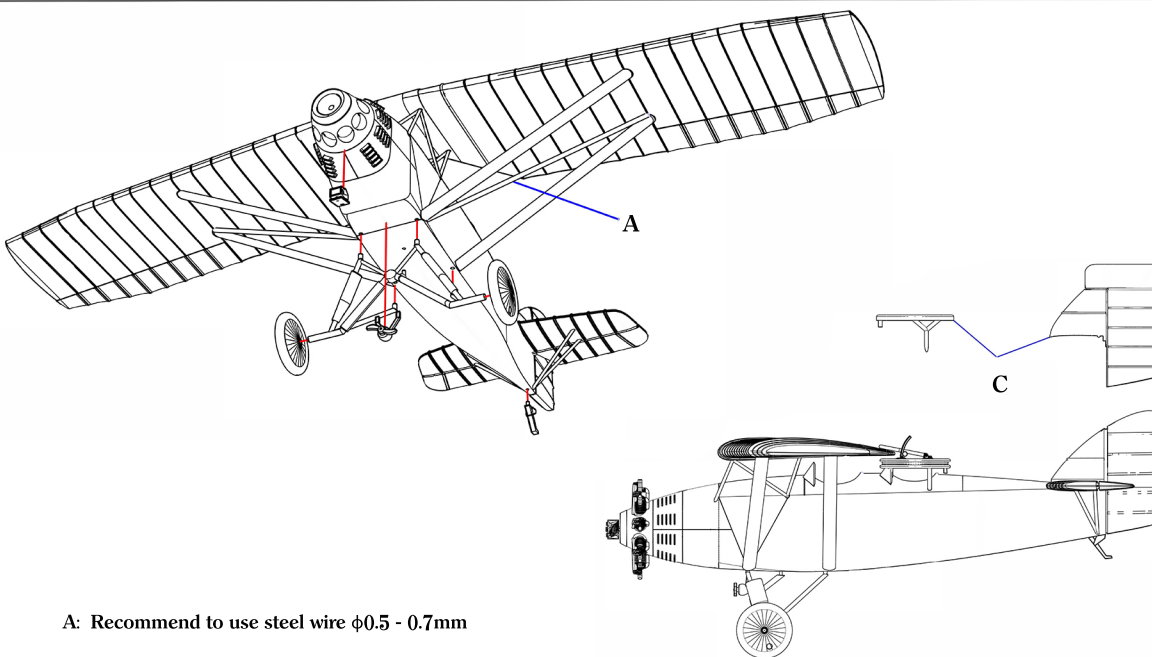
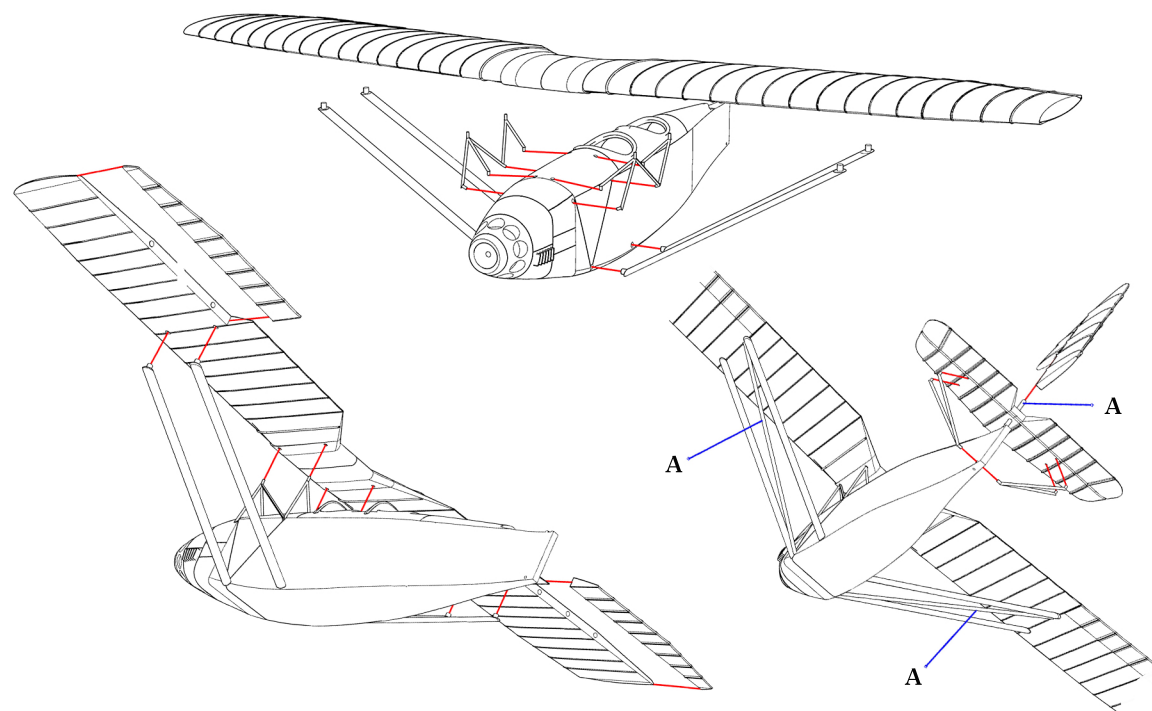
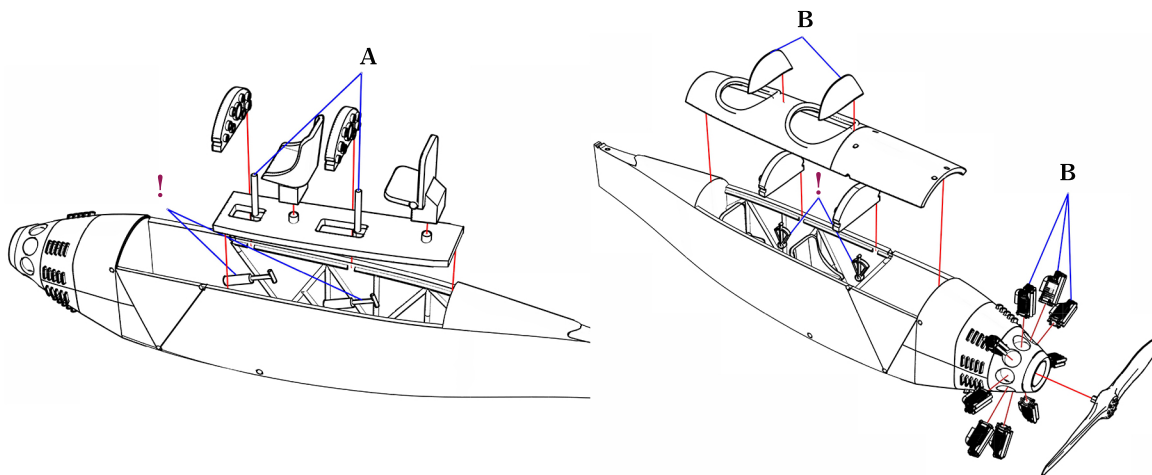
**Decals:**  
hite images + complete drying + black images



# ANBO - III 1st series

RSSH - 72007

**HBBIS**  
Scale Scratchbuilt Hobby



A: Recommend to use steel wire  $\phi 0.5 - 0.7\text{mm}$

B: To install after painting

C: Option for long rudder