

TRACTOR



SPECIFICATION

GENERAL - DIMENSIONS

CALIBRE: 3.45 IN.

MATERIAL: STEEL.

WEIGHT WITH BREECH MECH.: 991 LBS.

WEIGHT WITHOUT BREECH MECH.: 943 LBS.

LENGTH: 96.725 IN.

LENGTH OF LINER: 92.6 IN.

LENGTH OF BORE: 92.365 IN.

LENGTH TO BASE OF PROJECTILE: 14/47 IN.

RIFLING SYSTEM: POLYGROOVE PLAIN SECTION.

RIFLING LENGTH: 74.225 IN.

RIFLING TWIST: UNIFORM. ONE TURN IN 20 CALIBRES.

NUMBER OF GROOVES: 26.

GROOVE WIDTH: 0.2777 IN.

GROOVE DEPTH: 0.04 IN.

TRAVEL OF PROJECTILE: 77.895 IN.

RAMMING: 18.83 IN.

FIRING: PERCUSSION.

CARRIAGE 25/18 PDR.

ELEVATION: -5° TO $+37\frac{1}{2}^{\circ}$.

TREVERSE (overall): 50° .

RECOIL: 45 IN.

1/72 SCALE

KIT 8614



WEIGHTS

CARRIAGE: 2592 LBS.

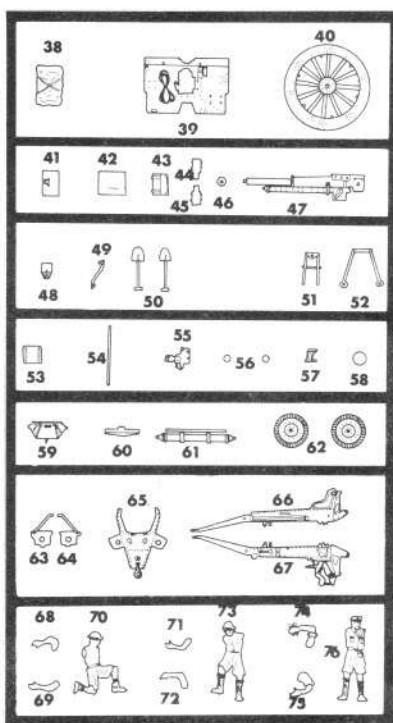
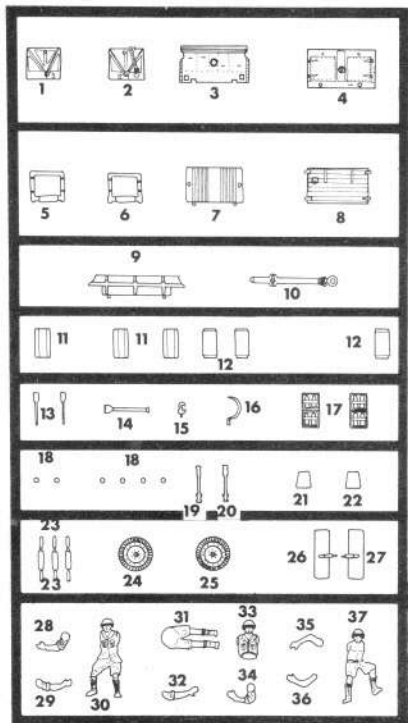
GUN AND CARRIAGE: 3583 LBS.

WEIGHT ON CARRIAGE WHEELS: 3497 LBS.

HEIGHT TOP OF SHIELD, FIRING: 63 IN.

HEIGHT TOP OF SHIELD, TRAV.: 58.5 IN.

LENGTH: 320 IN.



IMPORTANTE

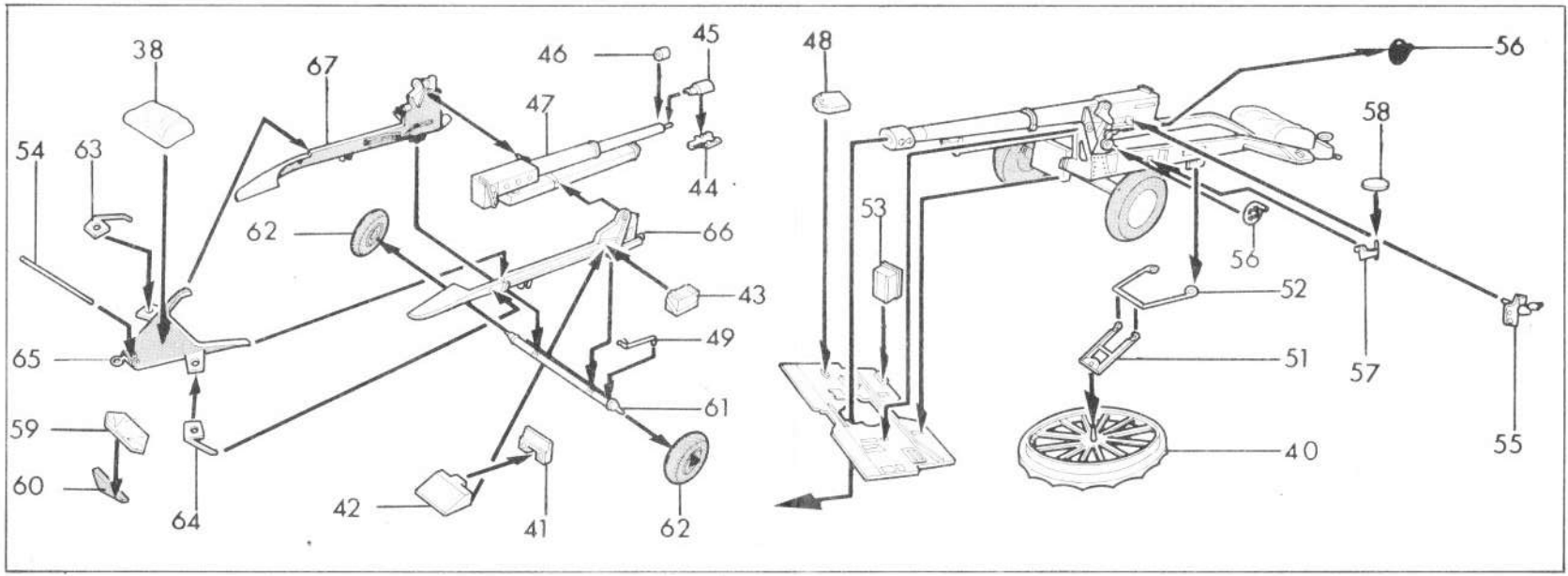
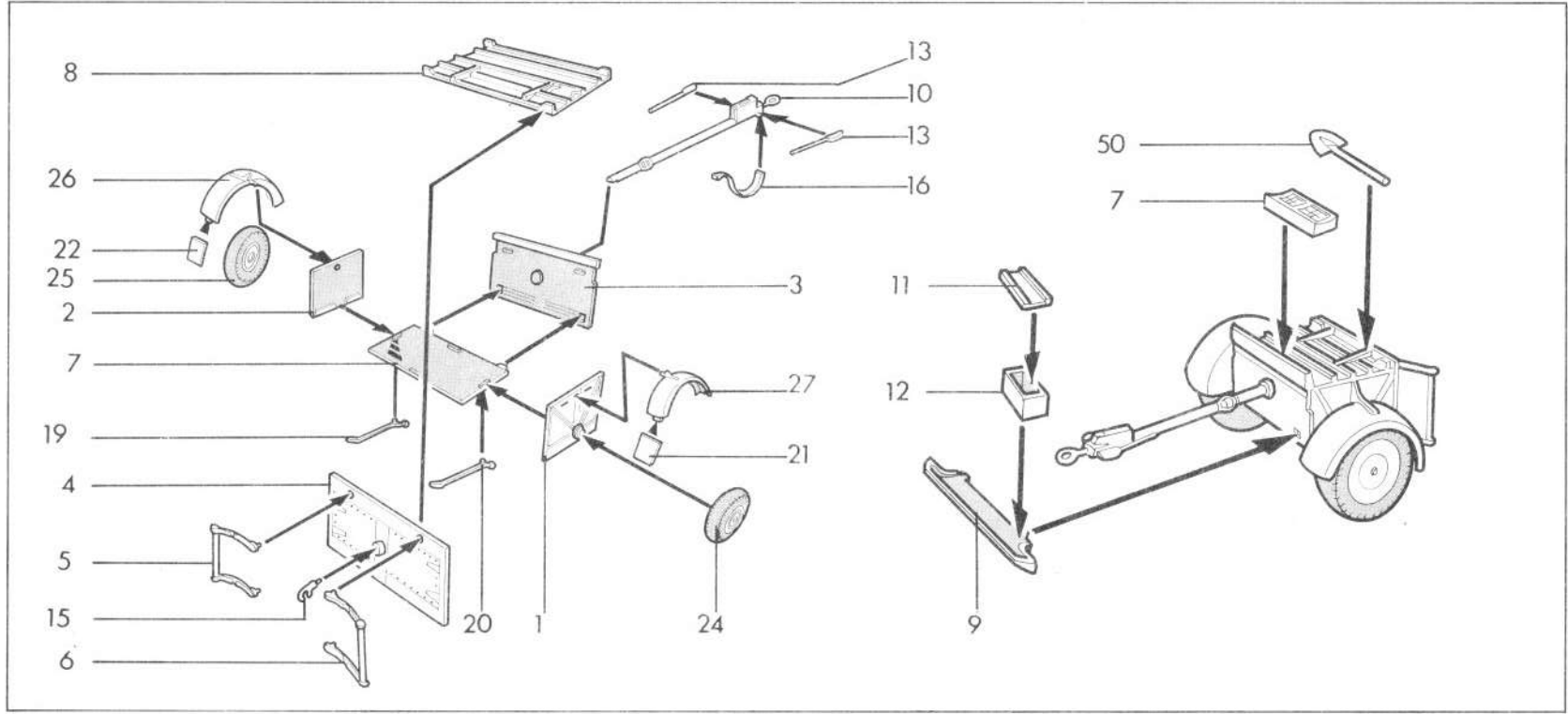
Prima di iniziare il montaggio del modello studiare attentamente le varie fasi d'assemblaggio indicate nei disegni. Staccare con cura le parti dalle stampate. Eliminare con una limetta o con una carta-vetro fine le eventuali sbavature, controllare l'incastro di ogni pezzo prima di incollarlo. Verniciare, prima di assemblare, gli eventuali particolari interni del modello o le parti difficilmente raggiungibili ad assemblaggio effettuato. Seguire sempre l'ordine di montaggio illustrato nelle tavole, e, nel caso di parti alternative che consentano di realizzare differenti versioni, scegliere prima dell'assemblaggio la variante preferita.

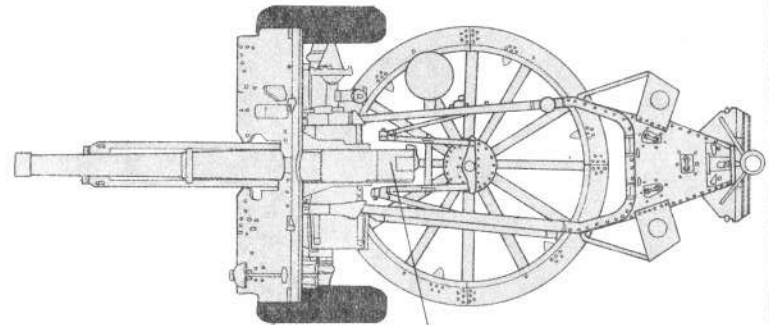
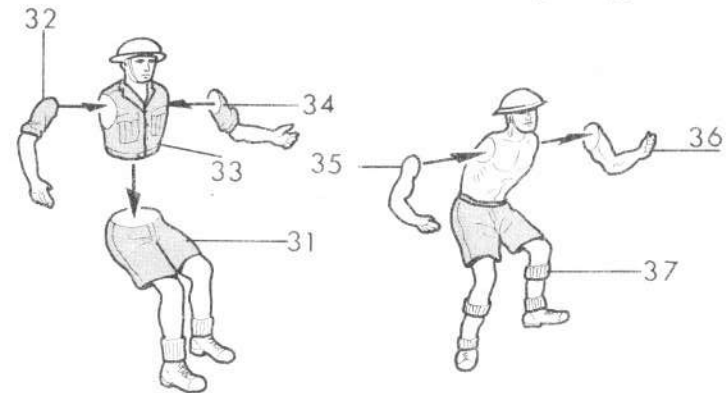
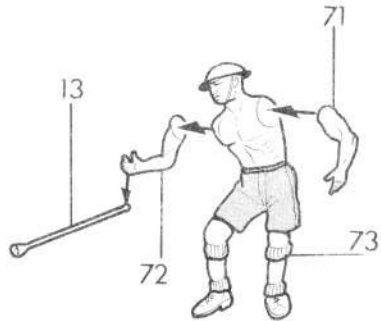
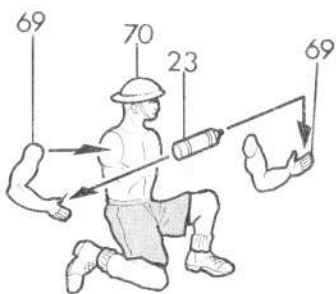
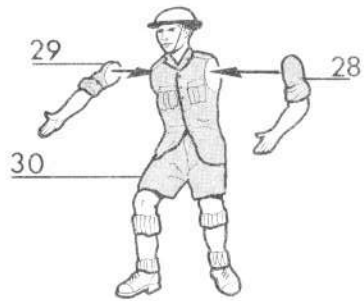
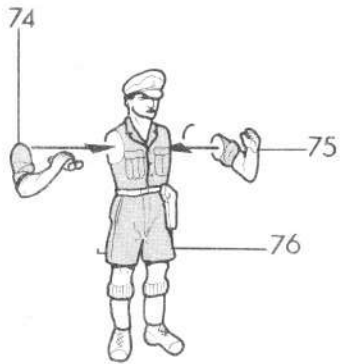
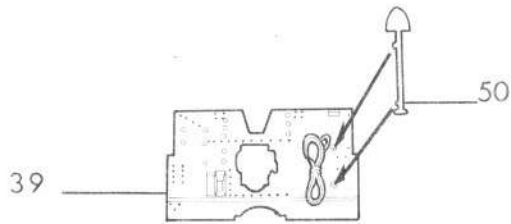
ISTRUZIONI PER APPLICARE CORRETTAMENTE LE ADESIVE: Ritagliare con attenzione, il soggetto prescelto seguendone i contorni. Immergerlo in acqua tiepida. Separarlo dal supporto. Posizionare l'adesivo sul modello - asciugarlo con l'aiuto di un panno - eliminare le eventuali bolle d'aria spingendole all'esterno.

WARNING

Before starting to assemble the model, carefully examine the various assembly phases indicated in the drawings. Carefully remove the parts from the sprues using a razor blade or emery paper. Eliminate any burrs, check the fit of each piece before cementing in place. Before assembly, paint any internal parts of the model or parts which are difficult to get at once assembly has been made. Always follow the assembly order indicated on the tables and, in the case of alternative parts which make it possible to obtain different versions, always choose the version you prefer before assembly.

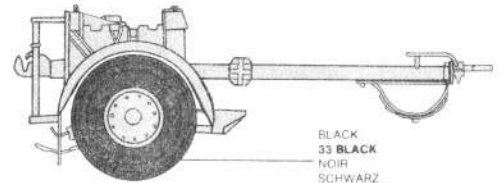
STEPS TO FOLLOW IN ATTACHING THE DECALS PROPERLY: Cut out the subject you have chosen, being very careful to clip along its outlines so as not to leave any ragged edges. Soak it for a few seconds in warm water. Carefully separate it from its backing. Place the decal on the model. Remove all drops of water with a dry cloth. Any air bubbles which may have formed can be removed by gently squeezing them out to the edges of the decal.



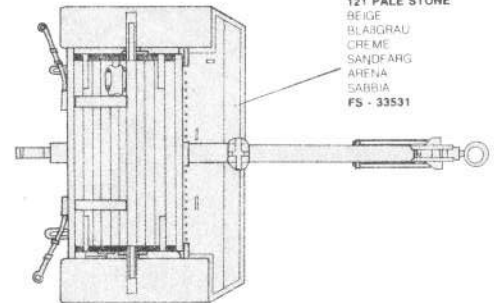
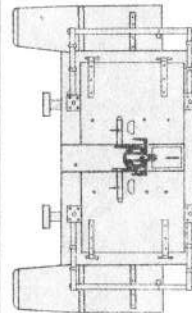


SAND
121 PALE STONE
BEIGE
BLAUGRAU
CRÈME
SANDFARB
ARENA
SABBIA
FS - 33531

BURNISHED METAL
53 GUN METAL
METAL BRUNI
BRUNIERTER METALL
EISENFARBIG 91
LIZERKLEUR
OXIDERAD METALL
METAL BRUNIDO
METALLO BRUNITO



BLACK
33 BLACK
NOIR
SCHWARZ
MAT ZWART
SVART
NERO
NERO
FS - 37038



SAND
121 PALE STONE
BEIGE
BLAUGRAU
CRÈME
SANDFARB
ARENA
SABBIA
FS - 33531

MORRIS QUAD



SPECIFICATION

GENERAL - DIMENSIONS

FORD

CREW: 6. A DRIVER, MATE, FOUR SERVANTS FOR THE 18/25 GUN.

ENGINE: MERCURY V8 PETROL ENGINE, BORE 3.19 IN., STROKE 3 3/4 IN., RAC RATING 32.5 HP.

TRACK FRONT: 5 FT. 8 1/4 IN.

TRACK REAR: 5 FT. 9 IN.

TURNING CIRCLE: 46 FT. 9 IN.

TURNING CIRCLE: 46 FT.

GROUND CLEARANCE - REAR AXLE 10 1/2 IN.

OVERALL LENGTH: 14 FT. 9 IN.

OVERALL WIDTH: 7 FT. 6 IN.

GROSS WEIGHT - UNLADEN: 3 TON 19 1/4 CWT.

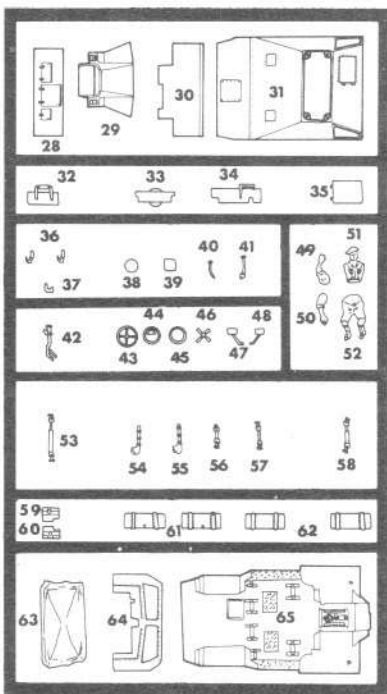
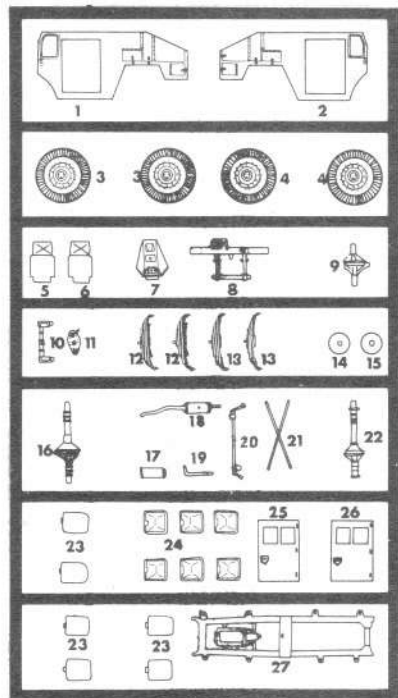
GROSS WEIGHT - LADEN: 5 TON 6 1/4 CWT.

1/72 SCALE

KIT 8321

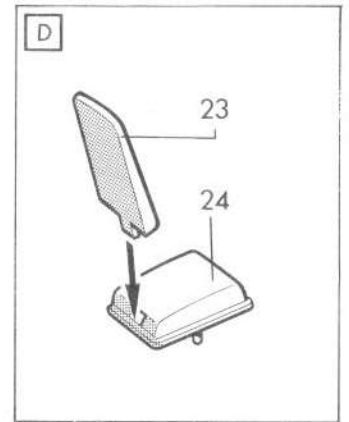
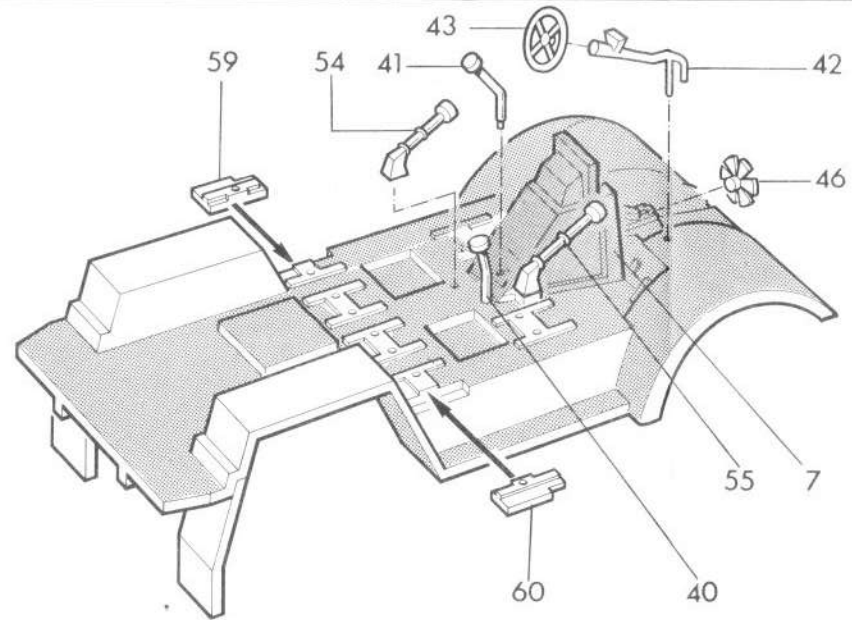
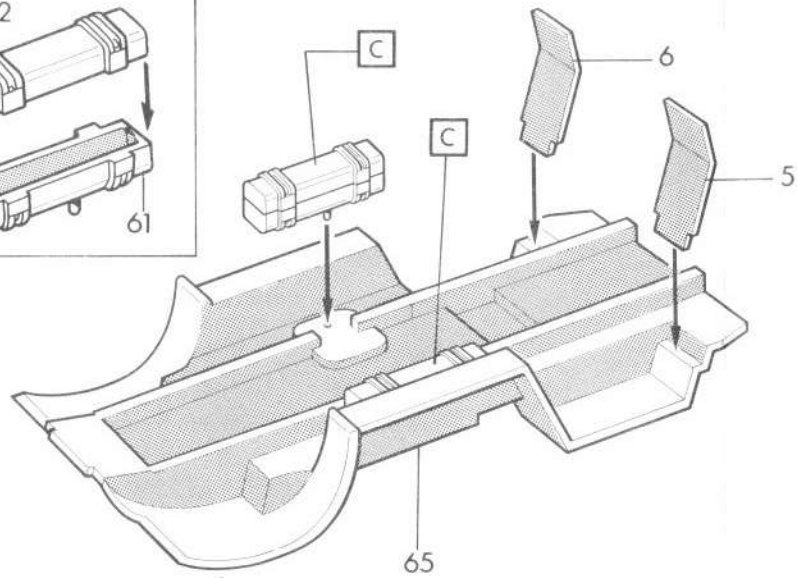
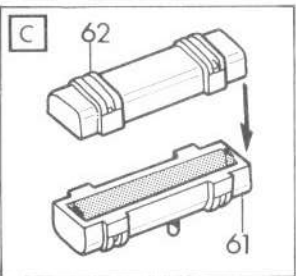
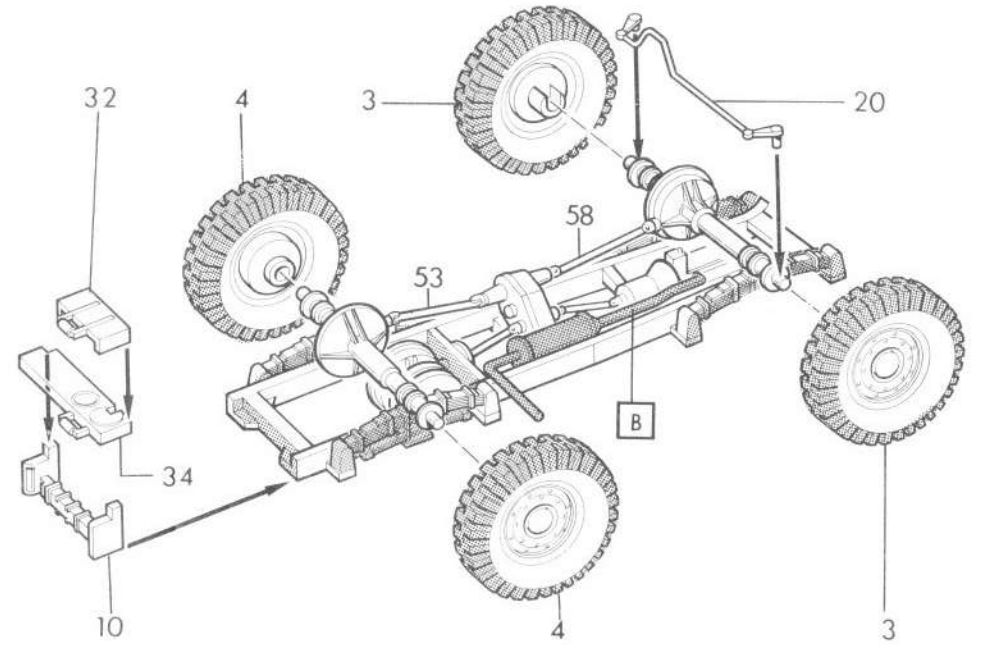
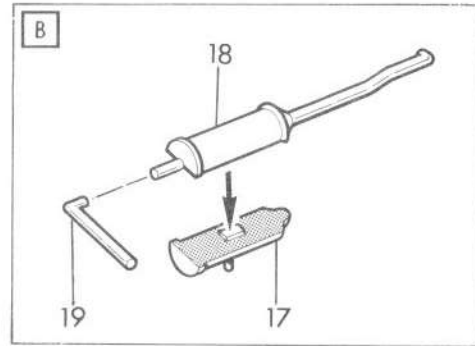
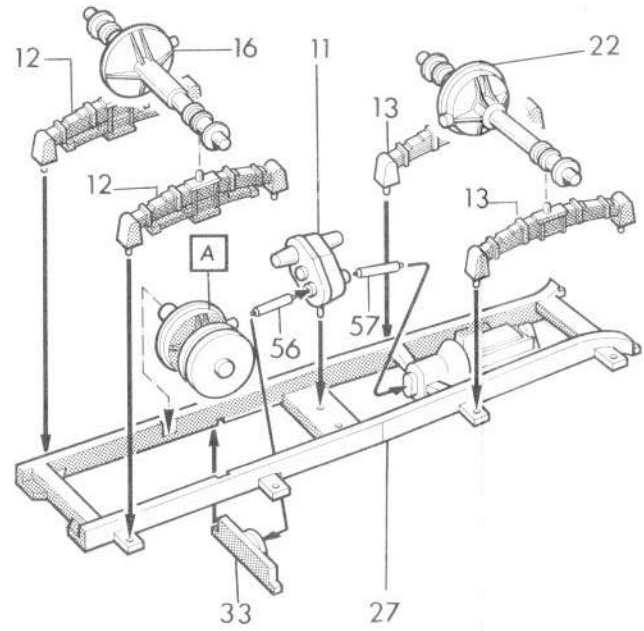
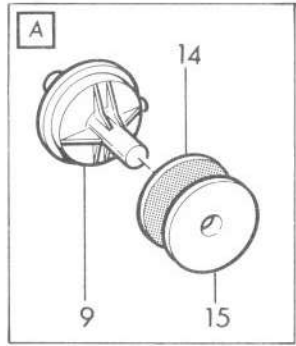


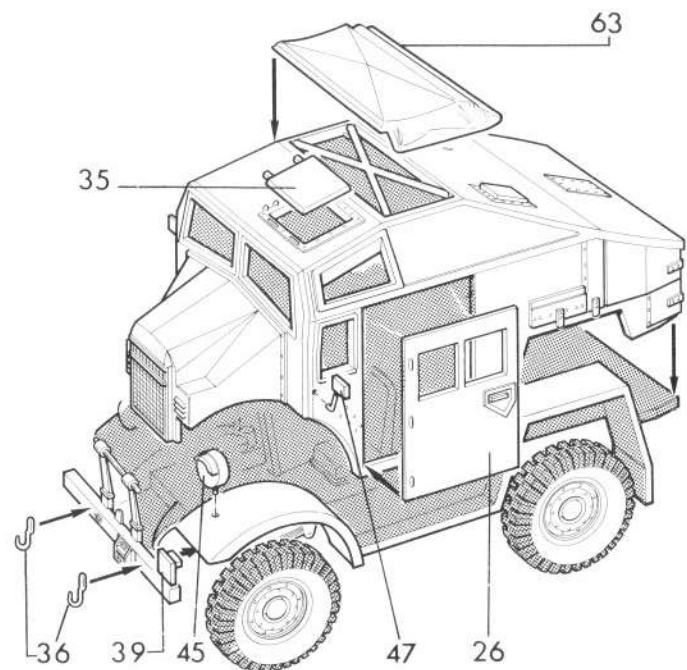
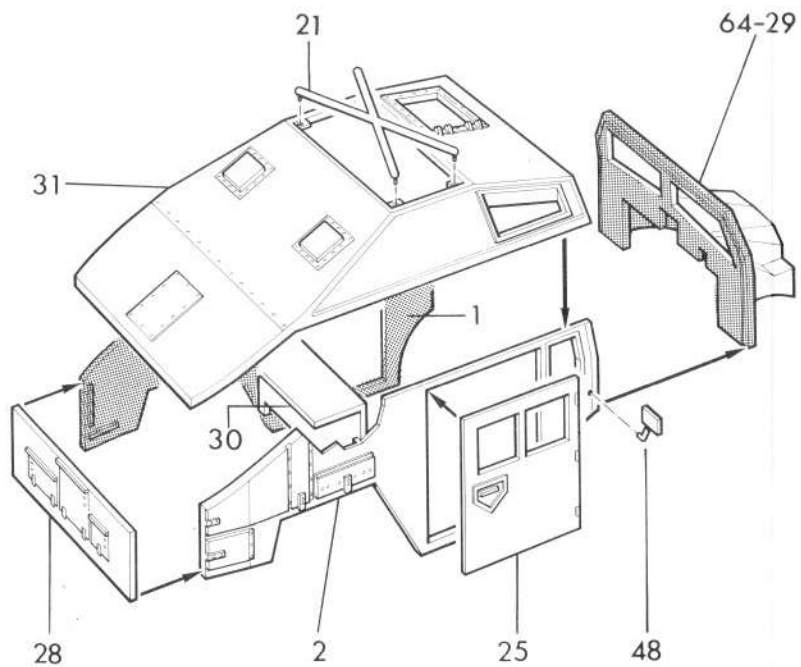
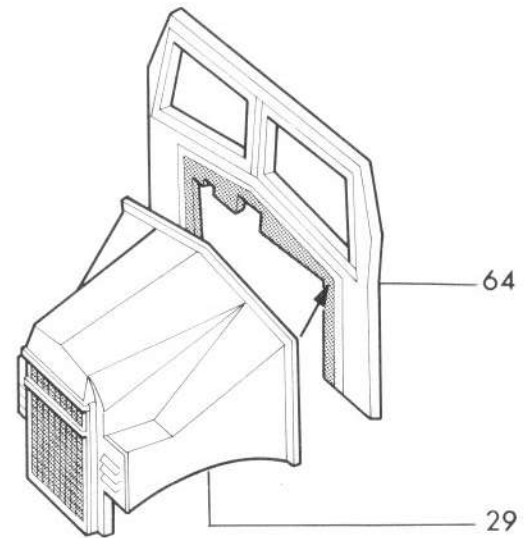
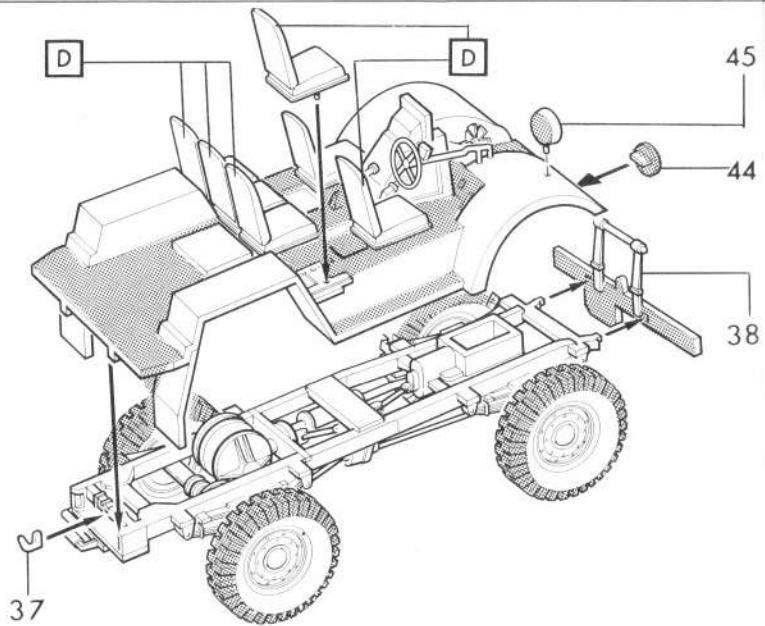
MADE IN ITALY

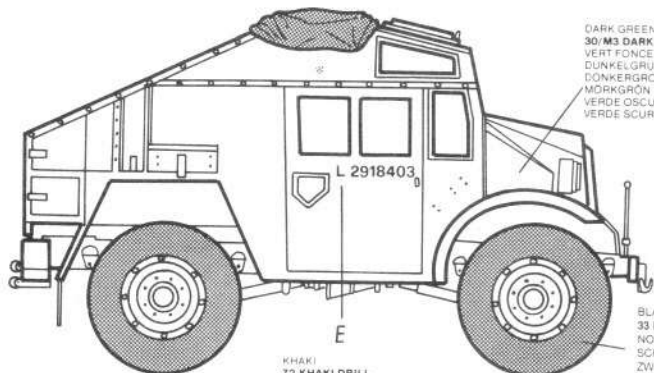


WARNING

Before starting to assemble the model, carefully examine the various assembly phases indicated in the drawings. Carefully remove the parts from the sprues using a razor blade or emery paper. Eliminate any burrs, check the fit of each piece before cementing in place. Before assembly, paint any internal parts of the model or parts which are difficult to get at once assembly has been made. Always follow the assembly order indicated on the tables and, in the case of alternative parts which make it possible to obtain different versions, always choose the version you prefer before assembly. **STEPS TO FOLLOW IN ATTACHING THE DECALS PROPERLY:** Cut out the subject you have chosen, being very careful to clip along its outlines so as not to leave any ragged edges. Soak it for a few seconds in warm water. Carefully separate it from its backing. Place the decal on the model. Remove all drops of water with a dry cloth. Any air bubbles which may have formed can be removed by gently squeezing them out to the edges of the decal.





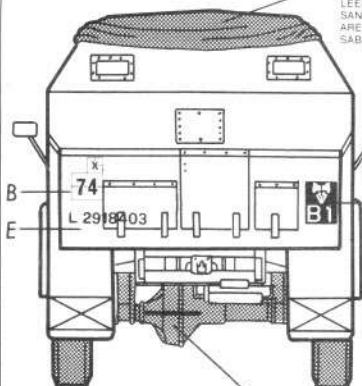


DARK GREEN
30/M3 DARK GREEN
VERT FONCE
DUNKELGRÜN
DÖNKELGRÖEN
MÖRKGRÖN
VERDE OSCURO
VERDE SCURO

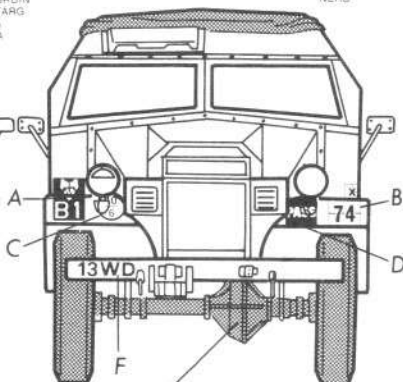
E

KHAKI
72 KHAKI DRILL
KAKI
SAND
LEEMBRUIN
SANDFÄRG
ARENA
SABBIA

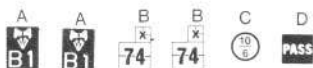
BLACK
33 BLACK
NOIR
SCHWARZ
ZWART
NEGRO
NERO



B
E



BURNISHED METAL
53 GUN METAL
METAL BRUNI
BRUNIERTER METALL
IJZERKLEUR
OXIDERAD METALL
METAL BRUNIDO
METALLO BRUNITO



L 2918403 E L 2918403 E 13WD F



L 5138453 L 5138453 15W9

E E F



C

D

E

F



MADE IN ITALY

BRITISH 8th ARMY SOLDIERS

art. P-207



FLESH
61 FLESH
CHAIR
FLEISCHFARBEN
HUDKLEUR
HUDFARGAD
COLOR DE CARNE
COLOR CARNE

SAND
HM 1 DESERT YELLOW
SABLE
SAND
MATT ZAND
SANDFARG
ARENA
SABBIA

KHAKI
HM 8 KHAKI DRILL
KAKI
SAND
LEEMBRUIN
SANDFARG
ARENA
SABBIA

KHAKI
HM 8 KHAKI DRILL
KAKI
SAND
LEEMBRUIN
SANDFARG
ARENA
SABBIA

LIGHT BROWN
MC 24 NATURAL WOOD
MARRON CLAIR
HELL BRAUN
VAALSBRUIN
LJUSBRUN
MARRON CLARO
MARRONE CHIARO

KHAKI
HM 7 KHAKI DRAB
KAKI
OLIVBRAUN
OLIJFBRUIN
OLIVBRUN
MARRON
CACHI

BROWN
MC 22 CHESTNUT B.
MARRON
BRAUN
BRUIN
BRUN
MARRON
MARRONE



KHAKI
HM 8 KHAKI DRILL
KAKI
SAND
LEEMBRUIN
SANDFARG
ARENA
SABBIA

+
DARK GREY
HM 6 FIELD GREY
GRIS FONCE
FELDGRAU
DONKERGRIJS
MÖRKGRÄ
GRIS OSCURO
GRIGIO SCURO

BURNISHED METAL
53 GUN METAL
METAL BRUNI
BRUNIERTER METALL
IJZERKLEUR
OXIDERAD METALL
METAL BRUNIDO
METALLO BRUNITO

BROWN
HM 19 DARK WOOD
MARRON
BRAUN
BRUIN
BRUN
MARRON
MARRONE



RESEARCH

RESEARCH

RESEARCH



RESEARCH

RESEARCH

RESEARCH



RESEARCH

QUAD GUN TRACTOR