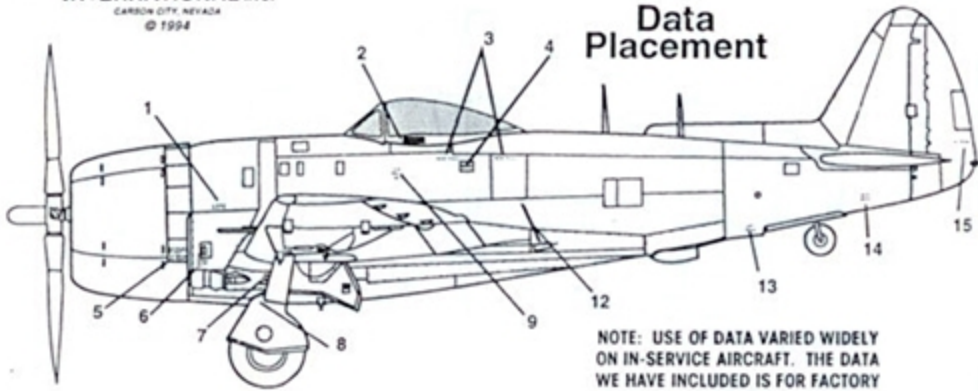
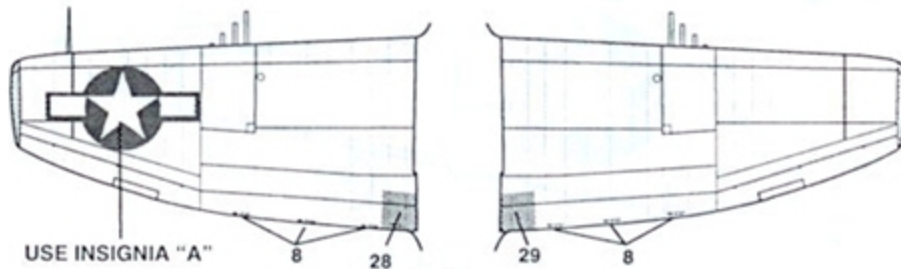
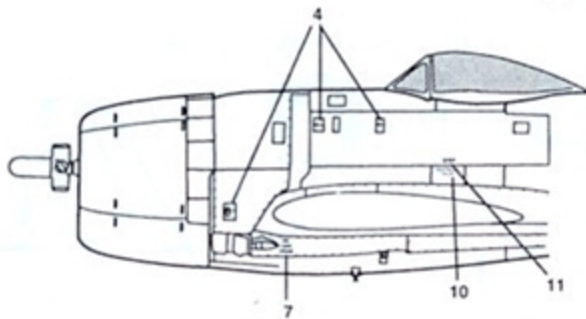
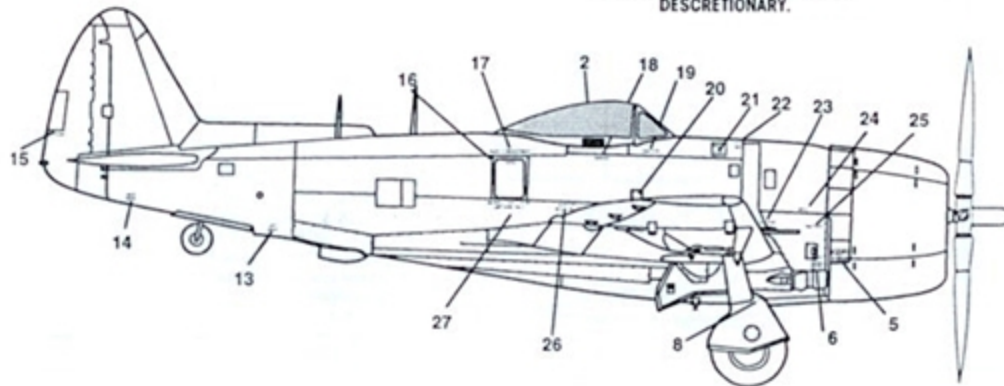


SuperScale Decal No.48-490 P-47N

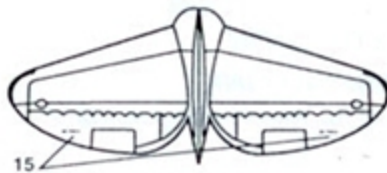
Data Placement



NOTE: USE OF DATA VARIED WIDELY ON IN-SERVICE AIRCRAFT. THE DATA WE HAVE INCLUDED IS FOR FACTORY AIRCRAFT, AND MODELER USE IS DISCRETIONARY.



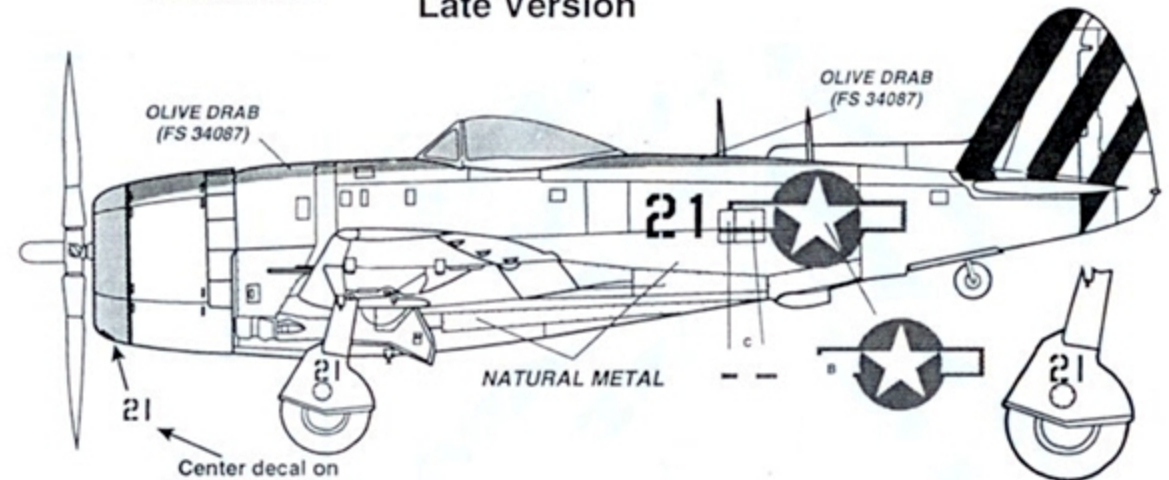
USE INSIGNIA "A"



2 Big and Too Heavy/Short Snorter

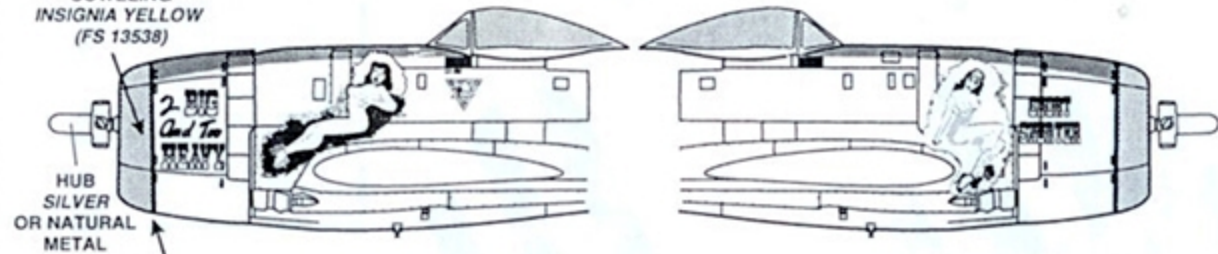
P-47N-5-RE 333rd Fighter Squadron, 318th Fighter Group
Ie Shima, 1945

Late Version



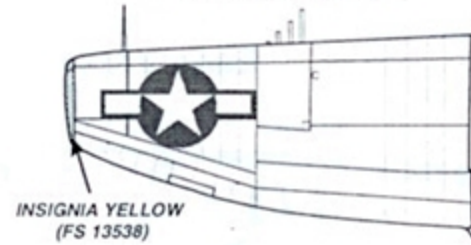
Center decal on front of cowling at this point

PAINT FRONT OF COWELING
INSIGNIA YELLOW
(FS 13538)

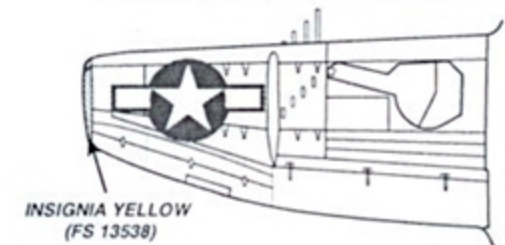


PAINT BLACK STRIPE,
OR USE SuperScale
DECAL PS-2 1/32
(1/32" Stripes Black)

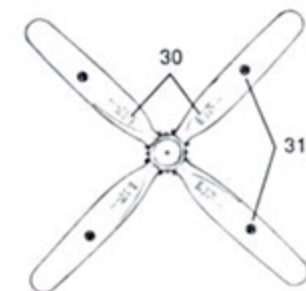
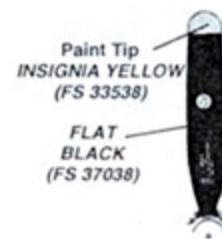
P-47N Port Wing Top



P-47N Starboard Wing Underside



Prop Detail



2 Big and Too Heavy/Short Snorter Late Version

Rudder and Horizontal Stabilizer Stripes



PAINT RUDDER AND
HORIZONTAL STABILIZERS
INSIGNIA YELLOW (FS 33538)
Apply Decal after painting



SuperScale Decal No.48-490 P-47N (part 2)

THE FOLLOWING ARE ACKNOWLEDGED FOR THEIR ASSISTANCE IN PRODUCING 2 BIG AND TOO HEAVY:

Norris Graser - Coordinator of Research

Dana Bell

John and Donna Campbell
WAR PAINT - Fighter Nose Art From WW II & Korea. *Motorbooks Intl., Osceola, WI (1990)*

Jim Crow

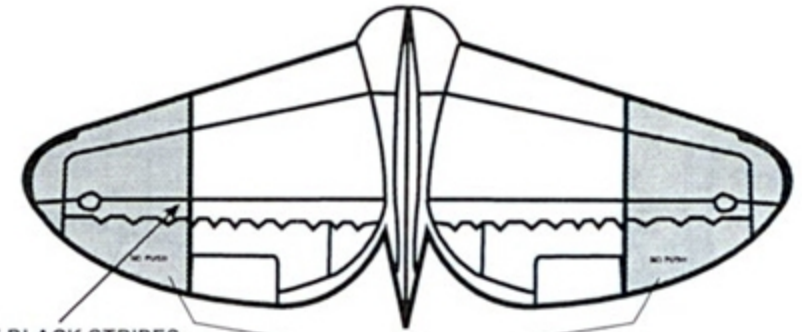
Jeffrey L. Ethell
WORLD WAR II NOSE ART IN COLOR. *Motorbooks Intl., Osceola, WI (1993)*

William N. Hess
P-47 THUNDERBOLT AT WAR. *Doubleday & Company, Inc. Garden City, New York (1976)*

Kenn C. Rust
SEVENTH AIR FORCE STORY *SunShine House, Terre Haute, IN (1979)*

Jim Weir

2 Big and Too Heavy/Short Snorter Early Version



PAINT BLACK STRIPES,
OR
USE SuperScale
DECAL PS-2 1/16
(1/16" Stripes Black)

PAINT RUDDER AND
HORIZONTAL STABILIZERS
INSIGNIA YELLOW (FS 13538)

PAINT BLACK STRIPE, OR
USE DECAL PROVIDED ON
THE SHEET



DECAL USE ON THE RUDDER IS OPTIONAL
If you wish to use them instead of painting
the stripes, then follow these directions:

- NOTE: Rudder stripes are oversize to fit variations rudder shapes among different model manufacturers.
1. Apply decal in normal manner to model in the location as shown.
ONLY APPLY ONE DECAL AT A TIME!
 2. After decal has dried, wipe the trailing edge very lightly with 600 grit wet and dry sandpaper to give a perfect cut.

PAINT FRONT OF COWELING
INSIGNIA YELLOW
(FS 13538)

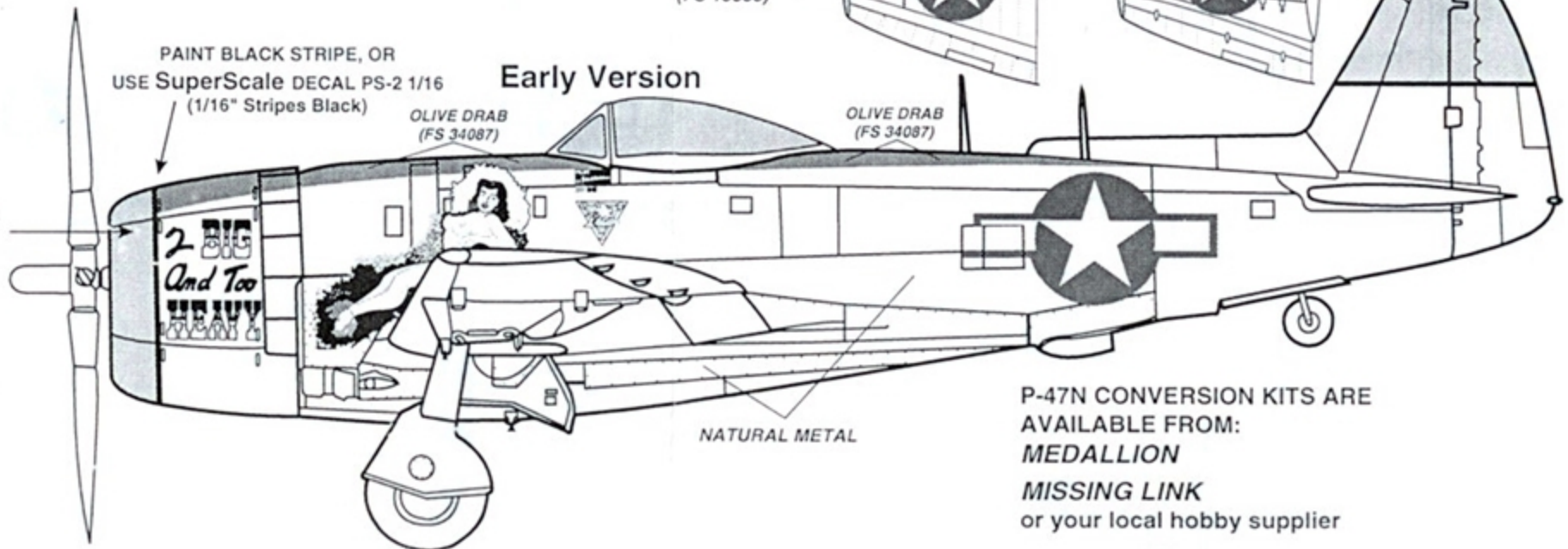
PAINT BLACK STRIPE, OR
USE SuperScale DECAL PS-2 1/16
(1/16" Stripes Black)

OLIVE DRAB
(FS 34087)

Early Version

OLIVE DRAB
(FS 34087)

NATURAL METAL



P-47N Port Wing Top

P-47N Starboard Wing Underside

INSIGNIA YELLOW
(FS 13538)

P-47N CONVERSION KITS ARE
AVAILABLE FROM:
MEDALLION
MISSING LINK
or your local hobby supplier