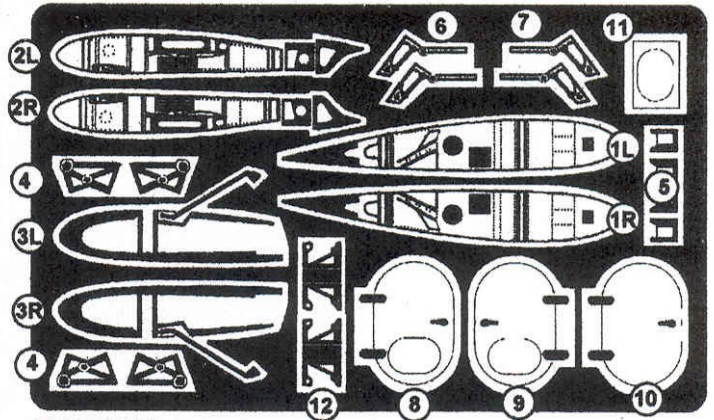


This Detail set is manufactured from photo - etched brass sheet and is for the Tamiya 1/48 scale model kit. Etched brass should be thoroughly cleaned by gently wiping with a solvent such as White Spirit and primed for painting. To separate parts, support fret on a firm surface, (i.e., a small sheet of glass or a plain ceramic tile) and cut as near to the part as possible using a sharp blade. To fold part use Airwaves Folding Tool AM022 for a good and even fold. For fixing parts, use Cyanoacrylate Adhesive (Superglue) or Epoxy resin.

H G Hannant Ltd, Harbour Road, Oulton Broad
Lowestoft, Suffolk, NR32 3LZ, England.
Tel : 01502 517444, Fax : 01502 500521



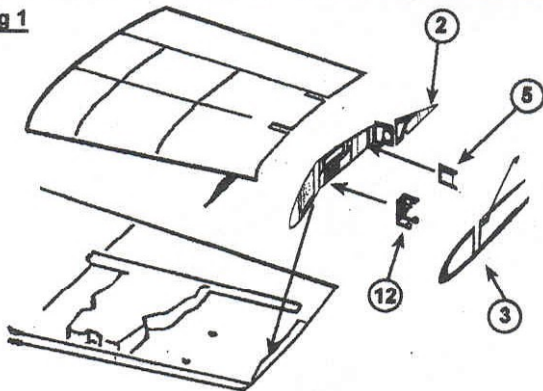
General Notes

1. The general colour scheme adopted for the interior of the wing fold joints was usually the same as the exterior underside scheme, with natural metal pipelines and black cables.
2. Two sets of doors / windows have been included in this set so that conversions to the AD-4N and AD-4Q can be modelled. These etched plates may be either used as templates for engraving or fitted directly onto the external surface of the aircraft. Refer to Figures 5 and 6 for location details.

For further helpful hints to using etched brass and for full details of the extensive Airwaves range, get a copy of the latest Airwaves catalogue.

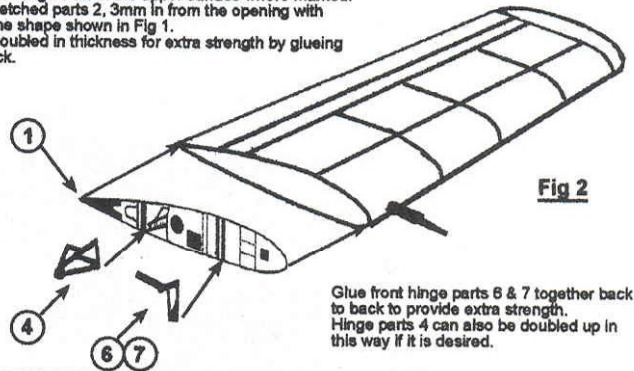
WING FOLD JOINT FRAME ASSEMBLY

Fig 1



Divide each wing along the engraved fold line on the upper and lower surfaces. Cut out the hinge slots in the upper surface where marked. Fit the inner plates, etched parts 2, 3mm in from the opening with the plate folded to the shape shown in Fig 1. Brackets 5 can be doubled in thickness for extra strength by glueing together back to back.

Fig 2



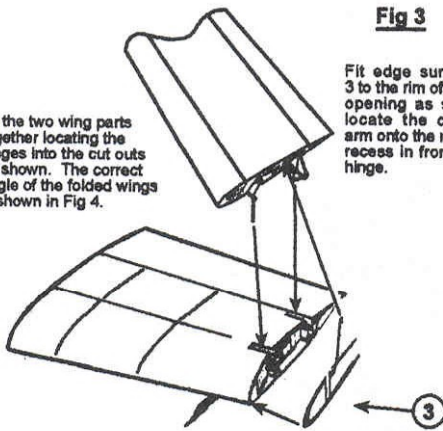
Glue front hinge parts 6 & 7 together back to back to provide extra strength. Hinge parts 4 can also be doubled up in this way if it is desired.

WING FOLD ATTACHMENT

Fig 3

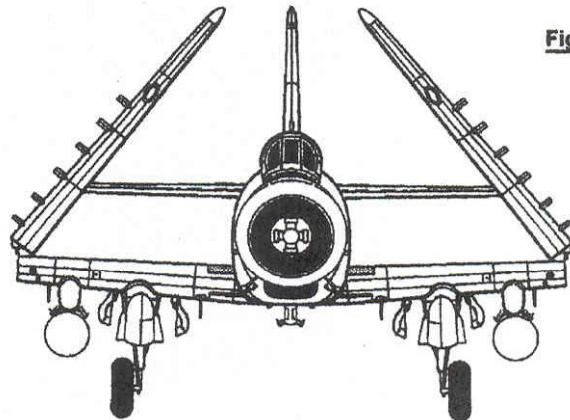
Fit the two wing parts together locating the hinges into the cut outs as shown. The correct angle of the folded wings is shown in Fig 4.

Fit edge surround part 3 to the rim of the opening as shown and locate the control rod arm onto the relief etched recess in front of the aft hinge.



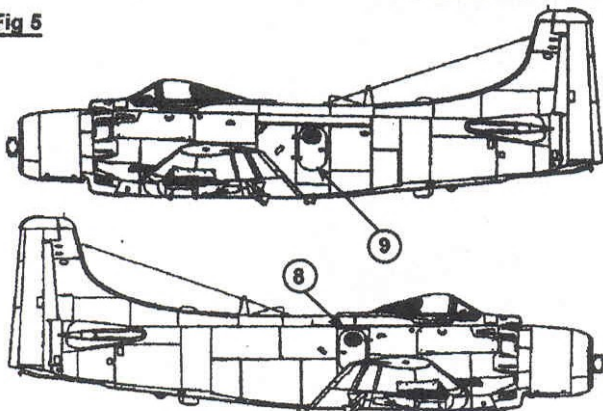
FOLDED WING POSITION

Fig 4



CABIN DOOR POSITION AD-4N

Fig 5



CABIN DOOR POSITION AD-4Q

Fig 6

