

# Modern US M1A2 SEP w/TUSK II Abrams

## 现代美军 M1A2 SEP w/TUSK II 豪华改造件

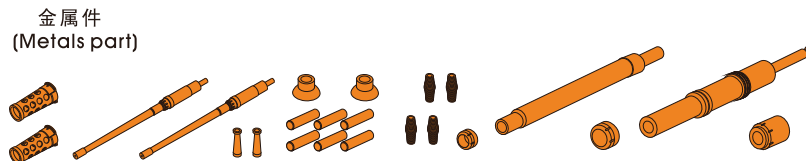
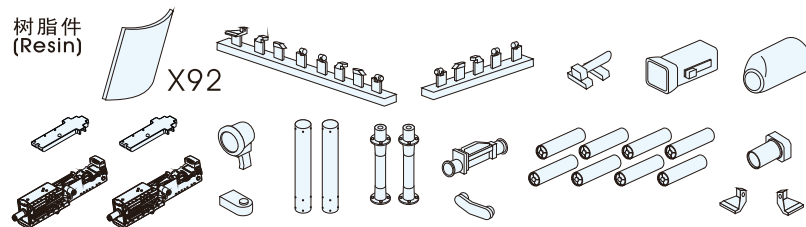
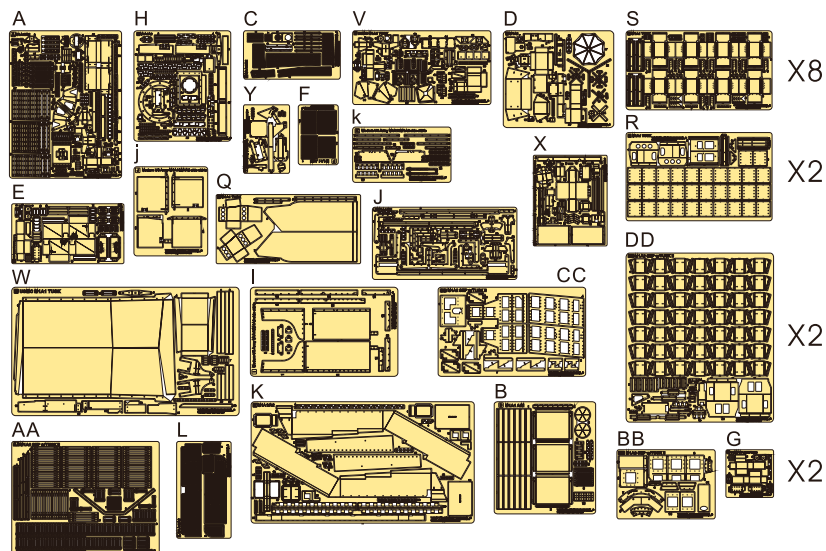
This upgrade set is dedicated for use with Modern US M1A2 SEP w/TUSK II (DROGON). It may be used on other versions or brands, but to do so can cause waste of parts exclusively designed for this specific kit and/or fitting problems.

Please read this instruction thoroughly before start assembly and fully understand each construction sequence to ensure best result.

Photo-etch and resin parts contain sharp edges that may cause body injury. Take safety measurements when necessary.

本套件专门为威龙(DROGON)出品的现代美军 M1A2 SEP w/TUSK II 所设计。如用于其他型号或品牌的模型产品可能导致部分零件无法使用并引起配合不良。

开始组装前请认真阅读本说明书，透彻理解每一步骤的组合顺序以确保最佳完成效果。蚀刻片及树脂零件含有尖锐的边角，可能导致人身伤害。制作时请采取必要的安全措施。



- ↑  
安装  
install
- ↶  
折叠  
bend
- A1  
改造件零件编号  
PE/resin part number
- B12  
原零件编号  
kit part number
- G22  
被替换的原零件编号  
replaced kit part number
- ◀▶  
另一侧相同制作  
repeat on opposite side
- ↻  
弧度卷曲  
radial bending
- ✂  
切除  
remove
- 🔪  
打磨  
grind off
- ⚠  
注意  
caution
- x2  
制作若干组  
multiple assembly
- ↔  
选择安装  
alternative
- 🔧  
钻孔  
drill
- ⬇  
用尖端在凹槽处冲压  
use penpoint to press on the dent
- 🔩  
用铜管制作  
make from brass tube

- 铜丝(Copper wire)/0.7mm X 10cm x 9
- 铜丝(Copper wire)/0.7mm X 15cm x 7
- 铜缆(Copper cable)/0.5mm X 20cm x 1
- 胶棒(A.BS rod)/0.5mm x 5cm x 4
- 胶棒(A.BS rod)/0.5mm x 5cm x 1
- 钢丝(Steel wire)/0.3mm X 8cm x 2

■ 推荐使用工具 RECOMMENDED TOOLS



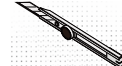
快干胶  
Super glue



尖嘴钳  
Needle nose pliers



镊子  
Tweezers



美工刀  
Craft knife

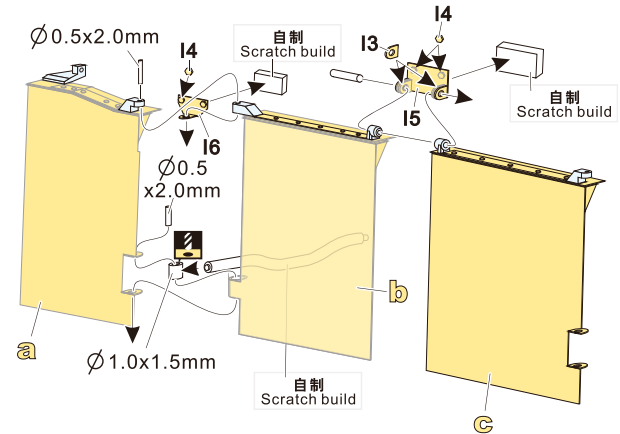
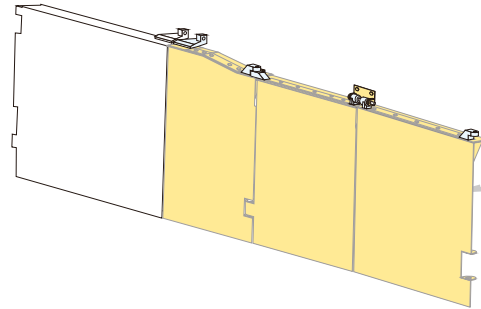
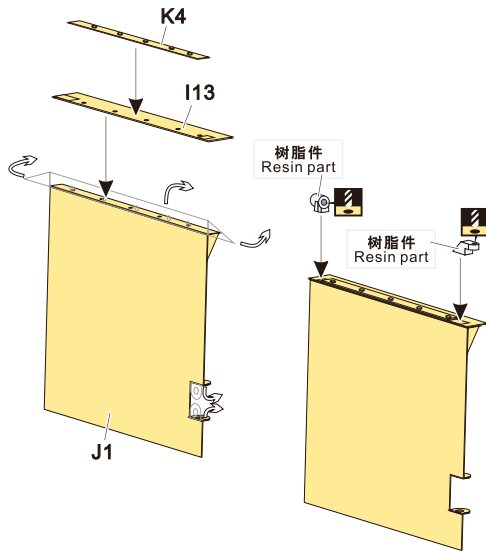
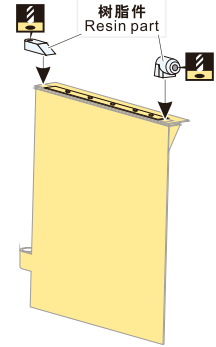
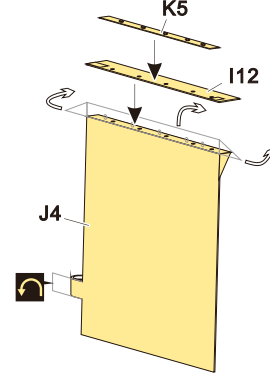
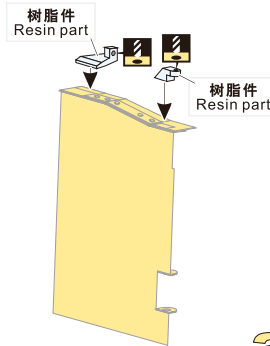
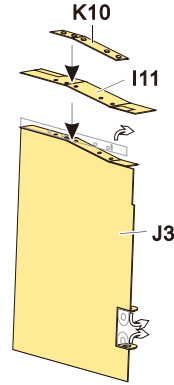
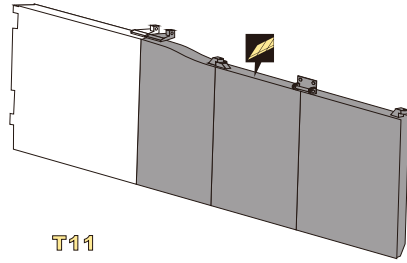


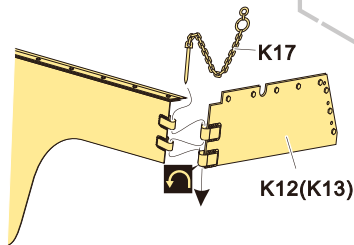
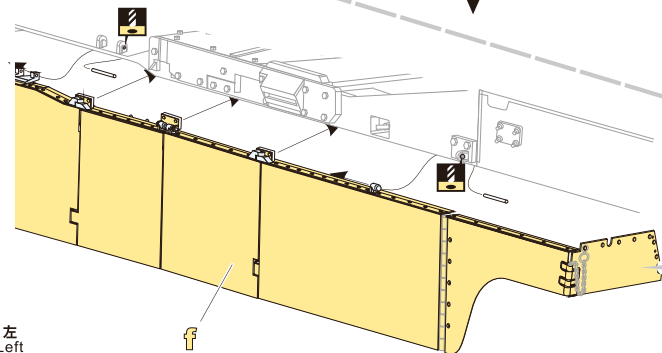
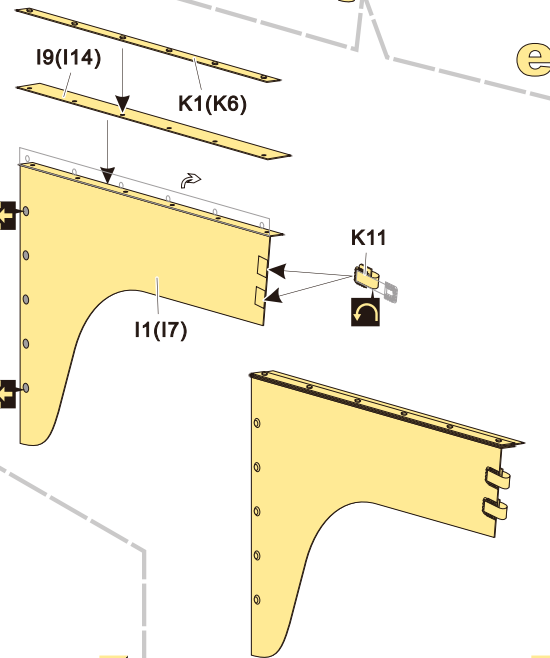
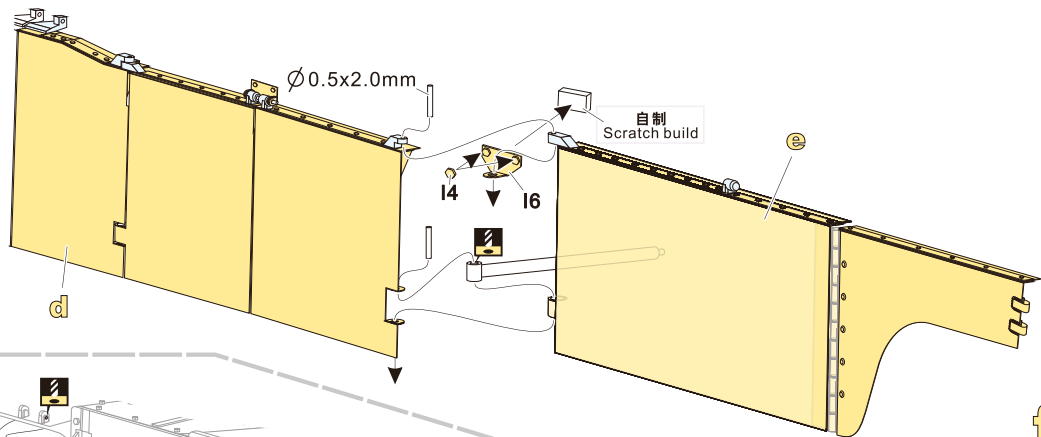
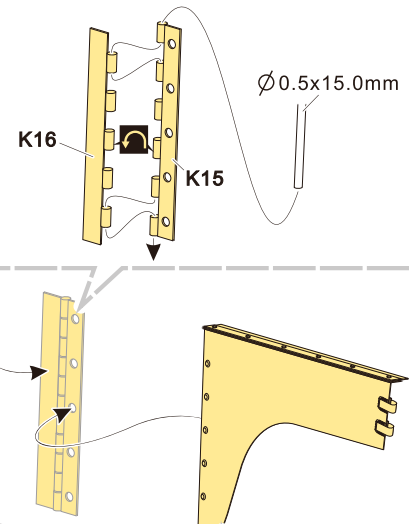
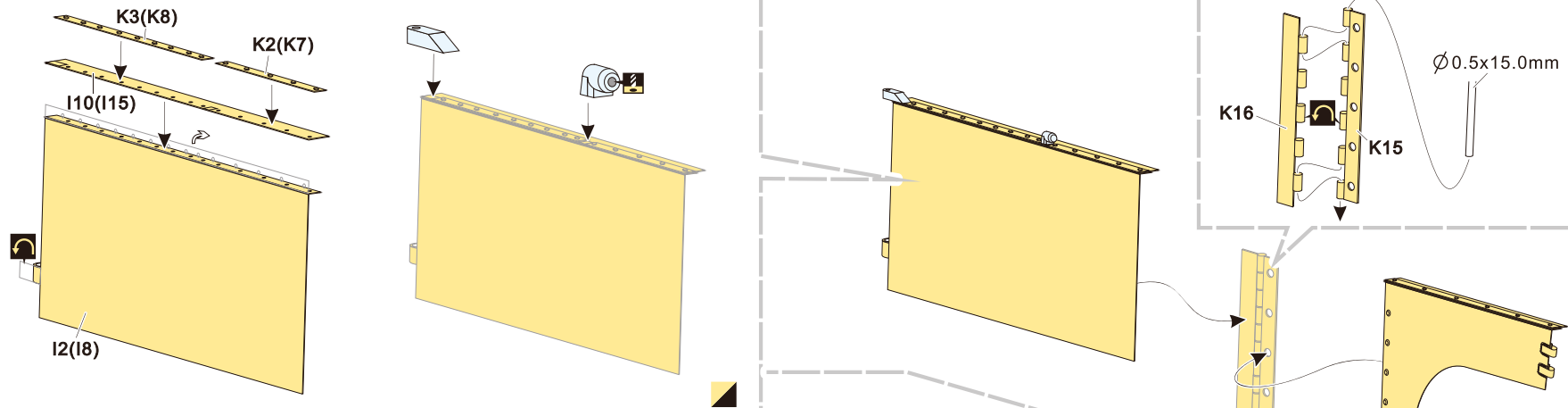
笔钻  
pin vice

制作线圈  
make coil



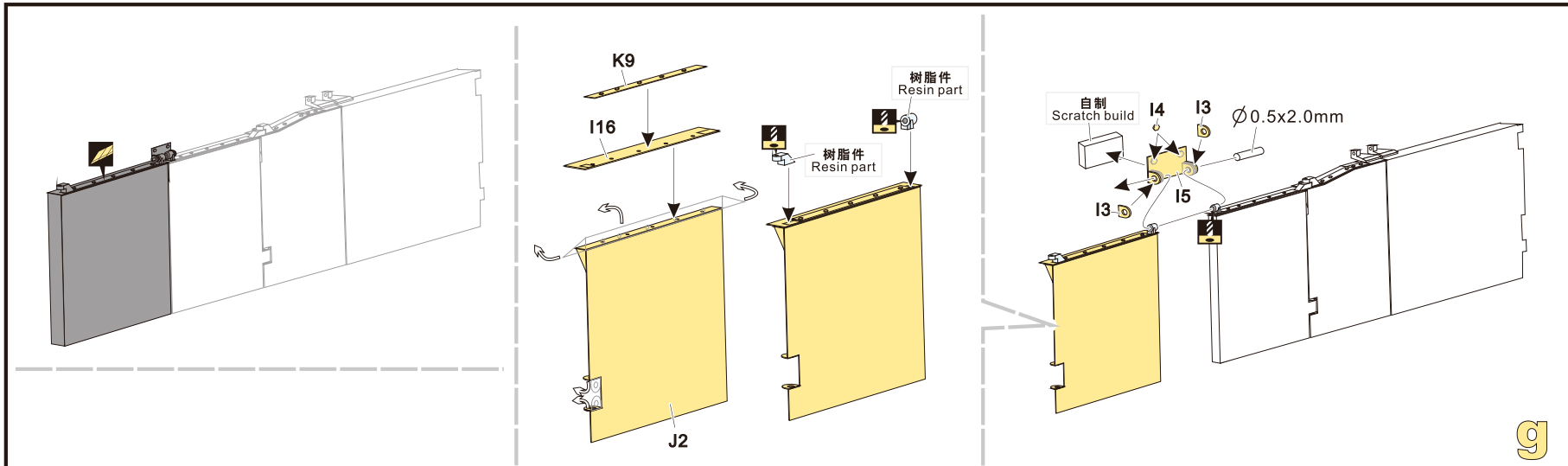
1





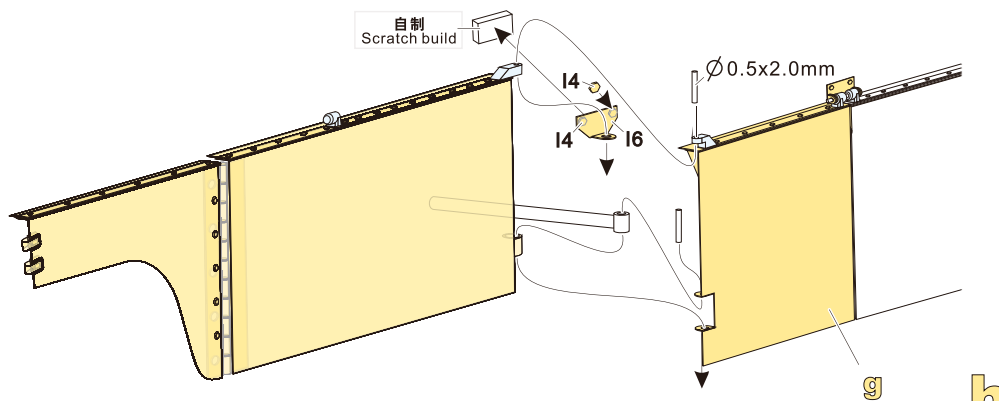
左  
Left

2



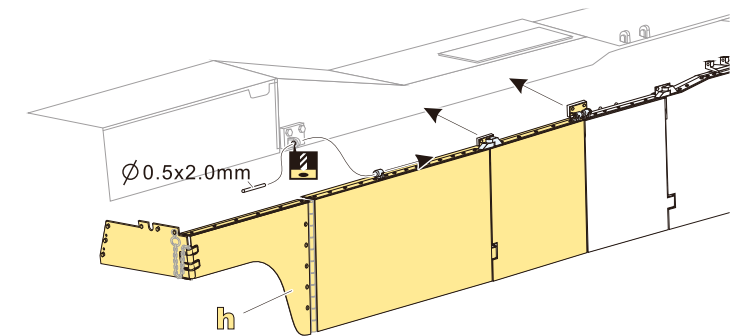
g

3

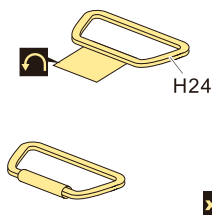


g

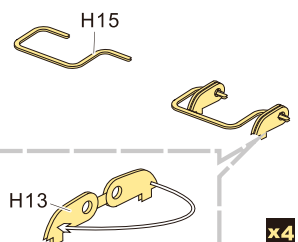
h



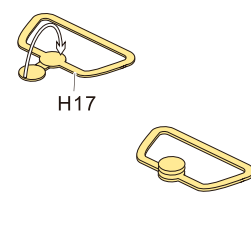
右  
Right



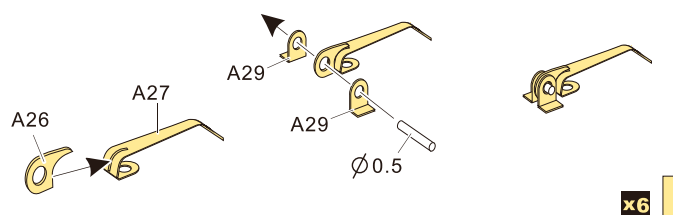
x8 i



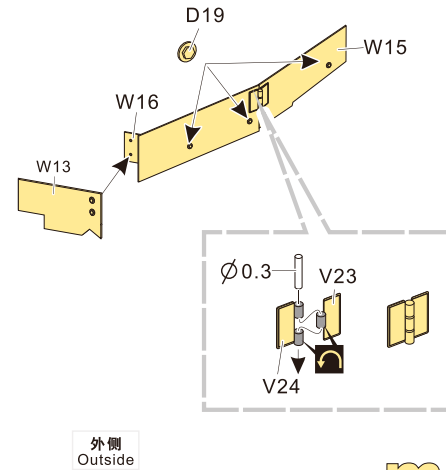
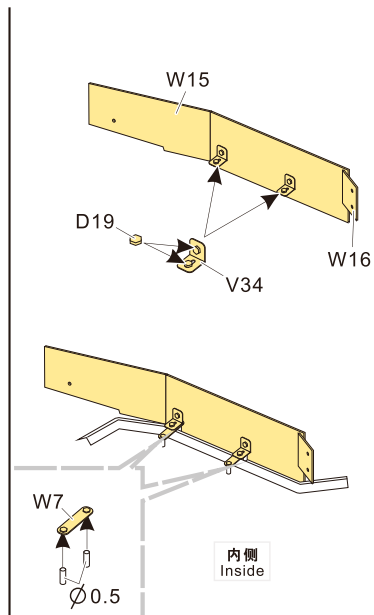
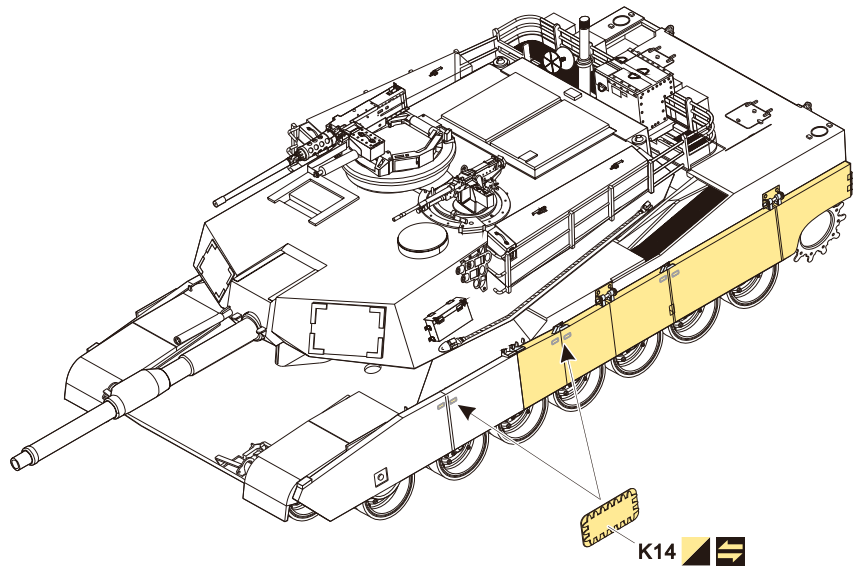
x4 j



x7 k

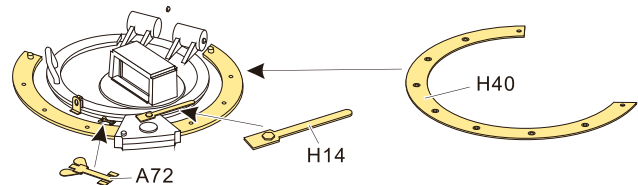
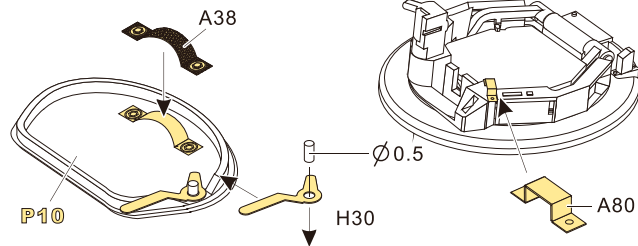
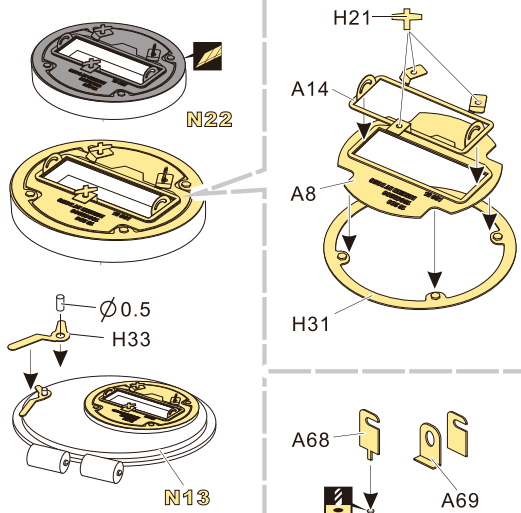


x6 l

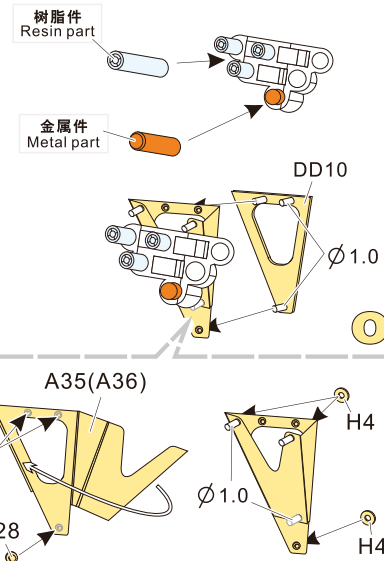


m

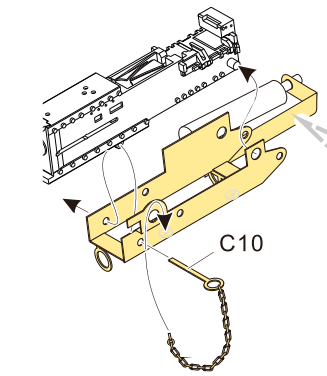
4



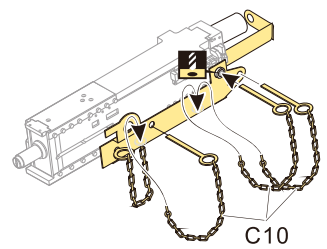
n



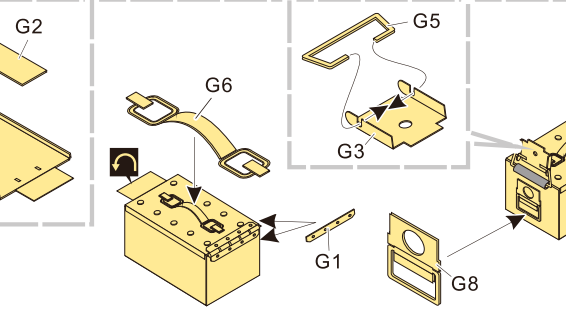
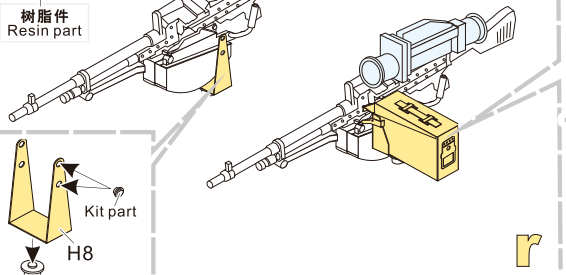
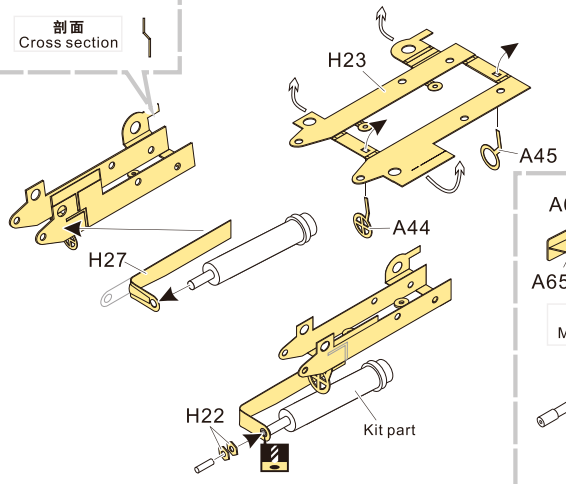
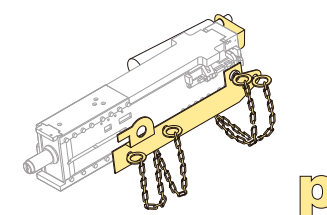
剖面  
Cross section



C10



C10



A56

A2

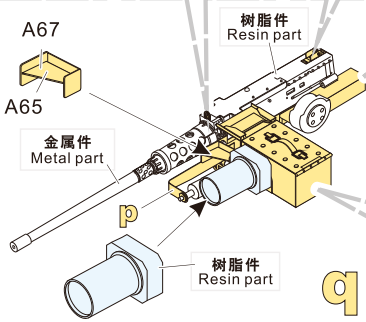
A5

自制  
Scratch build

A3

A4

Kit part



树脂件  
Resin part

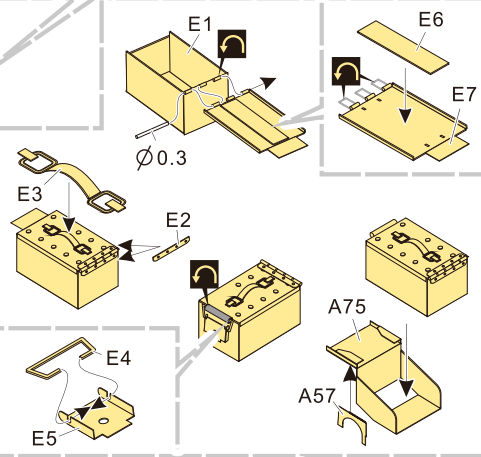
A67

A65

金属件  
Metal part

树脂件  
Resin part

q



E1

Ø0.3

E3

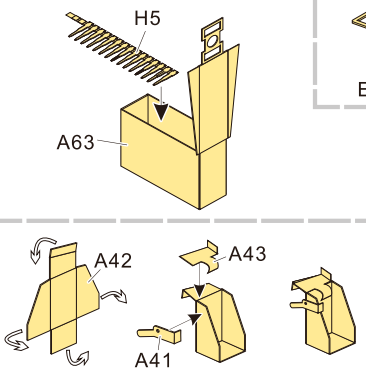
E2

E6

E7

A75

A57



H5

A63

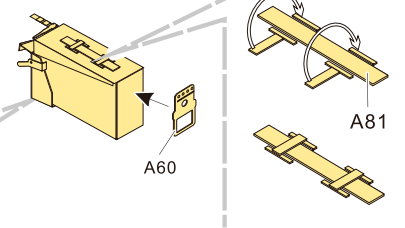
A42

A43

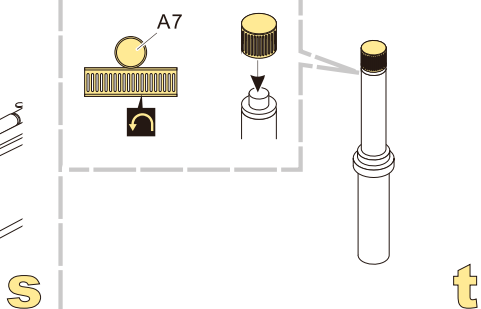
A41

A60

r



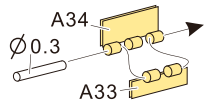
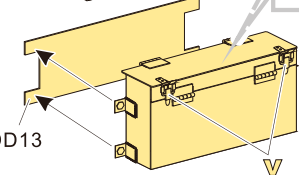
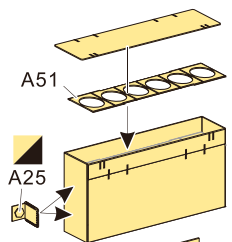
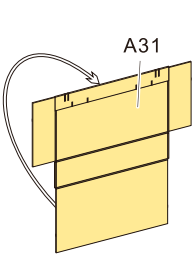
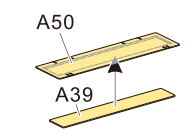
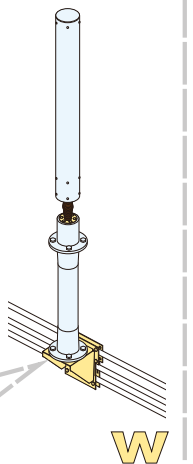
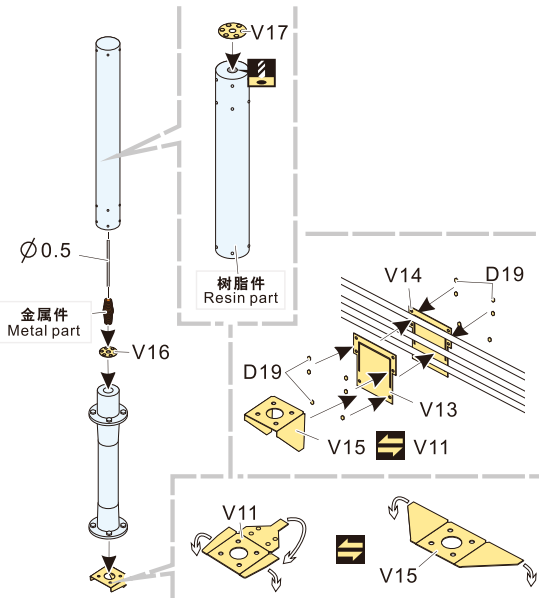
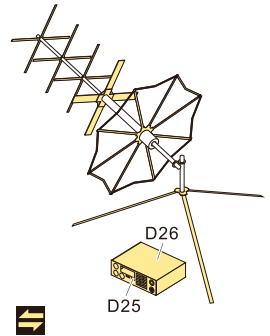
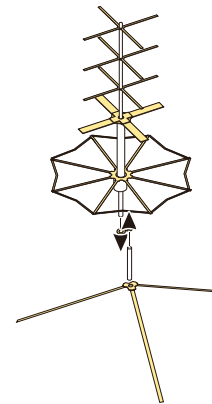
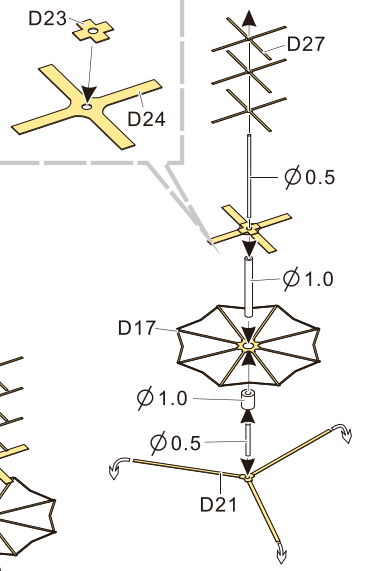
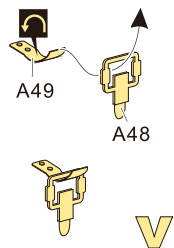
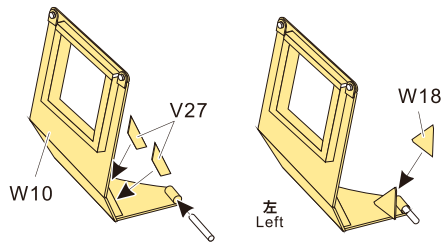
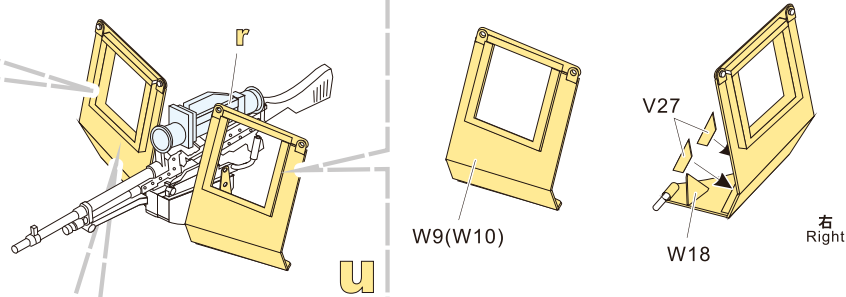
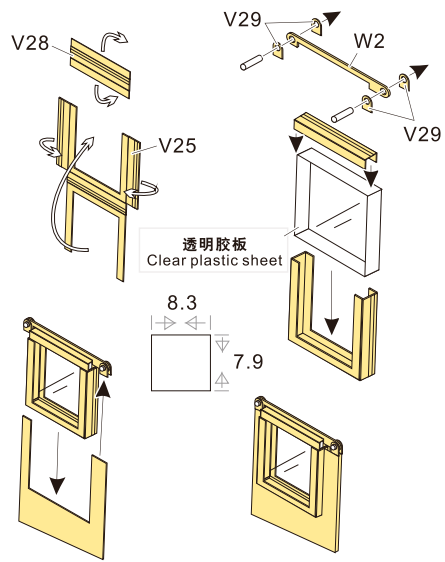
A81



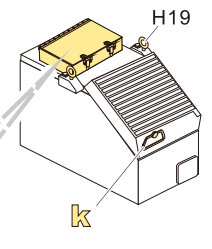
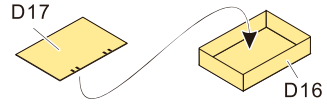
A7

s

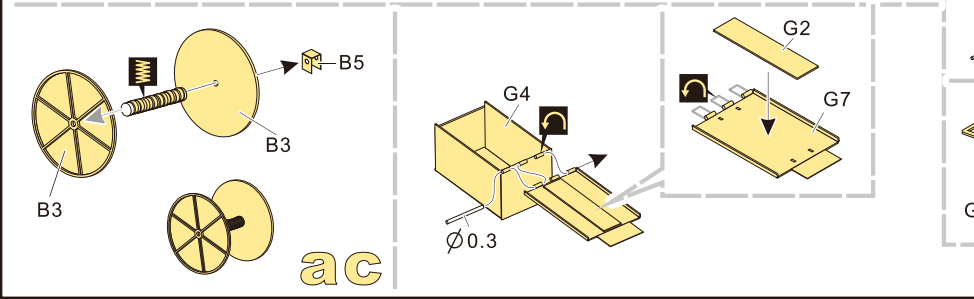
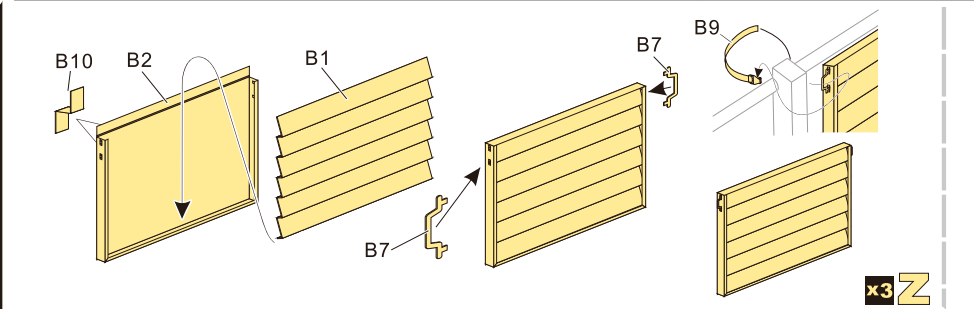
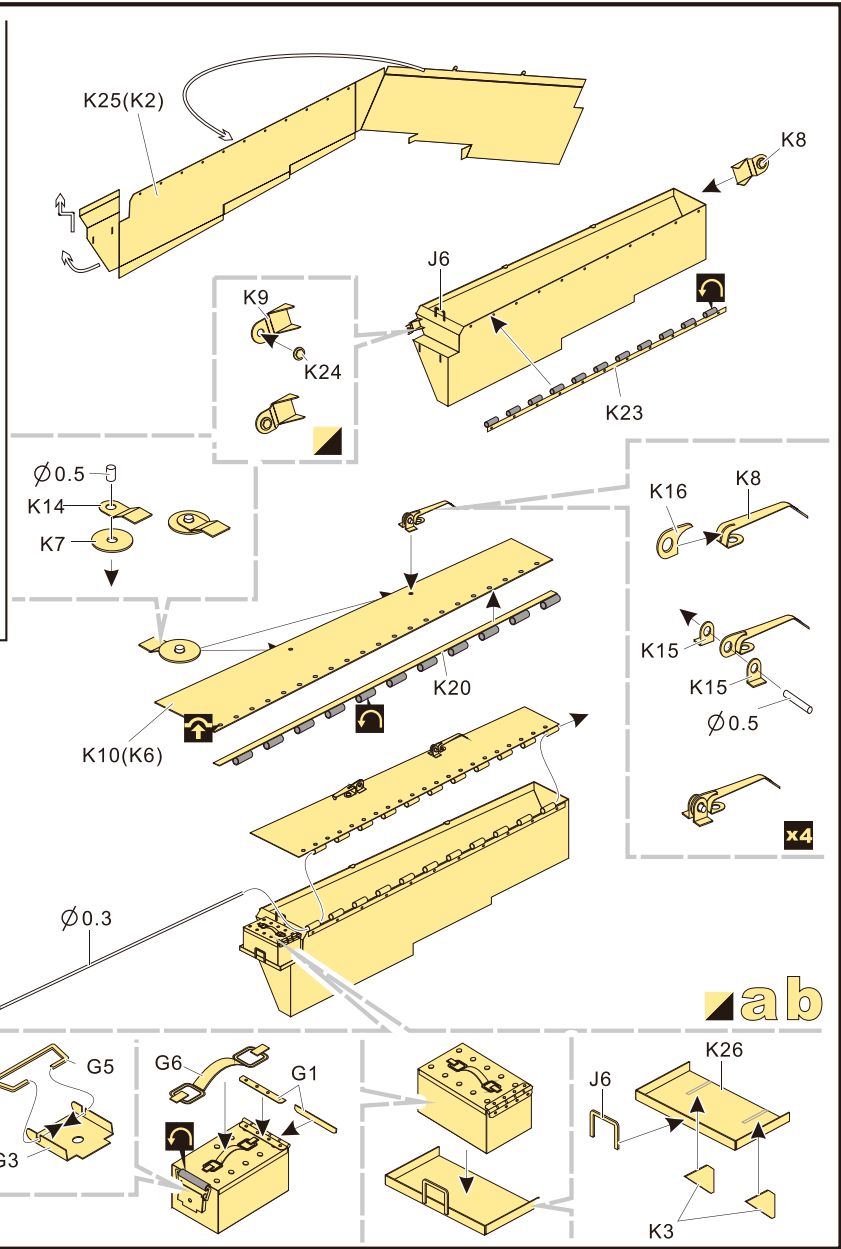
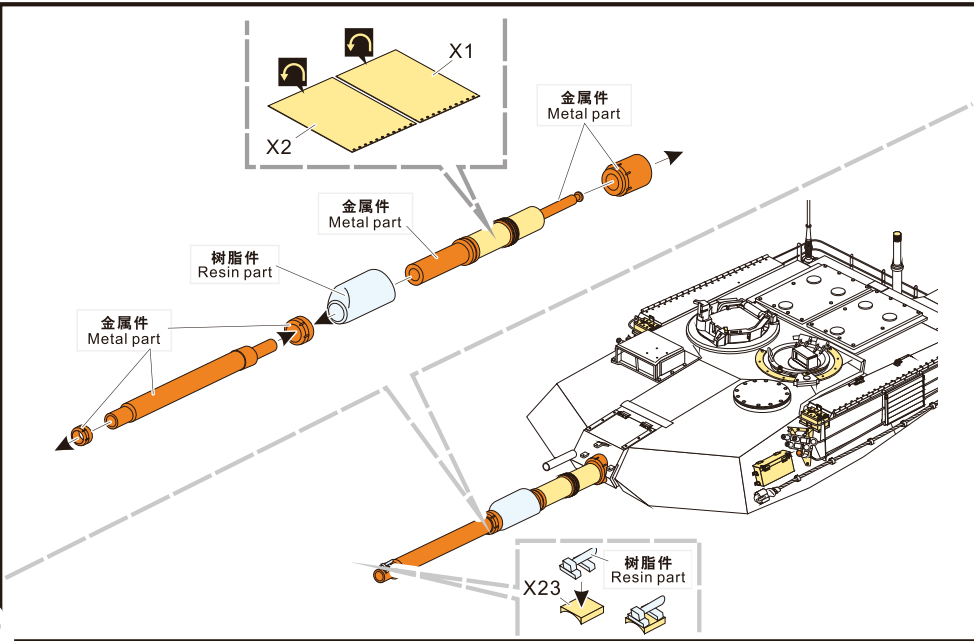
t



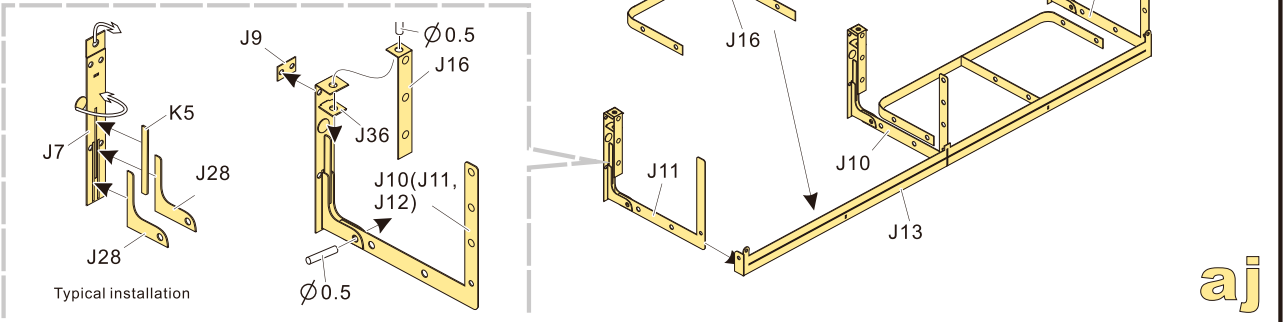
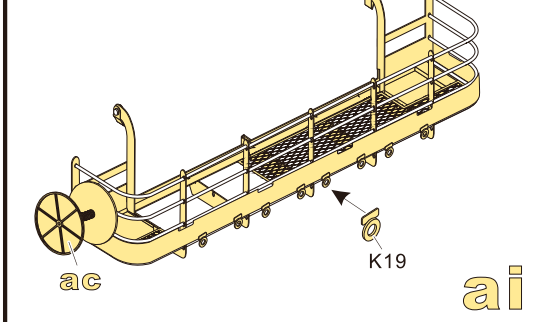
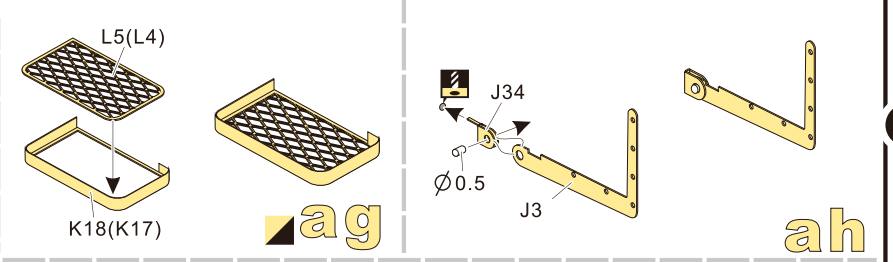
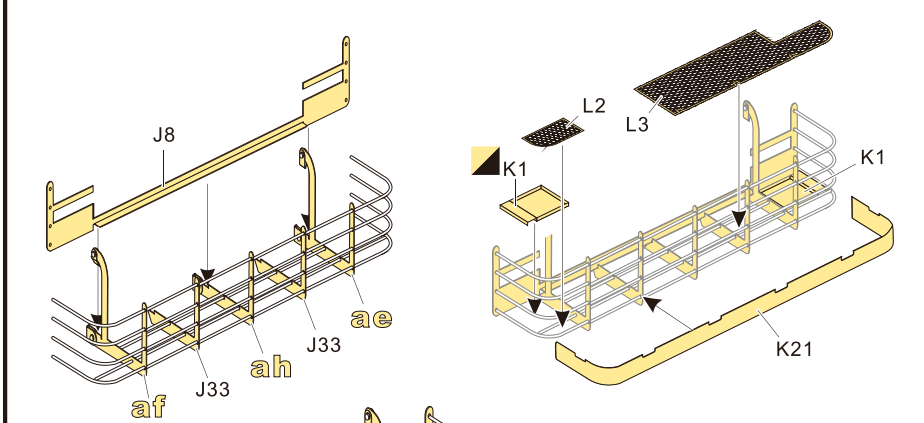
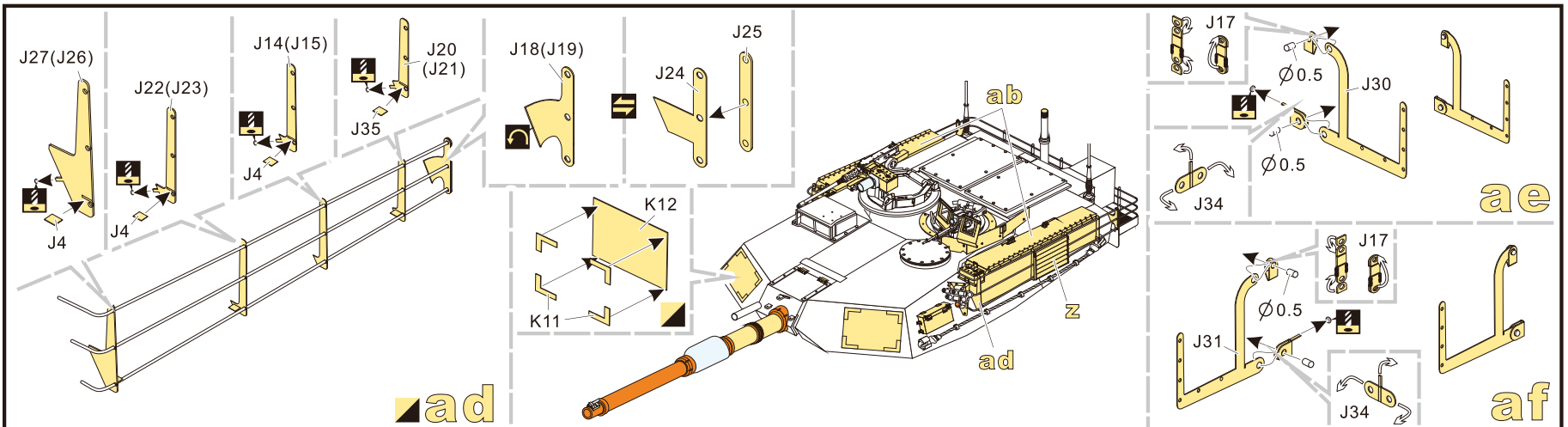
x2 X

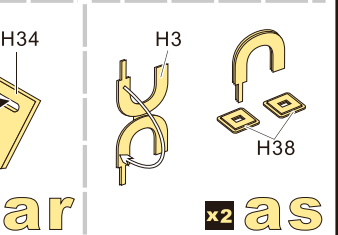
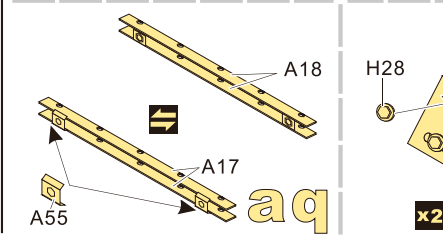
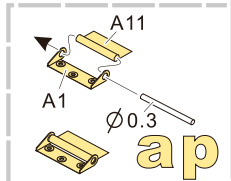
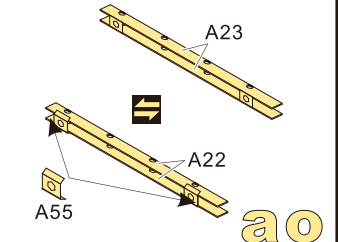
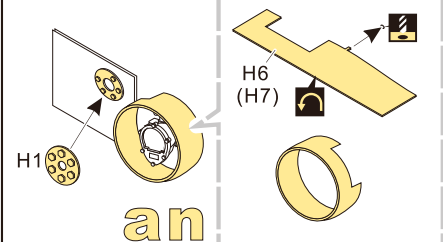
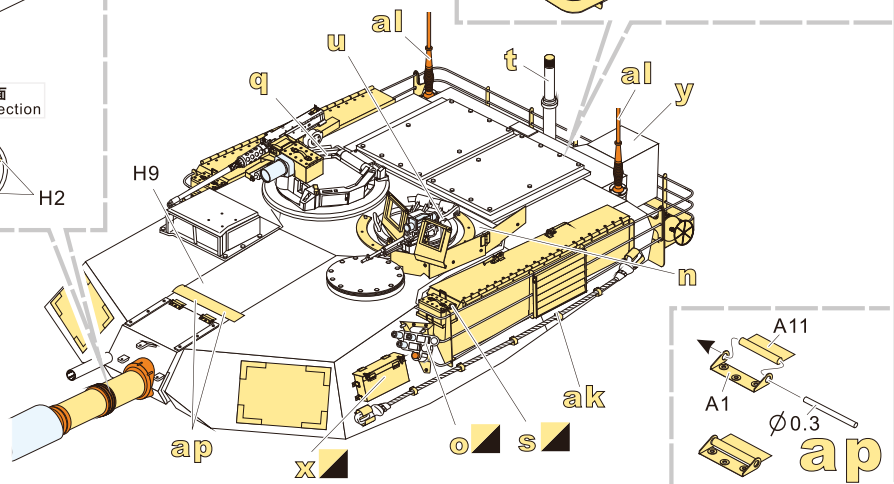
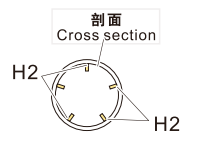
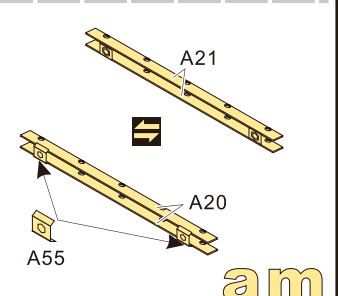
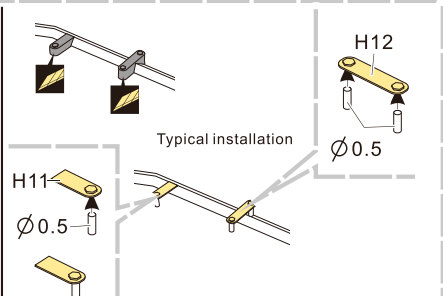
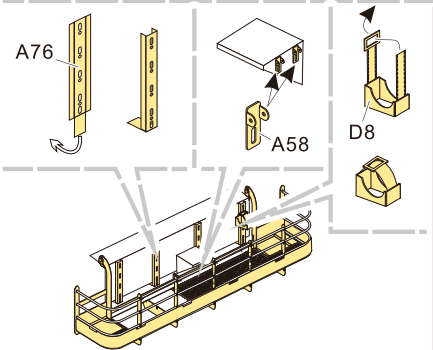
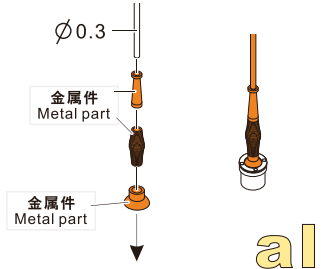
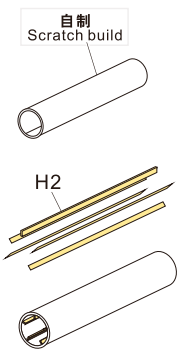
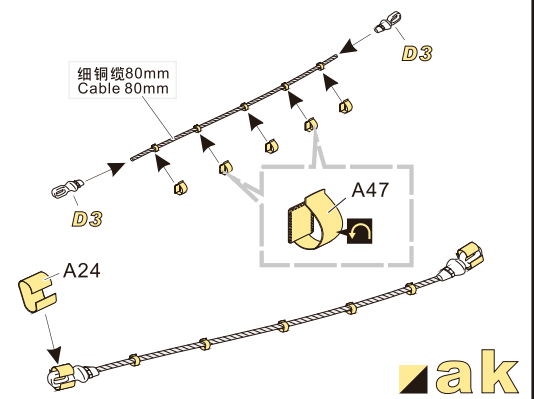
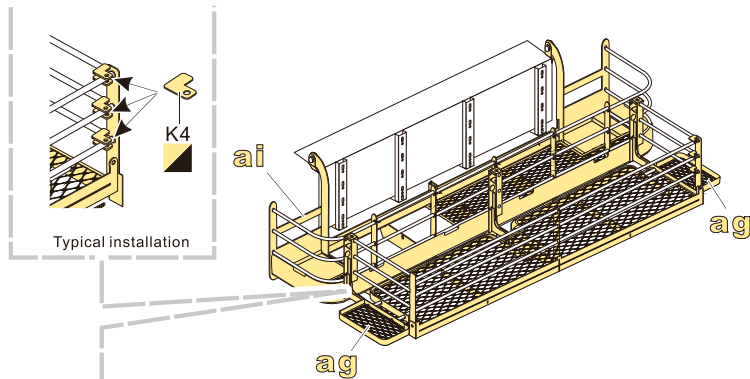
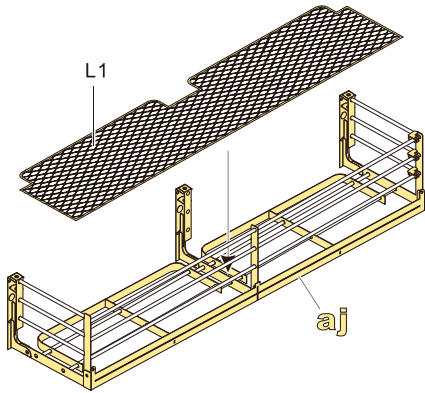


7

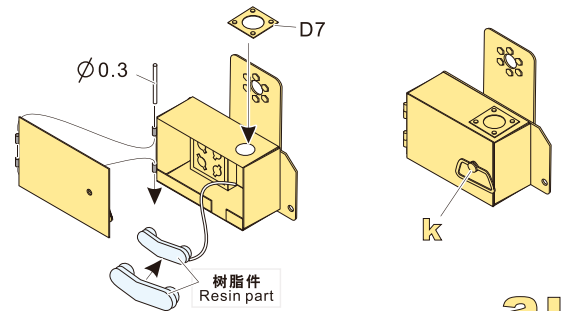
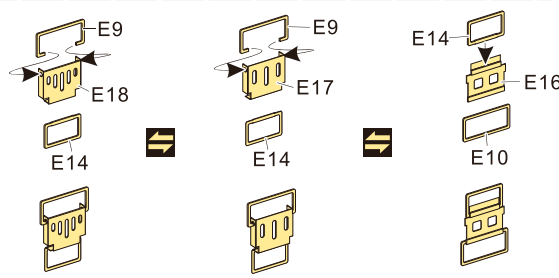
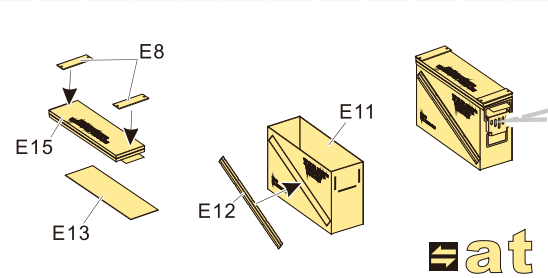
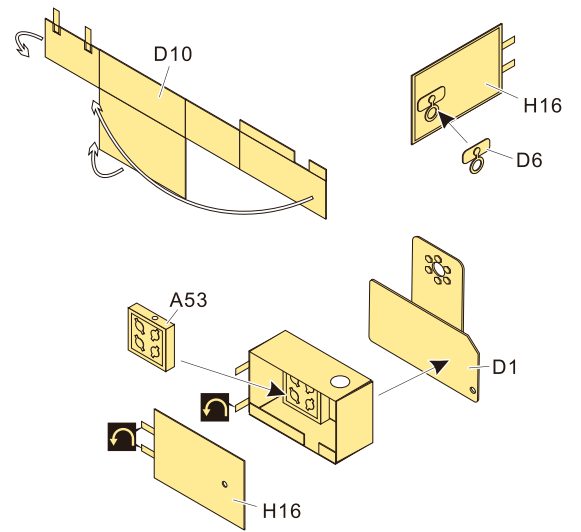
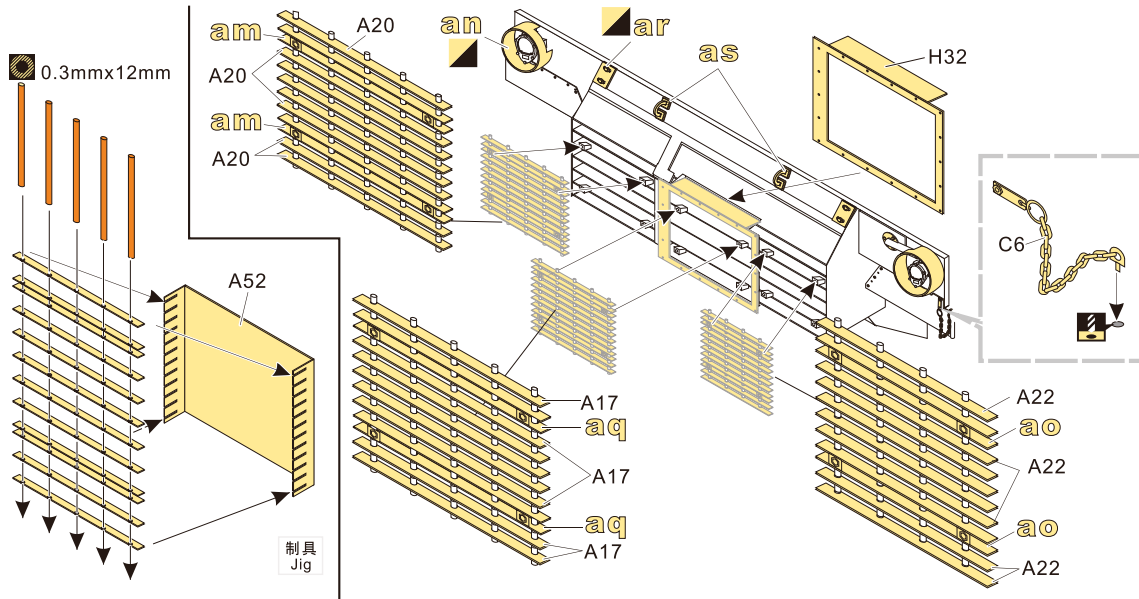




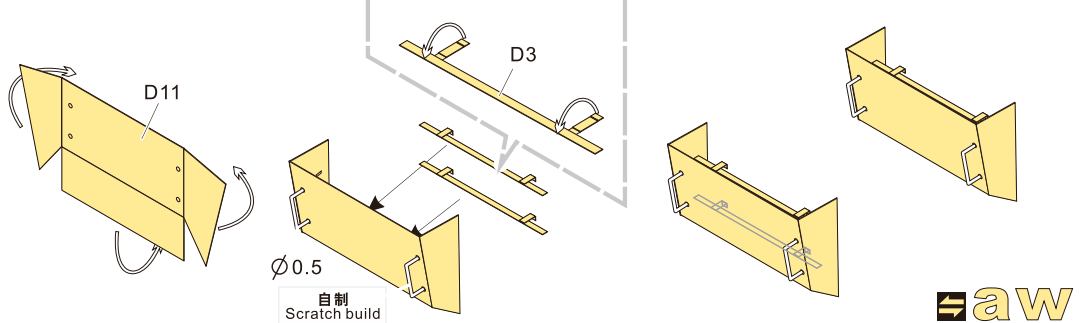
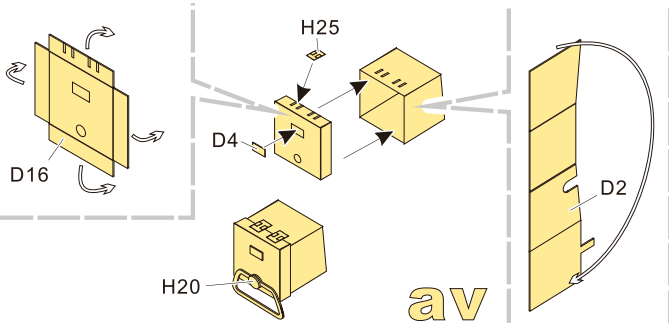


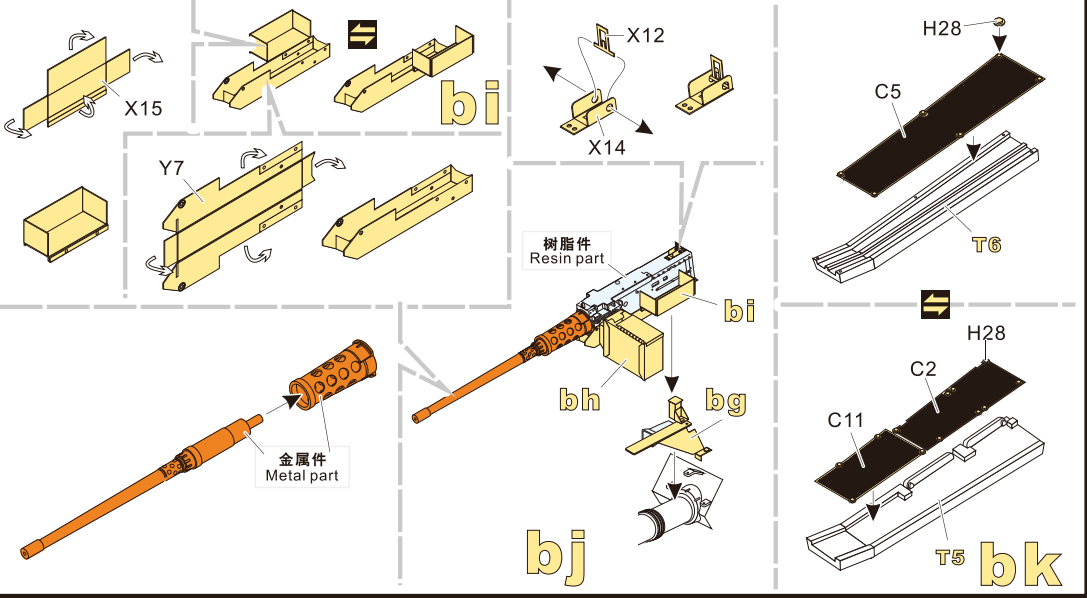
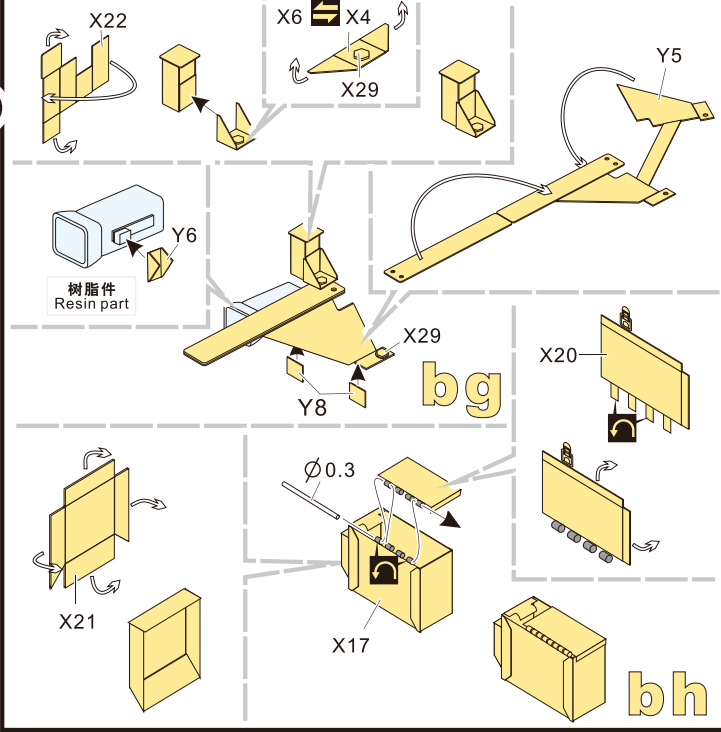
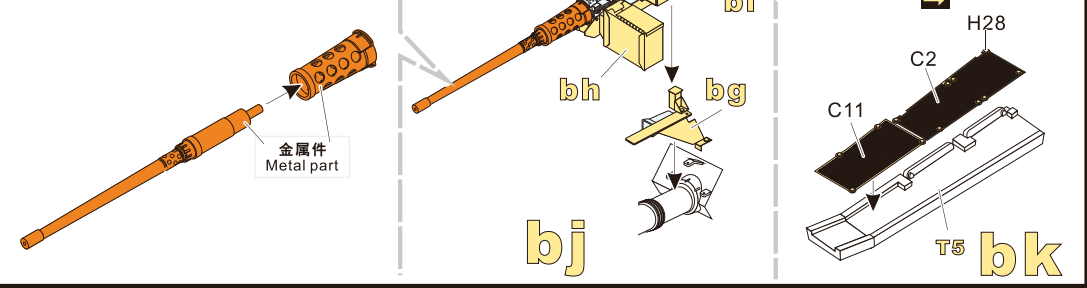
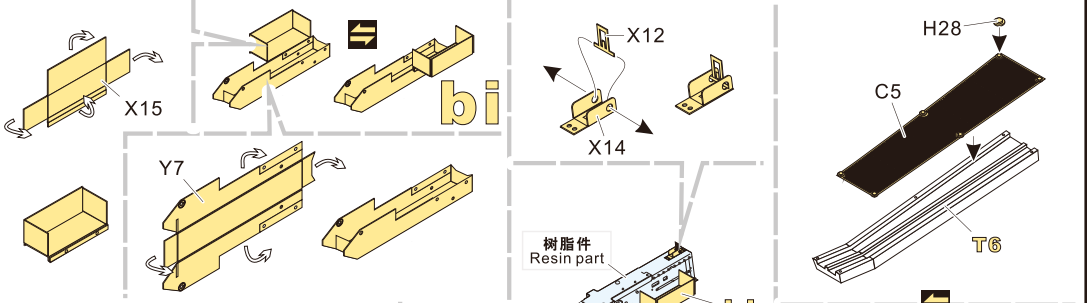
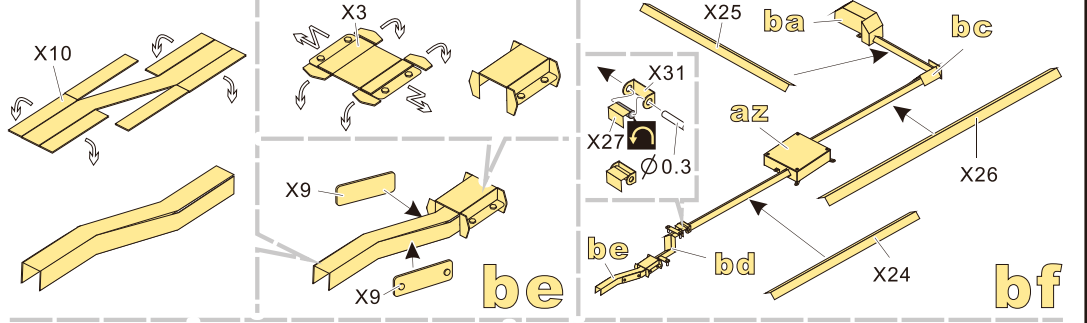
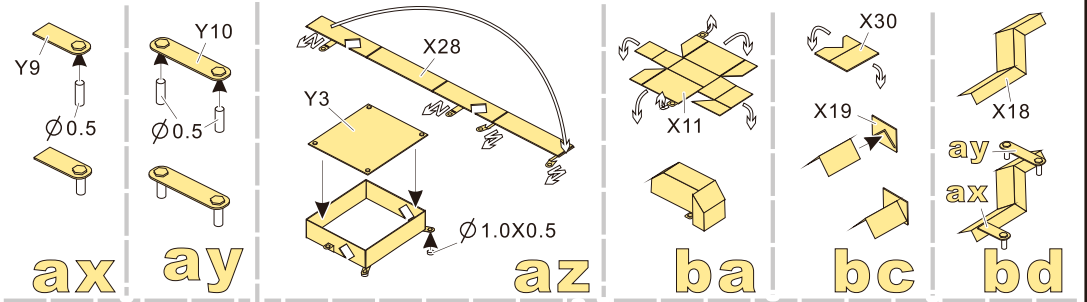
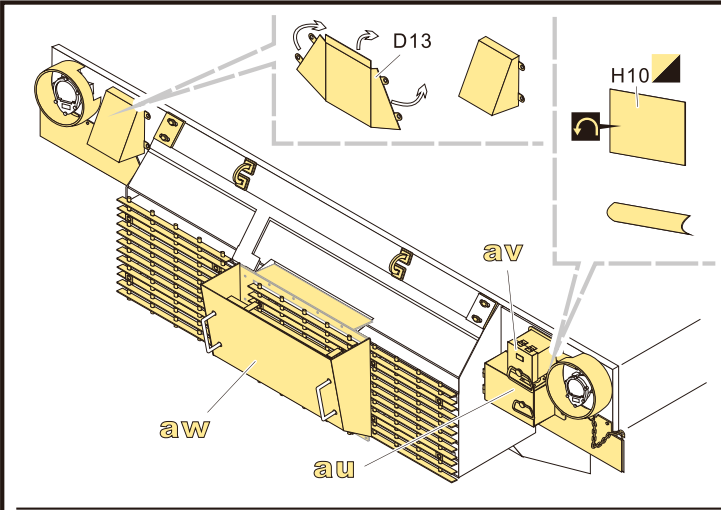


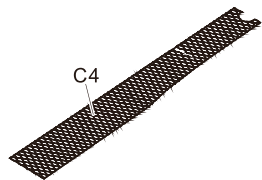
0.3mmx12mm



10





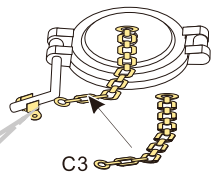


**bl**

A74

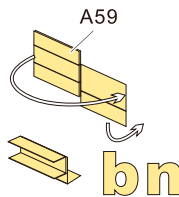


A62



C3

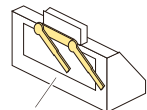
**x3 bm**



**bn**

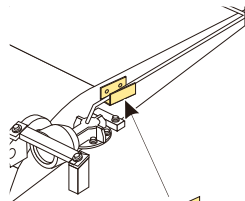


A19

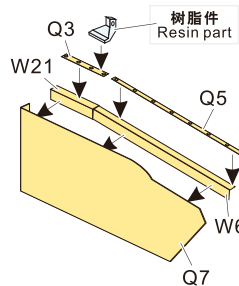
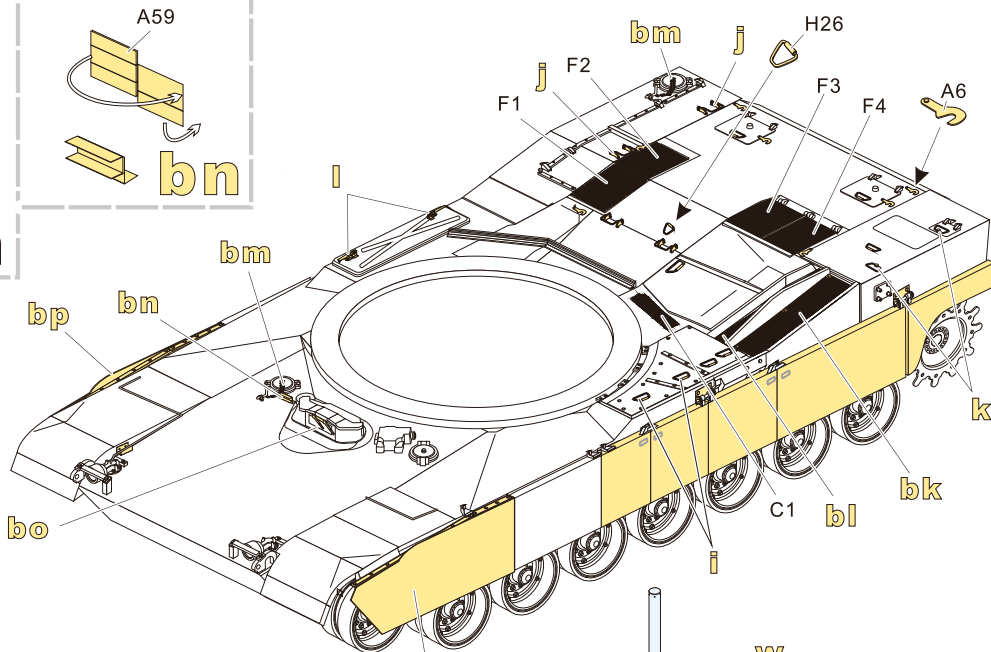


S6

**bo**



A61



树脂件  
Resin part

Q3

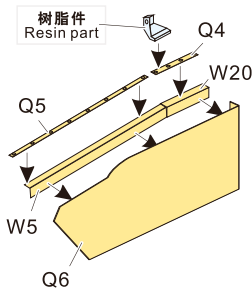
Q5

W21

W6

Q7

**bp**



树脂件  
Resin part

Q4

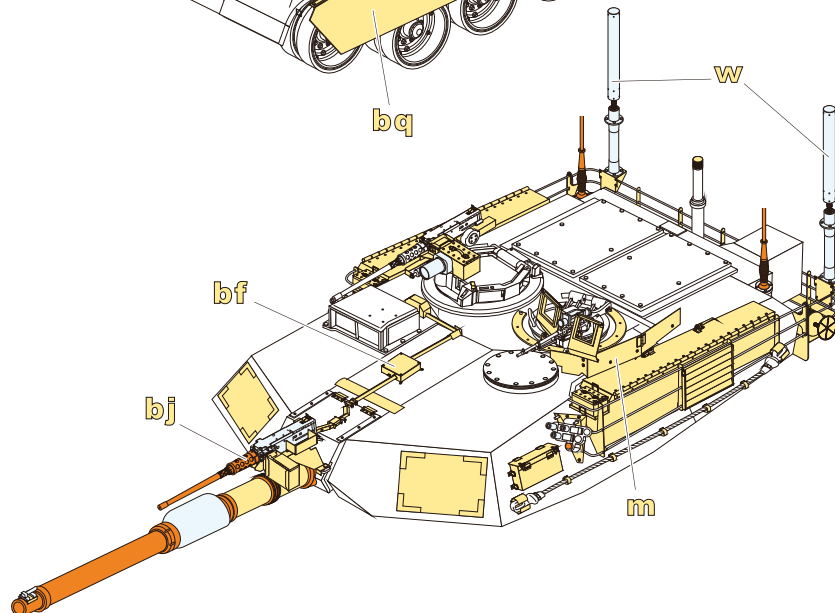
W20

Q5

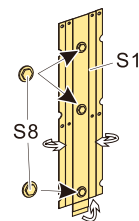
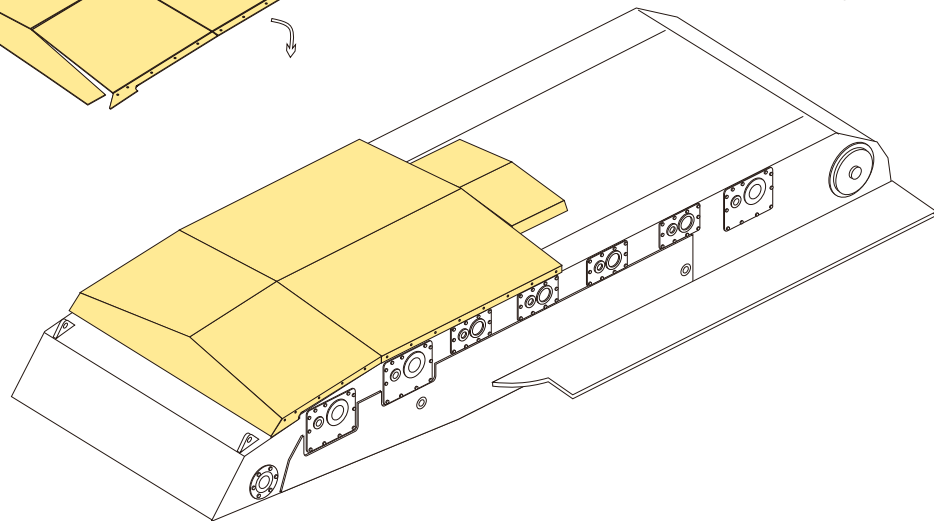
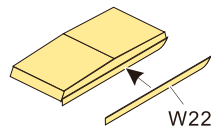
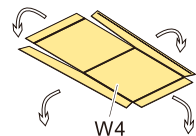
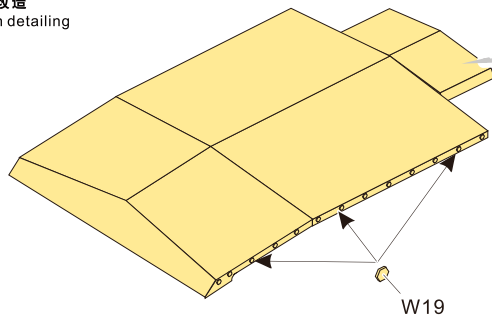
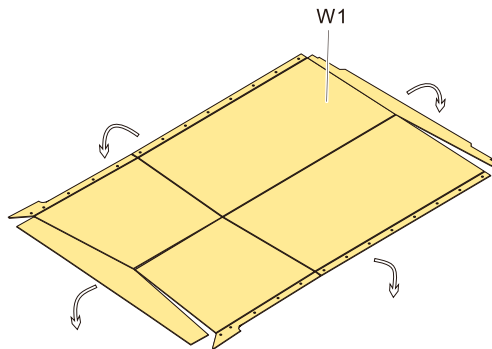
W5

Q6

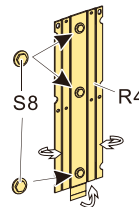
**bq**



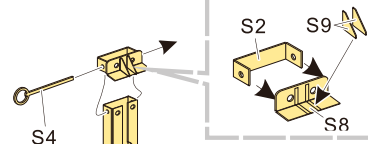
车底改造  
suspension detailing



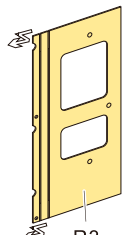
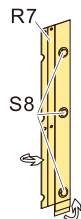
br



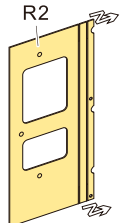
bs



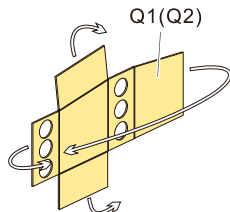
an(ao)



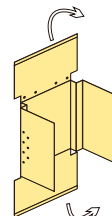
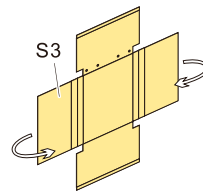
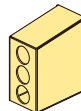
bt



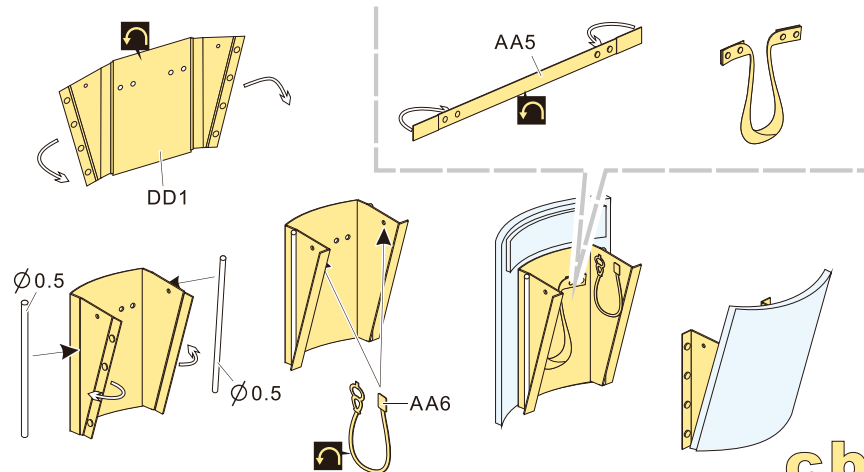
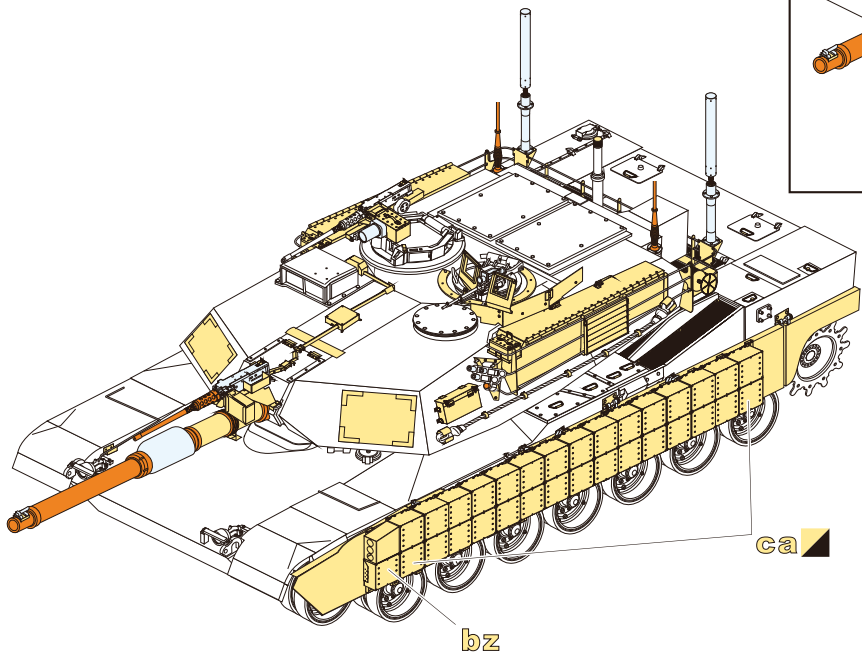
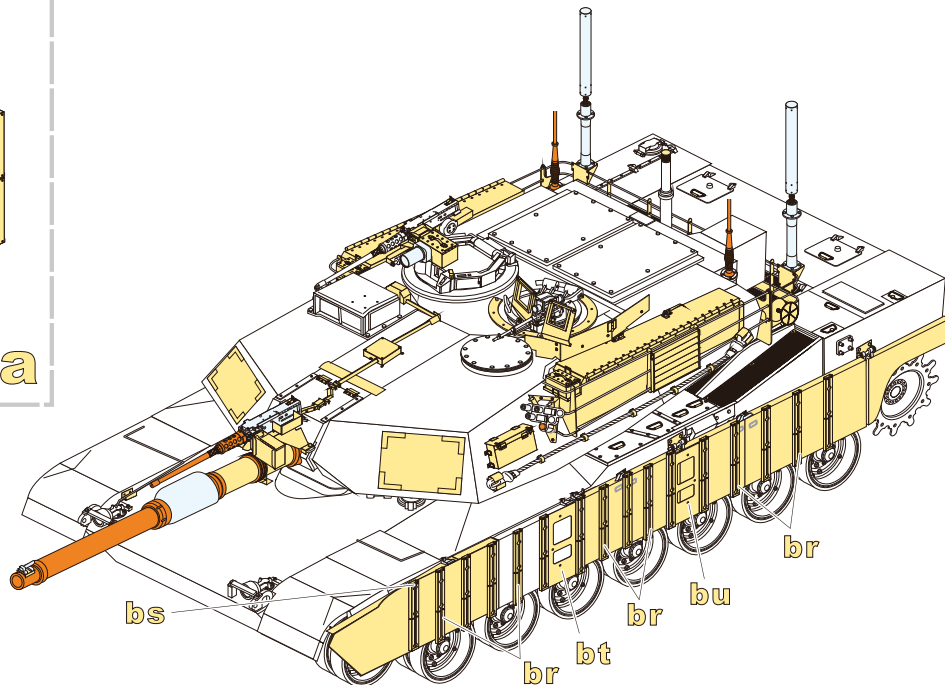
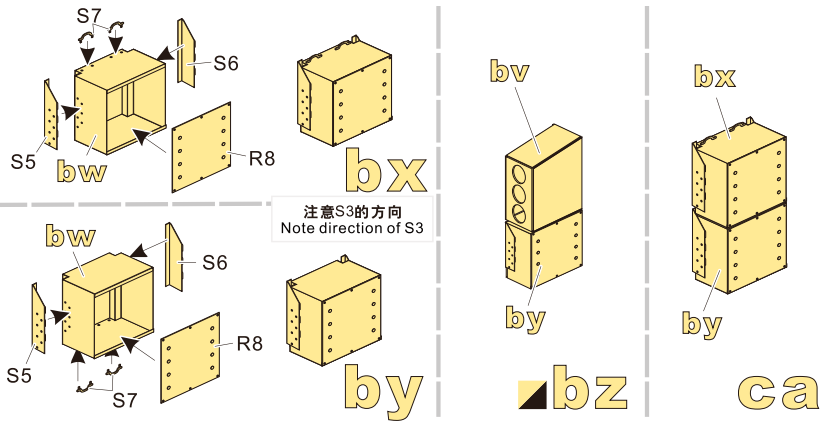
bu

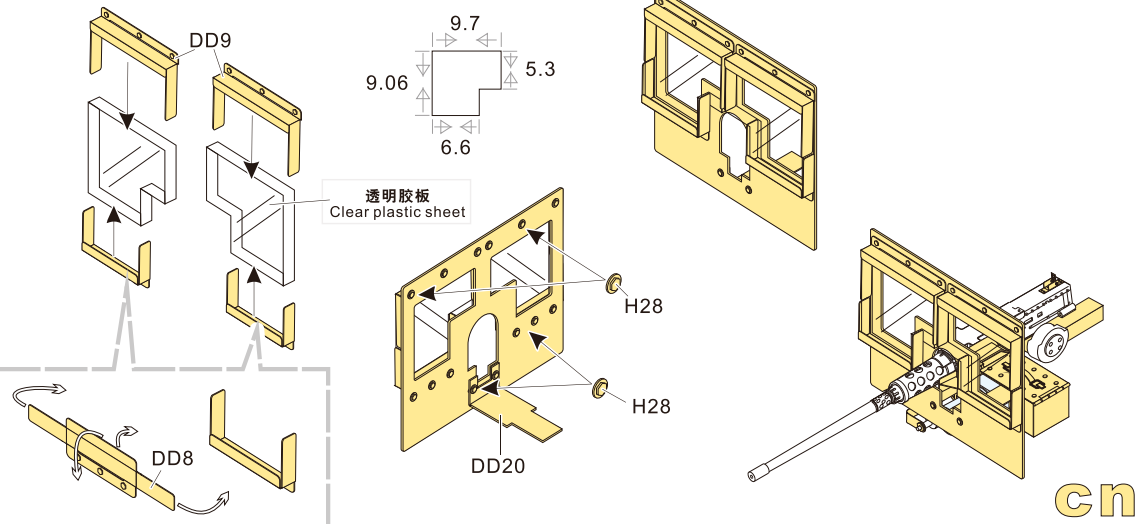
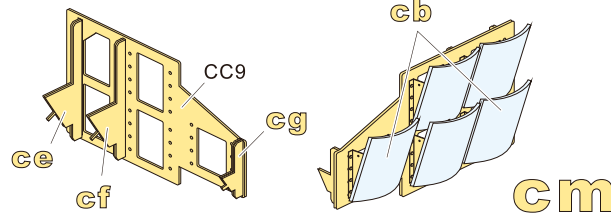
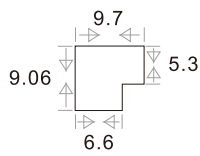
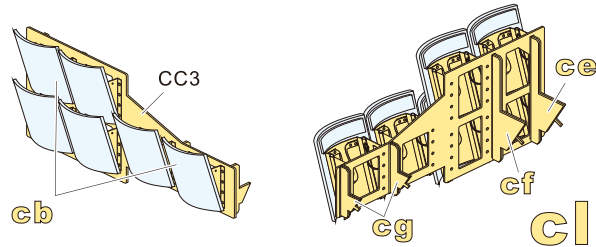
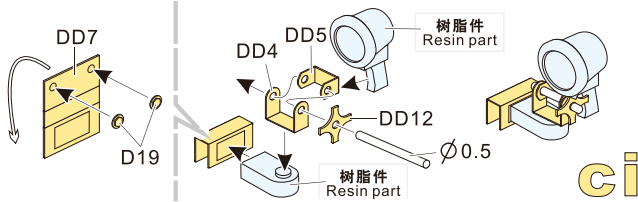
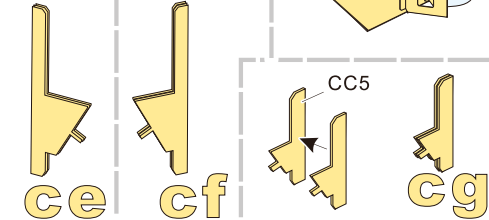
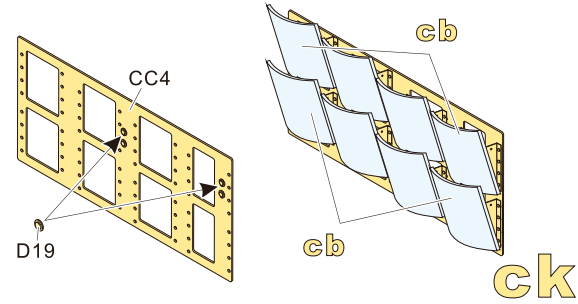
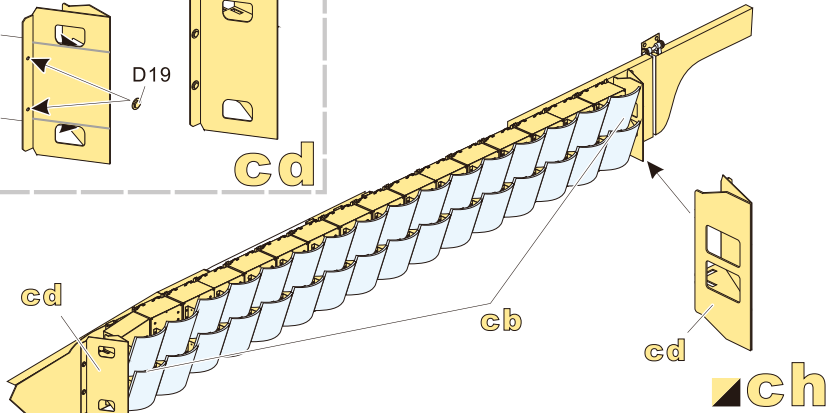
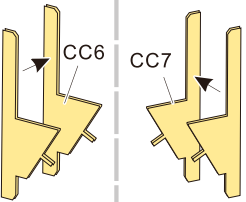
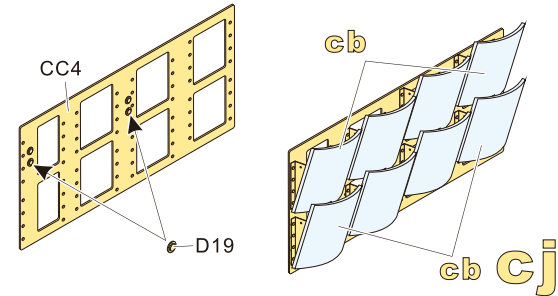
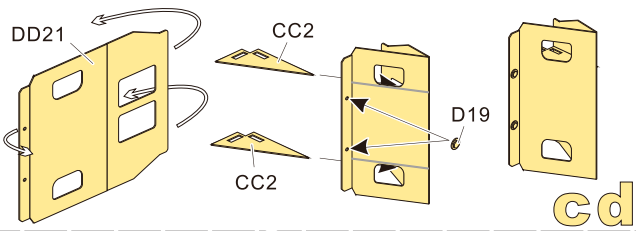


bv

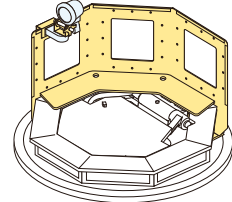
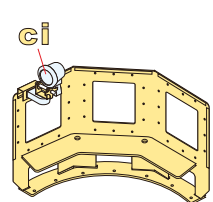
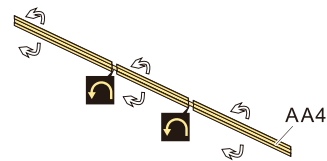
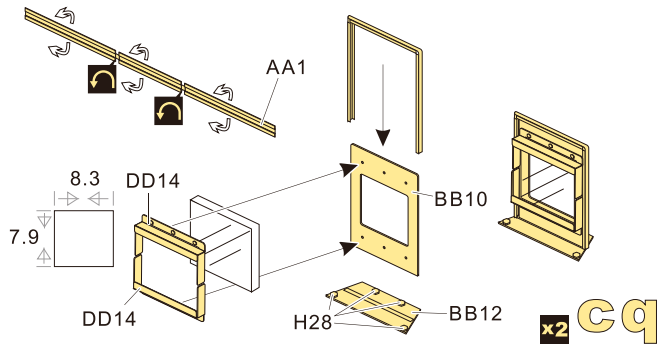
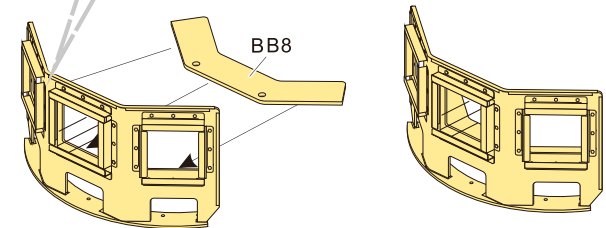
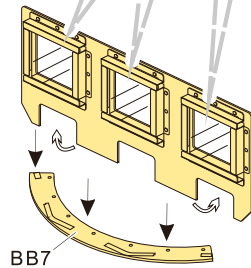
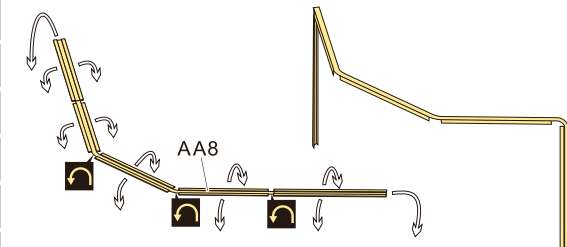
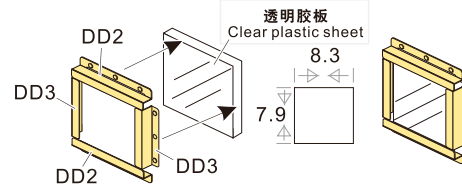
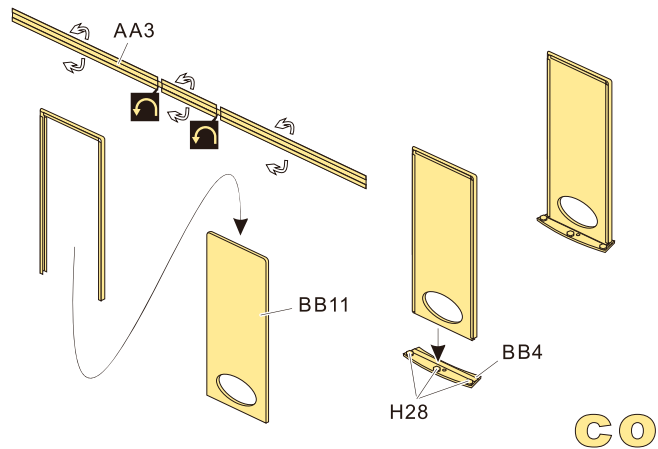


bw

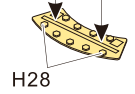
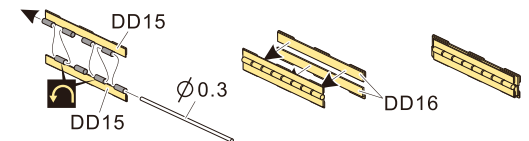
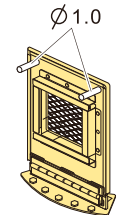
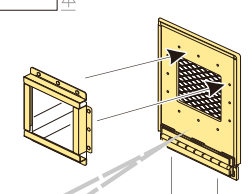
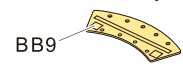
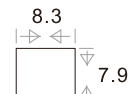
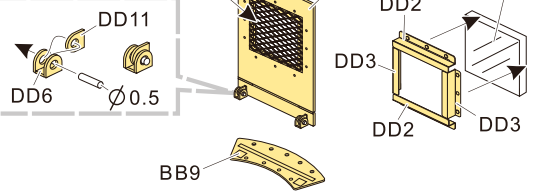
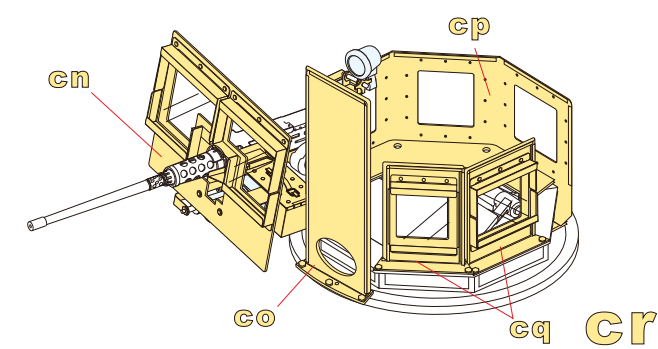




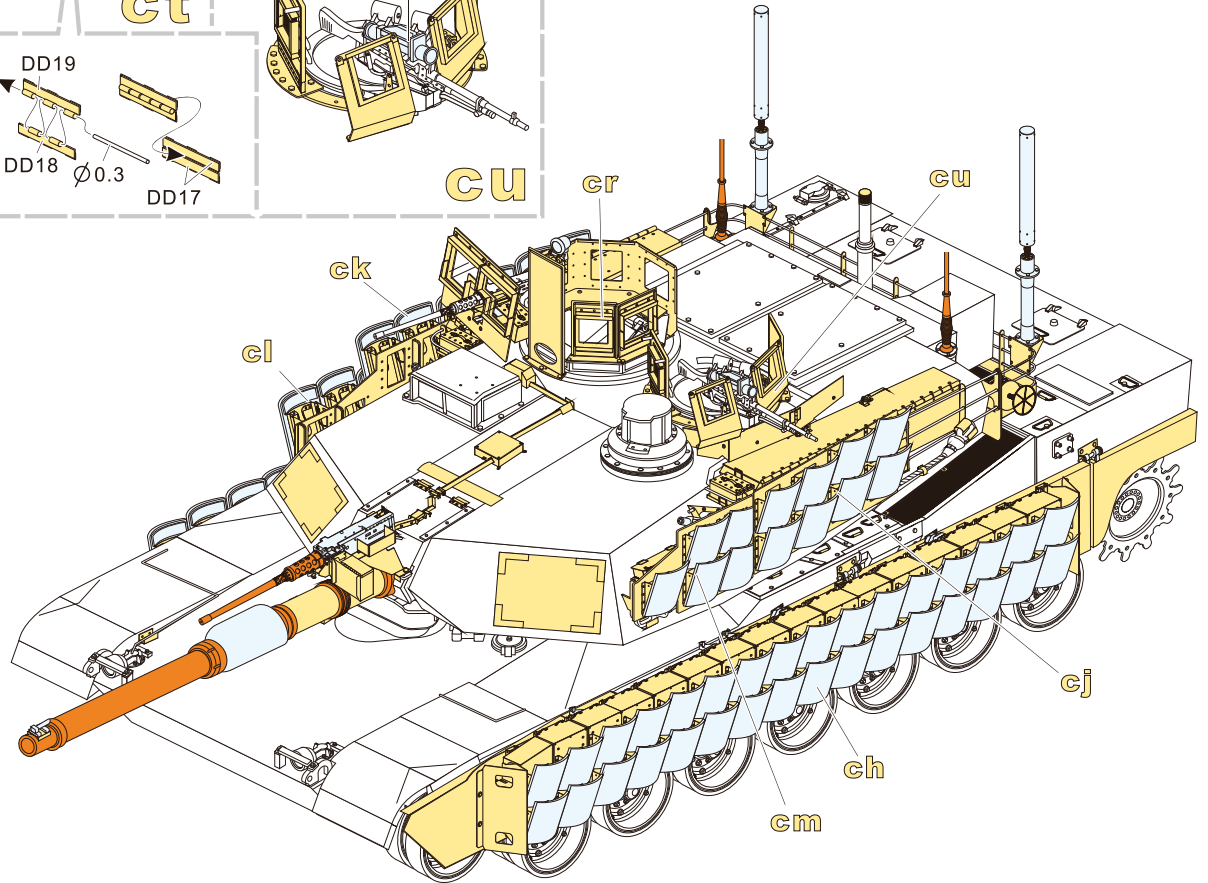
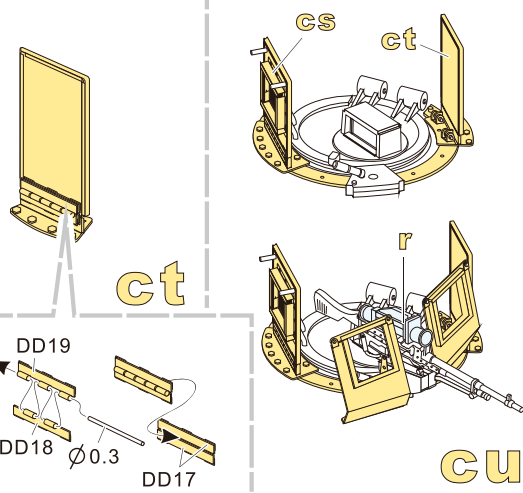
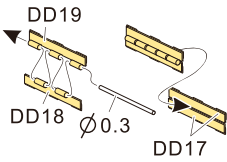
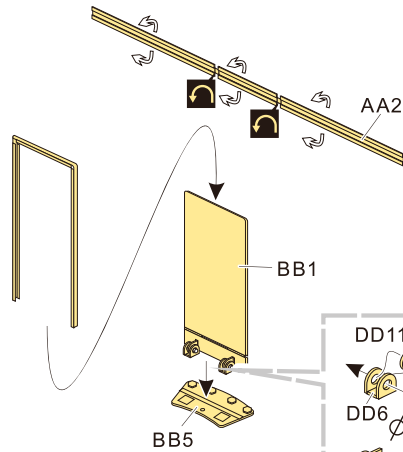




**CP**



**CS**



---

Reference:

Carl Schulze

M1A1/M1A2 SEP ABRAMS TUSK

*Tankograd American Special NO.3009*

Tankograd Publishing - Verlag Jochen Vollert