

AMX-T

AMX-T / 1B FIGHTER TWO-SEATER

The AMX-T is a two seater, high performance transonic turbofan jet, specifically developed for Advanced and Fighter Lead-In Training. It maintained the operational characteristics of the AMX - Ground Attack Fighter - in operation with the Brazilian and Italian Air Forces.

AMX can carry up to 3,800kg of air-to-air and air-to-surface missiles, bombs and munitions. The AMX is powered by the Rolls-Royce Spey Mark 807 non-afterburn turbofan engine.

The AMX fighter-bomber aircraft is in service with the air forces of Brazil, Italy and Venezuela. The first AMX aircraft was delivered to the Italian Air Force in 1989 and to the Brazilian Air Force in 1990. In total, 192 aircraft were delivered to Italy (110 AMX, 26 AMX-T) and Brazil (79 AMX, 15 AMX-T).

AMXはイタリアとブラジルが共同開発した亜音速・軽ジェット攻撃機で、その特性をそのままに訓練などで使えるように複座にしたものがAMX-Tです。AMXはアフターバーナーなしのRolls-Royce Spey Mark 807エンジンを装備しており、対空・対地兵器や弾薬などをあわせて3,800Kgに及ぶペイロードを持ちます。

イタリアでは1989年から運用を開始し、単座 (AMX) 110機と複座 (AMX-T) 26機が、ブラジルでは1990年から単座79機、複座15機が引き渡されています。これらの他に、ベネズエラでも運用されています。

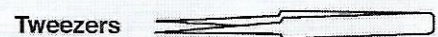
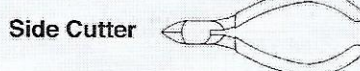
CAUTION

- *Read carefully and fully understand the instructions before commencing assembly.
- *Keep out of reach of children. Children must not be allowed to put any parts in their mouths, or pull plastic bag over their heads.
- *When using adhesives and paints, please make sure not to use them in closed room or near the fire.
- *When assembling this kit, tools including knives are used. Extra care should be taken to avoid injury.

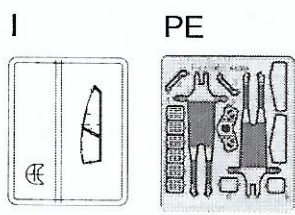
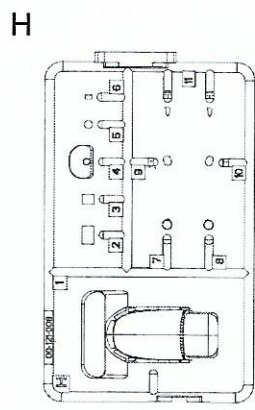
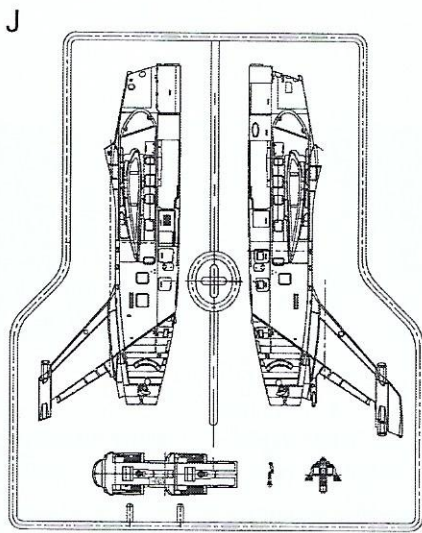
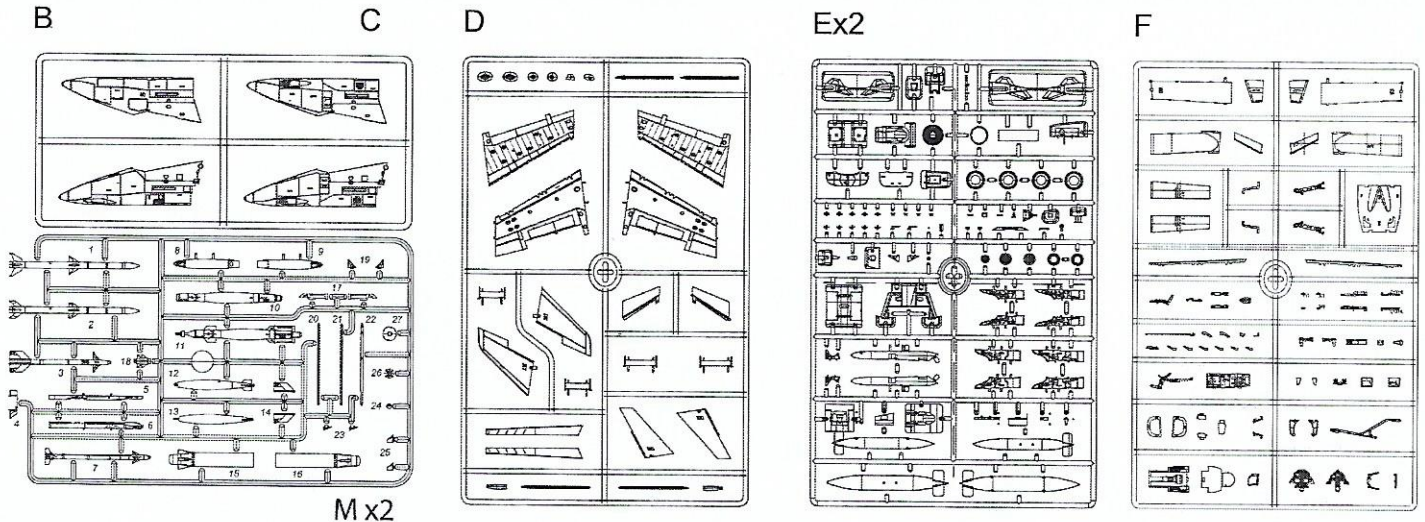
WARNING: CONTAIN SMALL PARTS NOT FOR CHILDREN UNDER 14 YEARS OF AGE.



TOOLS RECOMMENDED



1/48 SCALE AIRCRAFT SERIES NO: K48027



AFTERMARKET SERVICES CARD

When requesting replacement parts, please take or send this form to your local dealer so that the parts required can be correctly identified. Please note that specifications and availability are subject to change without notice.

or visit <http://www.kineticmodel.com> for latest information.

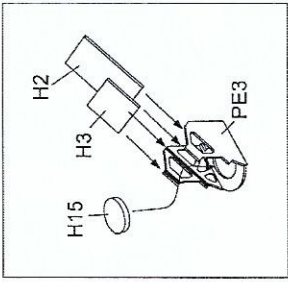
For more information, please contact services@kineticmodel.com

Parts Code	Item	K48027
00-100-021	Mx2	WEAPON SET (AIM-9x,9M,120B/C,GBU-12) PARTS M
00-121-010	J	1/48 2 SEATER AMX-T FUESLAGE
00-121-002	B	1/48 AMX/ITALY NOSE
00-121-003	C	1/48 AMX/A-1 NOSE
00-121-004	D	1/48 AMX WINGS
00-121-005	E x 2	1/48 AMX FUEL TANK, SEAT
00-121-006	F	1/48 AMX IN TAKE
00-121-009	I	1/48 2 SEATER AMX-T CANOPY
00-121-008	H	1/48 AMX CANOPY COMMON PARTS
01-121-48026		1/48 AMX FIGHTER ITALY/BRAZIL
03-121-48027		1/48 2 SEATERS AMX-T MANUAL
06-121-48026	PE	PE

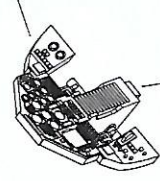
PAINT INDEX

Color	Humbrol Enamel/Acrylic	GSI Creos Mr. Color	Italeri Arcylic Paint	Tamiya Enamel/acrylic	AMMO Mig	Vallejo Model Color
Flat Black	33	33	4768AP	XF-18	46	950
Flat White	34	-	4796AP	X-2	47	951
Clear Red	1321	47	-	X-27	93	934
Clear Green	1325	138	-	X-25	92	-
US Ghost Grey	127	308	-	-	-	-
Gun Metal	53	-	4681AP	X-10	45	863
Silver	11	8	4678AP	-	-	790
Khaki	26	55	-	XF-49	-	880
Allumimum	27001	Mc218	467AP	-	-	-
Sky Gray	28	-	-	XF-19	-	989
Drak Blue Gray Fs26187	157	-	4766AP	-	-	-
Light Blue Gray Fs26493	106	-	4778AP	XF-82	-	893
Gloss White	22	1	4696AP	X2	47	842

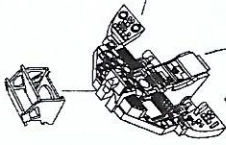
33 denotes Humbrol Paints



J4



F61



33

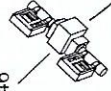
A-1M

F64

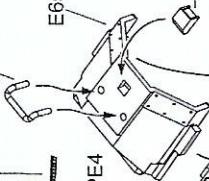
Optional



F46



E70



E65

E69

PE5

E10

PE4

PE4

E10

PE4

E10

PE4

E10

PE4

E10

PE4

E10

PE4

E10

PE4

E10

PE4

E10

PE4

E10

PE4

E10

PE4

E10

PE4

A-1AM

Optional

E67

E67

E67

E67

E67

E67

E67

E67

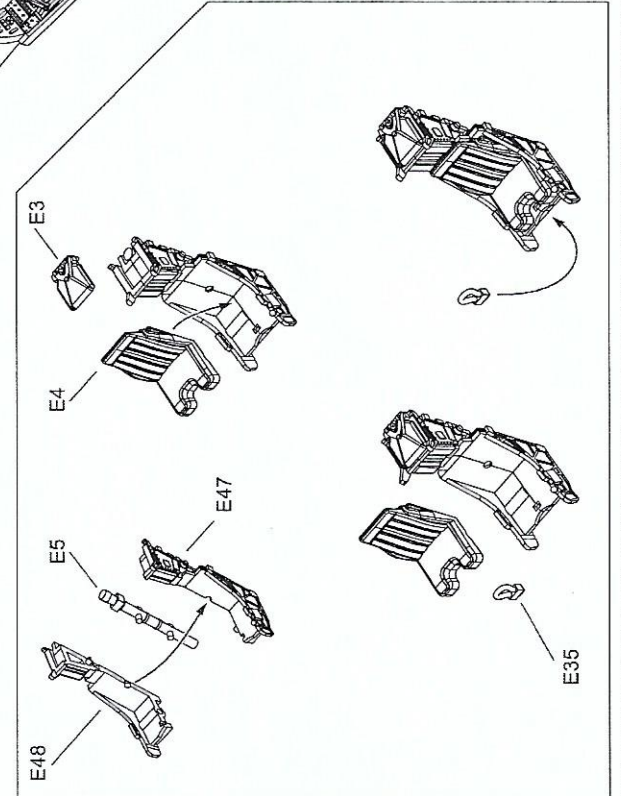
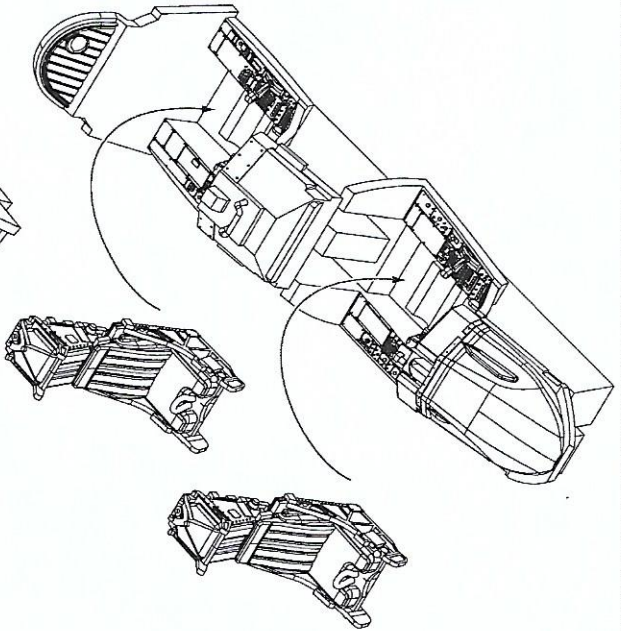
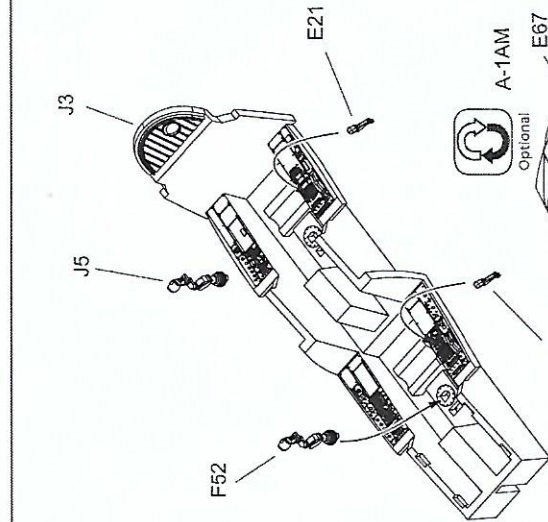
E67

E67

E67

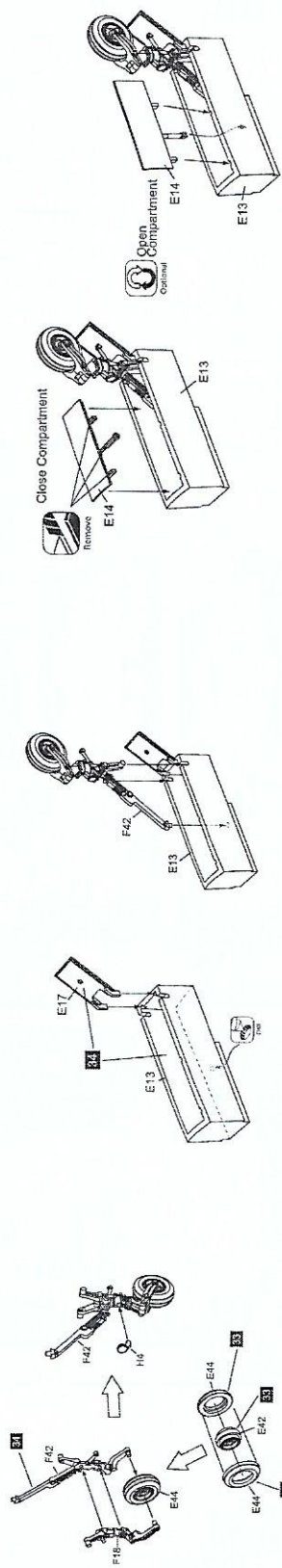
E67

E67

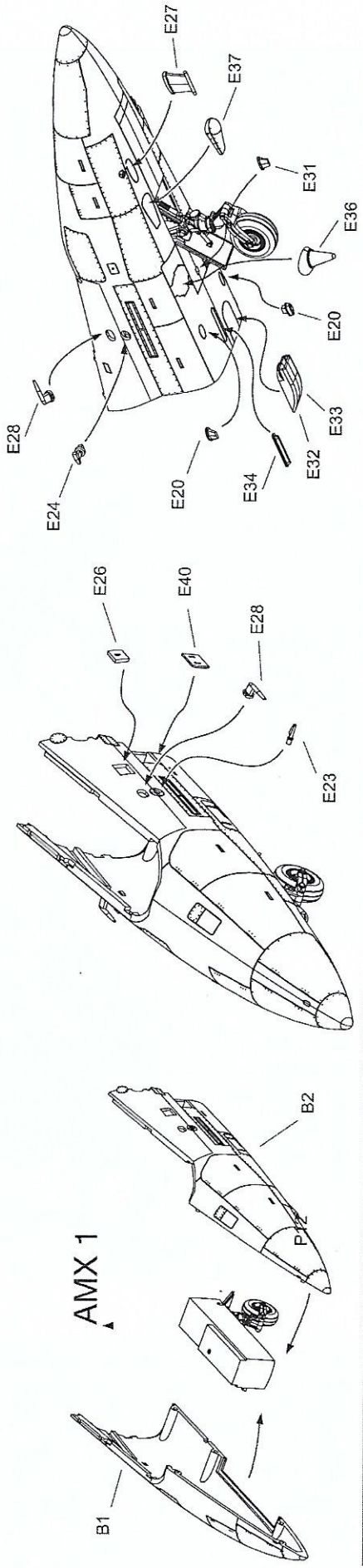


1

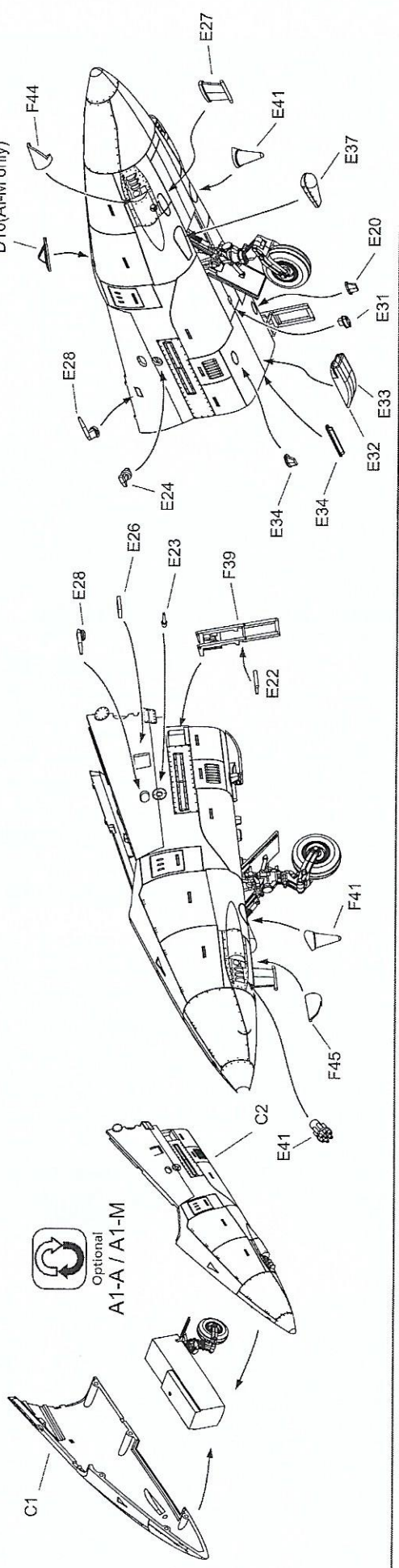
2



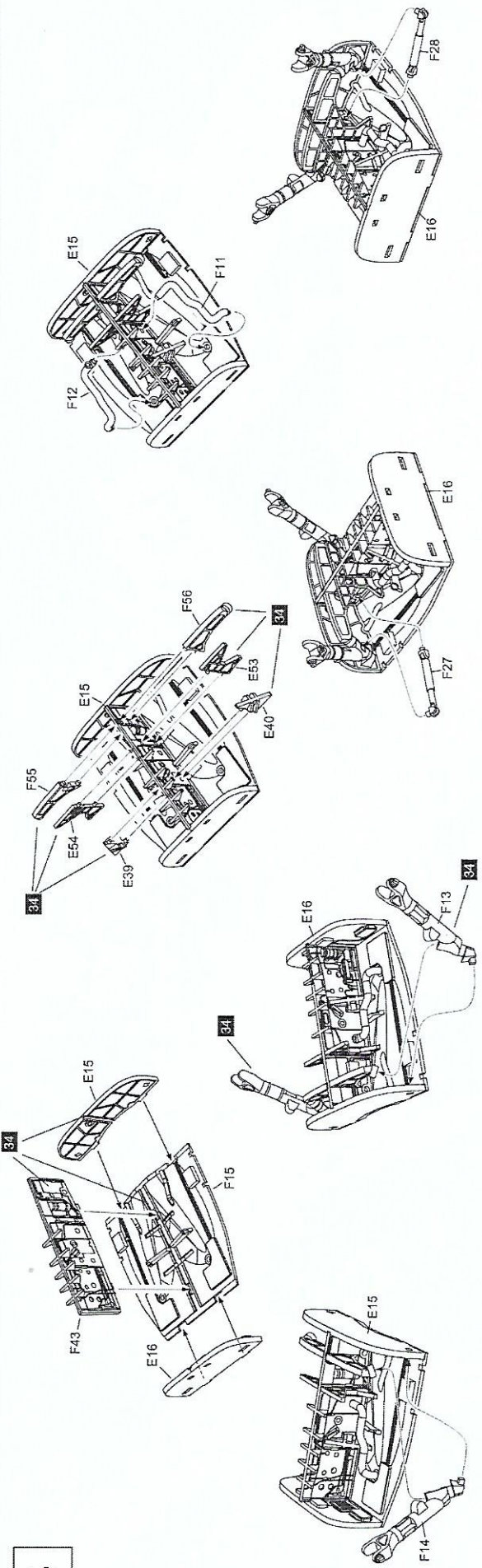
3



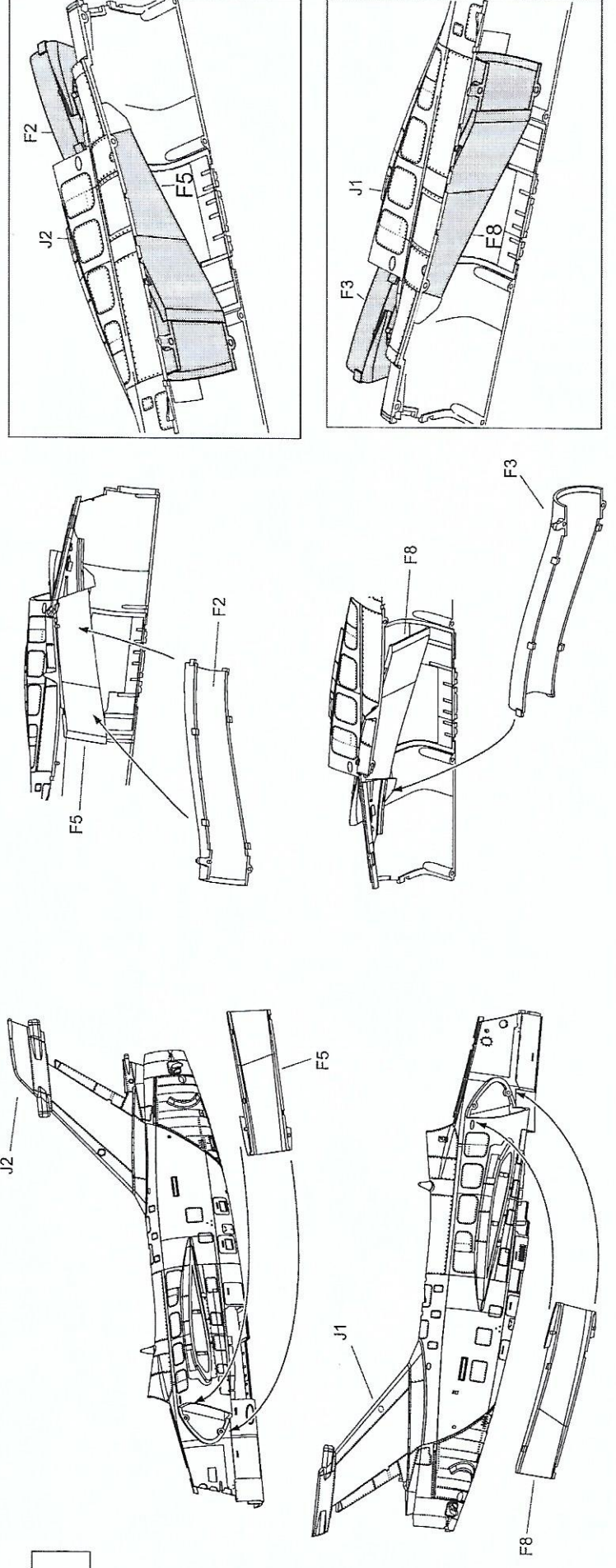
D10(A1-M only)

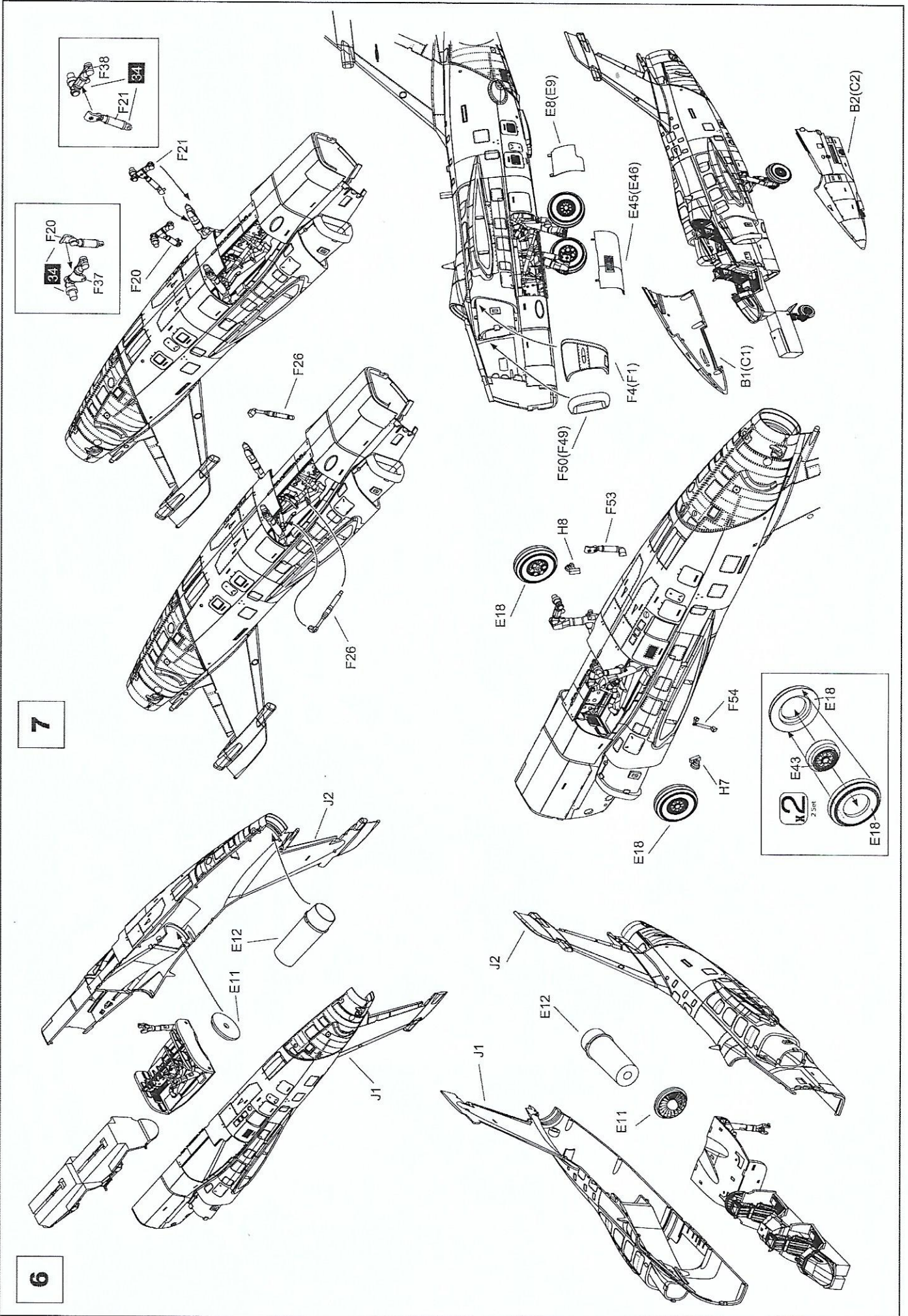


4



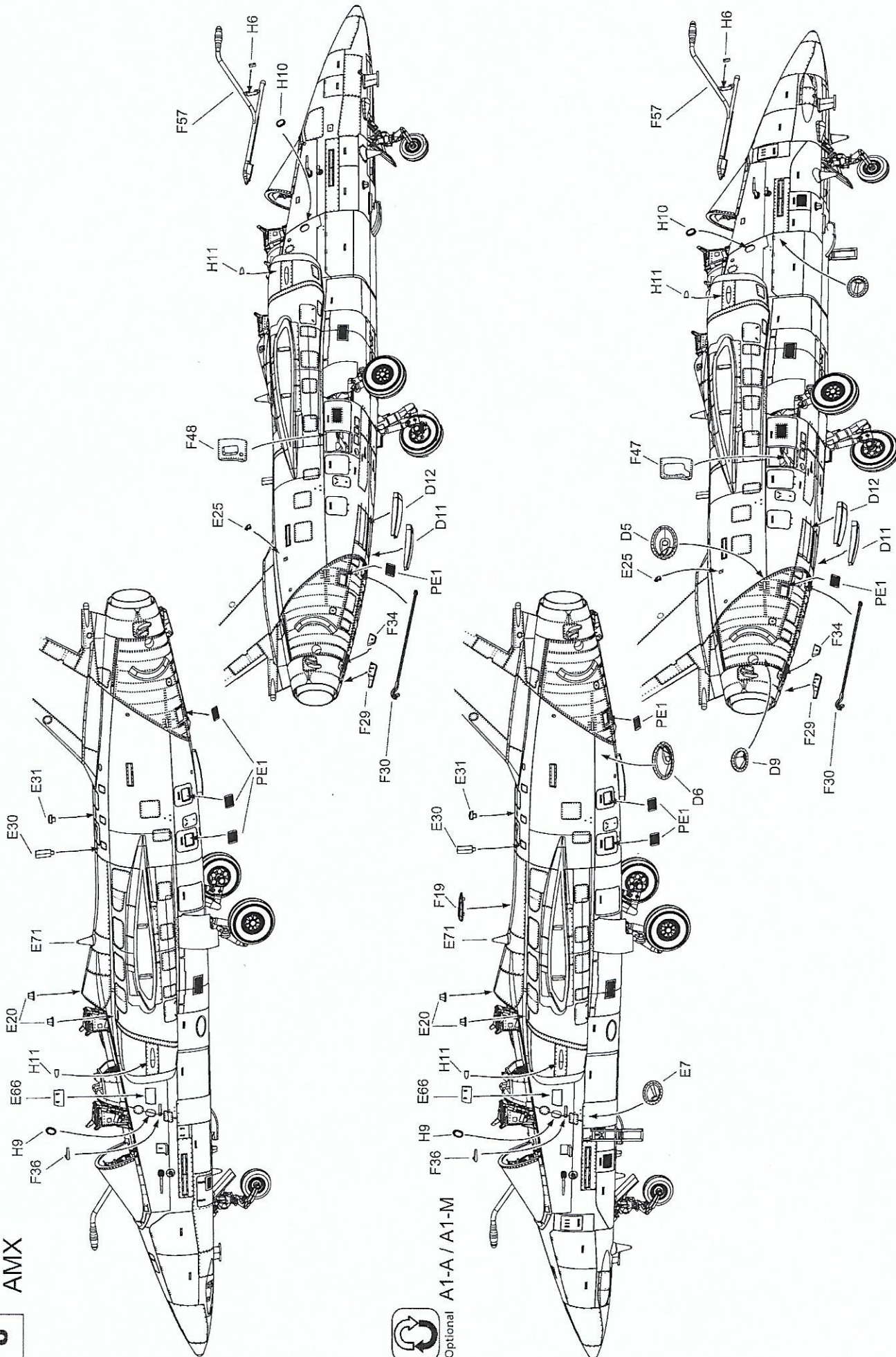
5





8

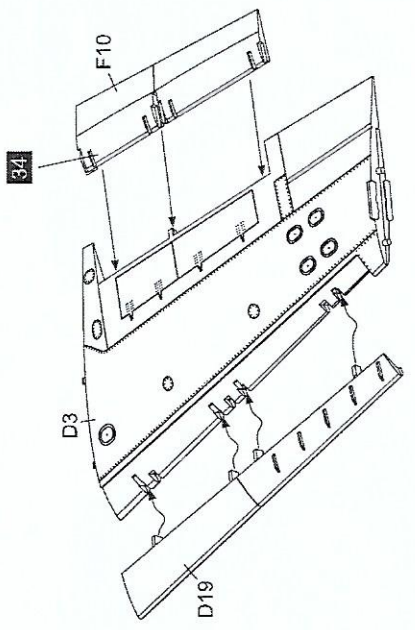
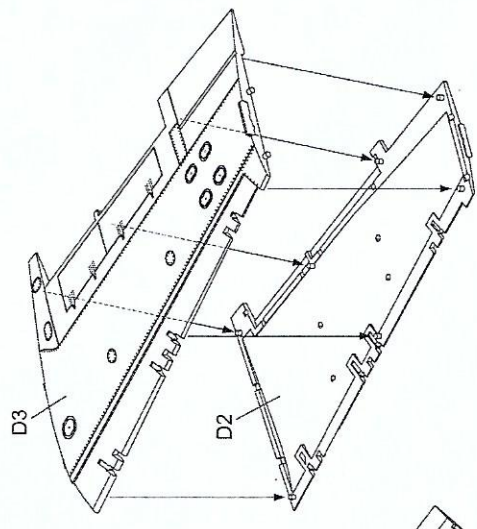
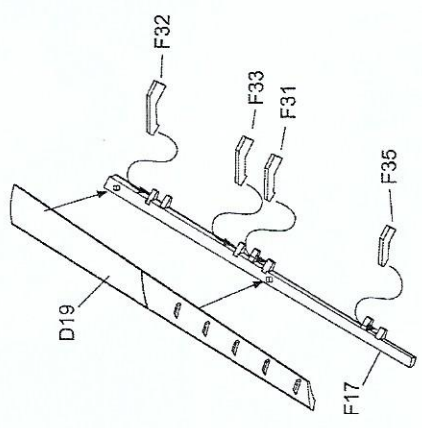
AMX



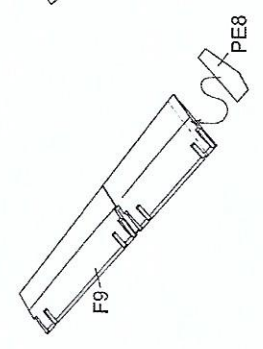
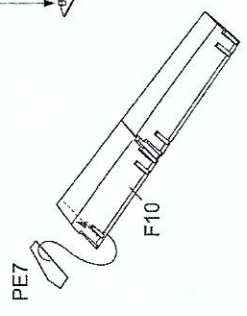
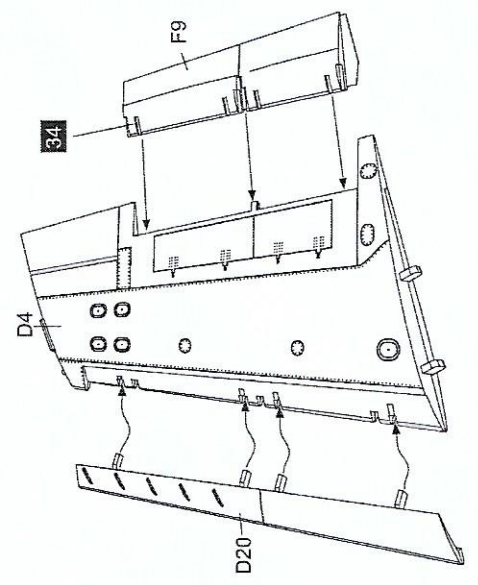
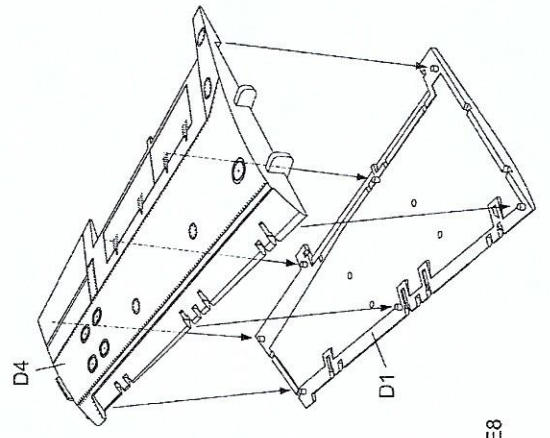
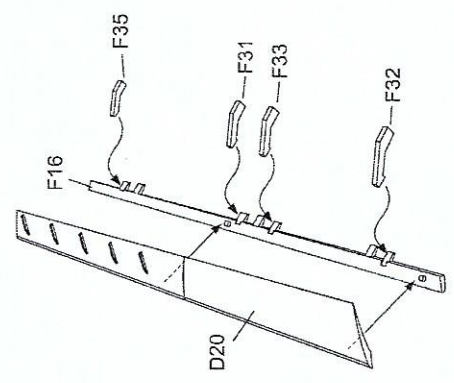
Optional A1-A/A1-M

 **Retracted Flaps**
Optional

Left Wing



Right Wing



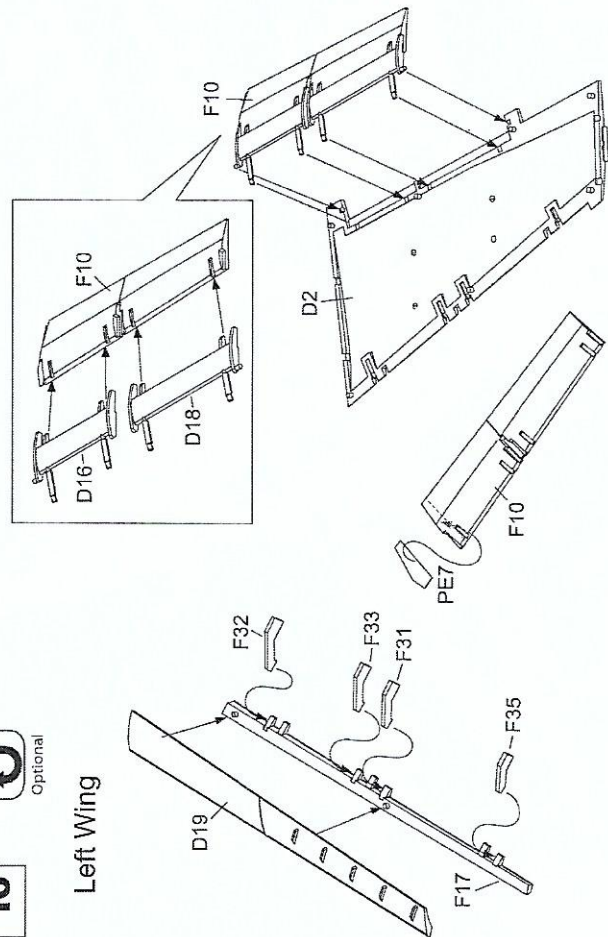
Extended Flaps



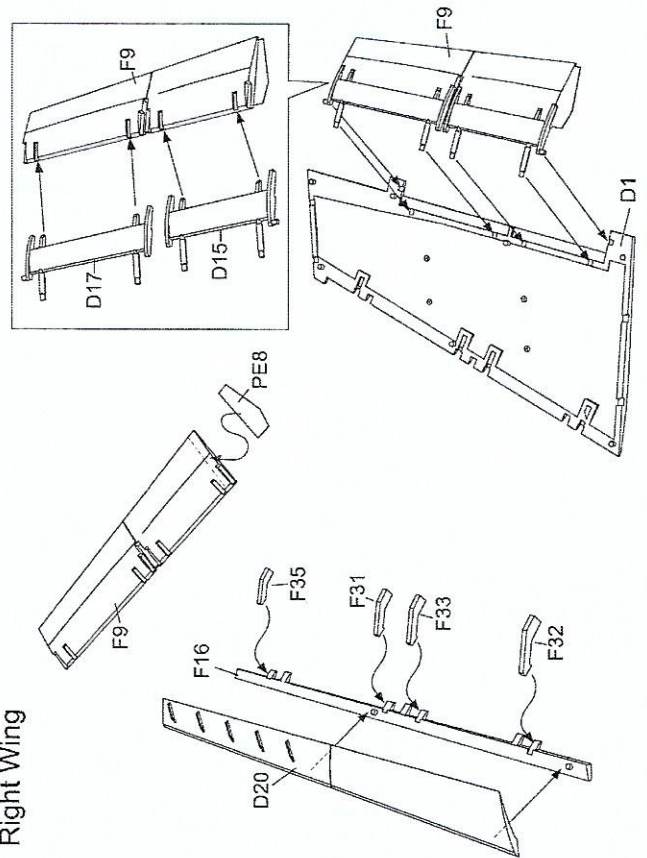
Optional

10

Left Wing

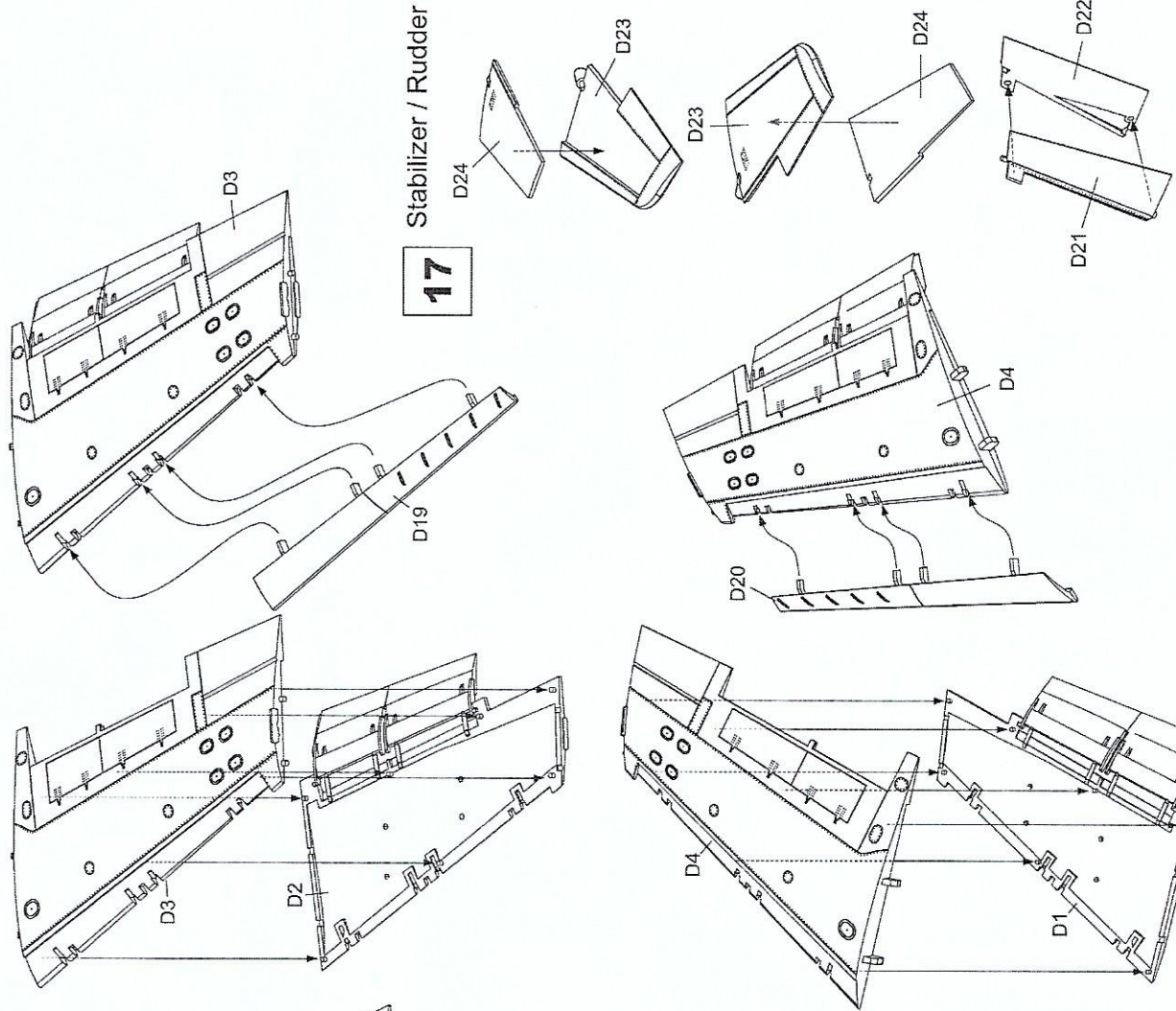


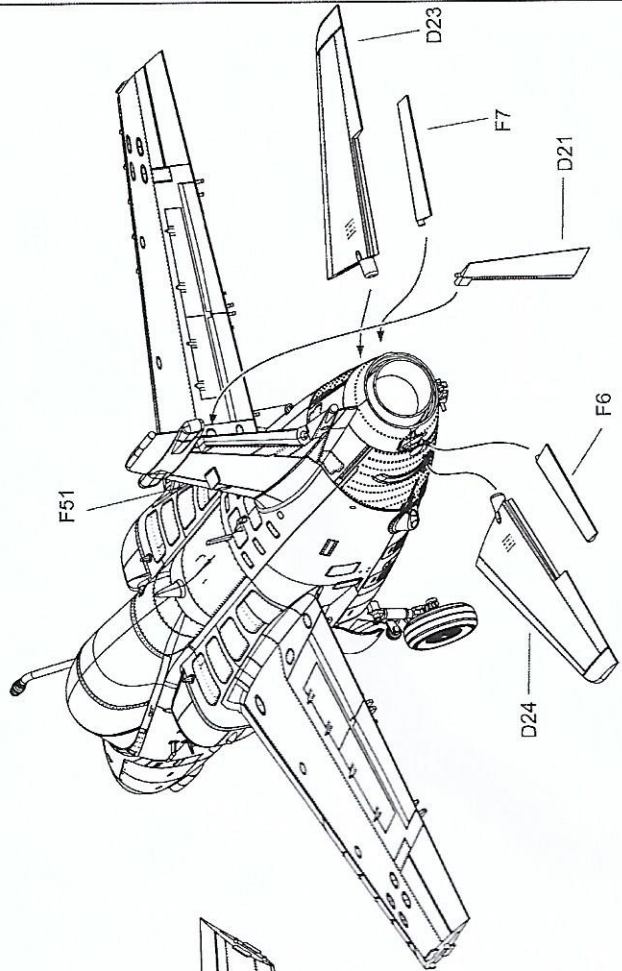
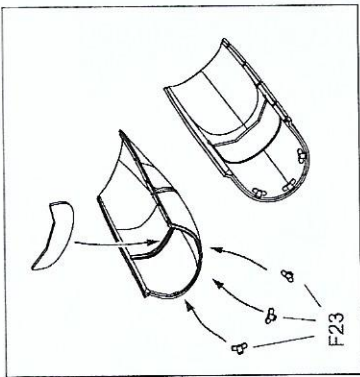
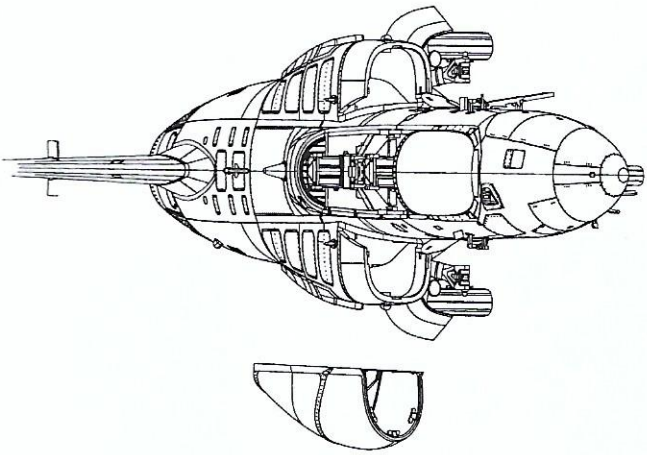
Right Wing



17

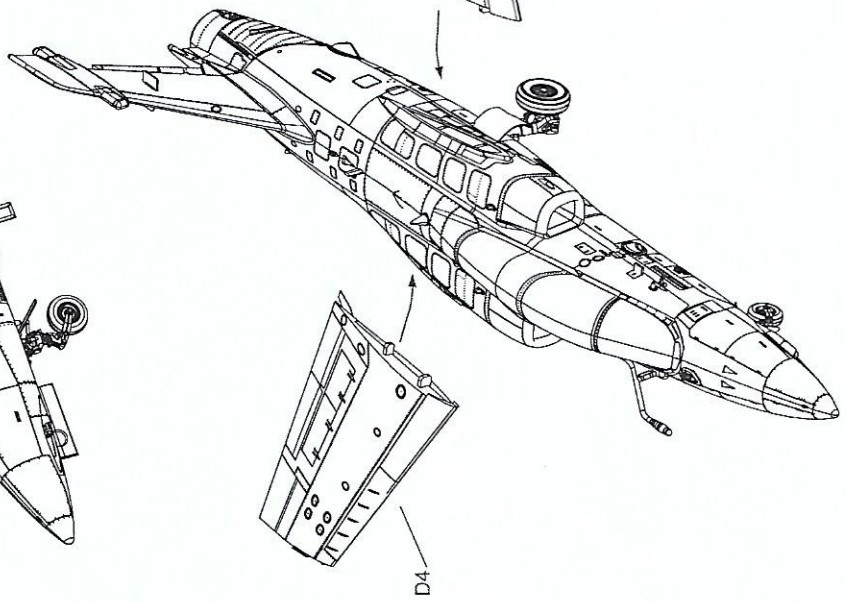
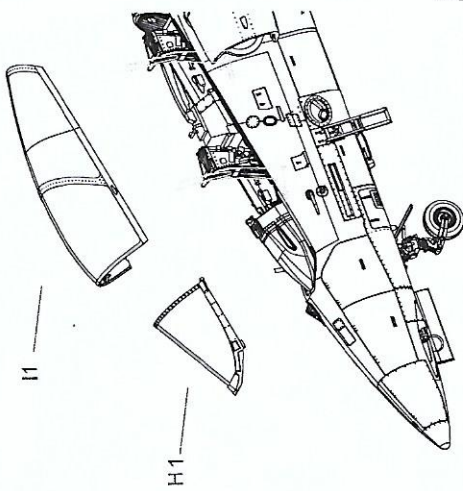
Stabilizer / Rudder





F51

D3

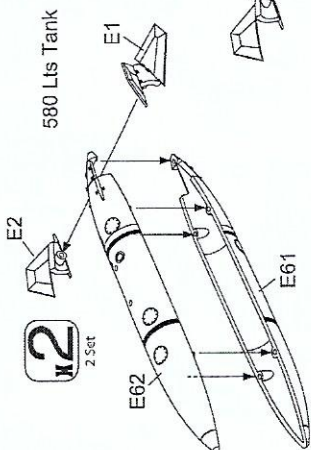
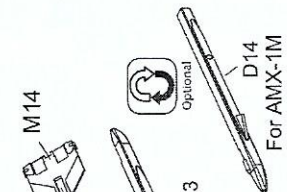
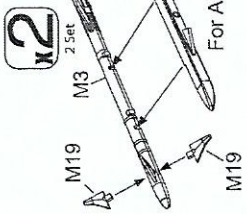
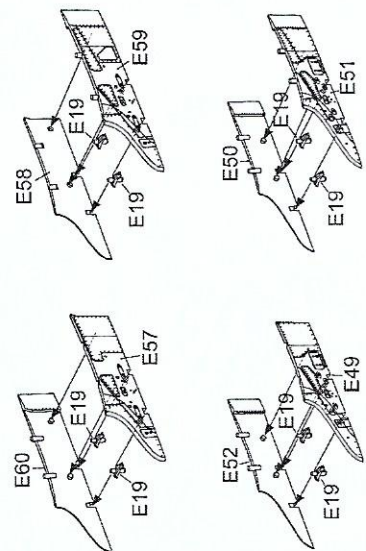


D4

11

12

13



x2
2 Set

580 Lts Tank

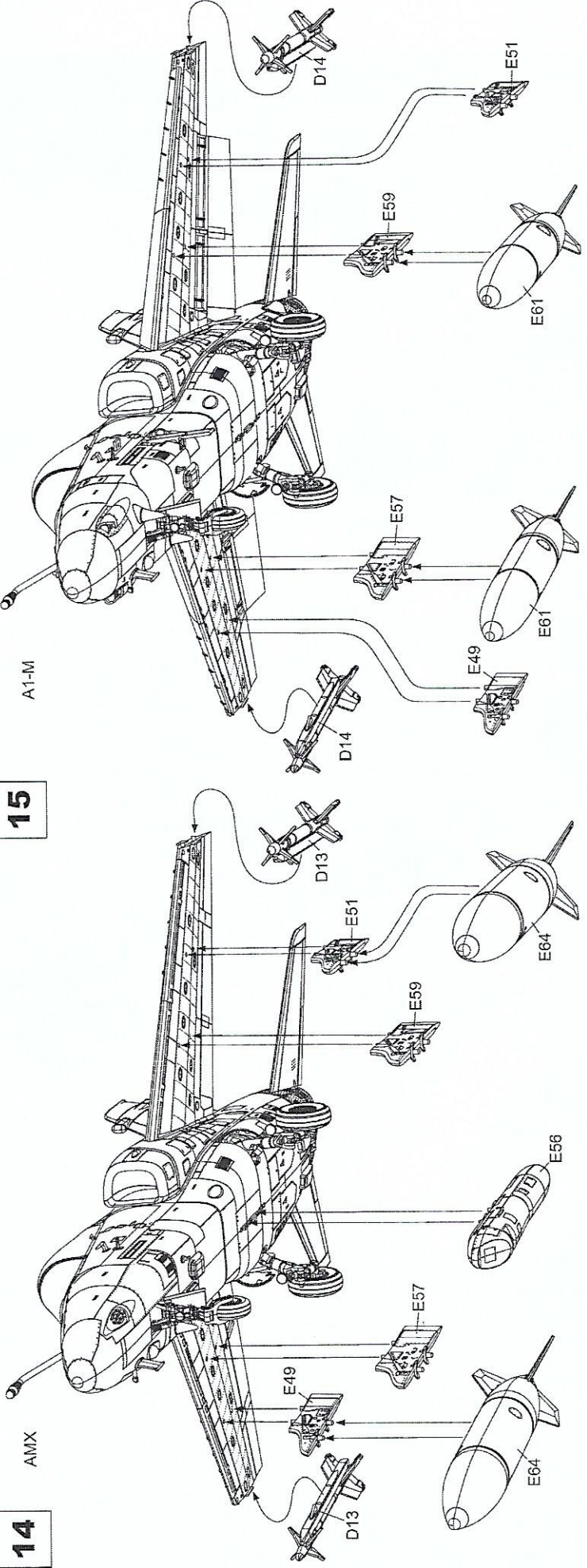
1100 Lts Tank

14

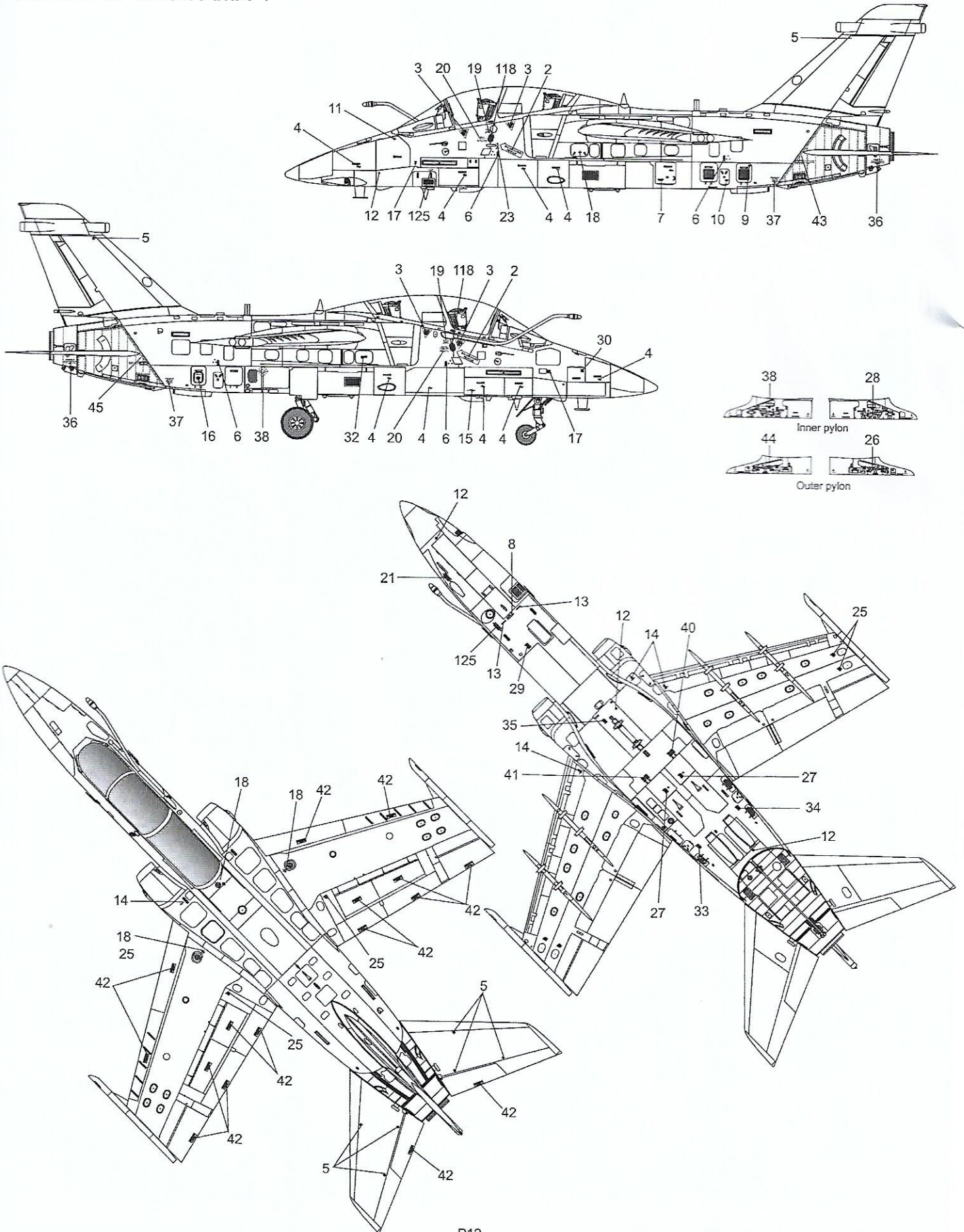
AMX

15

A1-M



Stencils for Italian AMX-T



Aeritalia - Aermacchi - Embraer AMX-T
32° Stormo - 101° Gruppo
Italy - 2001

