



AAVP-7A1 RAM/RS w/EAAK

AAVP-7A1 增加装甲型

AAVP-7A1 RAM/RS改进型两栖装甲运输车(带附加装甲)

PLEASE READ BEFORE OPERATION!

- * Tools recommended as below: (Not included)
Adhesives; Paints; Side Cutters; Sharp Edged Pliers; Modeling Knife; Modeling File; Nippers; Drill; Scissors; Sand Paper; Soft Cloth; Cyanoacrylate Glue.
- * Make sure to read this instruction listed below before assembling.
- * The kit contains the small parts, they can be dangerous if swallowed by mistake, so keep them away from reach of children.
- * Cut the all parts off carefully and remove the waste parts into the garbage can.
- * More caution and care should be needed for cutting and handling the photo etched parts.
- * Make attention that some parts should be attached the decal when assembled.
- * During assembling, please tear up and throw away the plastic bags, or may cause the dangerous if wearing over head by children's mistake.
- * When using the adhesives and paints, please do not use them in the closed room or near the fire, also must be very careful to protect your eyes, face and clothes.
- * Adult supervised when assembled by children under 14 years old.

装配前请仔细阅读:

- * 推荐使用的模型工具(请自备):
专用模型胶水, 专用模型油漆, 水口剪刀, 长咀钳, 刀片, 锉刀, 镊子钳, 钻, 剪刀, 软布, 砂纸, 瞬间快干胶等。
- * 用水口剪刀或刀片小心切下所有塑胶零件和蚀刻片零件, 不要遗失小零件。
- * 切取蚀刻片时应特别注意防止利边划伤手指。
- * 用模型锉刀小心锉平所有零件表面的注射浇口。
- * 用适量的强力快干胶水粘合蚀刻片零件和金属轴, 切忌过量, 否则可能导致可动零件被粘住。
- * 注意某些零件表面需在装配时同步贴水上贴纸。
- * 制作时应远离幼儿并将包装袋及时收妥, 谨防小孩玩耍而引起意外。



using ca super glue
使用强力胶



weight
配重



make hole
钻孔



cut / remove
切除



option
选择



no cement
不涂胶水



decal
贴纸



bend
弯曲



repair
填补

The method to apply the decals

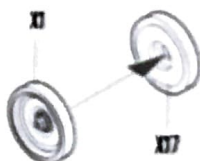
1. Cut off the decal from the decal paper and put it into the warm water 40 C for 10 seconds.
2. Take the decal from the water and put it on a piece of clean cloth.
3. Remove the decal slowly from the paper to the targeted location by a wet finger.
4. Use a piece of dry and soft cloth to press it gently on the decal until it getting dry and no bubble existing.

水贴纸的使用方法:

- 一. 把相关的印花从水贴上剪下, 放入40℃左右的温水中浸10秒。
- 二. 然后将印花放在干净的布上。
- 三. 拿上印花纸板, 手指蘸水将印花移到适当的位置。
- 四. 用软干布轻压印花直至水干, 气泡消失。

1
STEP

负重轮
Road wheel



制作12组
Make twelve

透导轮
Idler wheel



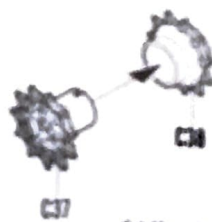
制作2组
Make two

托带轮
Support wheel

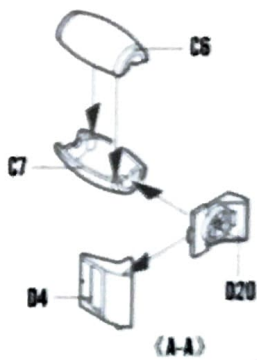


制作2组
Make two

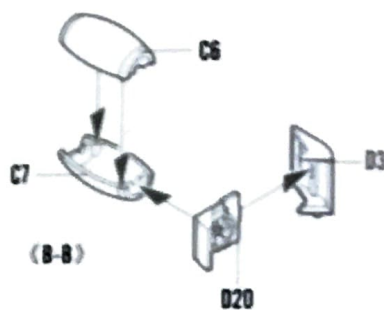
主动轮
Drive wheel



制作2组
Make two

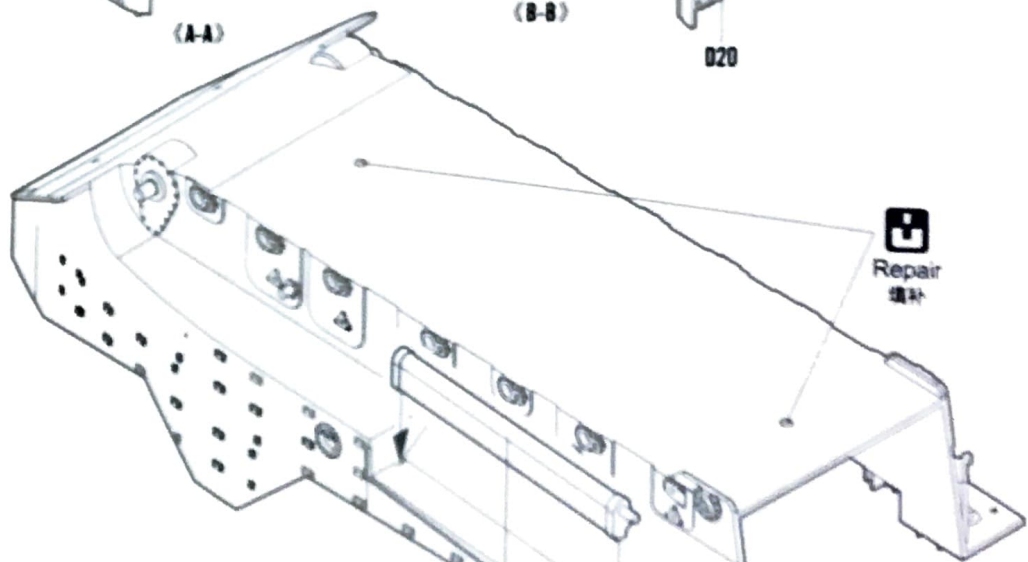


(A-A)



(B-B)

2
STEP



Repair
填补

X2

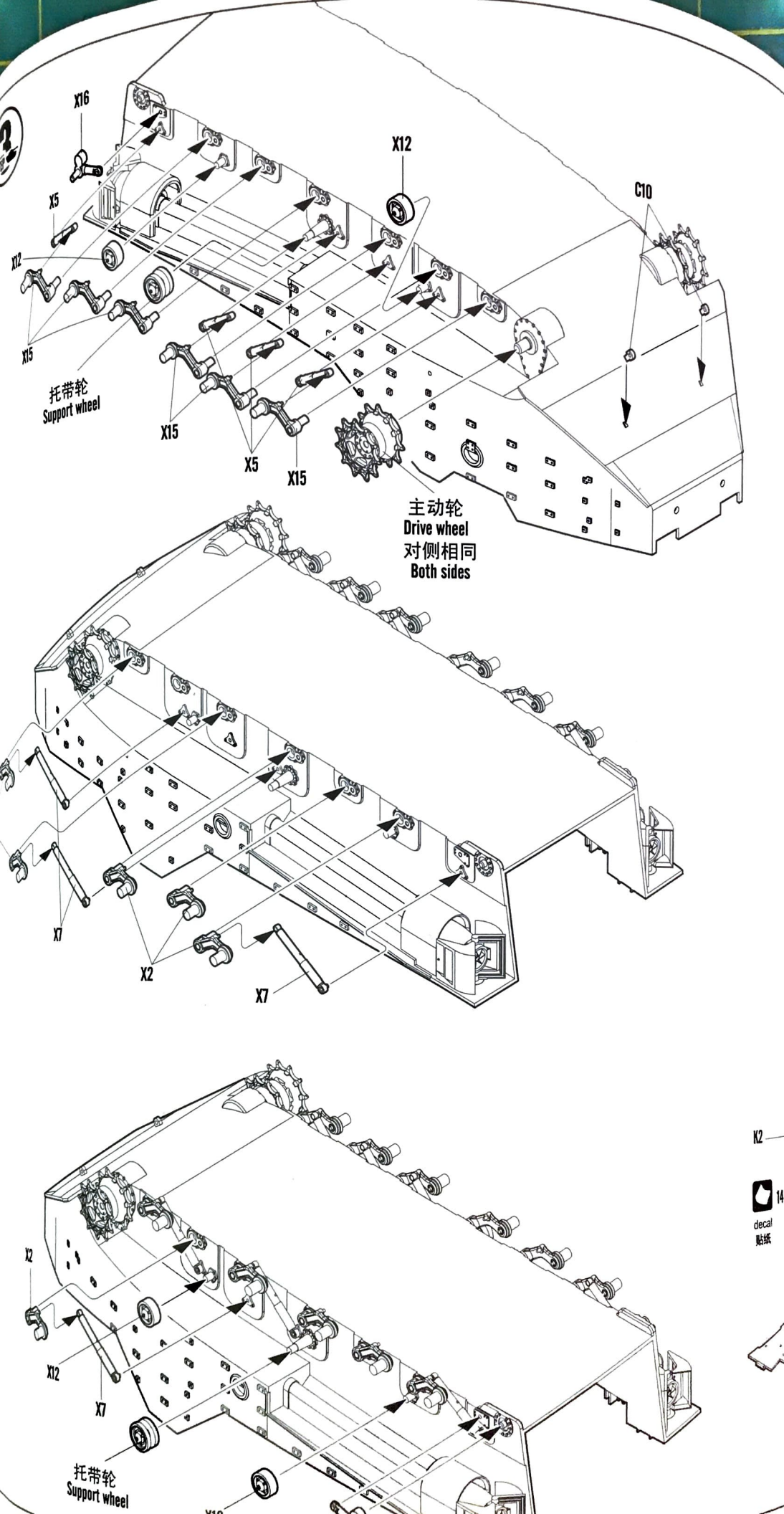
D19
对侧D18
Opposite

D1
对侧D2
Opposite

No cement
不涂胶水

D6
对侧D5
Opposite

(A-A)
对侧(B-B)
Opposite



托带轮
Support wheel

主动轮
Drive wheel
对侧相同
Both sides

托带轮
Support wheel

K2

14
decal
贴纸

STEP 4

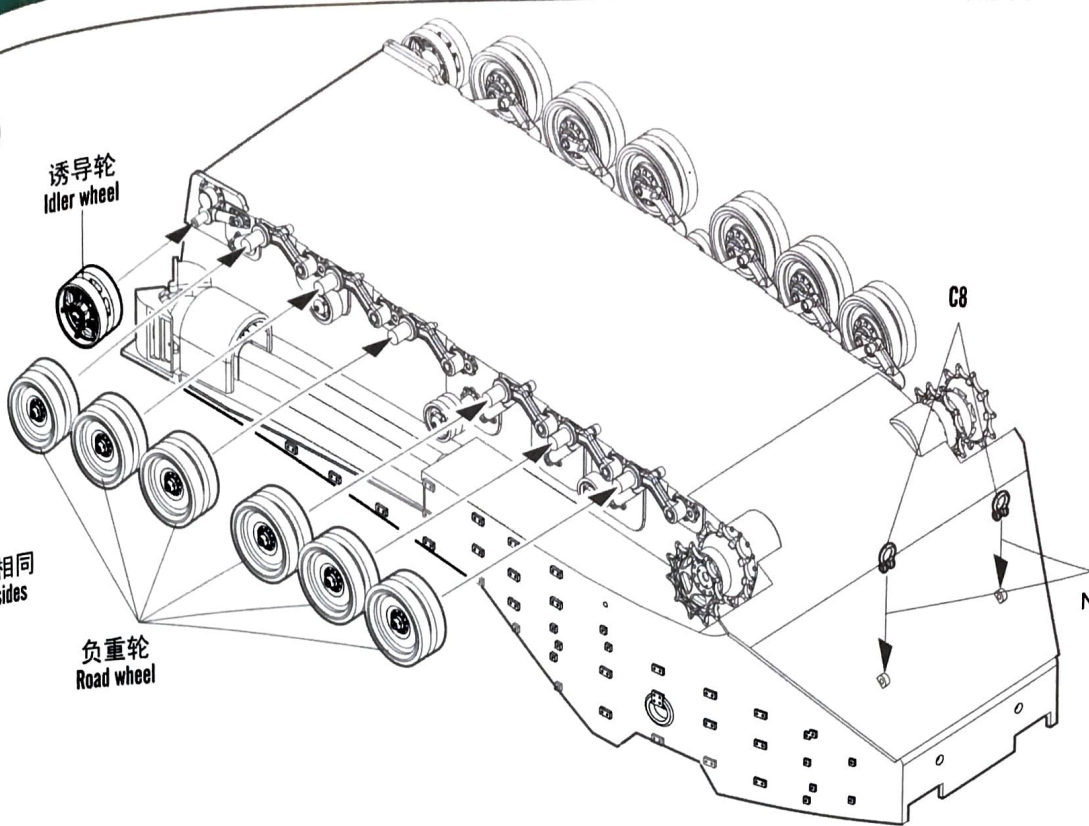
诱导轮
Idler wheel

对侧相同
Both sides

负重轮
Road wheel

C8

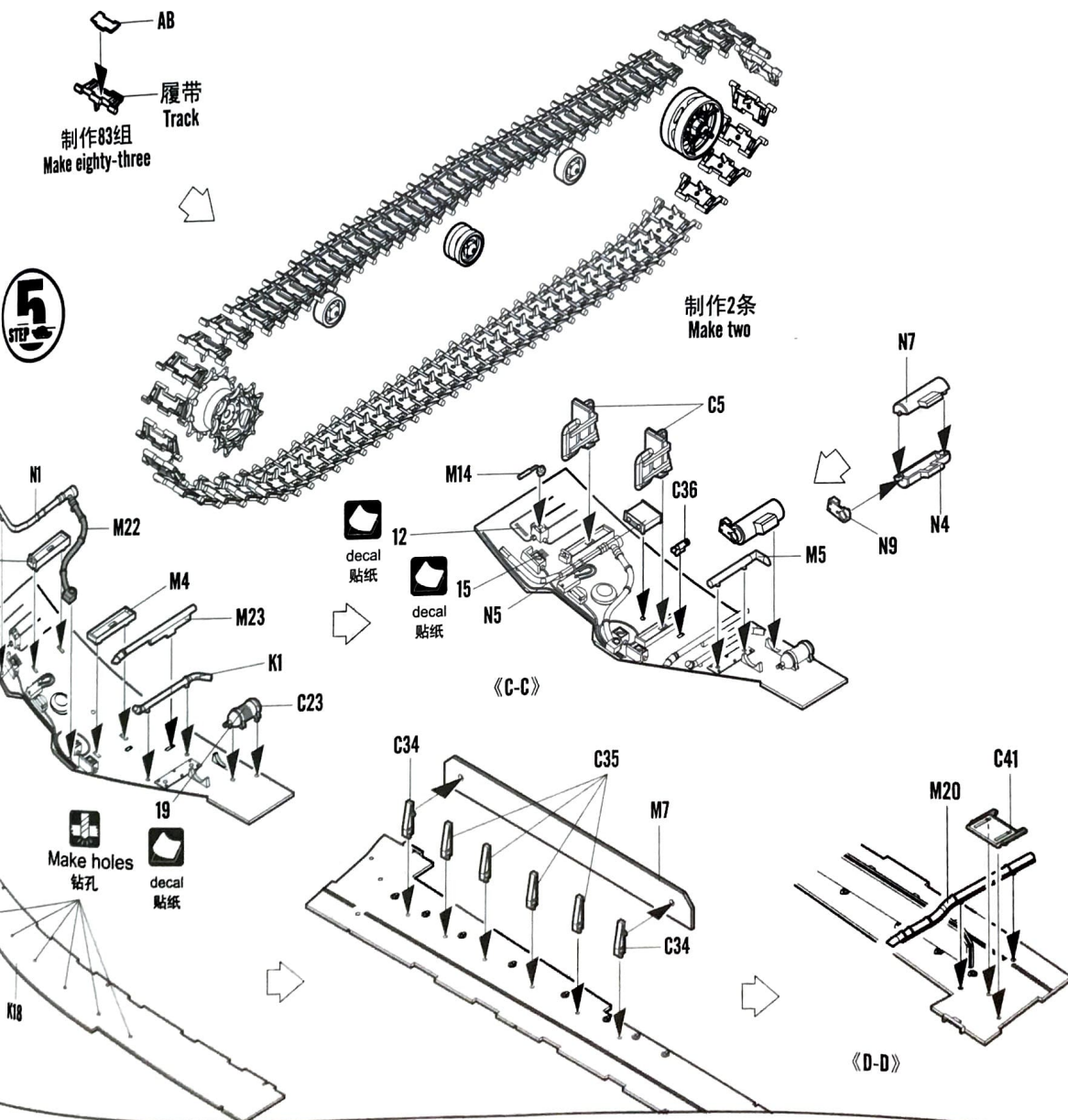
No cement
不涂胶水



AB
履带
Track
制作83组
Make eighty-three

STEP 5

制作2条
Make two



12
decal
贴纸

15
decal
贴纸

《C-C》

19
Make holes
钻孔

decal
贴纸

《D-D》



《C-C》

N17

K19

N18



Bend

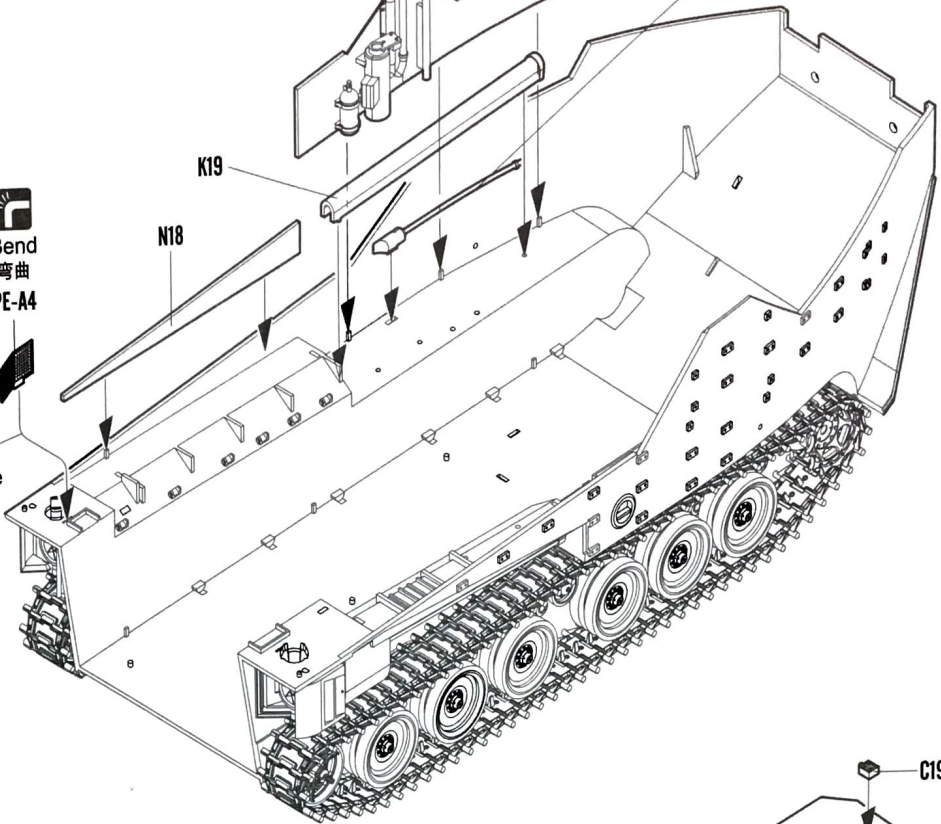
弯曲

PE-A4

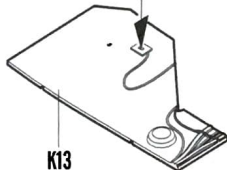


Acrylic glue

强力胶



C19



K13

《F-F》

C29

C31

C30

《E-E》

制作2组

Make two

C1x6

C20

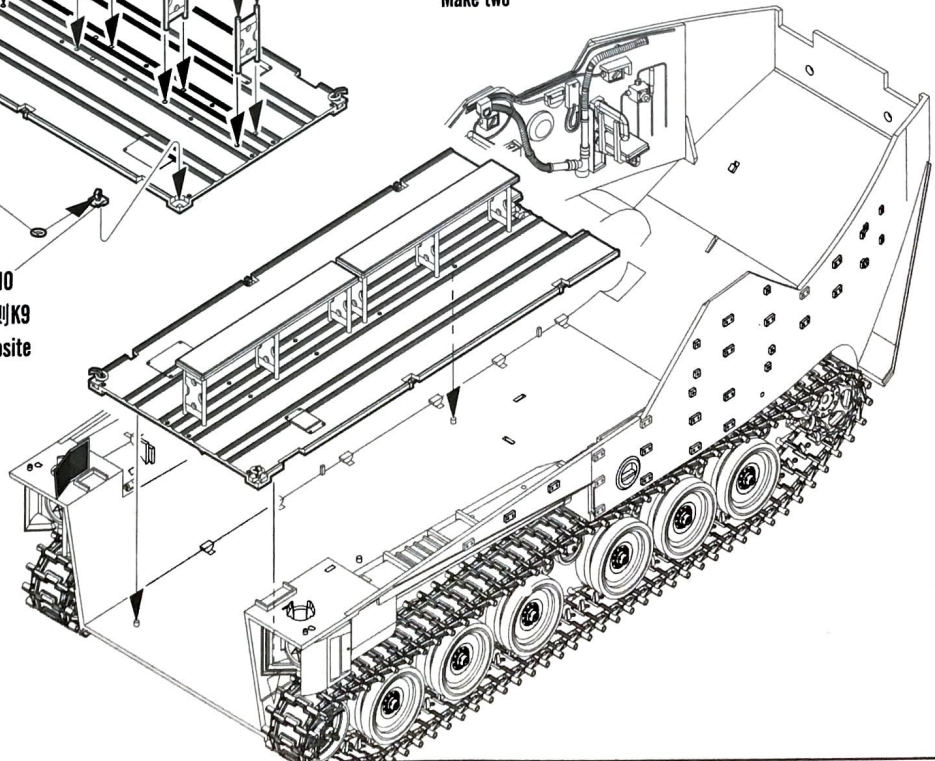
J2

对侧相同
Both sides

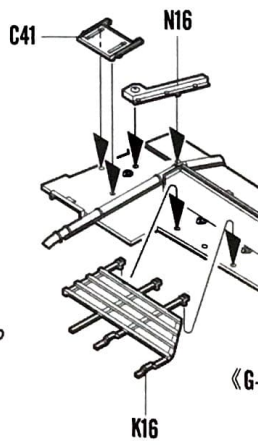
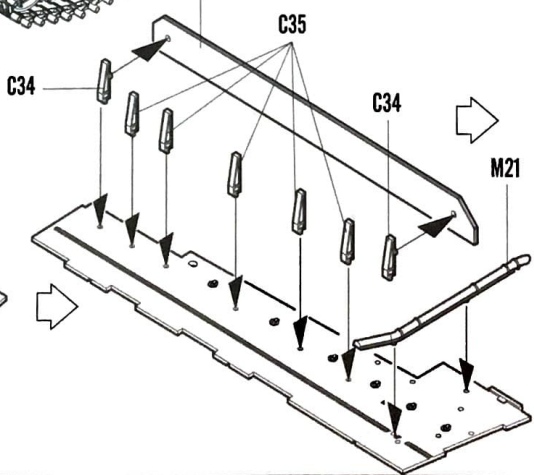
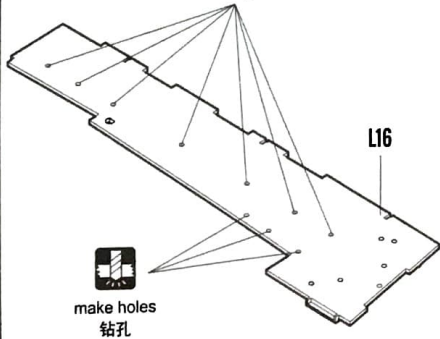
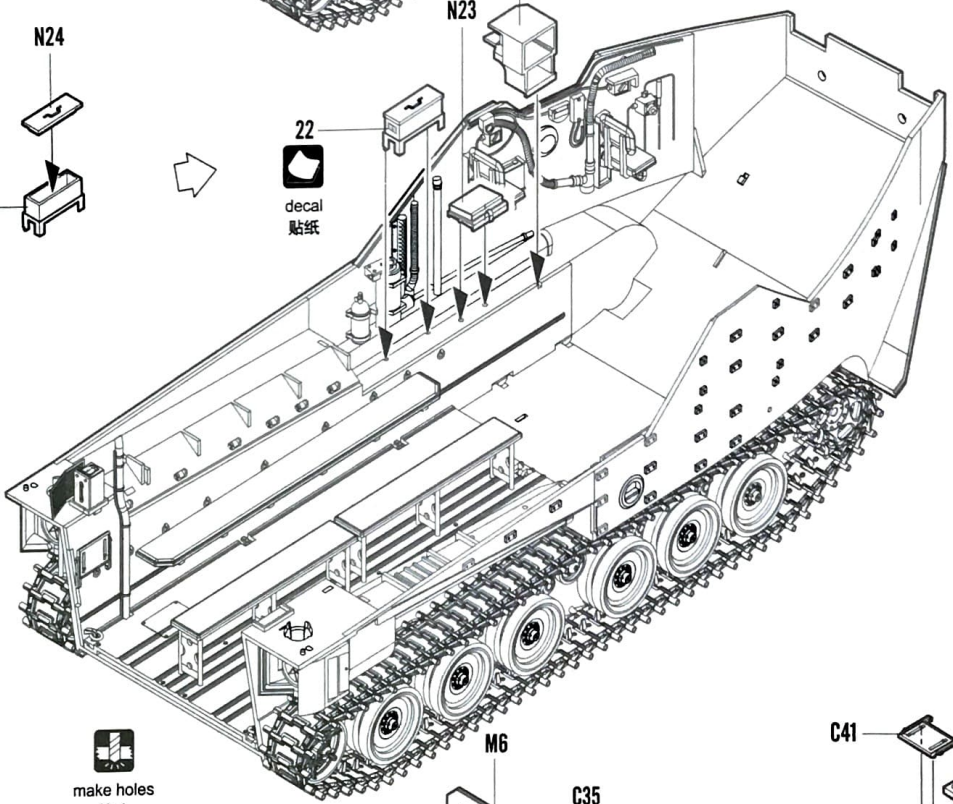
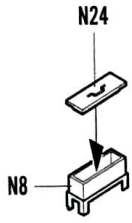
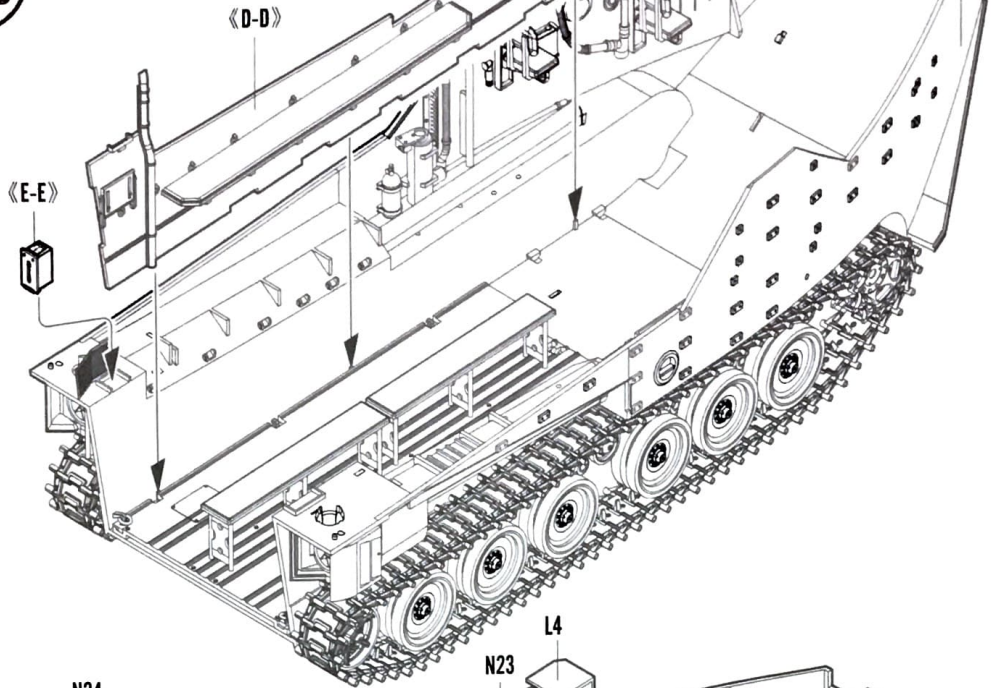
C9

K10

对侧K9
Opposite



7
STEP





N26

decal
贴纸
19

N6

C24

C24

19

N21

decal
贴纸

L17

《G-G》

bend
弯曲
PE-A5

Using CA super glue
使用强力胶

Using CA super glue
使用强力胶

L12

L13

PE-A10

PE-A10
bend
弯曲

bend
弯曲

C39

C40

制作3组
Make three

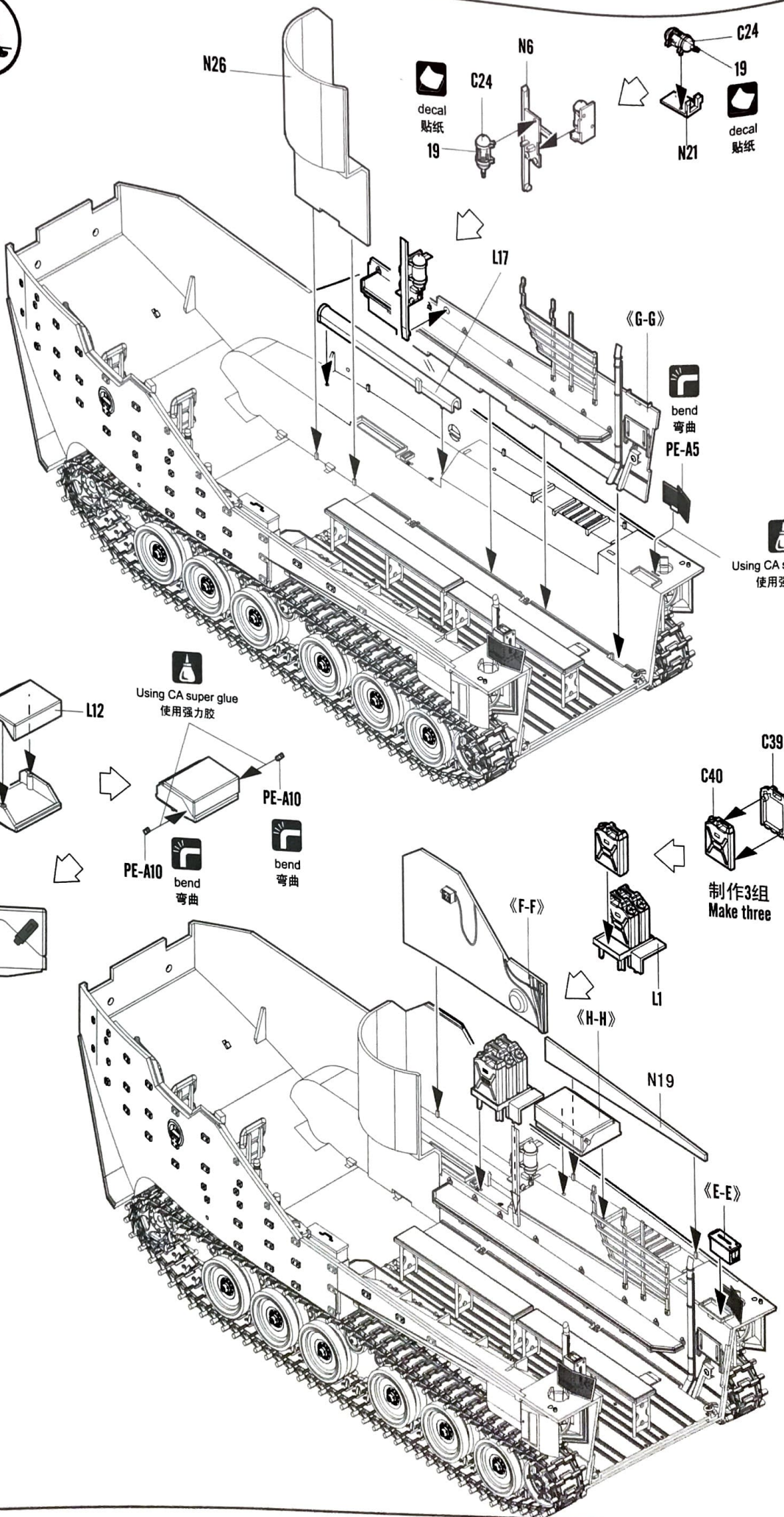
《F-F》

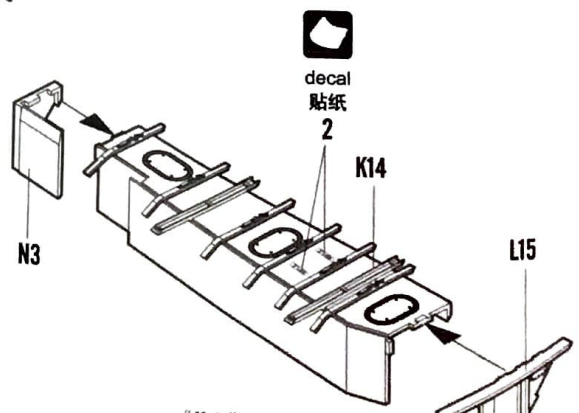
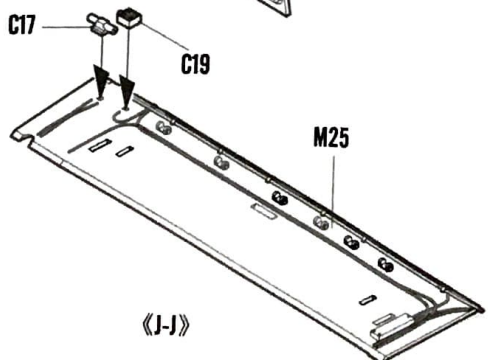
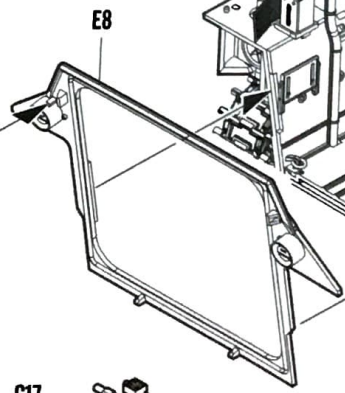
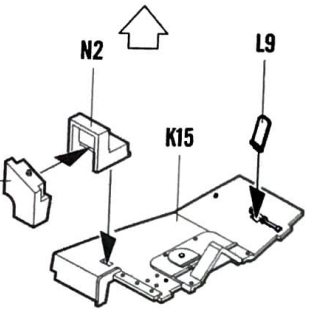
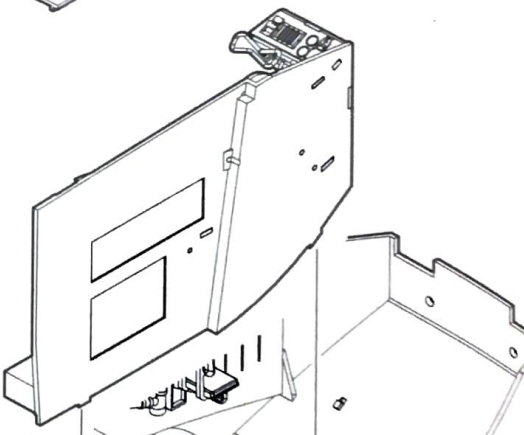
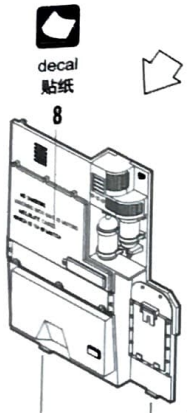
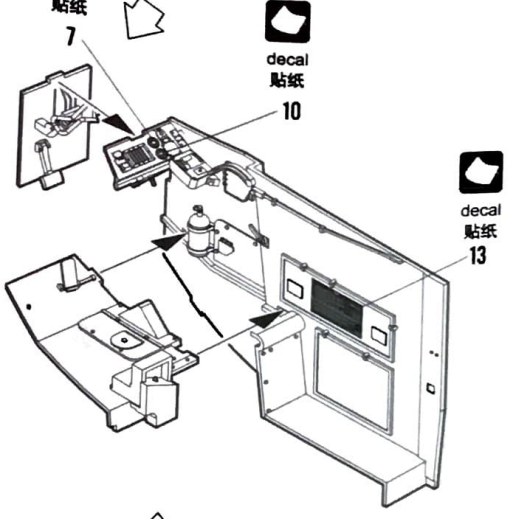
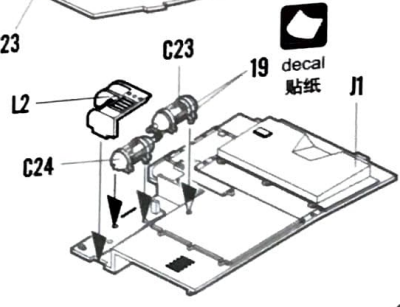
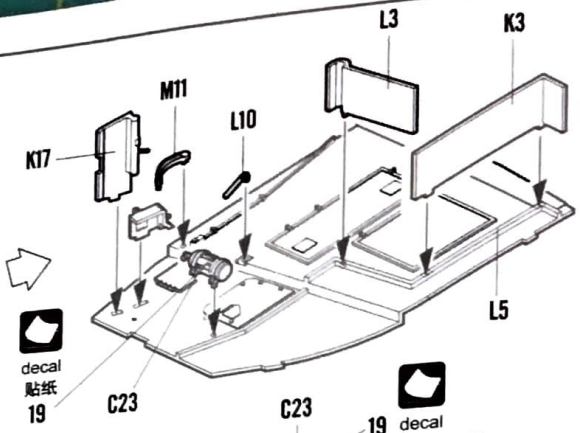
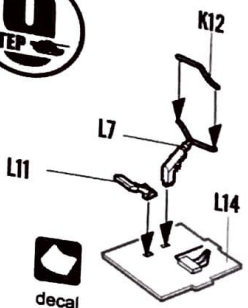
《H-H》

N19

《E-E》

《H-H》

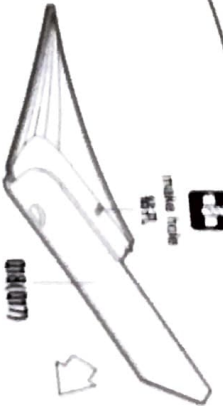




《J-J》

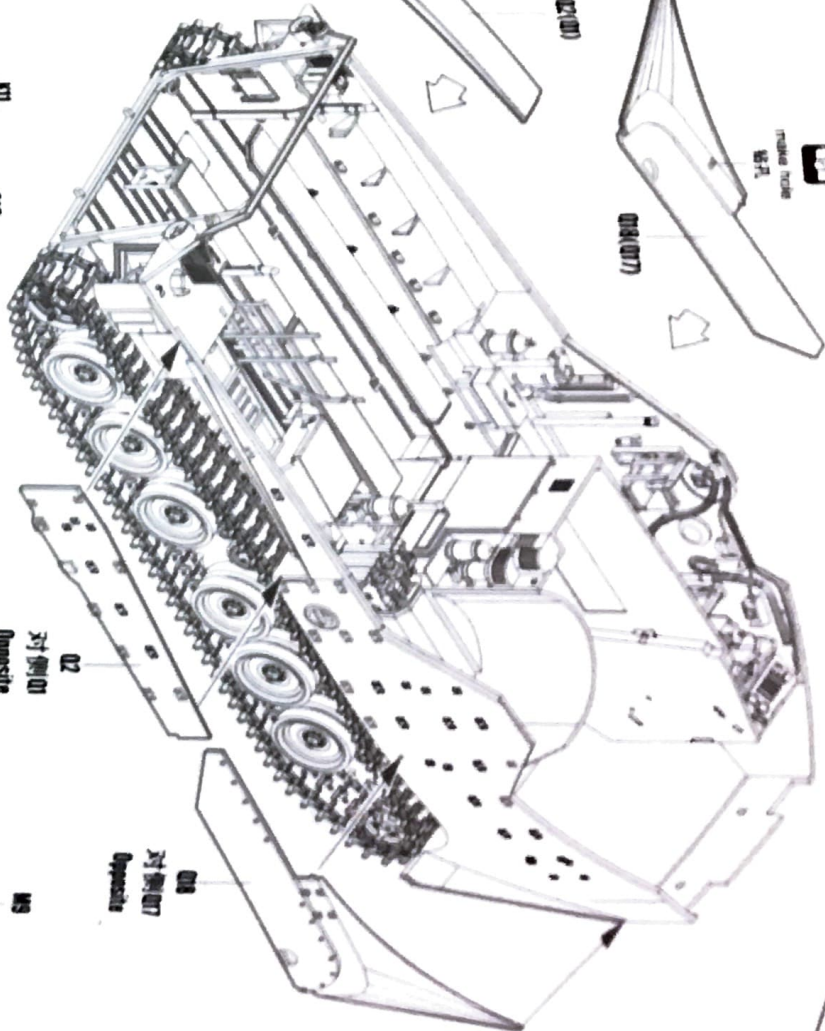


make holes
钻孔



Q1A/Q17

Q2/Q10

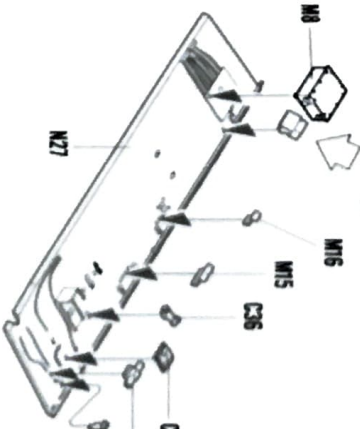


Q2
对侧Q1
Opposite

Q1A
对侧Q7
Opposite

K11
C19

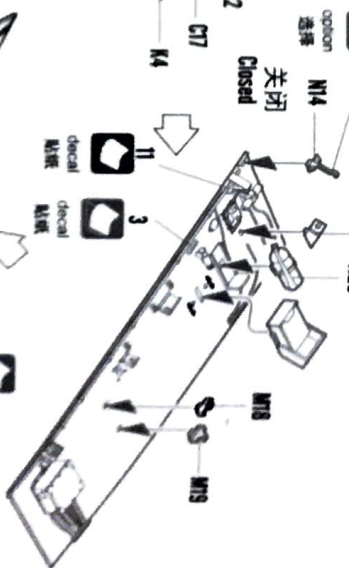
M9
M10



option
选择

Open
打开

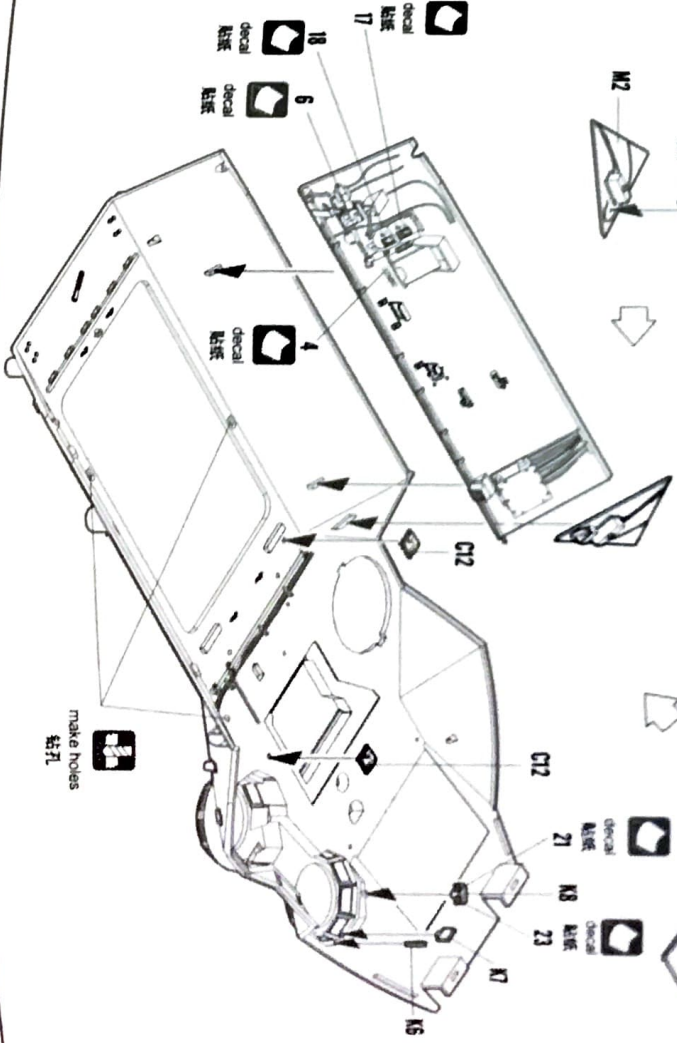
Closed
关闭



11
3
decal
贴纸

21
K8
23
decal
贴纸

M2
M17



18
6
decal
贴纸

4
1
decal
贴纸

make holes
钻孔



Decal

贴纸



N25

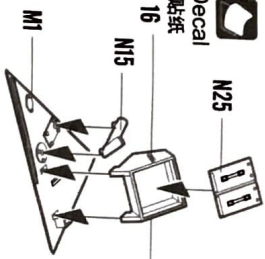
16

贴纸

M1

M15

N22



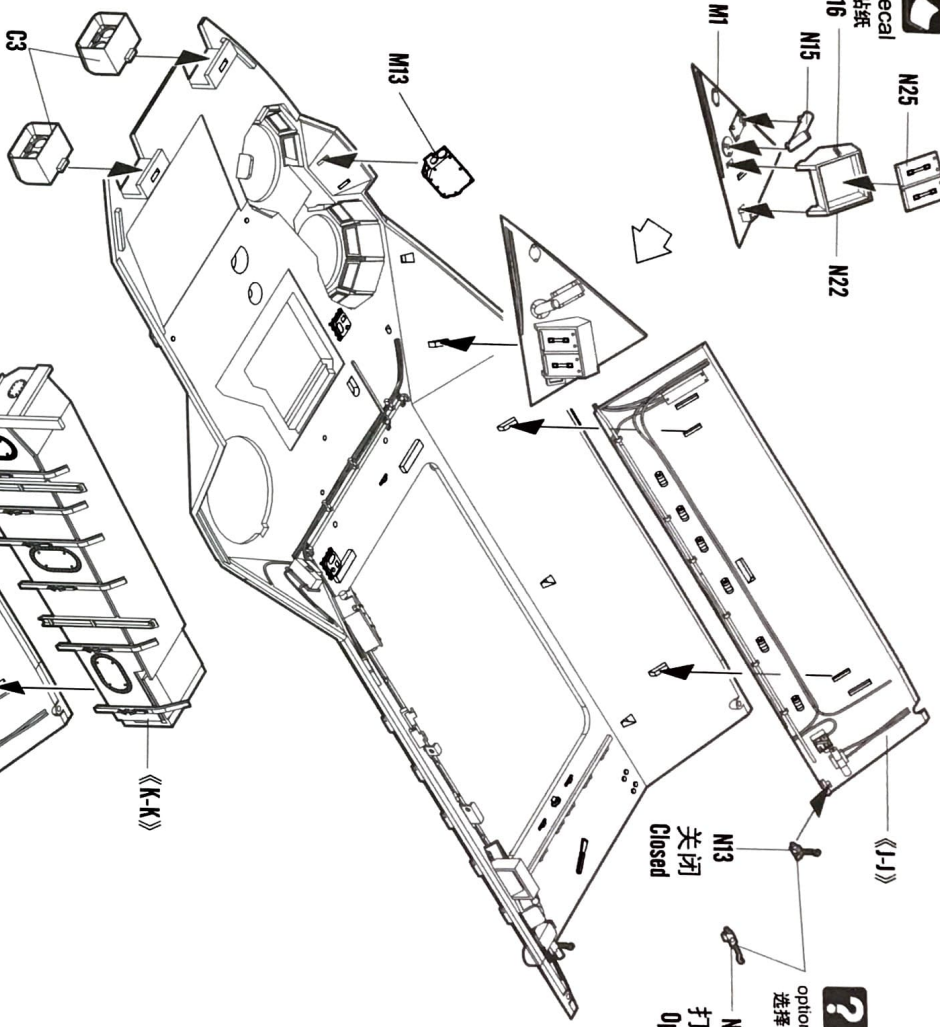
《J-1》

option
选择



N13
关闭
Closed

N11
打开
Open



《K-K》

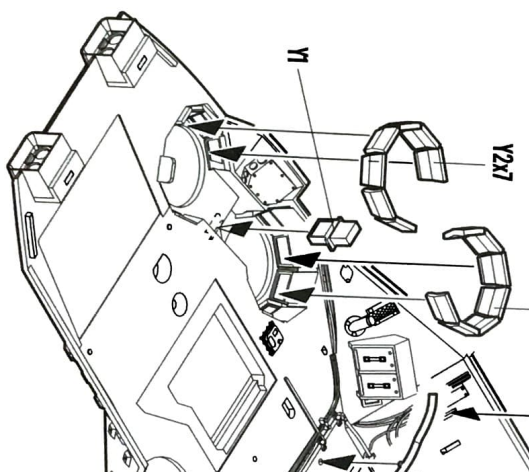
M24



Y27

Y27

Y1

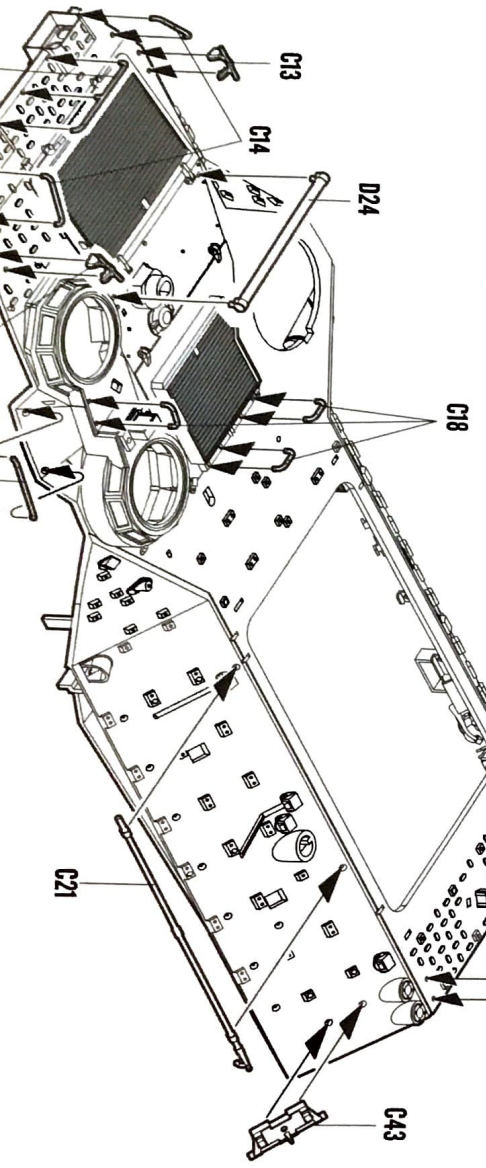


C18

D24

C14

C13



13
STEP

PE-A8
bend
弯曲

Using CA super glue
使用强力胶

PE-A7
bend
弯曲

C42
R19
R15

(L-L)
制作2组
Make two

Using CA super glue
使用强力胶

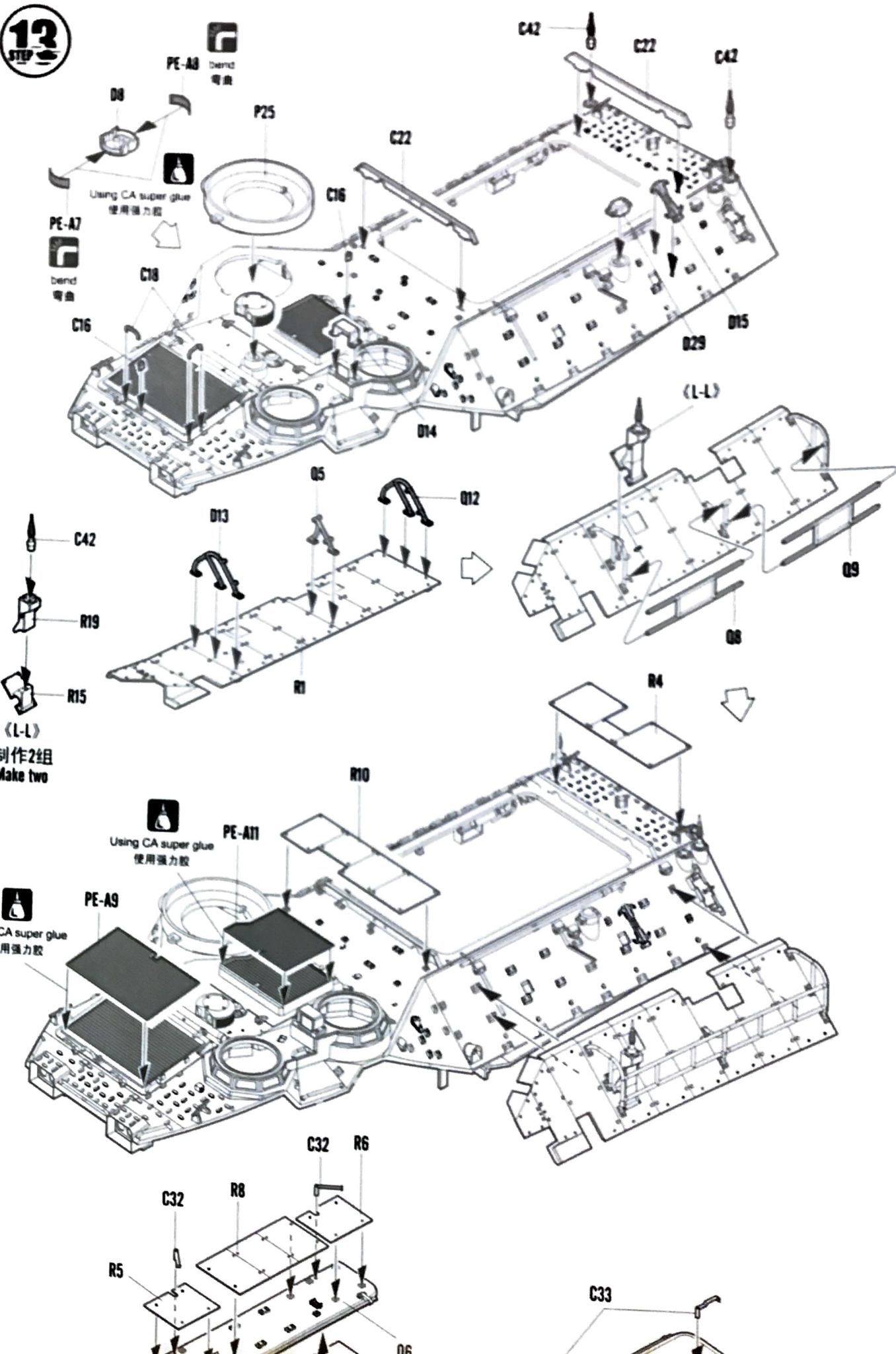
PE-A9

Using CA super glue
使用强力胶

PE-A11

C32 **R6**
C32 **R8**
R5

C33



STEP 11

Using CA super glue
使用强力胶

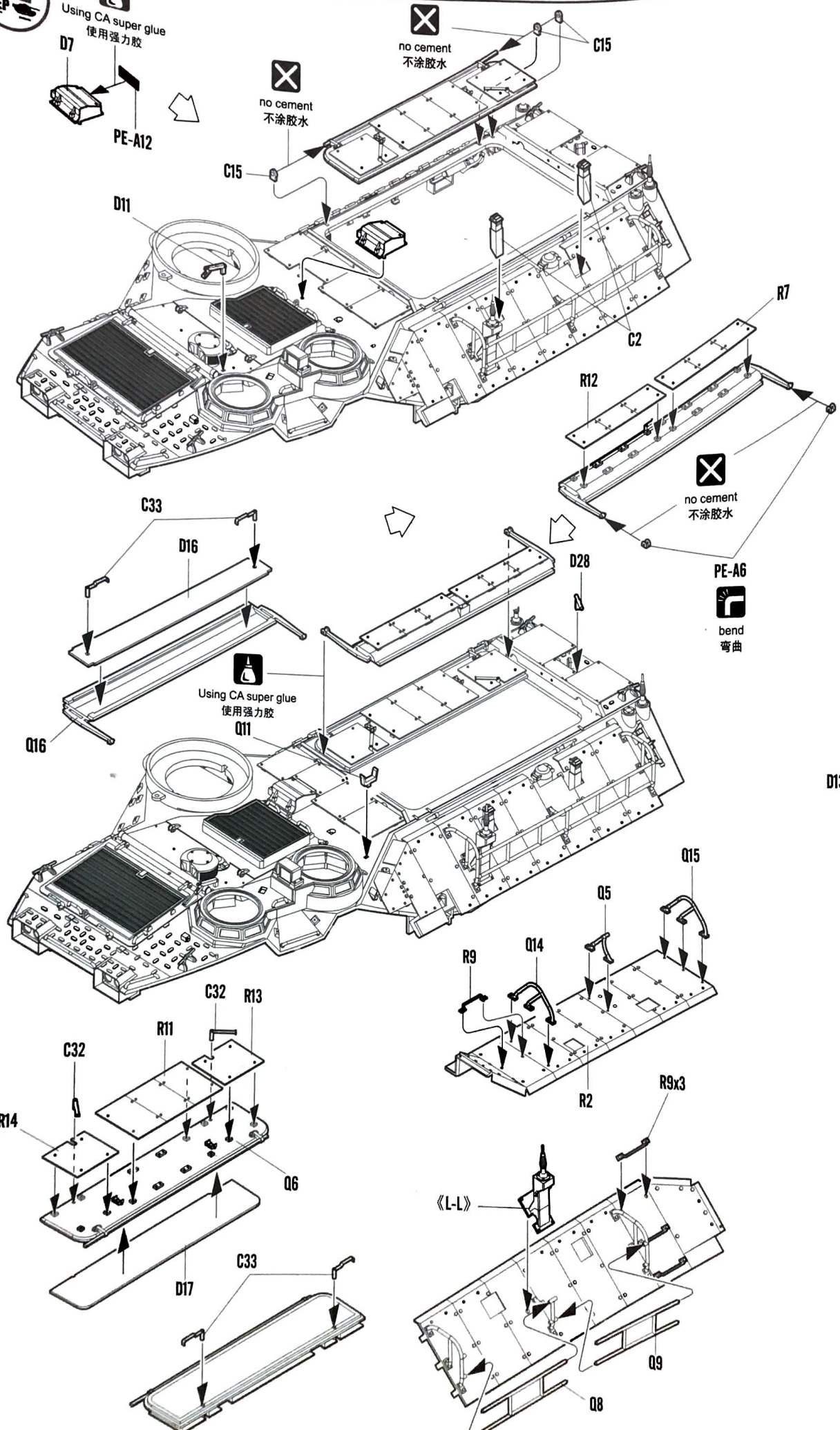
no cement
不涂胶水

no cement
不涂胶水

no cement
不涂胶水

Using CA super glue
使用强力胶

PE-A6
bend
弯曲



15
STEP



no cement
不涂胶水



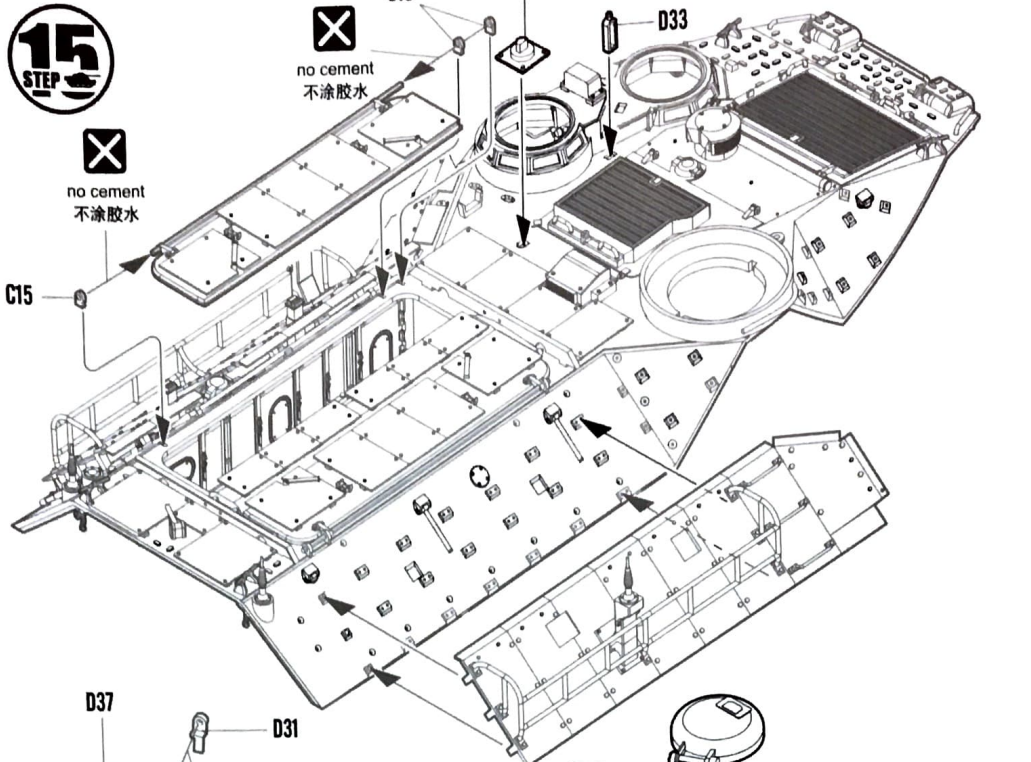
no cement
不涂胶水

C15

C15

Q10

D33



D37

D31



no cement
不涂胶水

D27

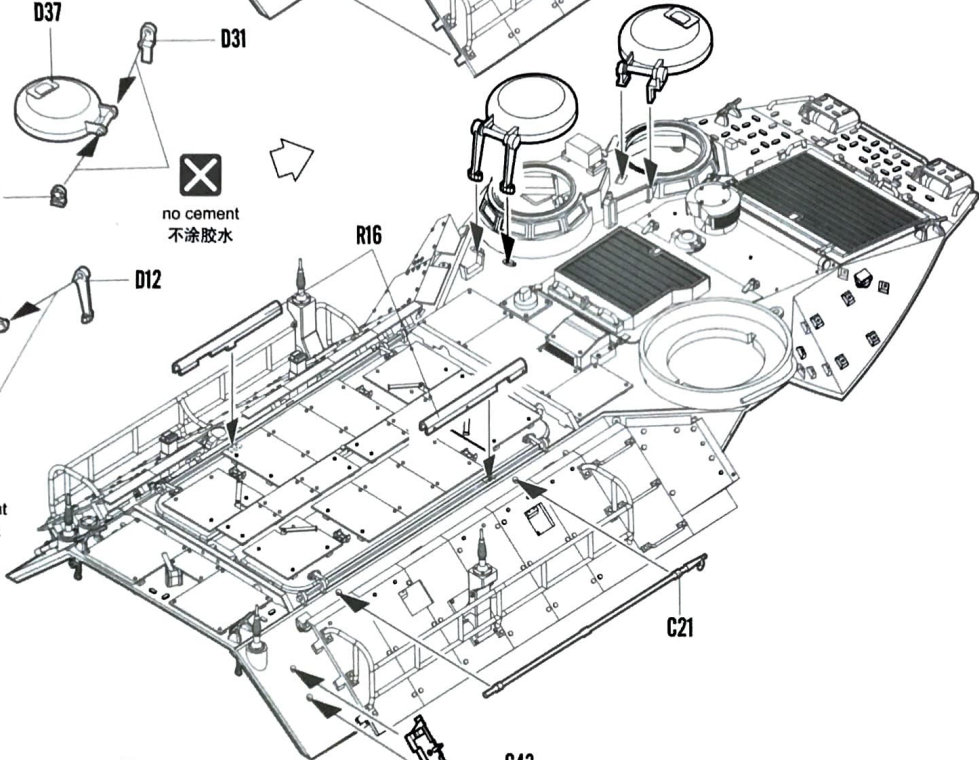
D36

D12

R16



no cement
不涂胶水



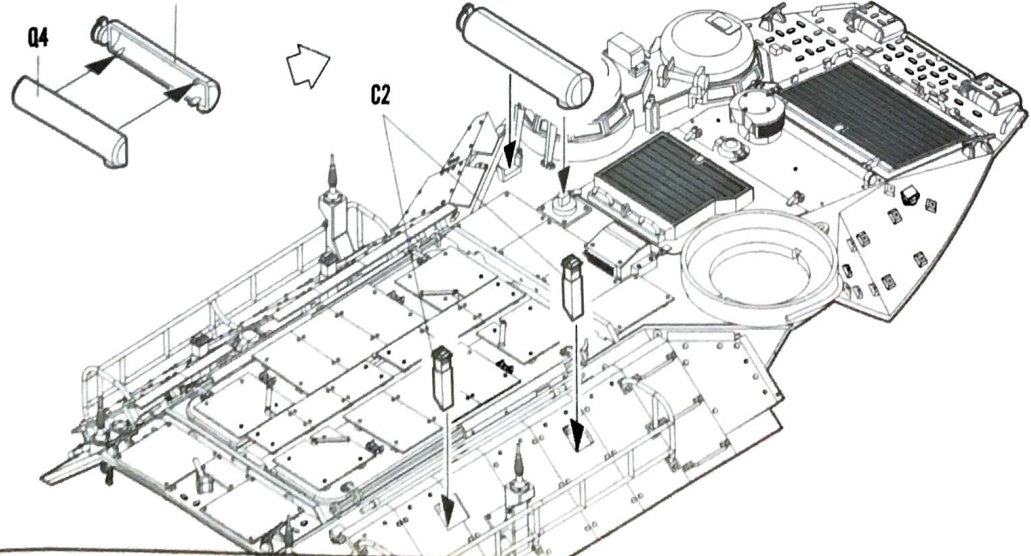
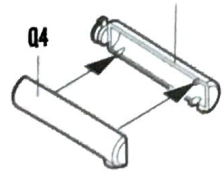
C21

C43

Q3

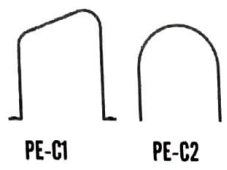
Q4

C2



C2

16
STEP



PE-C1

PE-C2



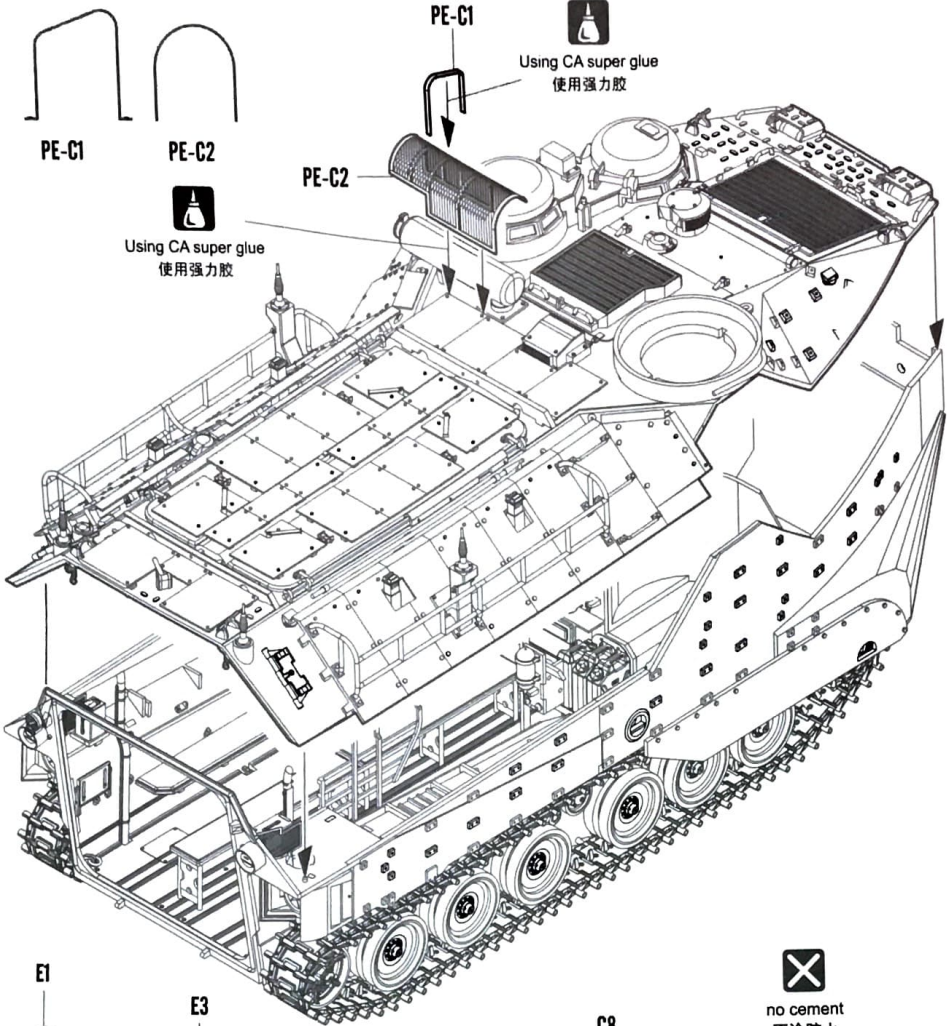
Using CA super glue
使用强力胶

PE-C1

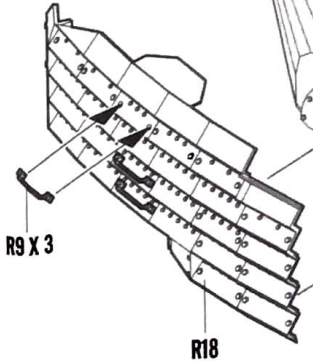


Using CA super glue
使用强力胶

PE-C2



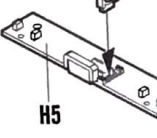
17
STEP



R9 X 3

R18

H4

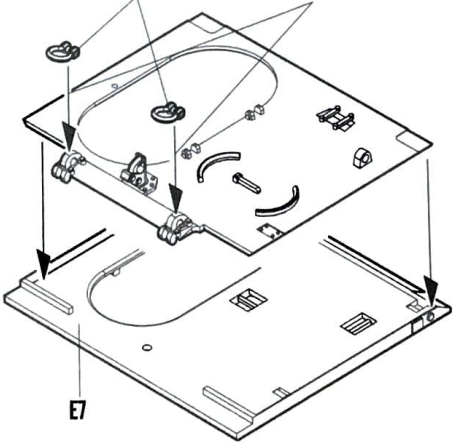


H5



no cement
不涂胶水

C8

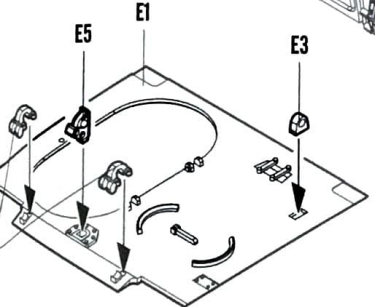


E7

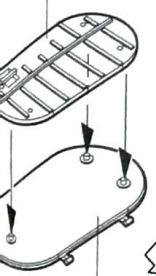
E5

E1

E3

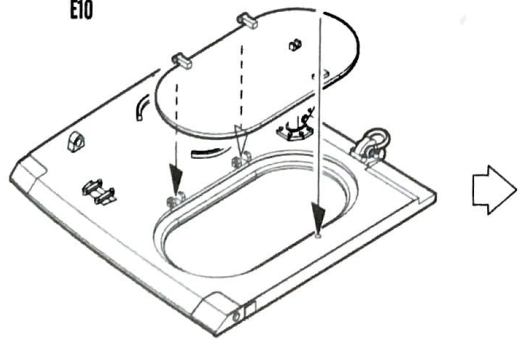


E9

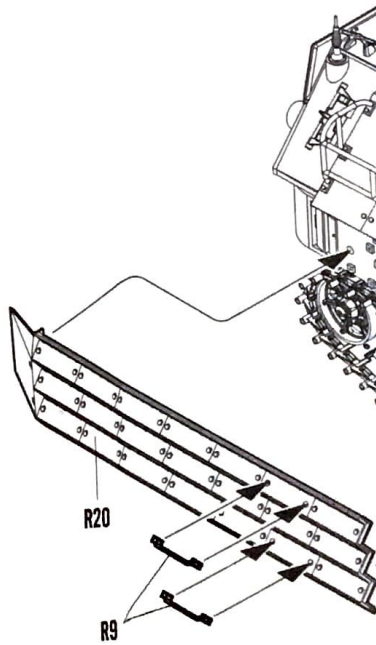
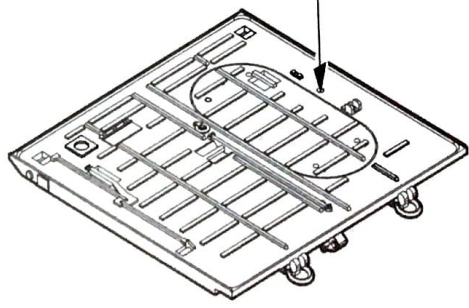


E10

E6



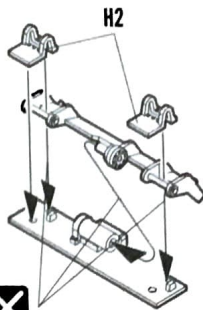
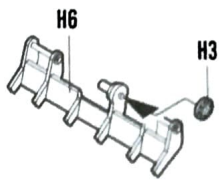
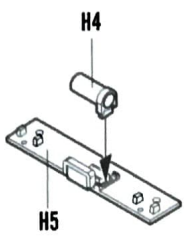
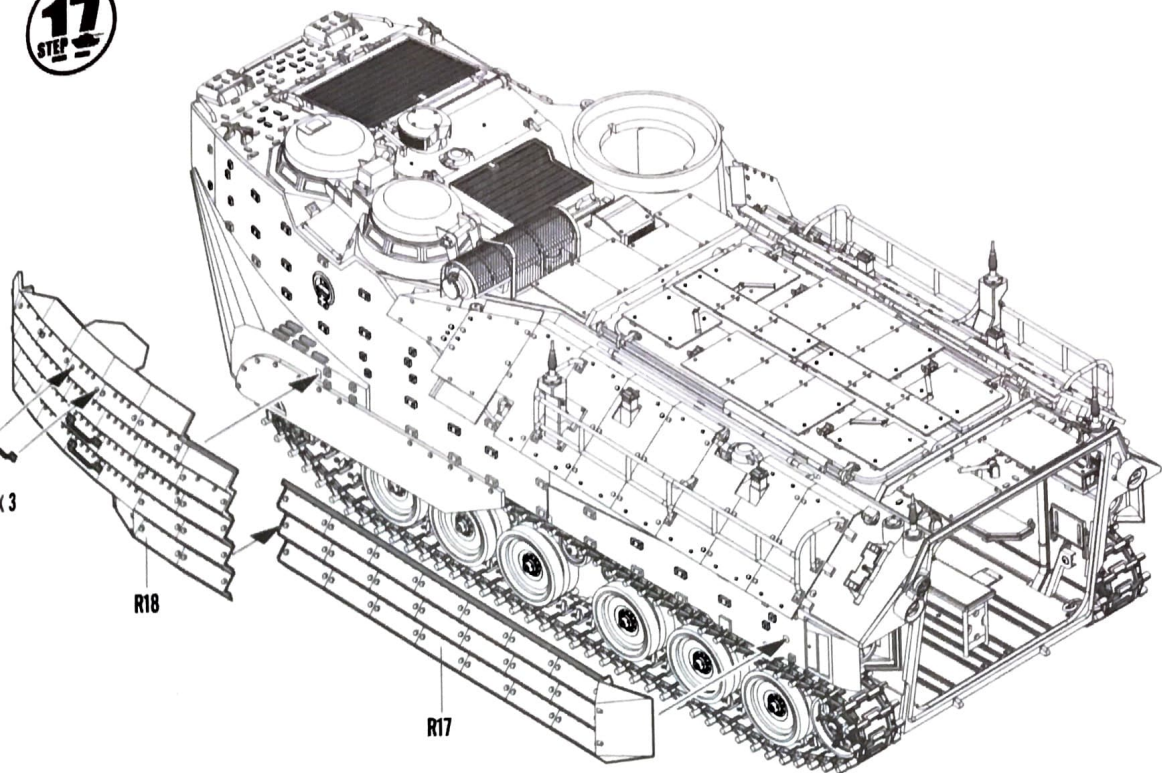
E2



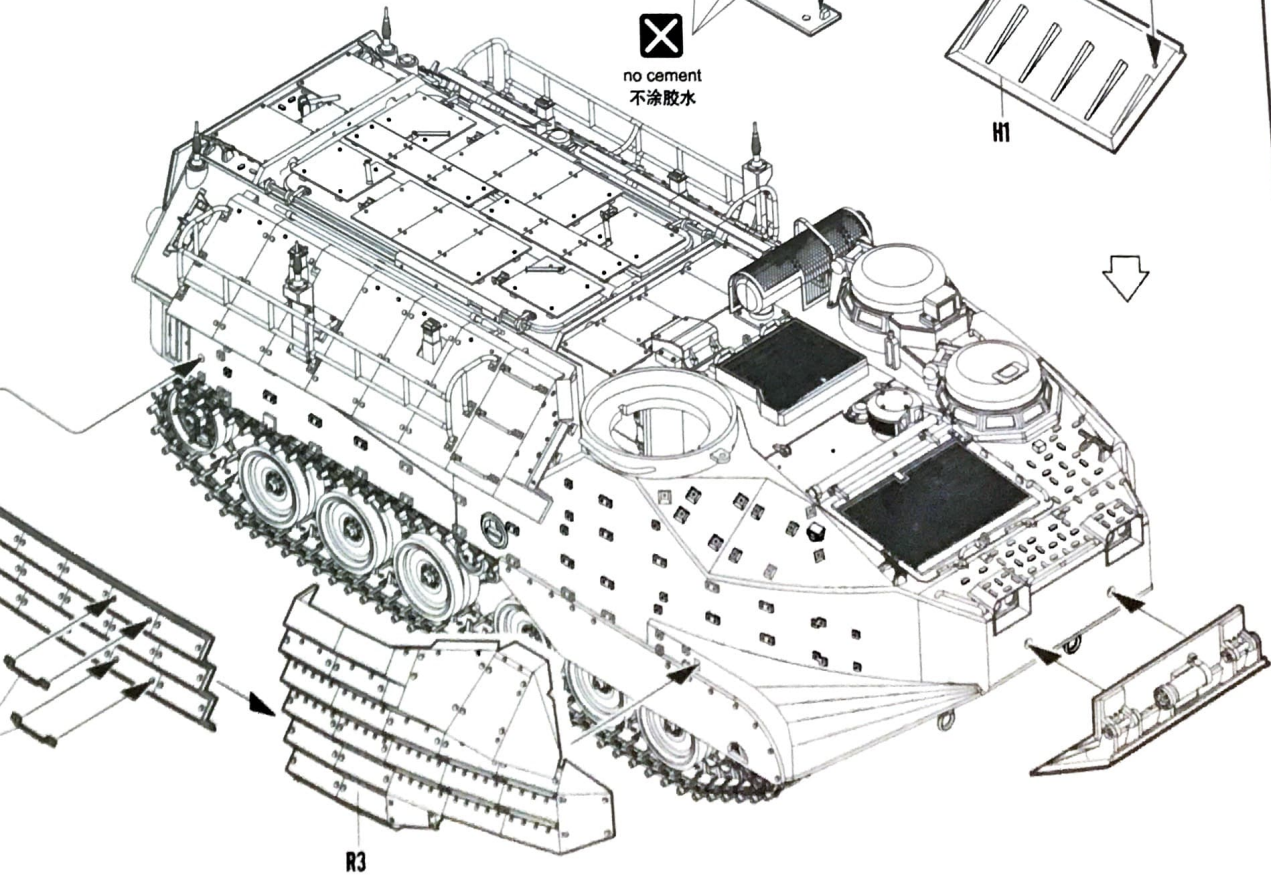
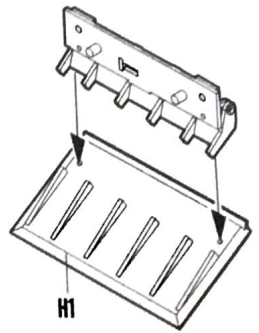
R20

R9

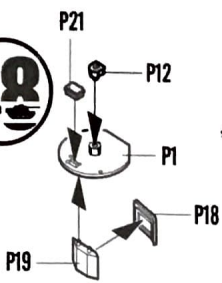
17
STEP



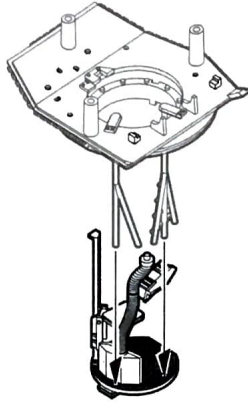
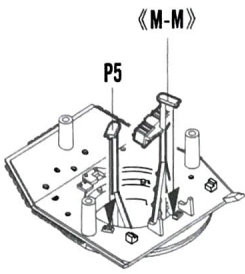
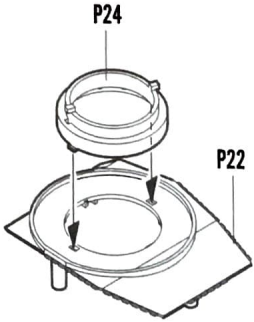
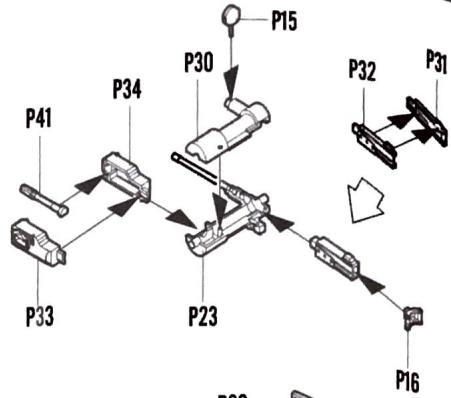
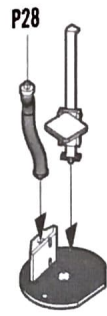
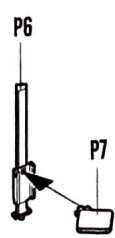
no cement
不涂胶水



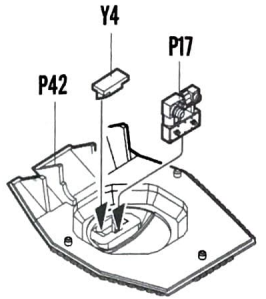
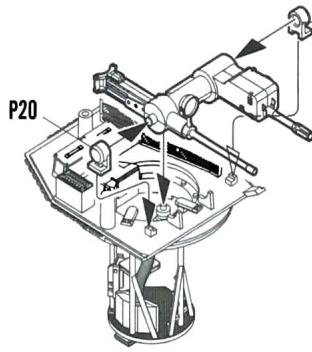
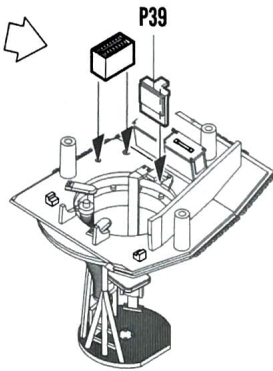
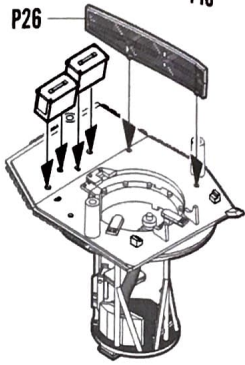
18
STEP



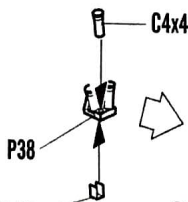
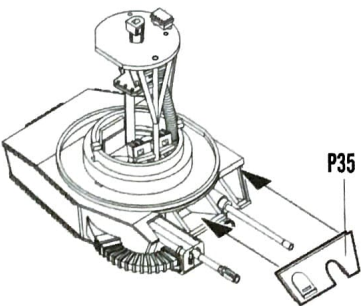
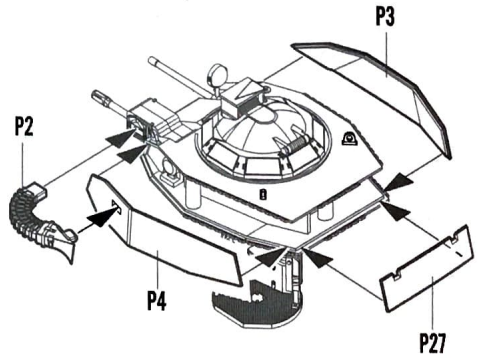
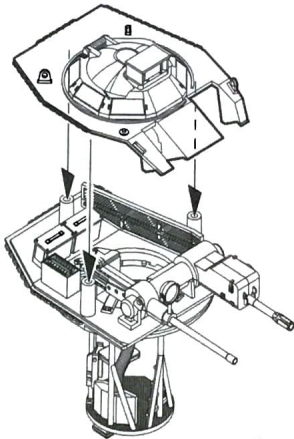
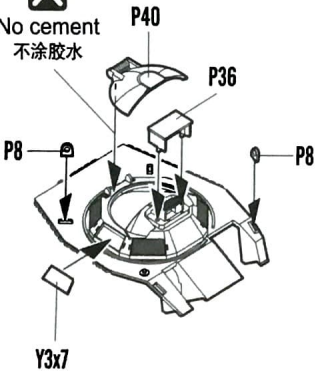
《M-M》



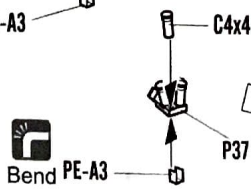
制作2组
Make two



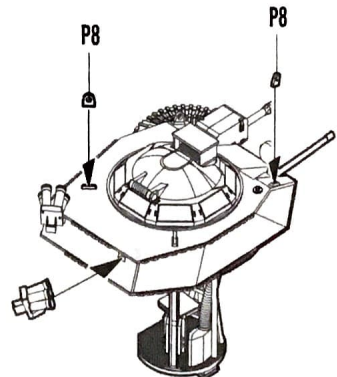
✘
No cement
不涂胶水



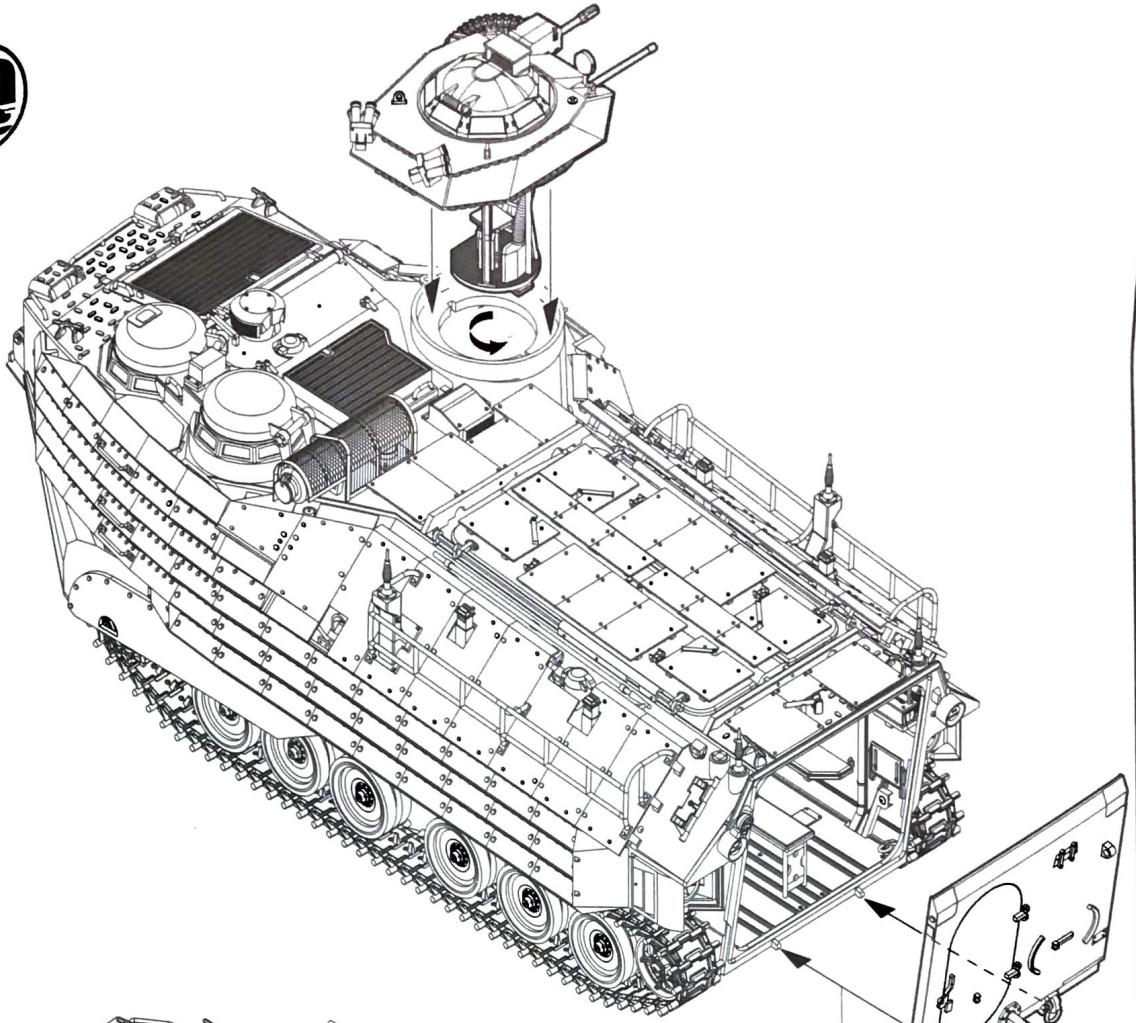
PE-A3
Bend
弯曲



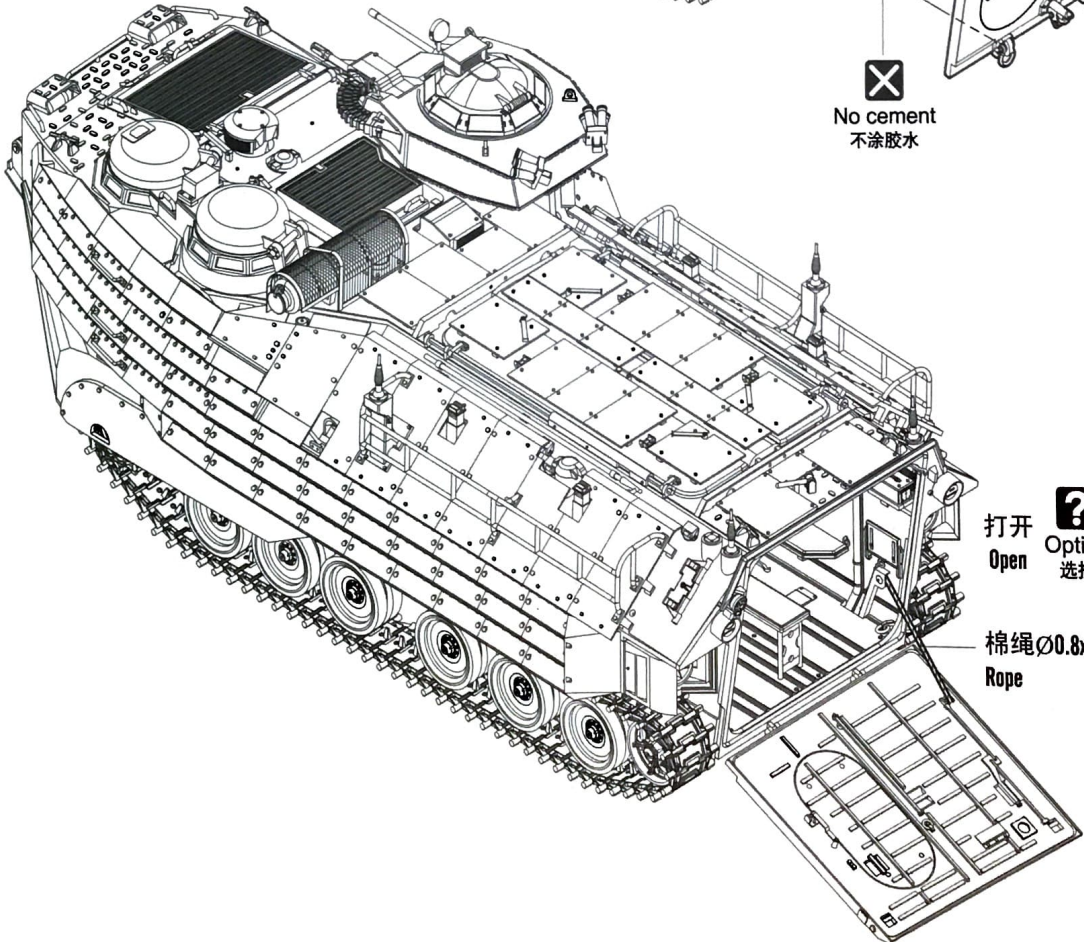
PE-A3
Bend
弯曲



10
STEP



No cement
不涂胶水

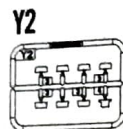
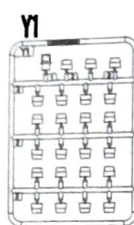
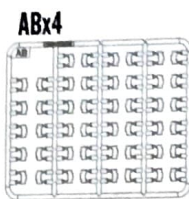
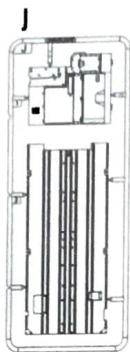
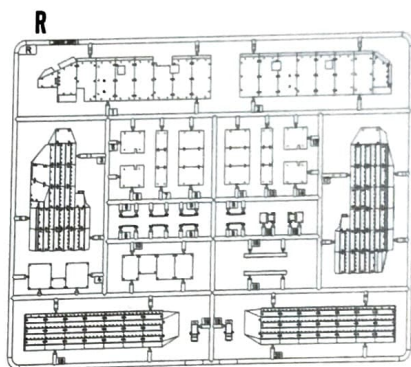
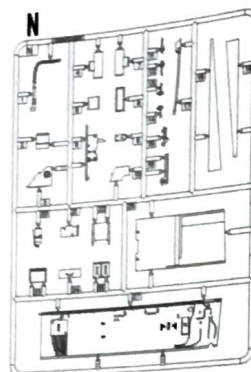
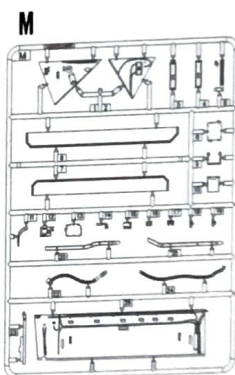
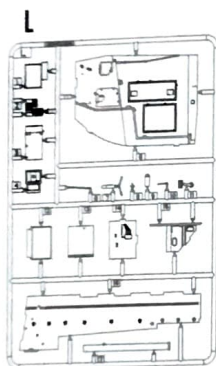
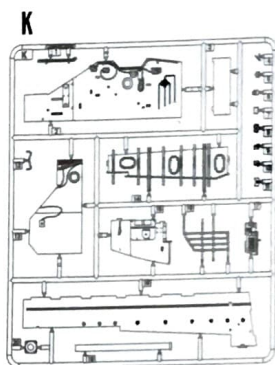
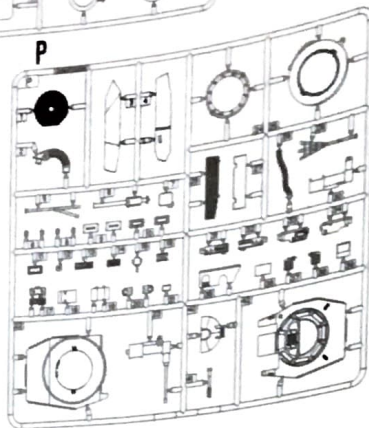
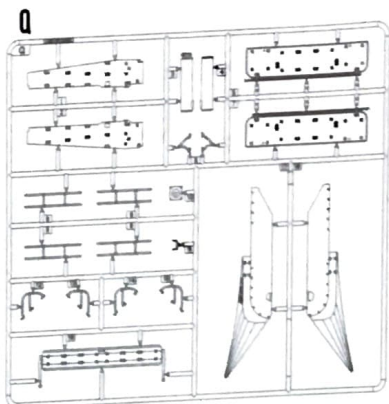
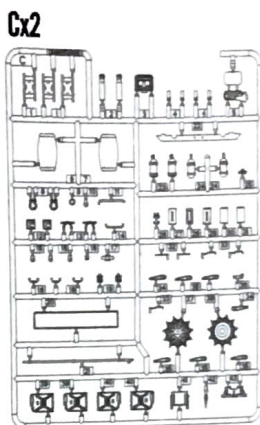
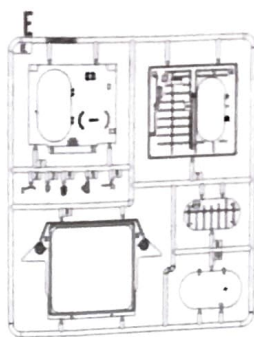
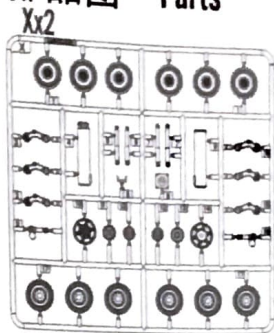


打开 ? 关闭
Open Option closed
选择

棉绳 $\varnothing 0.8 \times 27 \text{mm}$
Rope

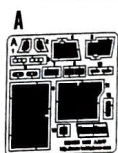
0 10 20 30 40 50
mm

部品图 Parts



蚀刻片

Photo etched parts(PE)



履带

Track x90

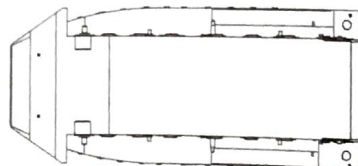


棉绳 Rope

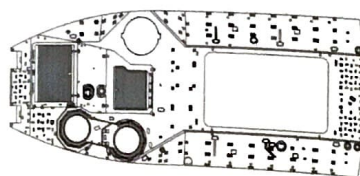
∅0.8x50mm



车底
Lower hull



车面
Upper hull

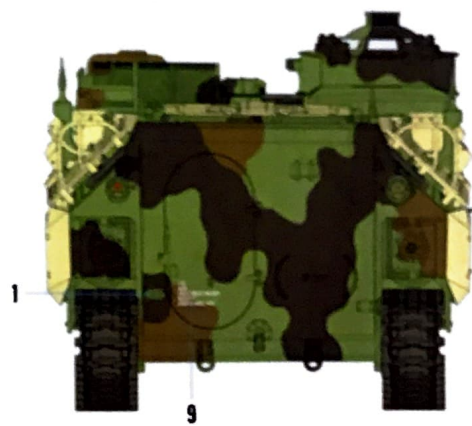
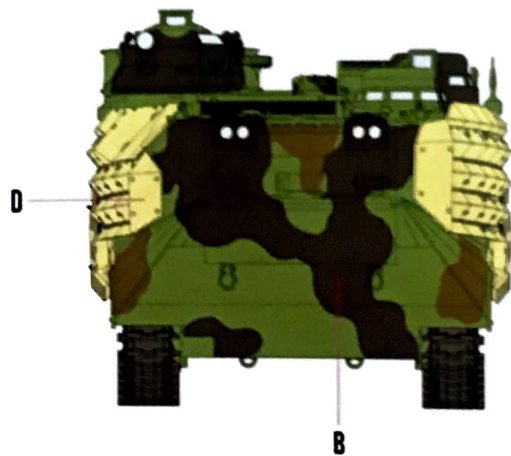
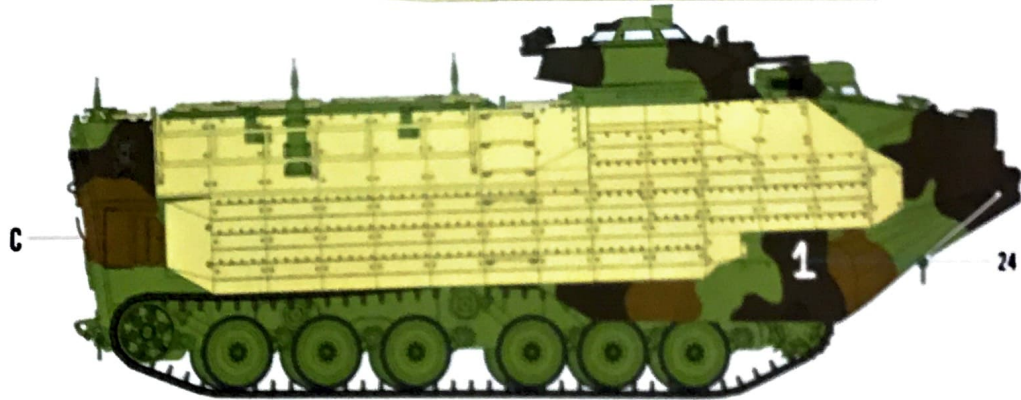
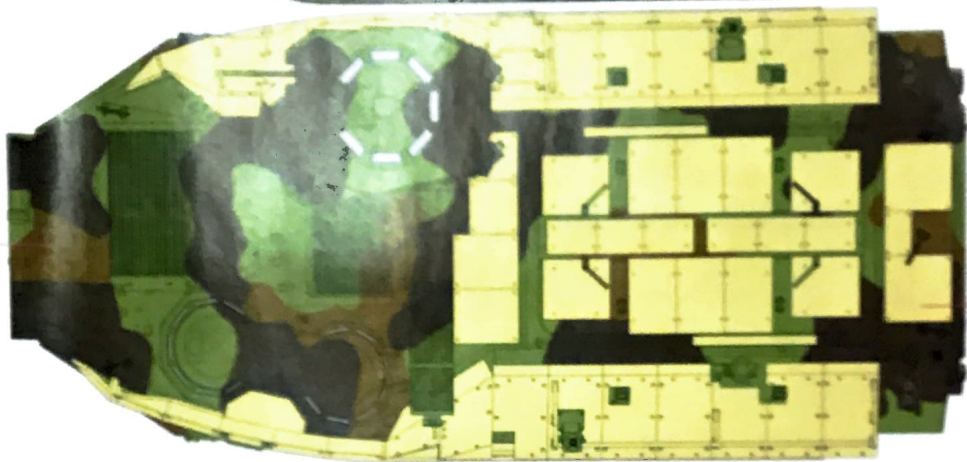
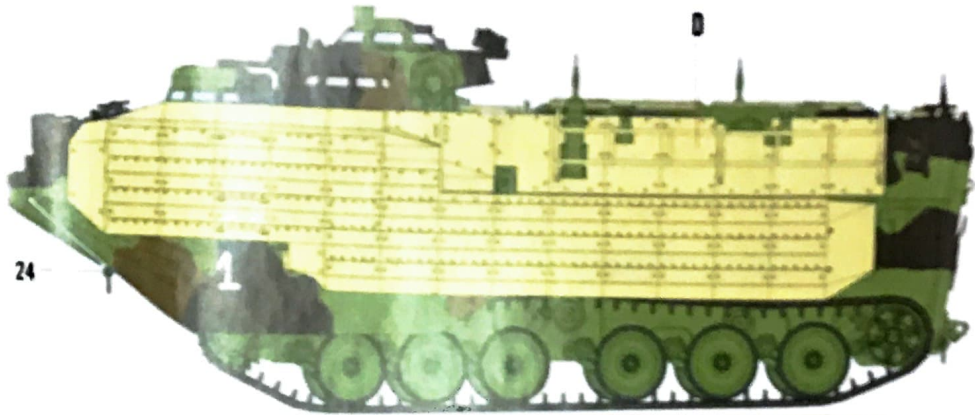


水贴纸
Decal

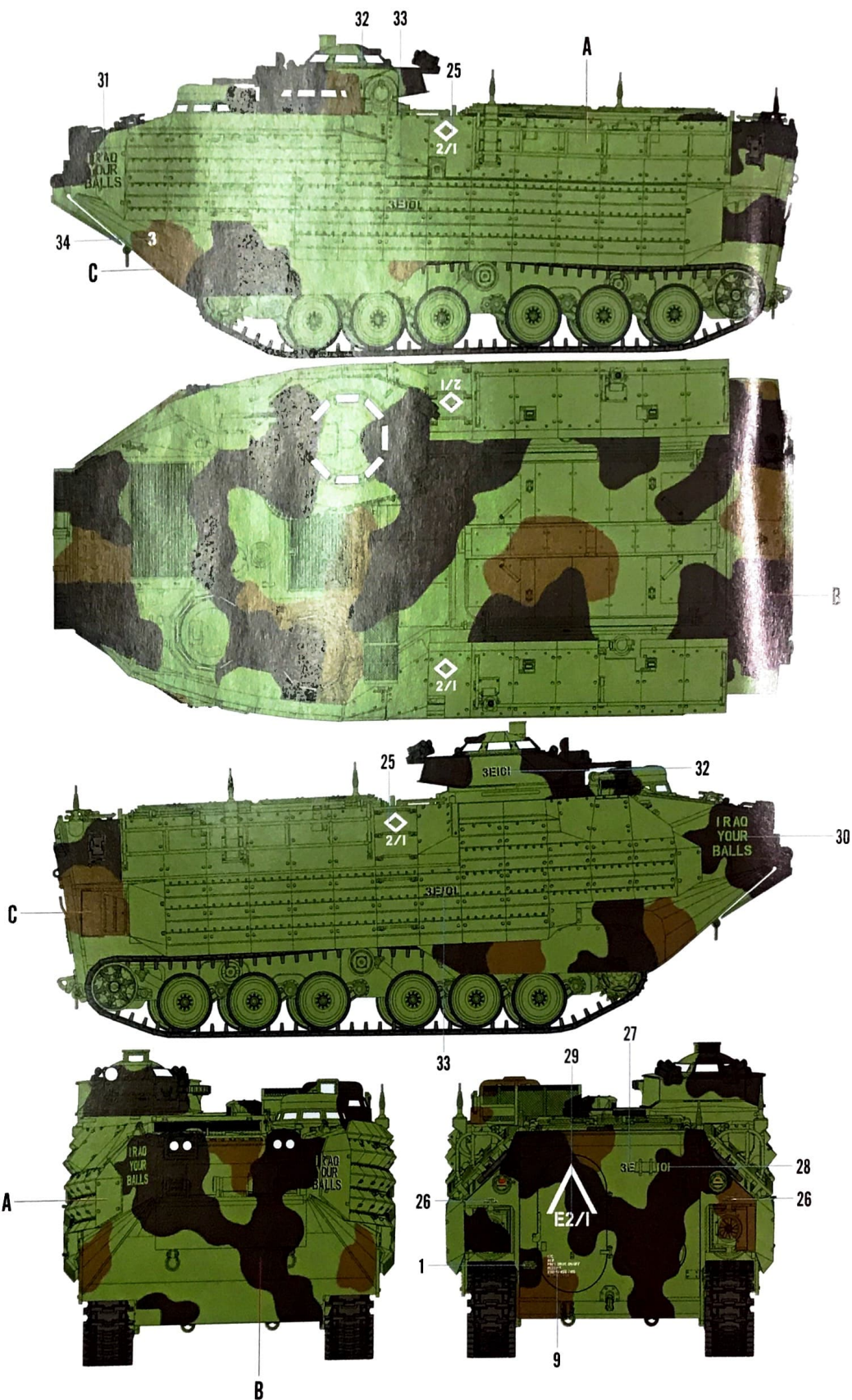


1:35 Scale AATP-741 RAM/RS w/CAAX Introduction 08.02.05

II



I



Color	Mr.Hobby	Vallejo	Model Master	Tamiya	Humbrol
A 绿色 Green	H 312 312	--	1716	--	120
B 消光黑 Flat Black	H 12 33	950	1749	XF1	33
C 木棕色 Wood Brown	H 37 43	983	1701	--	186