

German Leopard 2 A6EX

ドイツ主力戦車 レオパルト2A6EX 德国“豹”2 A6EX主战坦克

PLEASE READ BEFORE OPERATION!

- * Tools recommended as below: (Not included)
Adhesives; Paints; Side Cutters; Sharp Edged Pliers; Modeling Knife; Modeling File; Nippers; Drill; Scissors; Sand Paper; Soft Cloth; Cyanoacrylate Glue.
- * Make sure to read this instruction listed below before assembling.
- * The kit contains the small parts, they can be dangerous if swallowed by mistake, so keep them away from reach of children.
- * Cut the all parts off carefully and remove the waste parts into the garbage can.
- * More caution and care should be needed for cutting and handling the photo etched parts.
- * Make attention that some parts should be attached the decal when assembled.
- * During assembling, please tear up and throw away the plastic bags, or may cause the dangerous if wearing over head by children's mistake.
- * When using the adhesives and paints, please do not use them in the closed room or near the fire, also must be very careful to protect your eyes, face and clothes.
- * Adult supervised when assembled by children under 14 years old.

装配前请仔细阅读:

- * 推荐使用的模型工具(请自备):
专用模型胶水, 专用模型油漆, 水口剪刀, 长咀钳, 刀片, 锉刀, 镊子钳, 钻, 剪刀, 软布, 砂纸, 瞬间快干胶等。
- * 用水口剪刀或刀片小心切下所有塑胶零件和蚀刻片零件, 不要遗失小零件。
- * 切取蚀刻片时应特别注意防止利边划伤手指。
- * 用模型锉刀小心锉平所有零件表面的注射浇口。
- * 用适量的强力快干胶水粘合蚀刻片零件和金属轴, 切忌过量, 否则可能导致可动零件被粘住。
- * 注意某些零件表面需在装配时同步贴水上贴纸。
- * 制作时应远离幼儿并将包装袋及时收妥, 谨防小孩玩耍而引起意外。



cyanoacrylate glue
强力胶



weight
配置



make hole
钻孔



cut / remove
切除



option
选择



no cement
不涂胶水



decal
贴纸



bend
弯曲



repair
填补

The method to apply the decals

1. Cut off the decal from the decal paper and put it into the warm water 40°C for 10 seconds.
2. Take the decal from the water and put it on a piece of clean cloth.
3. Remove the decal slowly from the paper to the targeted location by a wet finger.
4. Use a piece of dry and soft cloth to press it gently on the decal until it getting dry and no bubble existing.

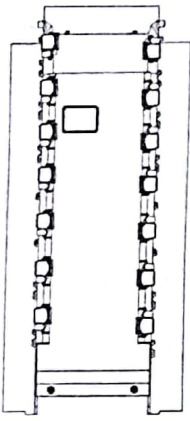
水贴纸的使用方法:

- 一. 把相关的印花从水贴上剪下, 放入40°C左右的温水中浸10秒。
- 二. 然后将印花放在干净的布上。
- 三. 拿上印花纸板, 手指蘸水将印花移到适当的位置。
- 四. 用软干布轻压印花直至水干, 气泡消失。

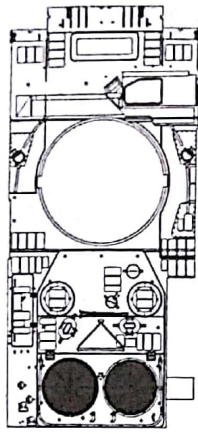
部品图

Parts

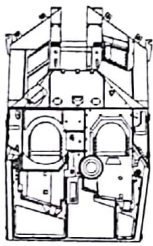
车底
Lower hull



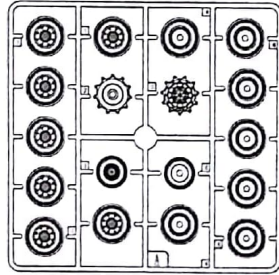
车面
Upper hull



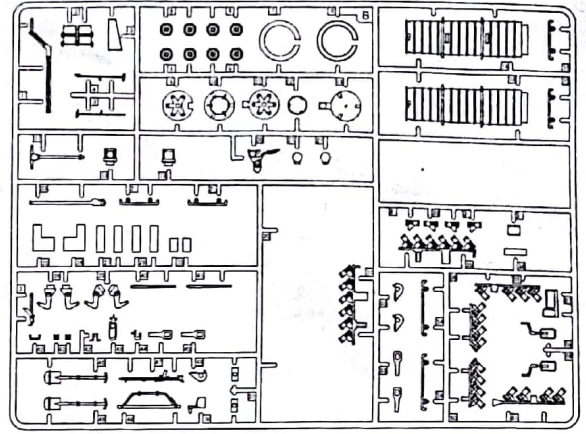
炮塔
Turret



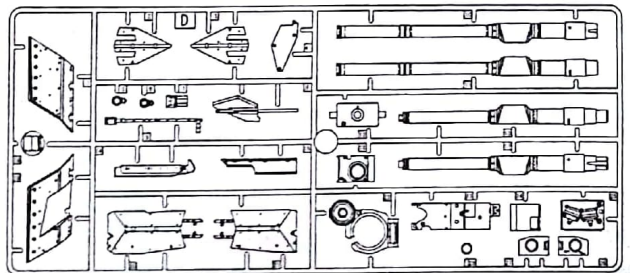
AX2



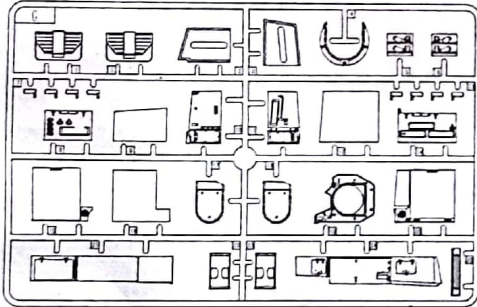
B



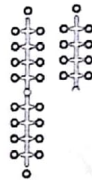
D



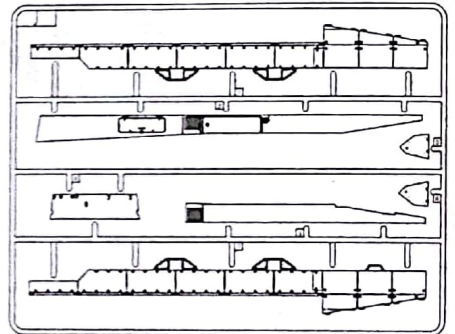
G



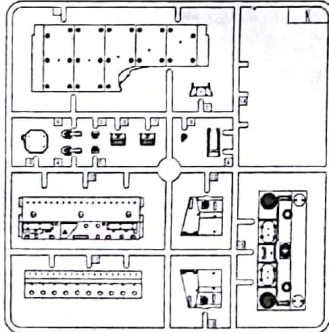
聚乙烯套
Poly cap



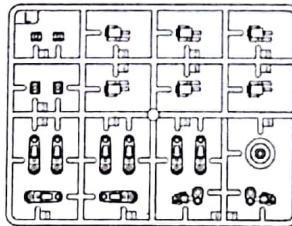
J



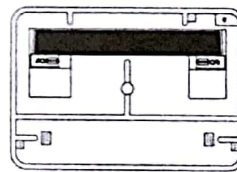
K



LX2



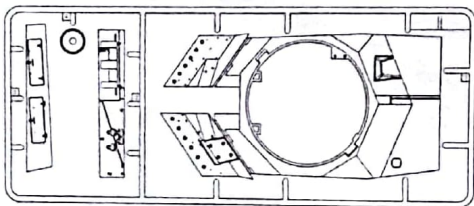
M



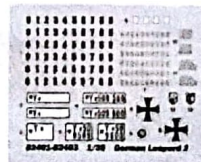
棉绳 \varnothing 0.8*300mm
Rope \varnothing 0.8*300mm



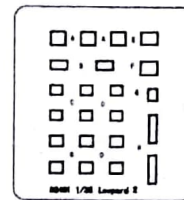
H



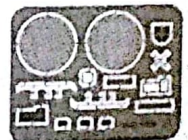
水贴纸
Decal



透明片
Transparent parts



蚀刻片A
PE A

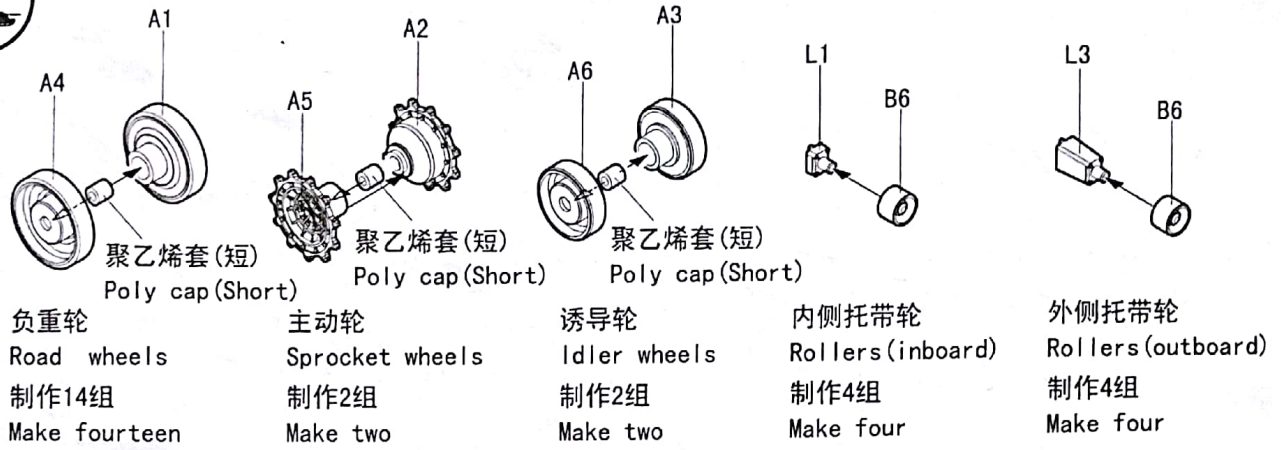


履带X2
TrackX2

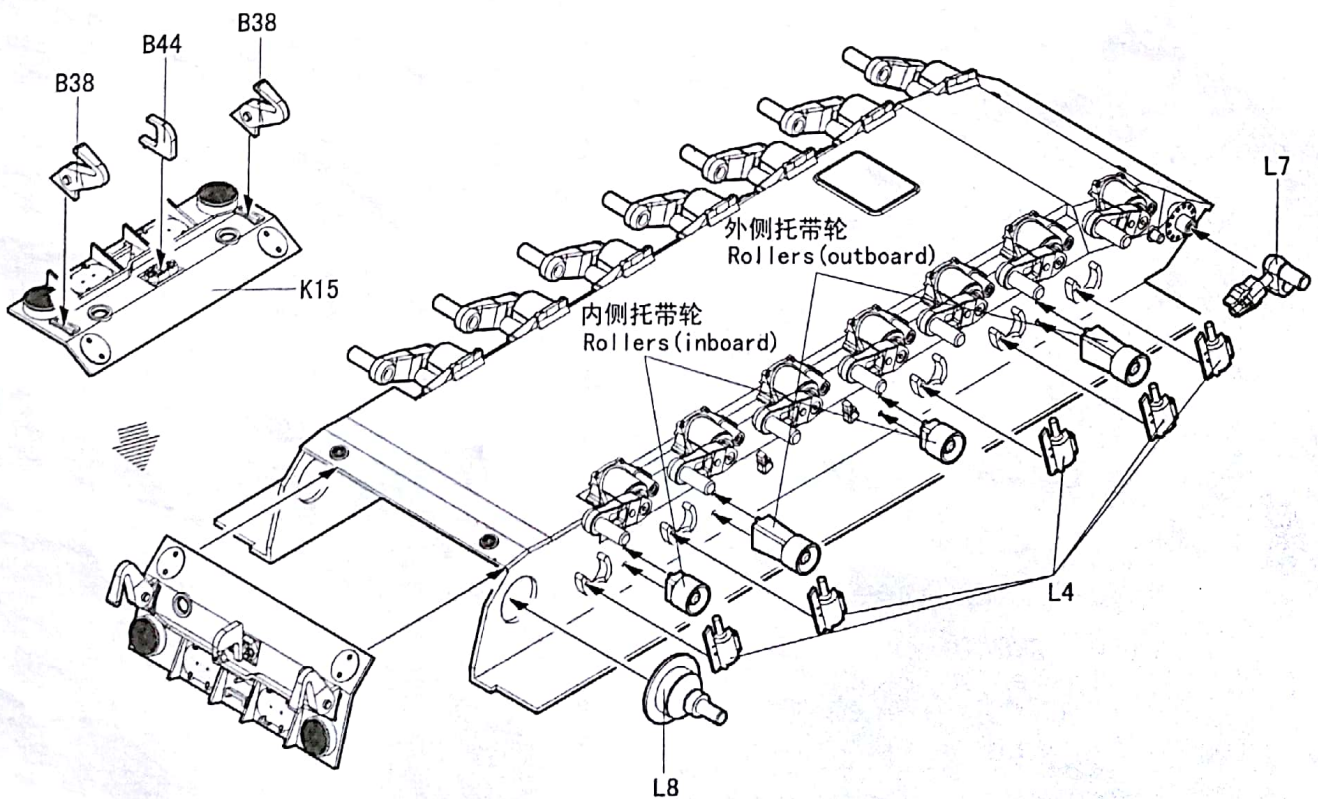
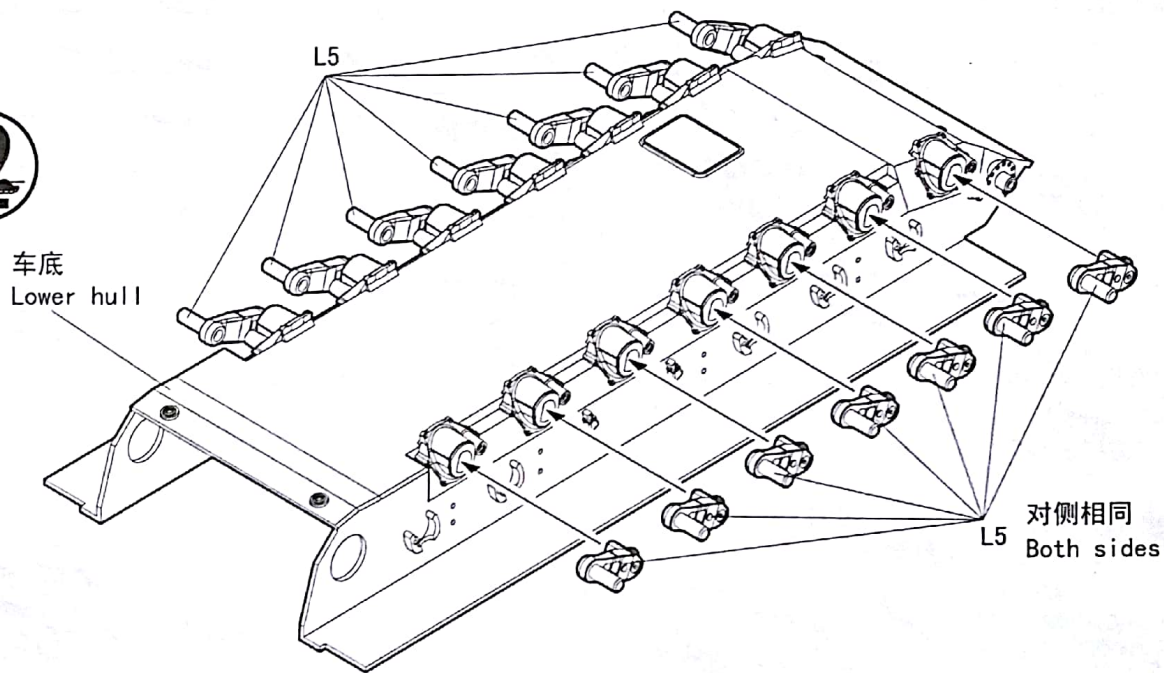


不用部品: B1. B2. B4. B5. B7. B8. B9. B10. B11. B12. B13. B14. B16. B17. B18. B19. B21. B22. B25. B26. B30
Unused parts: . B31. B32. B33. B34. B35. B36. B40. B41. B42. B43. B48. B49. B51. B52. B54. B55. B56. B60. B61
. D6. D13. D17. D22. H2. H3. H4. J4. K2. K8. L2*1. L4*1. L5*2. L6*1. L7*1

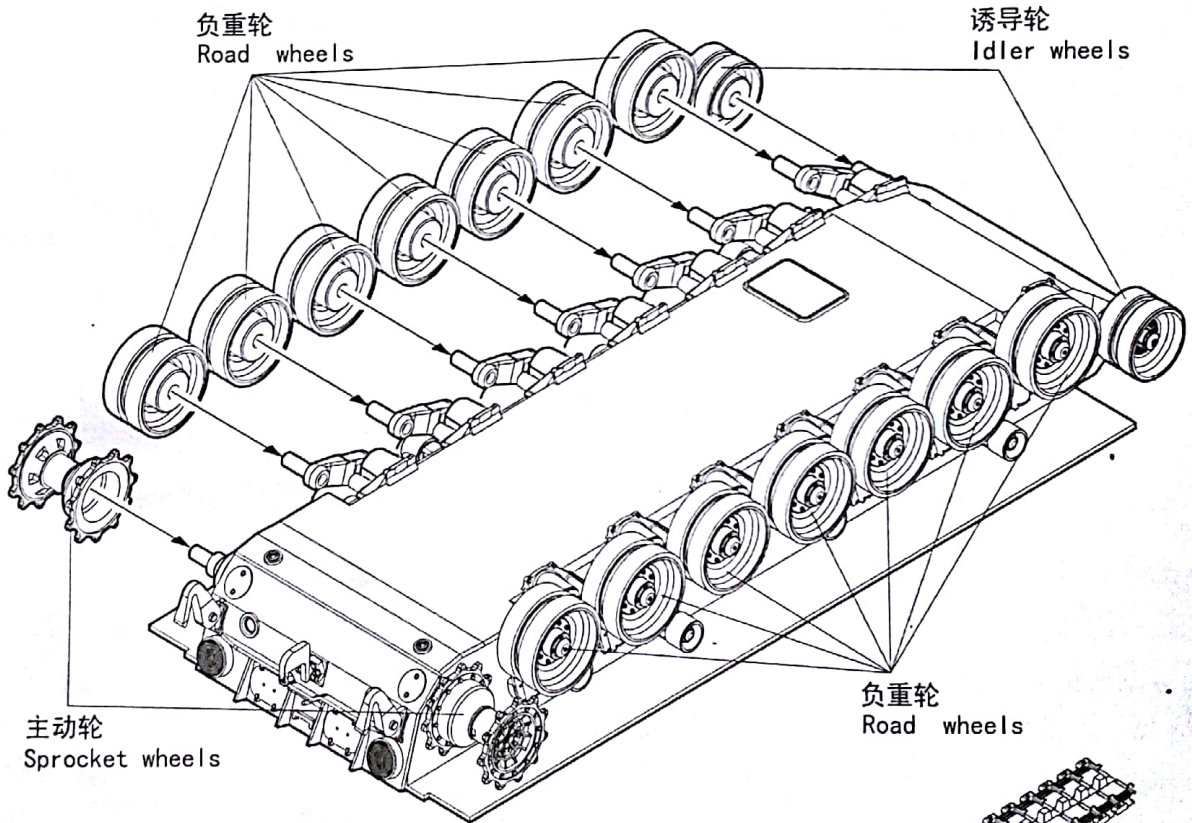
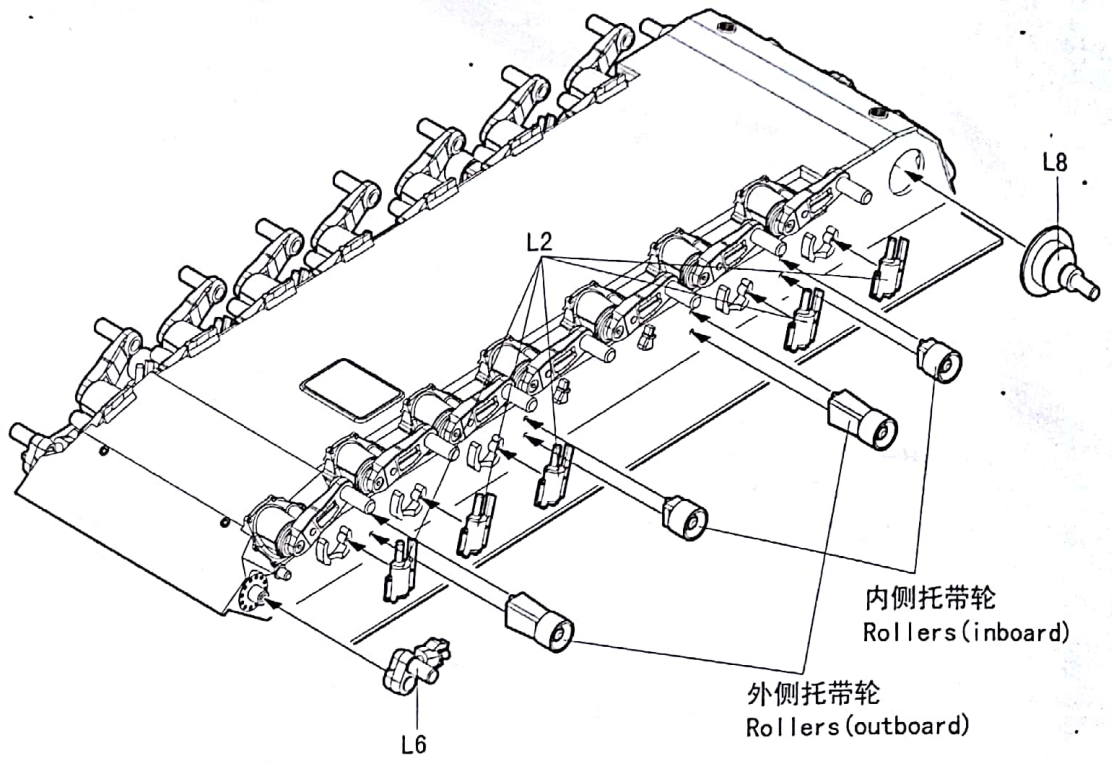
1
STEP



2
STEP



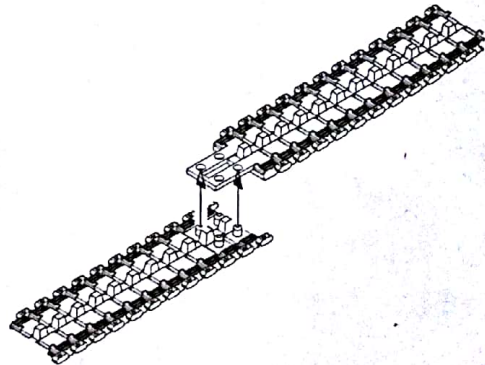
3
STEP

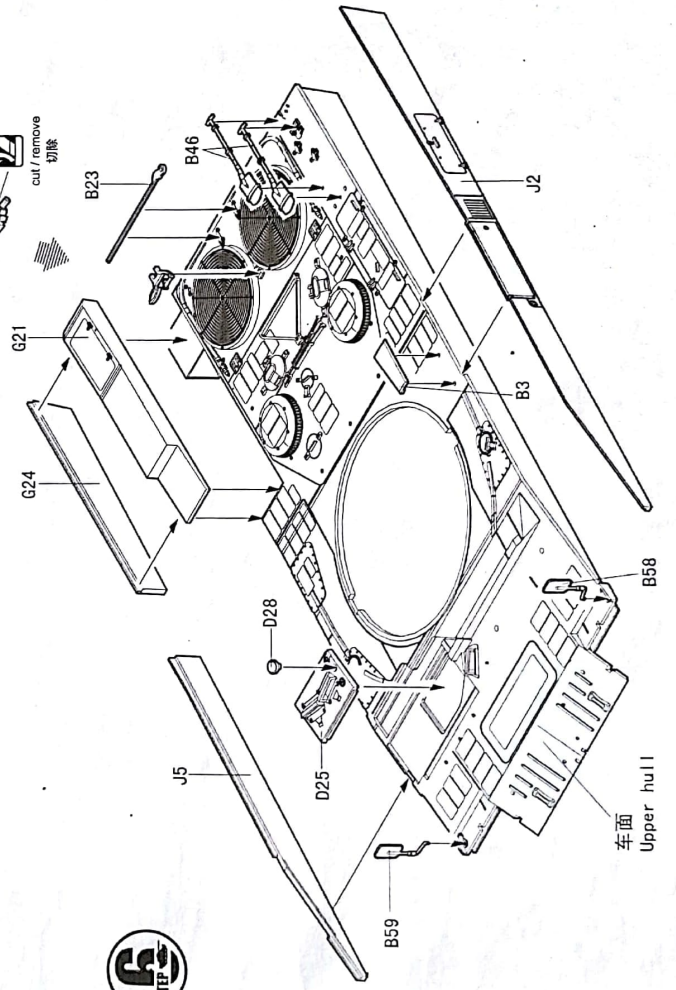
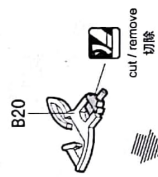
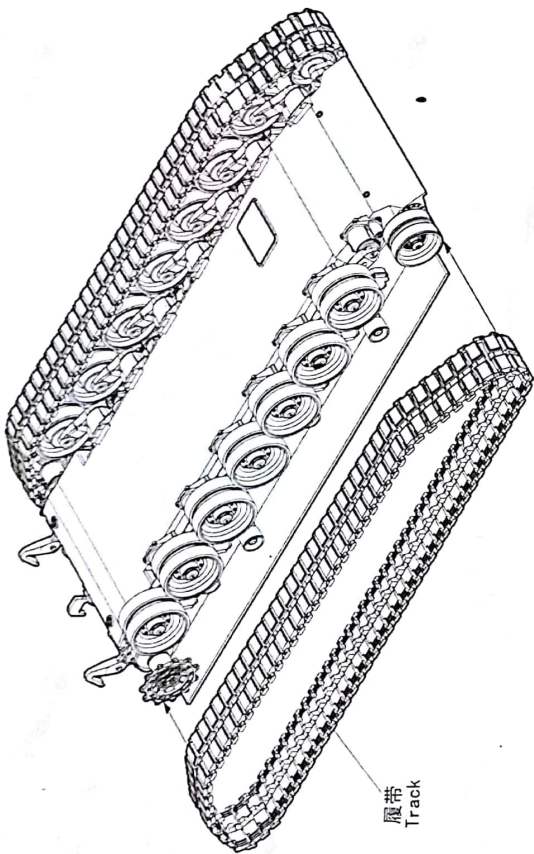


1
STEP

履带联接
Track construction

- *履带可用塑料胶水粘合。
- *履带可用模型油漆喷涂。
- *若履带断裂，用细丝线固定。
- *The tracks in this kit can be glued using plastic cement.
- *The tracks can be painted using plastic paints.
- *If track is broken strengthen with staples or thread.

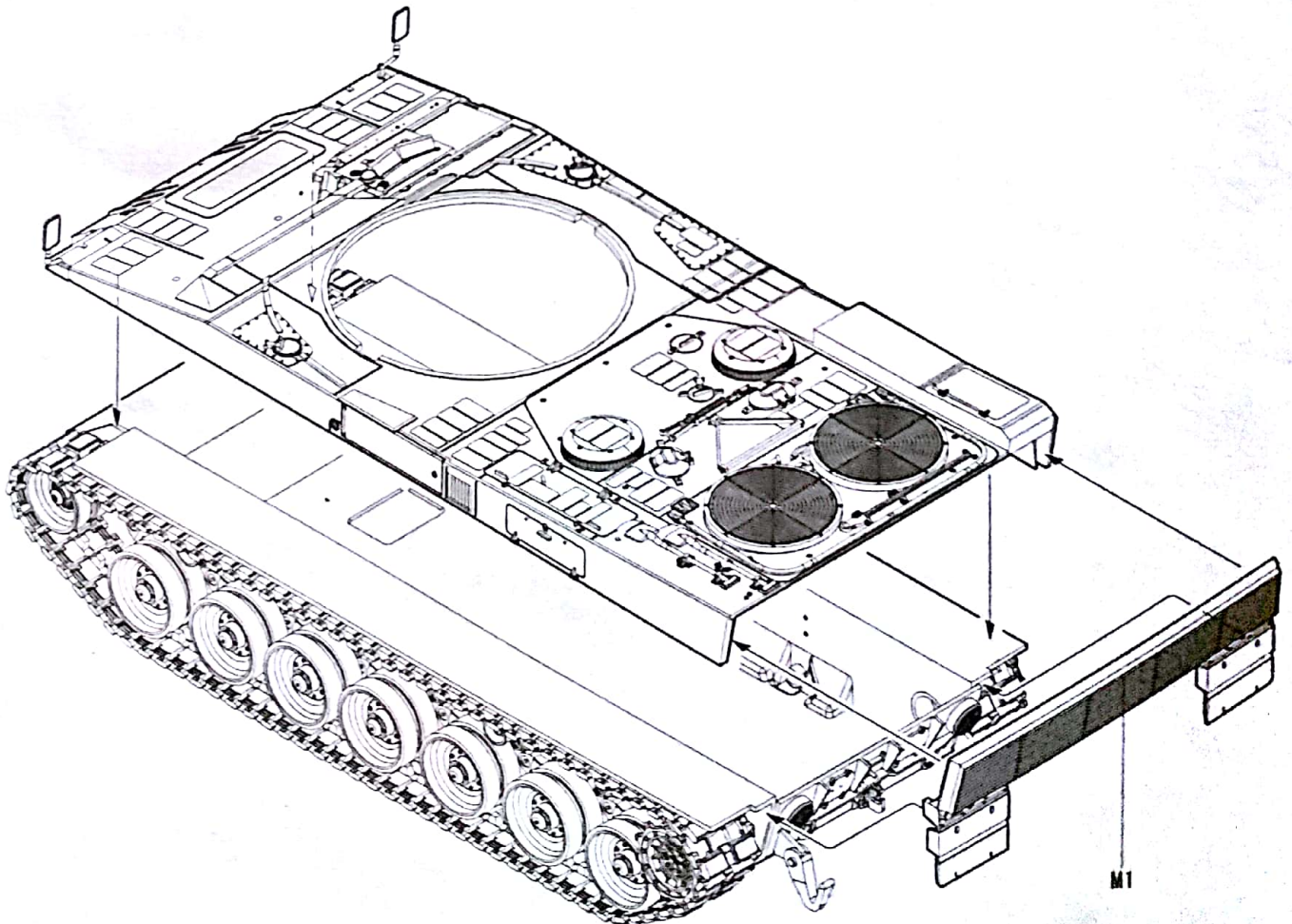
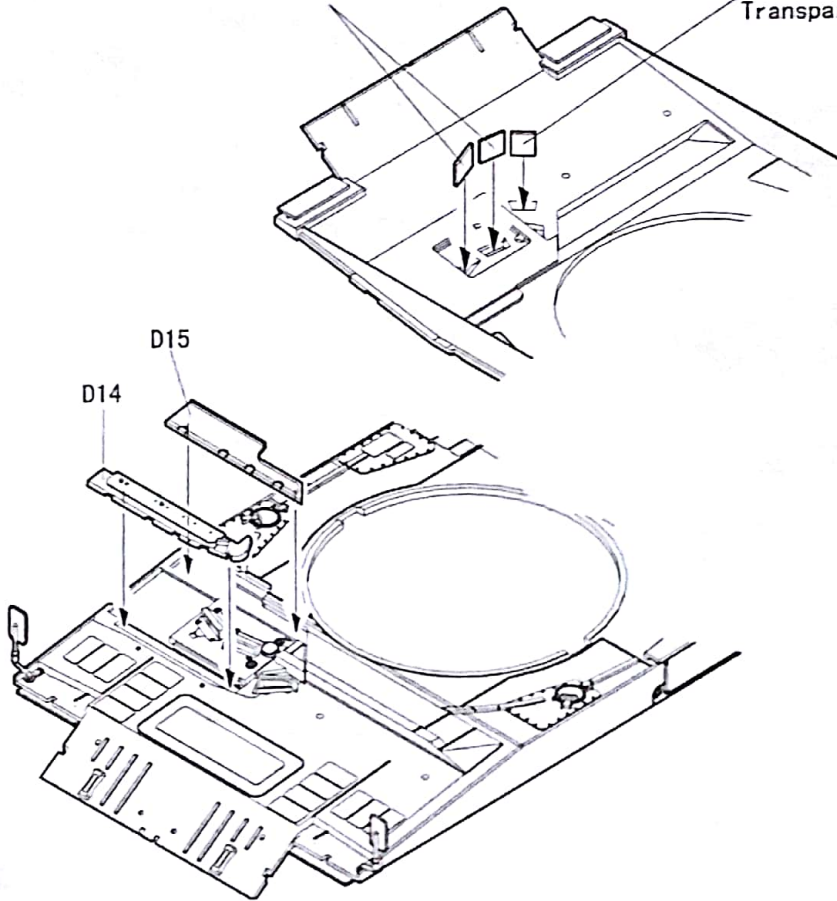




7
STEP

透明片 (B)
Transparent part (B)

透明片 (A)
Transparent part (A)

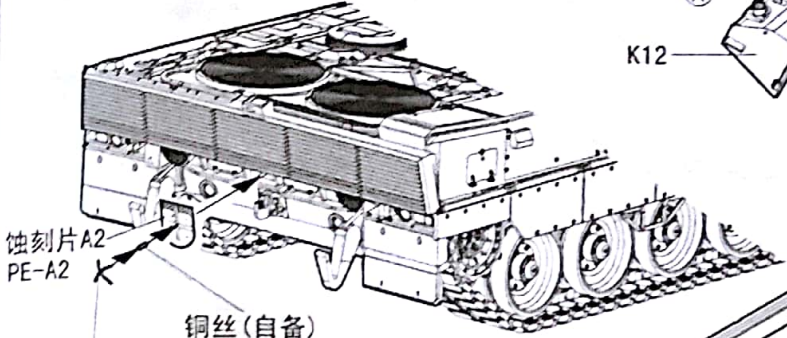
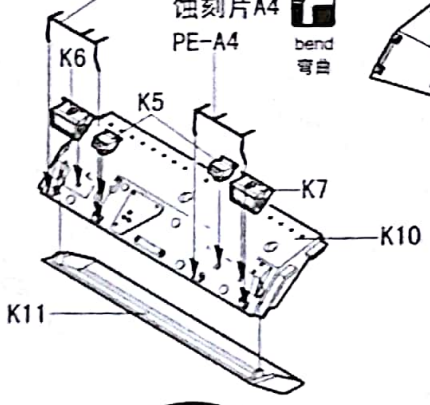
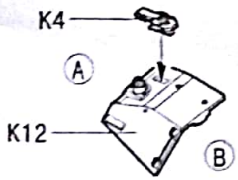
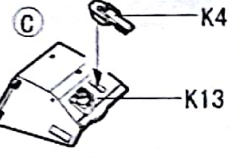




*首先装K5
First K5

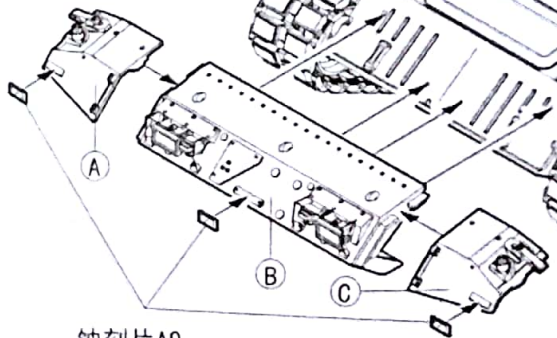
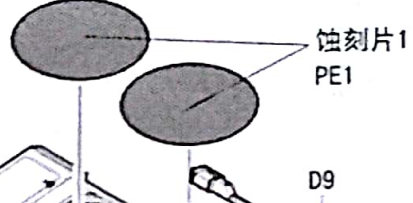
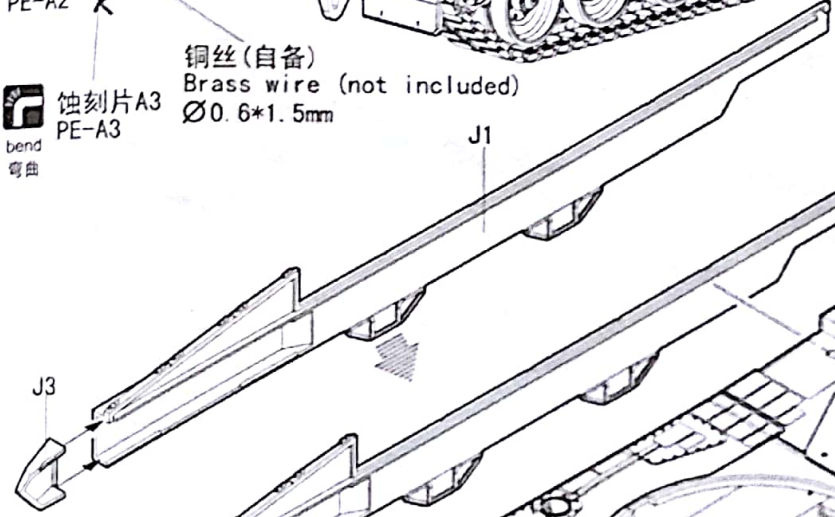
蚀刻片A10
PE-A10

蚀刻片A4
PE-A4



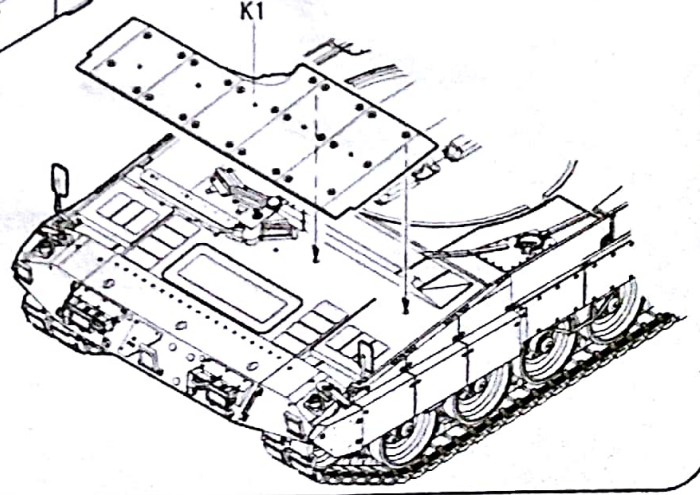
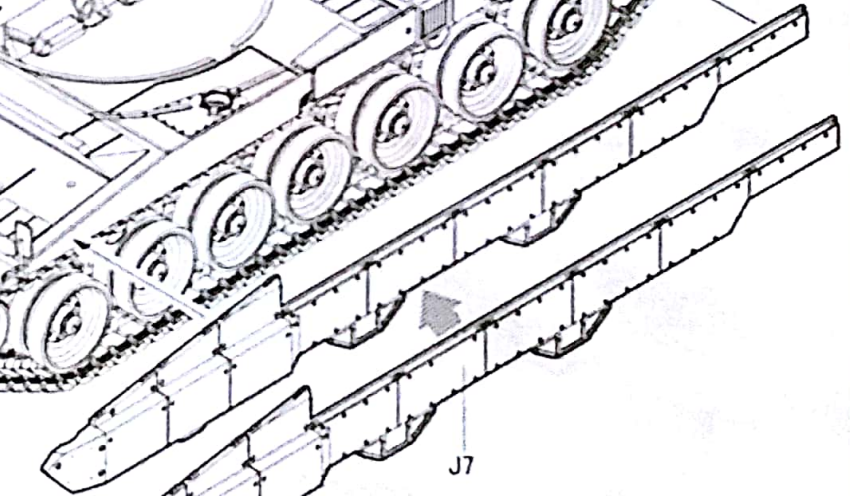
蚀刻片A3
PE-A3

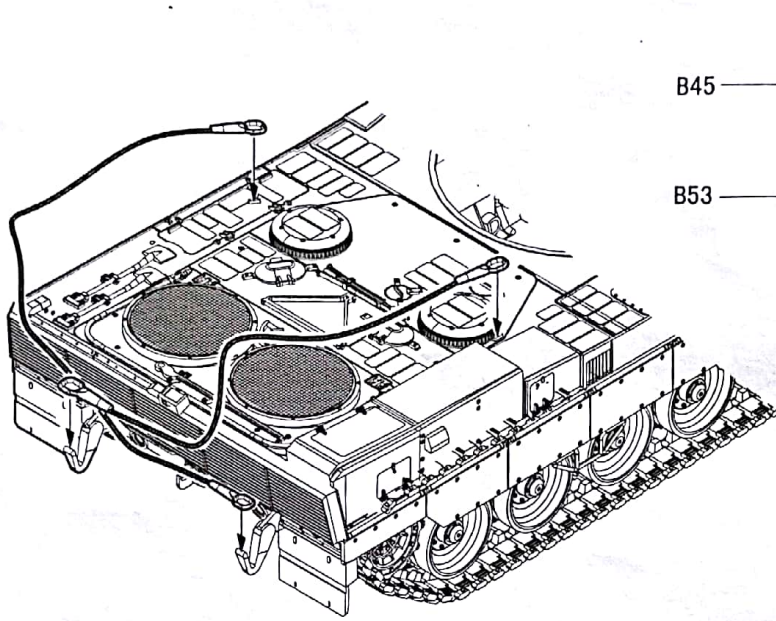
铜丝(自备)
Brass wire (not included)
Ø0.6*1.5mm



蚀刻片A9
PE-A9

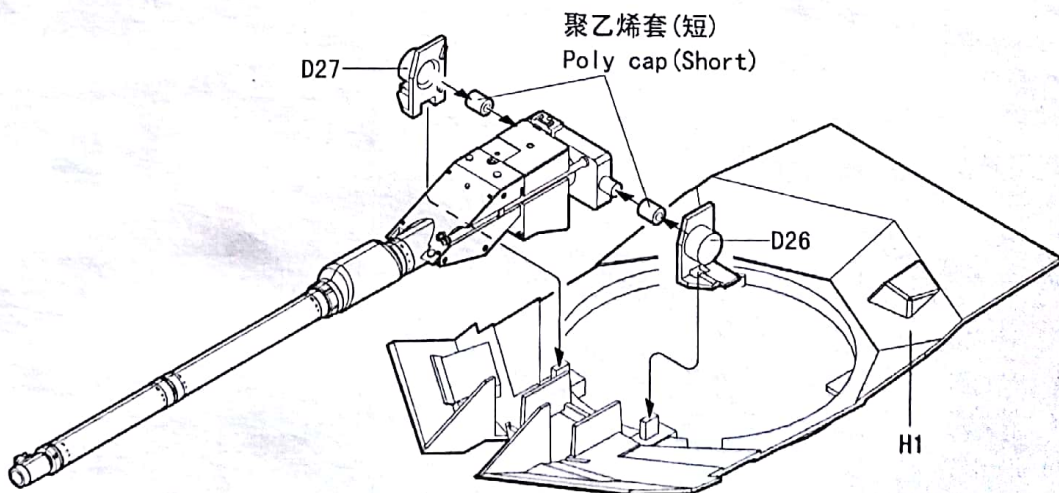
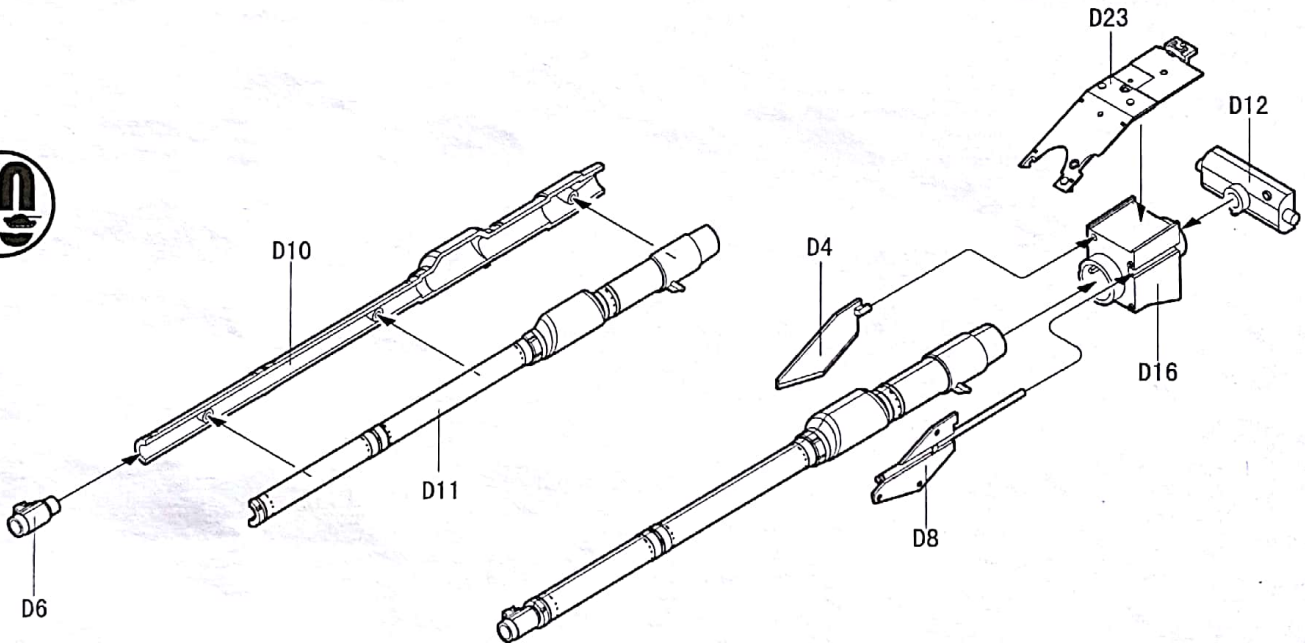
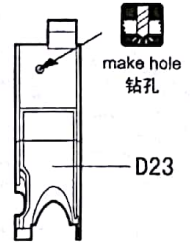
蚀刻片A9装配示意图
Attaching PE-A9 shown

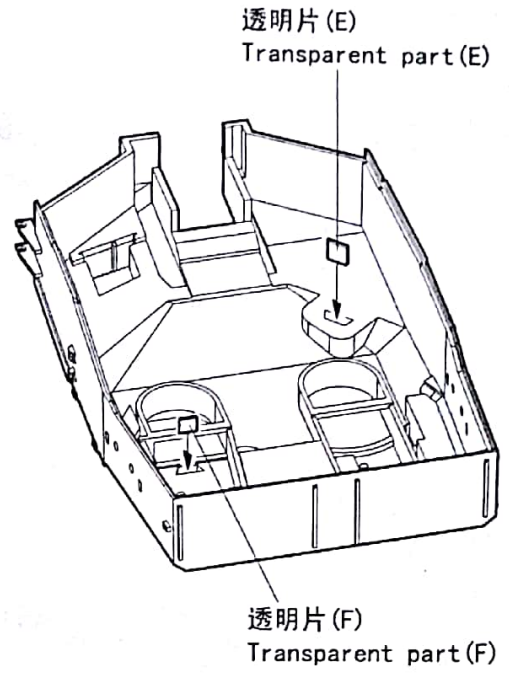
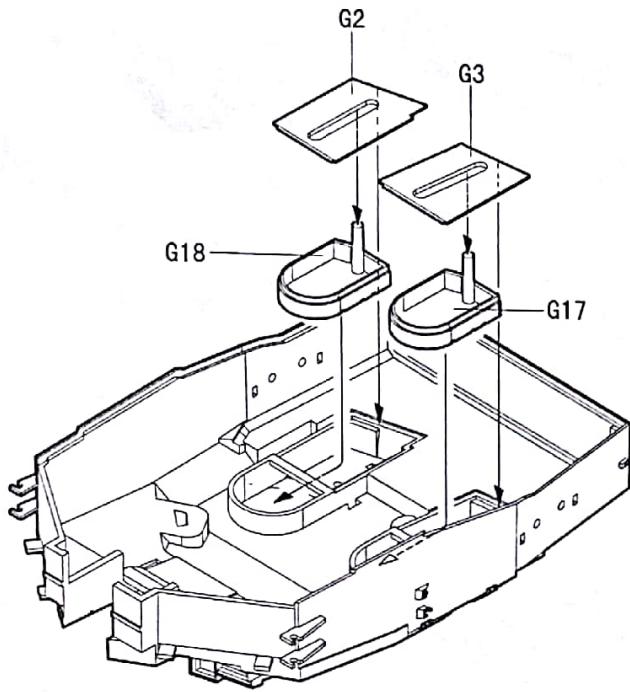




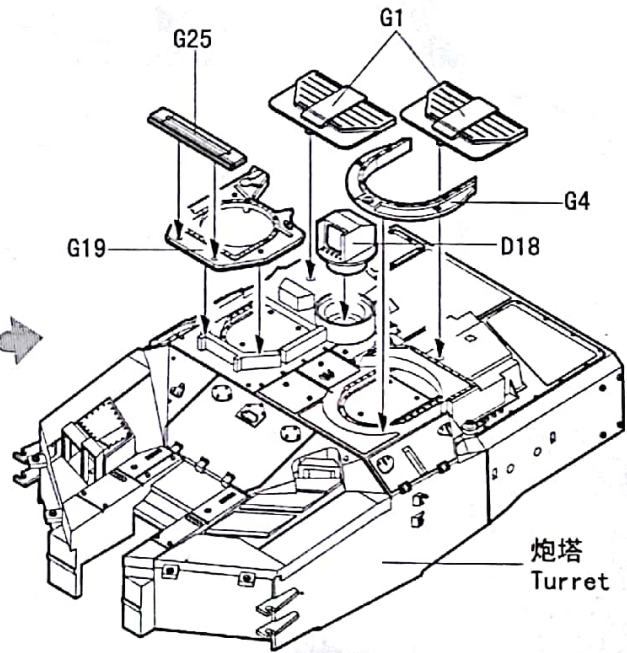
B45 — 缆绳
Cable rope
Ø0.8*130mm

B53 — 制作2组
Make two

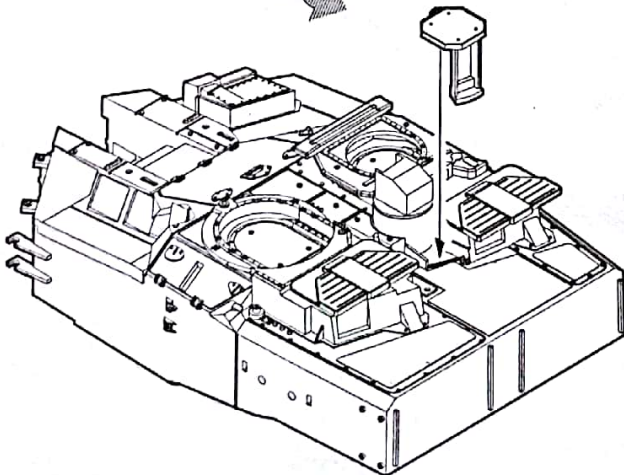
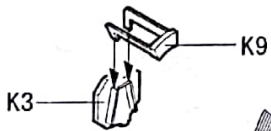




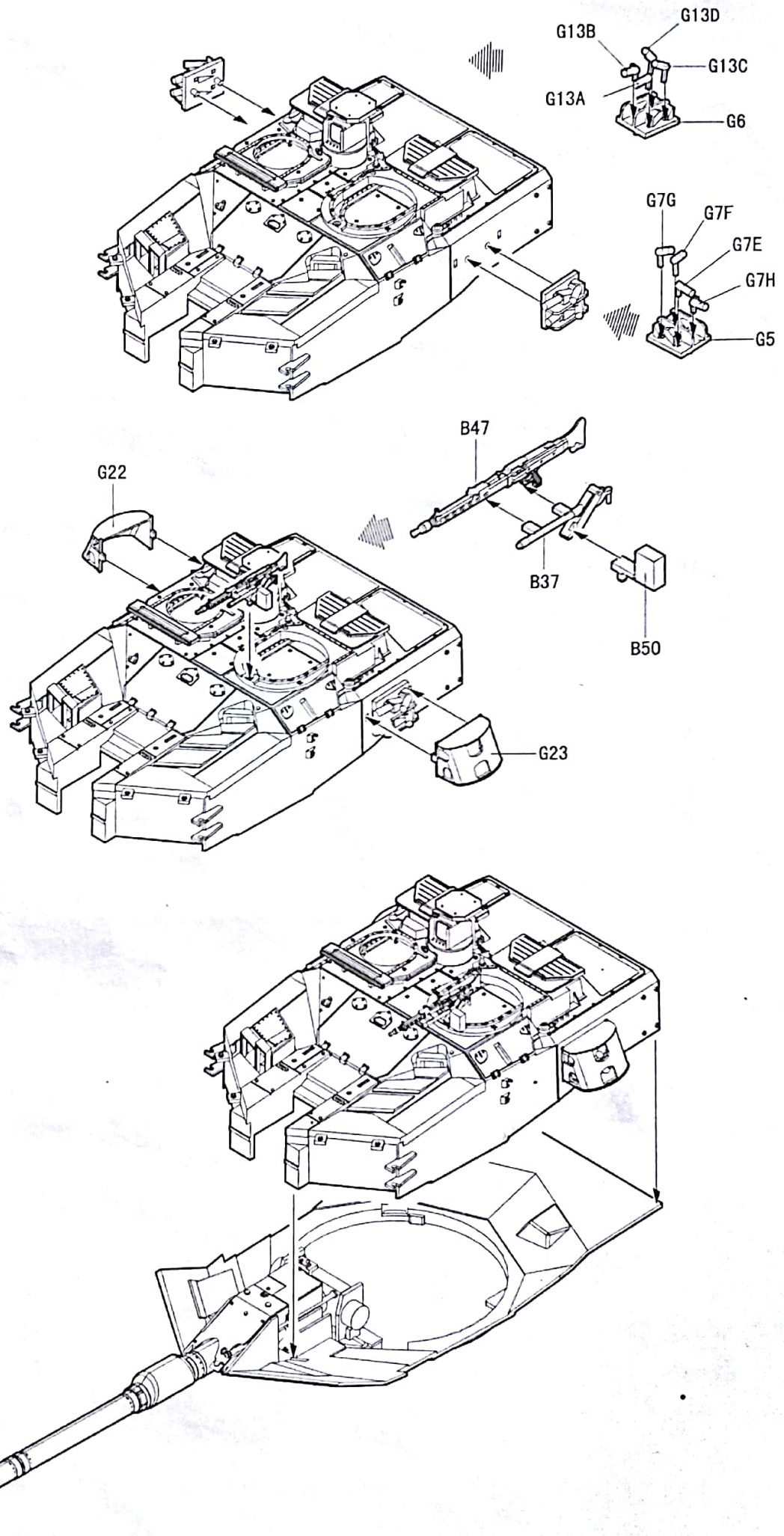
蚀刻片A5
PE-A5

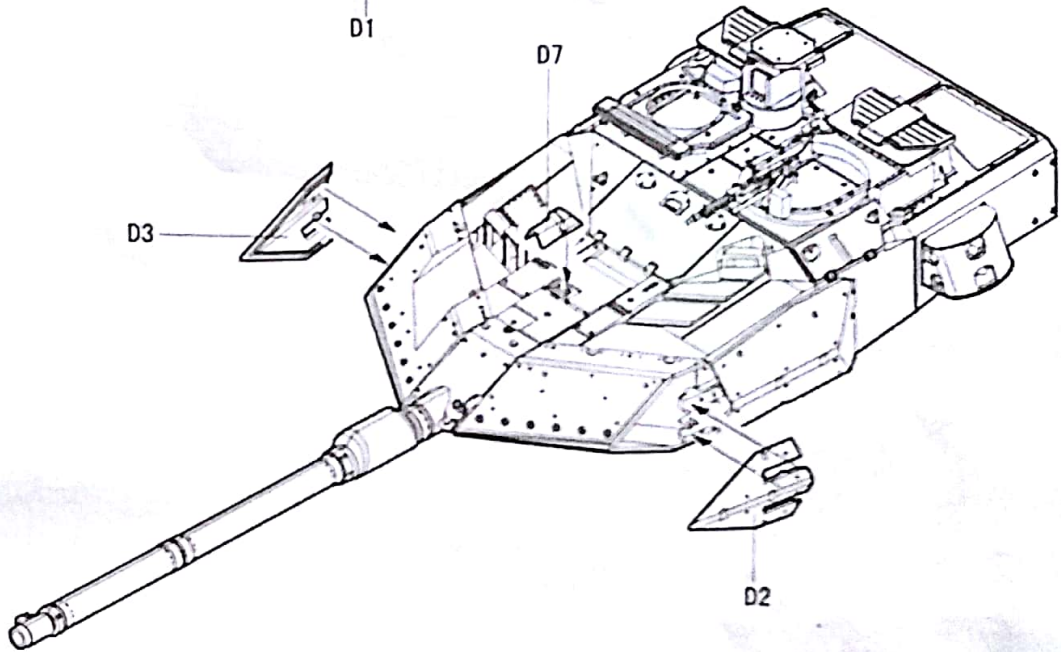
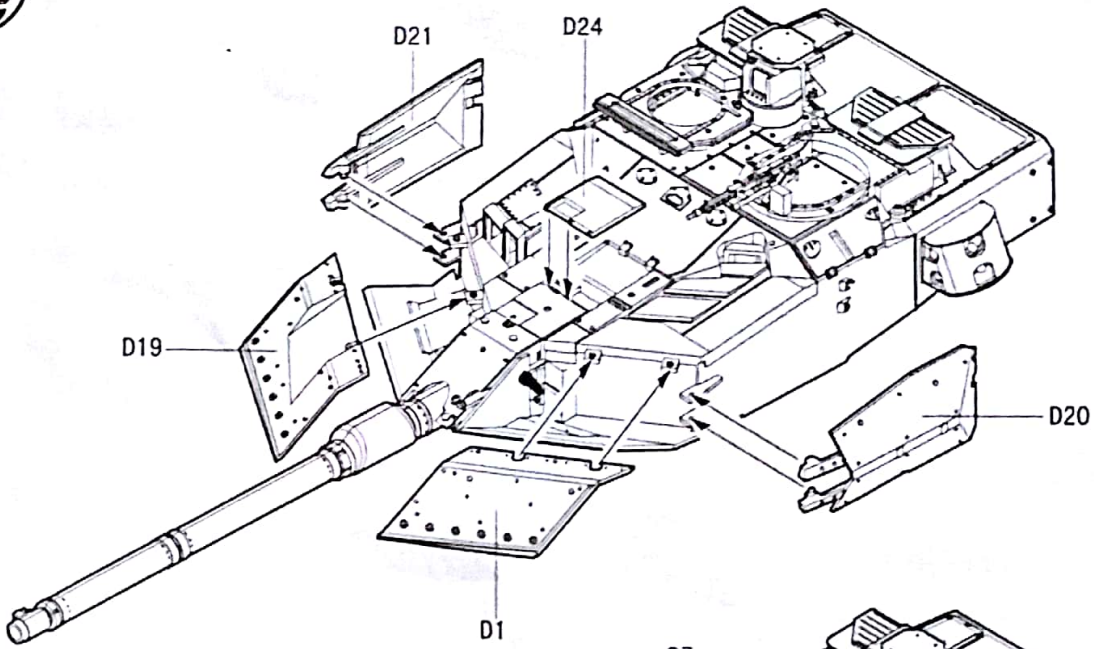


炮塔
Turret

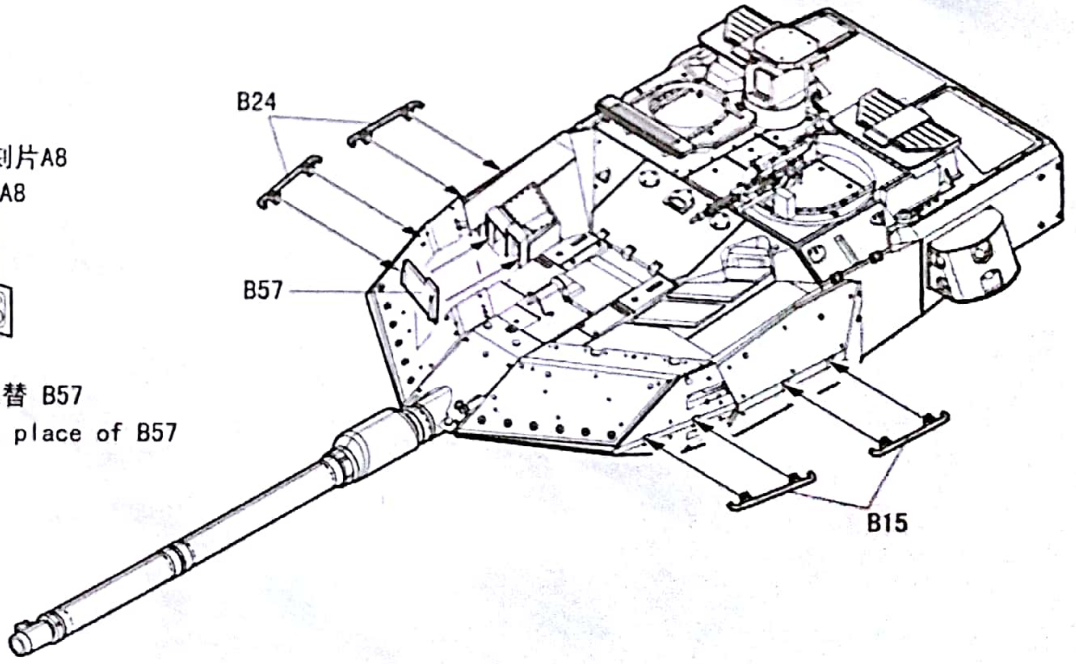


12
STEP

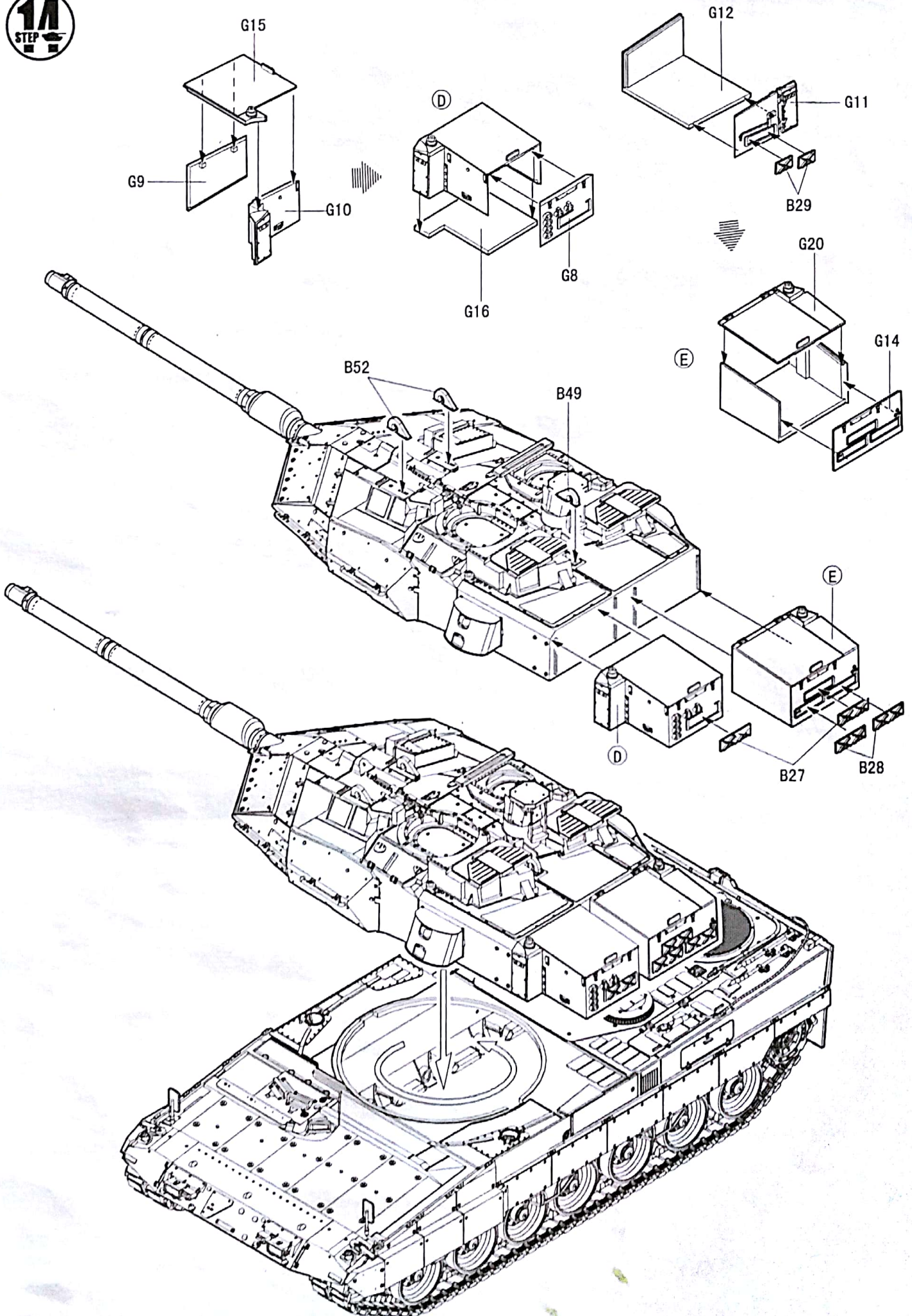


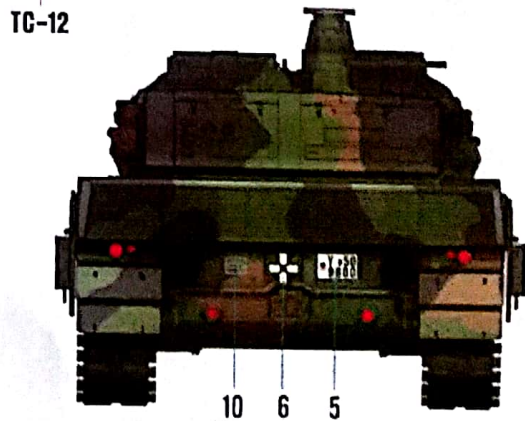
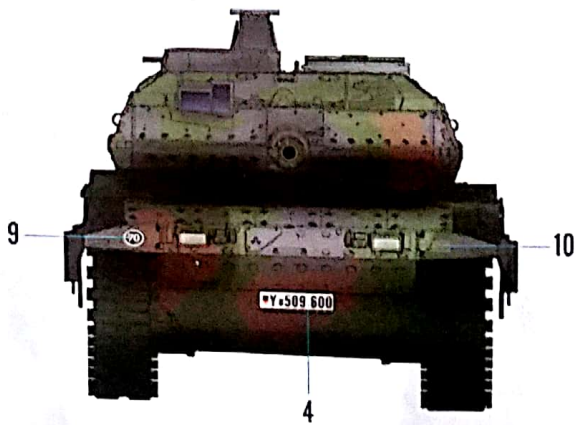
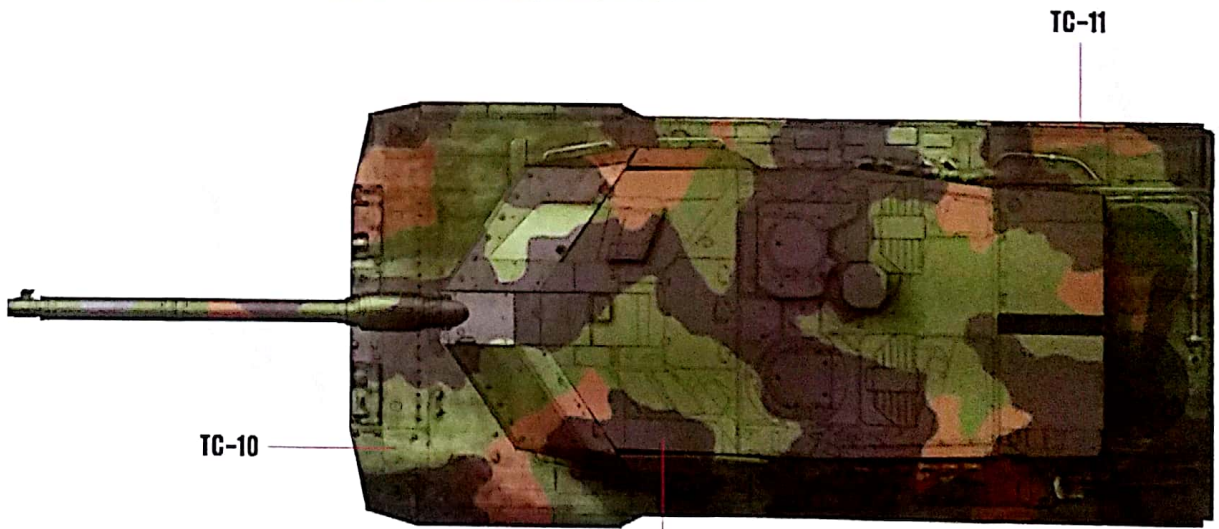
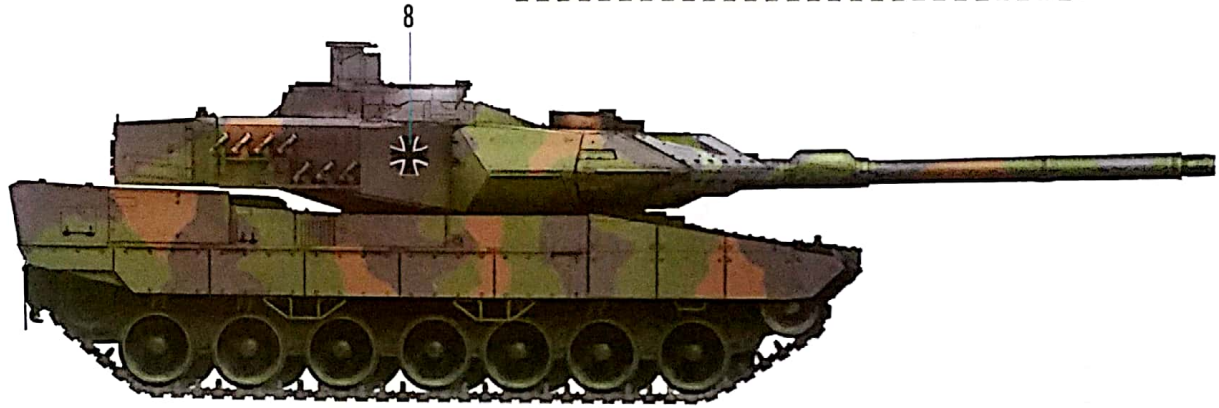
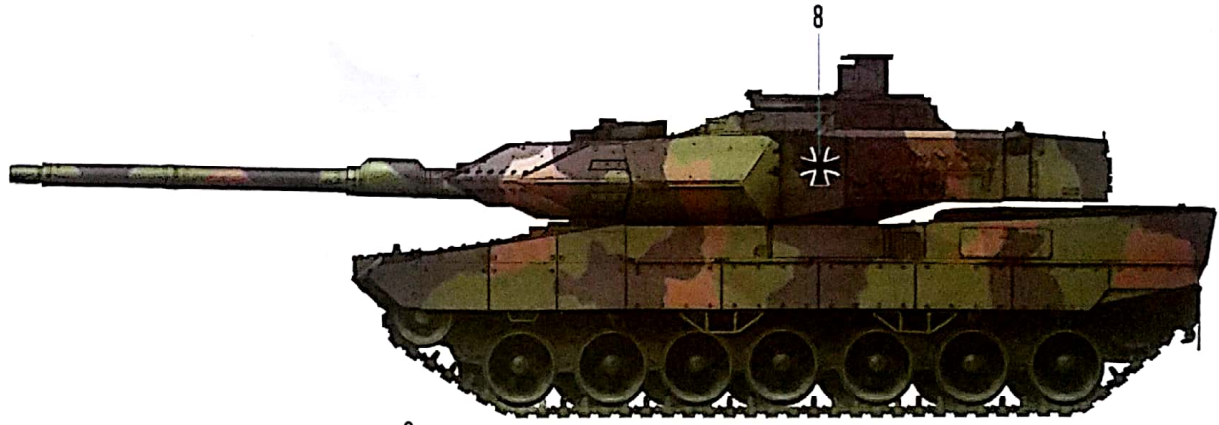


蚀刻片A8 PE-A8
 蚀刻片A7 PE-A7
 PE-A7. PE-A8 代替 B57
 PE-A7. PE-A8 In place of B57



11
STEP





NO.:82403

TC-10

NATO Green

TC-11

NATO Brown

TC-12

NATO Black

使用郡仕公司涂料
GUNZE SANGYO Mr. Color used

1 GUNZE SANGYO AQUEOUS HOBBY COLOUR

8 GUNZE SANGYO MR COLOUR

※ Some paints may not be available in your country. Please check your local hobby shop for substitutes.