



E-2C Hawkeye 2000 VAW-115 Liberty Bells "Sayonara Atsugi"

Carrier Airborne Early Warning Squadron 115 (VAW-115), also known as the "Liberty Bells", is a United States Navy airborne early warning and control squadron that flies the E-2C Hawkeye. The squadron was originally established on 20 April 1967, flying the E-2A Hawkeye. It was assigned to Attack Carrier Wing Two and deployed on board USS Ranger.

In February 2010 the squadron began reequipping with the E-2C Hawkeye 2000. The improved E-2C Hawkeye 2000 carries advanced capabilities over its predecessor in the areas of detection, processing, identification, communication and navigation.

VAW-115 has achieved 24 years and 50,000 hours of Class-A mishap-free flight hours receiving eight Battle Efficiency "E" awards, seven AEW Excellence awards, and six Safety "S" awards.

On 2 February 2017, VAW-125 arrived at Marine Corps Air Station Iwakuni, Japan to replace VAW-115 in Carrier Air Wing Five aboard the aircraft carrier USS Ronald Reagan. In Summer 2017 the squadron moved to Naval Air Station Point Mugu, where it will eventually transition to the E-2D Advanced Hawkeye.

CAUTION

- *Read carefully and fully understand the instructions before commencing assembly.
- *Keep out of reach of children. Children must not be allowed to put any parts in their mouths, or pull plastic bag over their heads.
- *When using adhesives and paints, please make sure not to use them in closed room or near the fire.
- *When assembling this kit, tools including knives are used. Extra care should be taken to avoid injury.

WARNING: CONTAIN SMALL PARTS NOT FOR CHILDREN UNDER 14 YEARS OF AGE.

Drill	Remove	2 Set	Bend	Optional	Decal	Super Glue	Fill Hole	No Cement	Be Careful

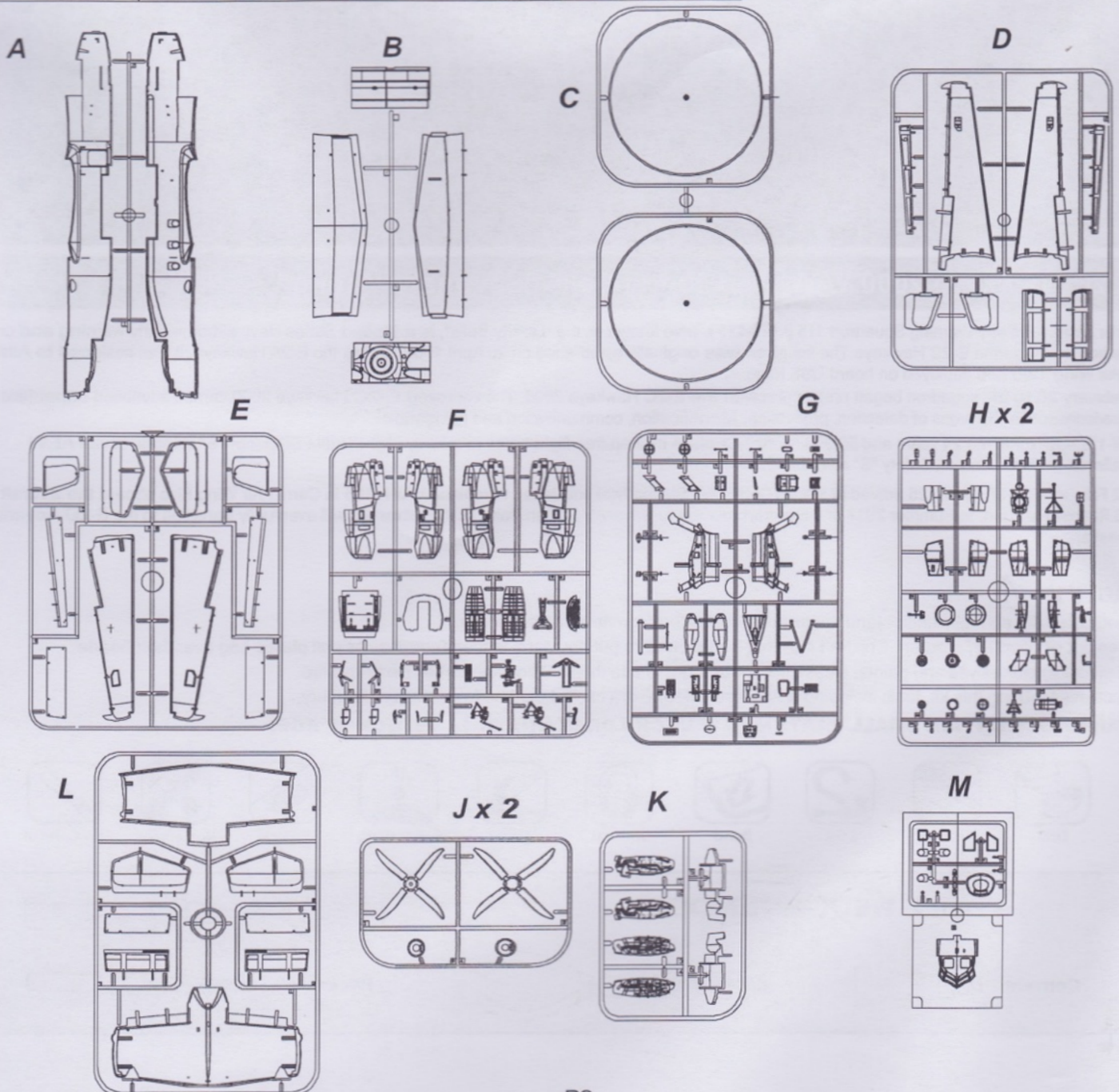
TOOLS RECOMMENDED

Cement	Side Cutter	Modeling Knife
		Tweezers

AFTERMARKET SERVICES CARD

When requesting replacement parts, please take or send this form to your local dealer so that the parts required can be correctly identified. Please note that specifications and availability are subject to change without notice. Or visit <http://www.kineticmodel.com> for latest information. For more information, please contact services@kineticmodel.com

Part Code	K48066	Qty	Item
00-101-001	Main body halves	1	A
00-101-002	Tail wing halves and lower body covers	1	B
00-101-003	Radar halves C1	1	C1
00-101-004	Radar halves C2	1	C2
00-101-005	Main wing parts	1	D
00-101-006	Main wing parts	1	E
00-101-007	Engine parts	1	F
00-101-008	Radar support and body parts G1	1	G
00-101-009	Wheels, antenna and other small parts	2	H
00-101-011	Eight bladed propeller	2	J
00-101-012	Folded wing mechanism	1	K
00-101-013	main wing middle parts	1	L
00-101-014	Clear parts	1	M
01-101-48066	1/48 E-2C 2000 VAW-115 48066	1	DECAL
03-101-48066	1/48 E-2C 2000 MANUAL	1	MANUAL

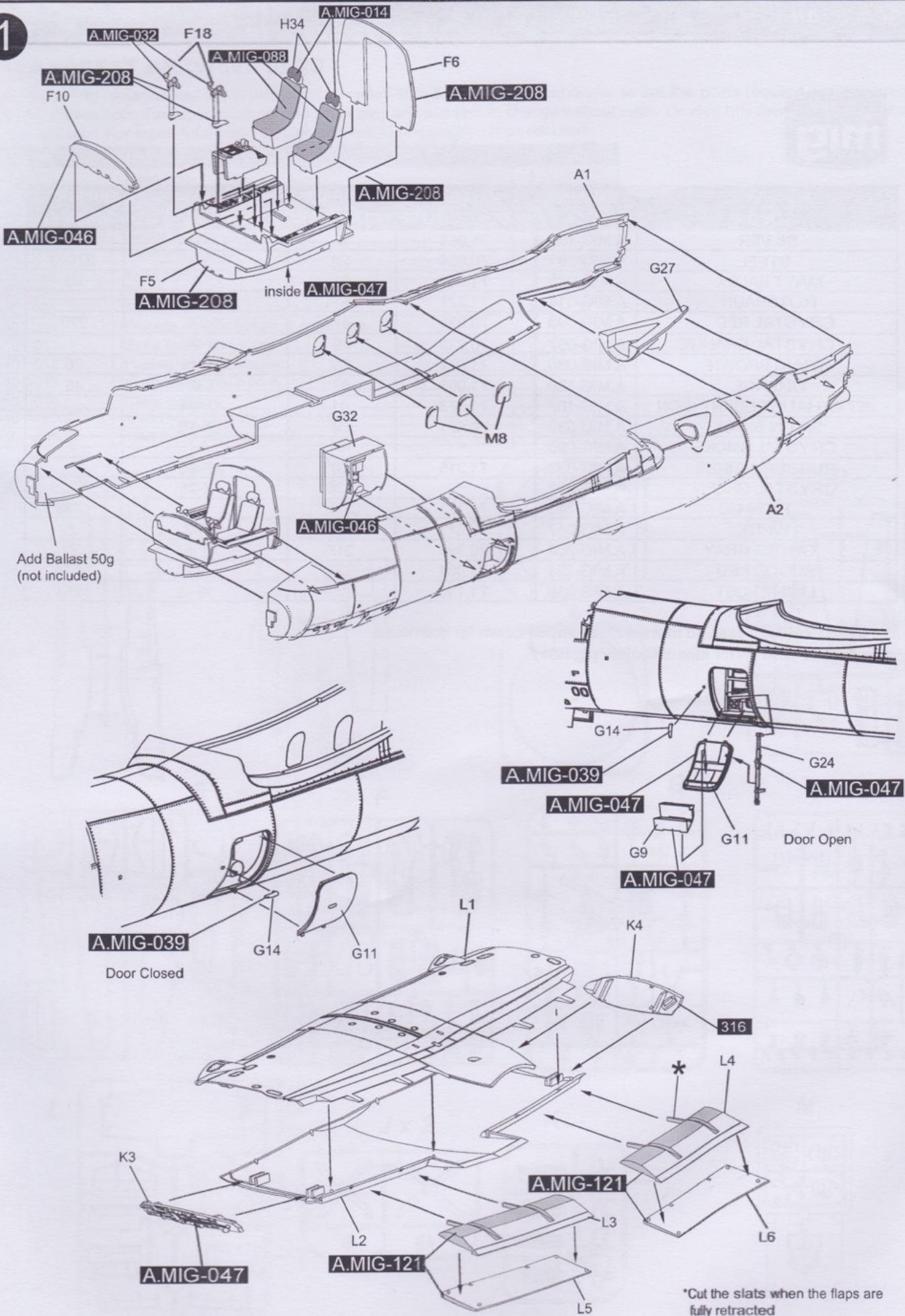




COLOR	AMMO MIG	VALLEJO MODEL COLOR	GSI CREOS MR. COLOR	TAMIYA ENAMEL/ACRYLIC	HUMBROL ENAMEL
SILVER	A.MIG-195	71.063	8	X-11	11
STEEL	A.MIG-191	70.864	28	-	27003
MATT BALCK	A.MIG-046	71.057	33	XF-1	33
ROTBRAUN	A.MIG-014	71.271	41	XF-64	-
CRYSTAL RED	A.MIG-093	70.934	47	X-27	220
CRYSTAL ORANGE	A.MIG-097	70.935	49	X-26	-
KHAKI BROWN	A.MIG-088	71.077	55	XF-49	26
ORANGE	A.MIG-129	71.083	59	X-6	46
JET EXHAUST BURNT IRON	A.MIG-187	71.073	61	XF-84	-
SATIN BLACK	A.MIG-032	70.861	92	X-18	85
CRYSTAL SMOKE	A.MIG-095	-	101	-	-
RUBBER & TIRES	A.MIG-033	71.315	137	XF-85	-
CRYSTAL GREEN	A.MIG-092	-	138	X-25	1325
FS 36440	A.MIG-241	71.121	315	-	129
WHITE	A.MIG-047	70.842	1/316	X-2	22
GHOST GRAY	A.MIG-208	70.991	317	XF-54	27
BLOOD RED	A.MIG-121	71.084	327	X-7	174
LIGHT RUST	A.MIG-039	71.130	329	XF-3	154

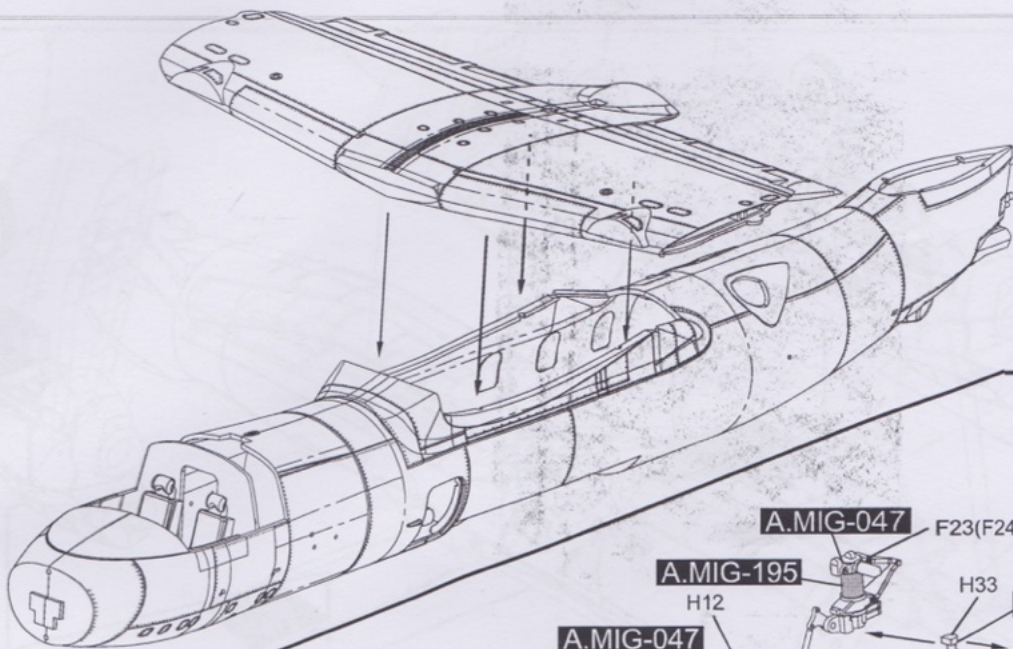
For Color Profile, please go to www.kineticmodel.com for download
 (type the kit# and go for manual/painting guide)

1

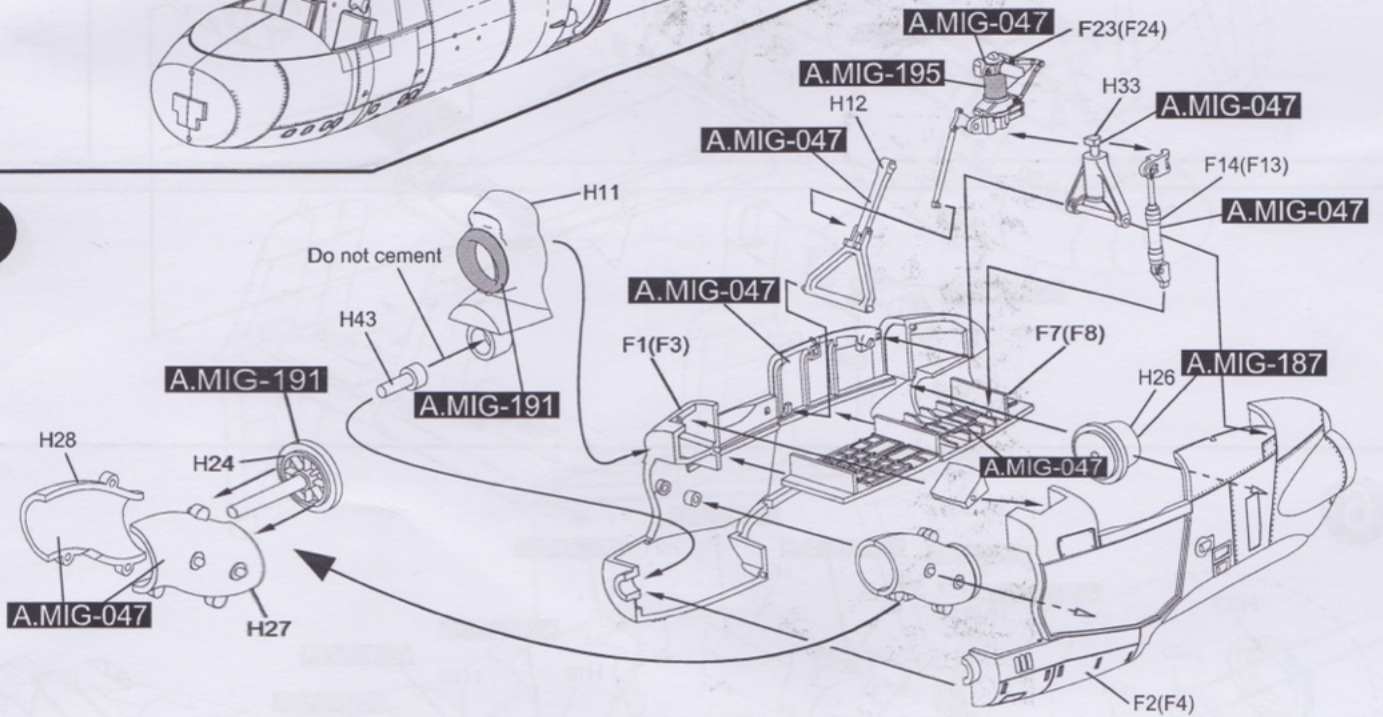


*Cut the slats when the flaps are fully retracted

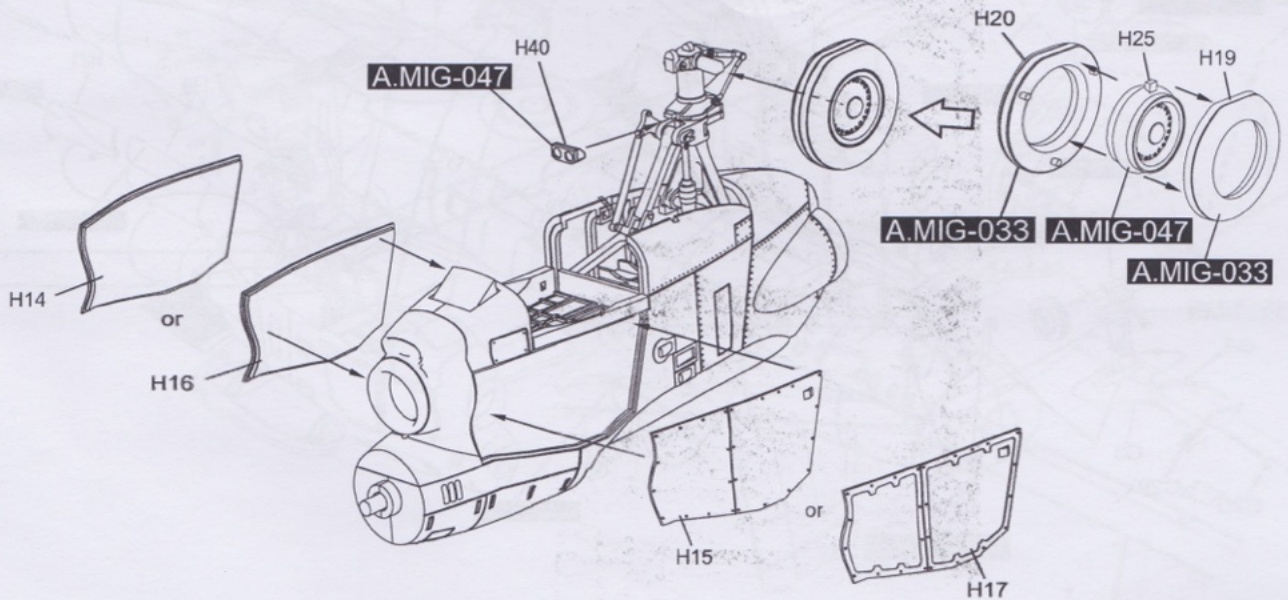
2



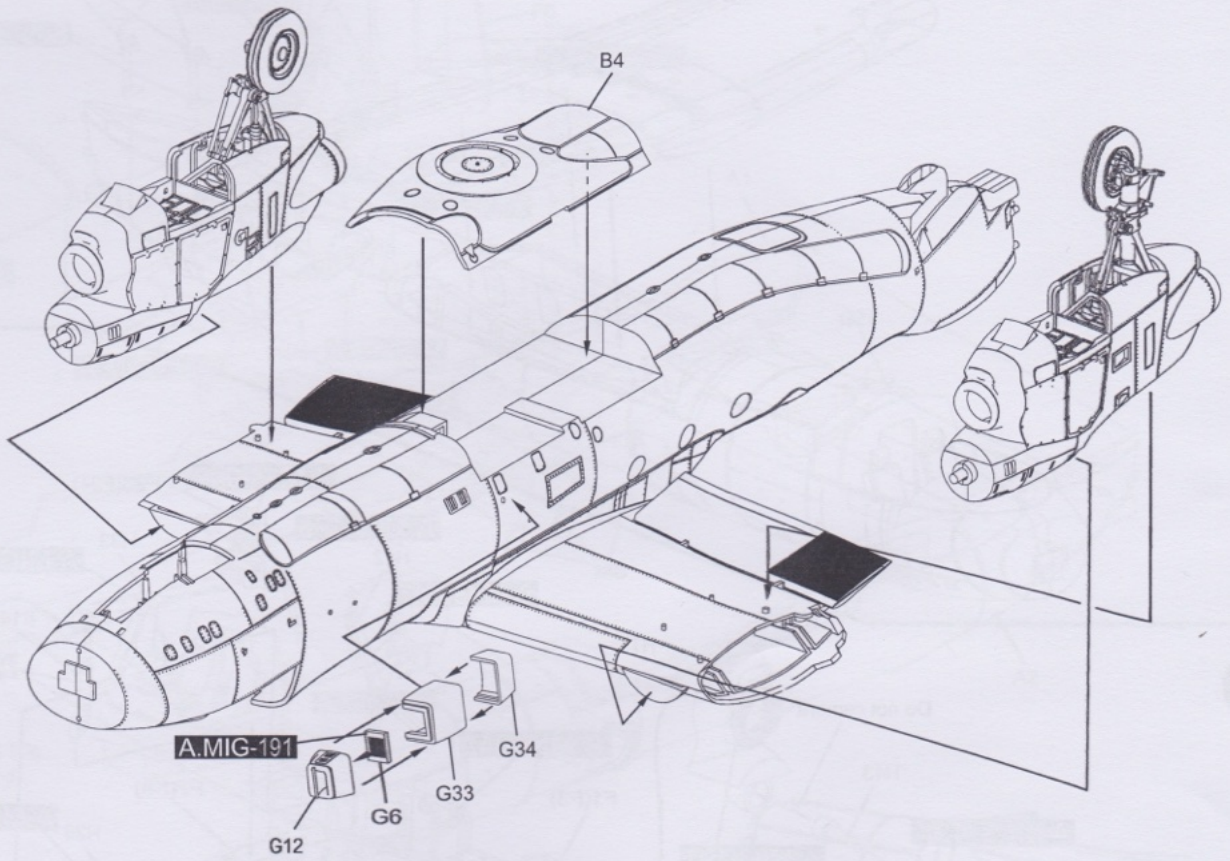
3



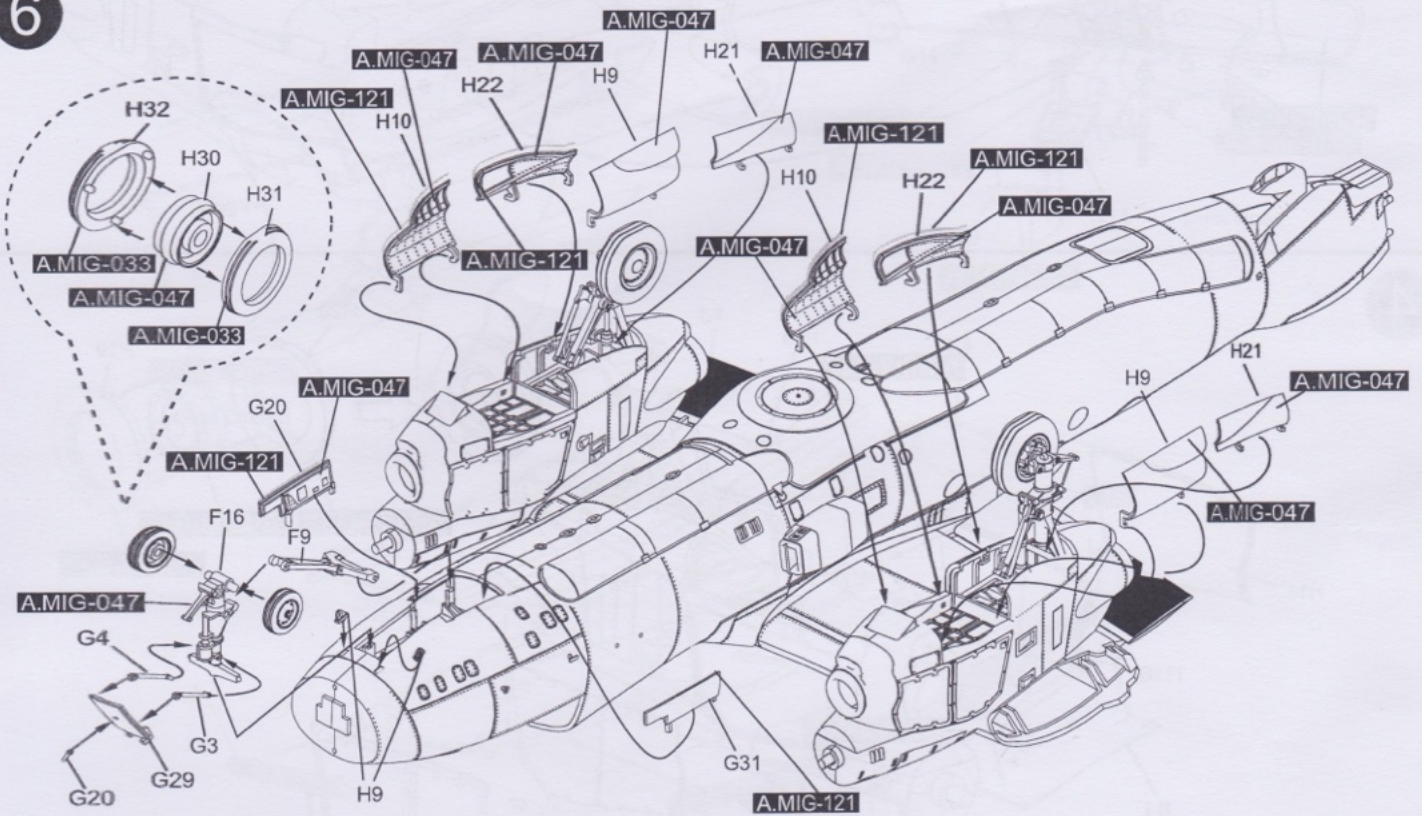
4



5

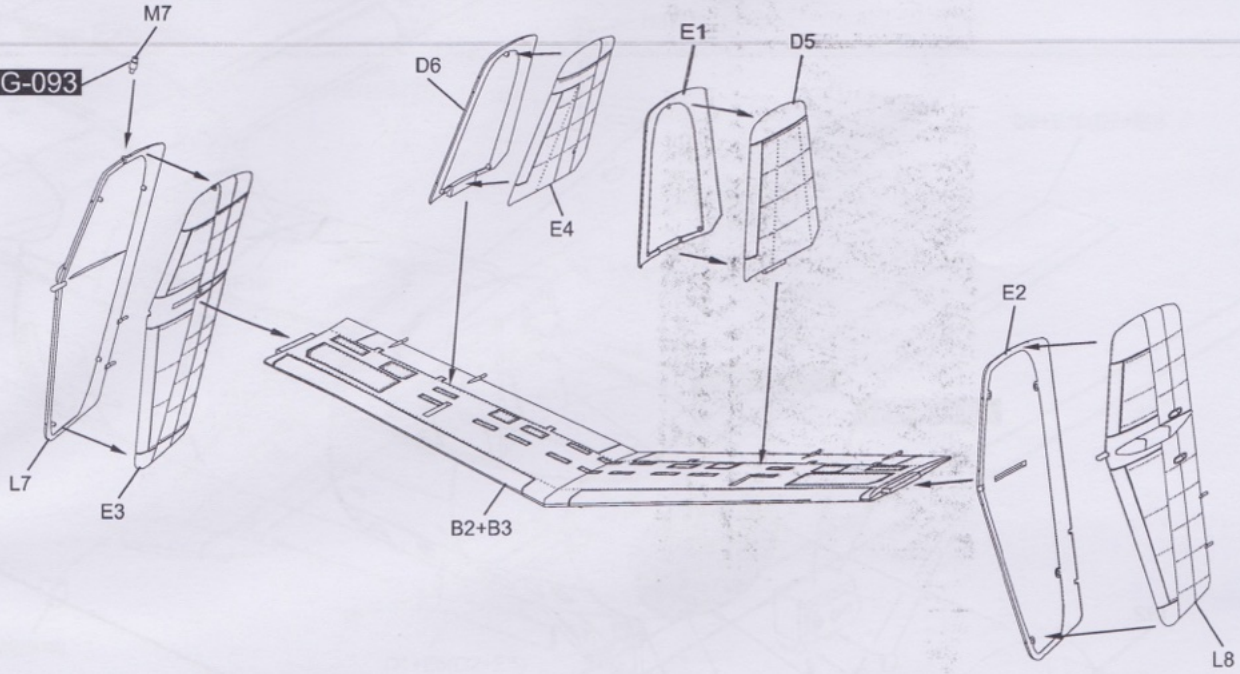


6

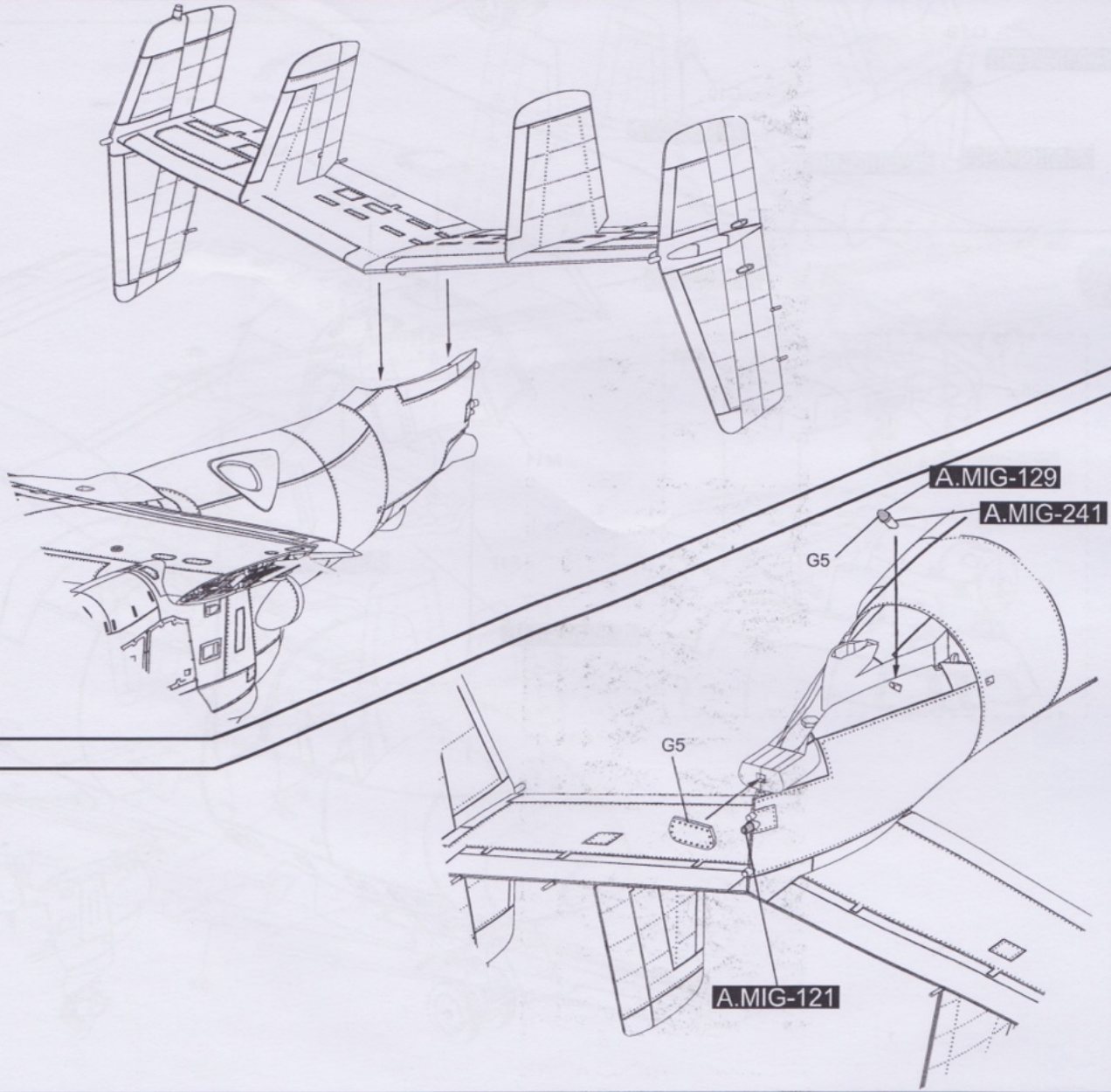


7

A.MIG-093



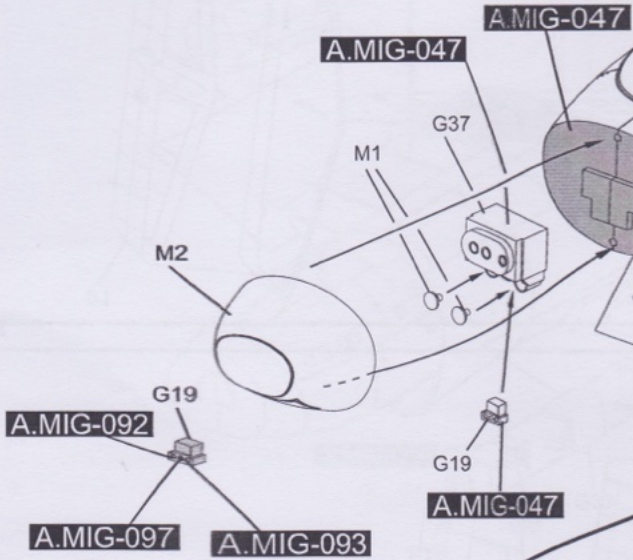
8



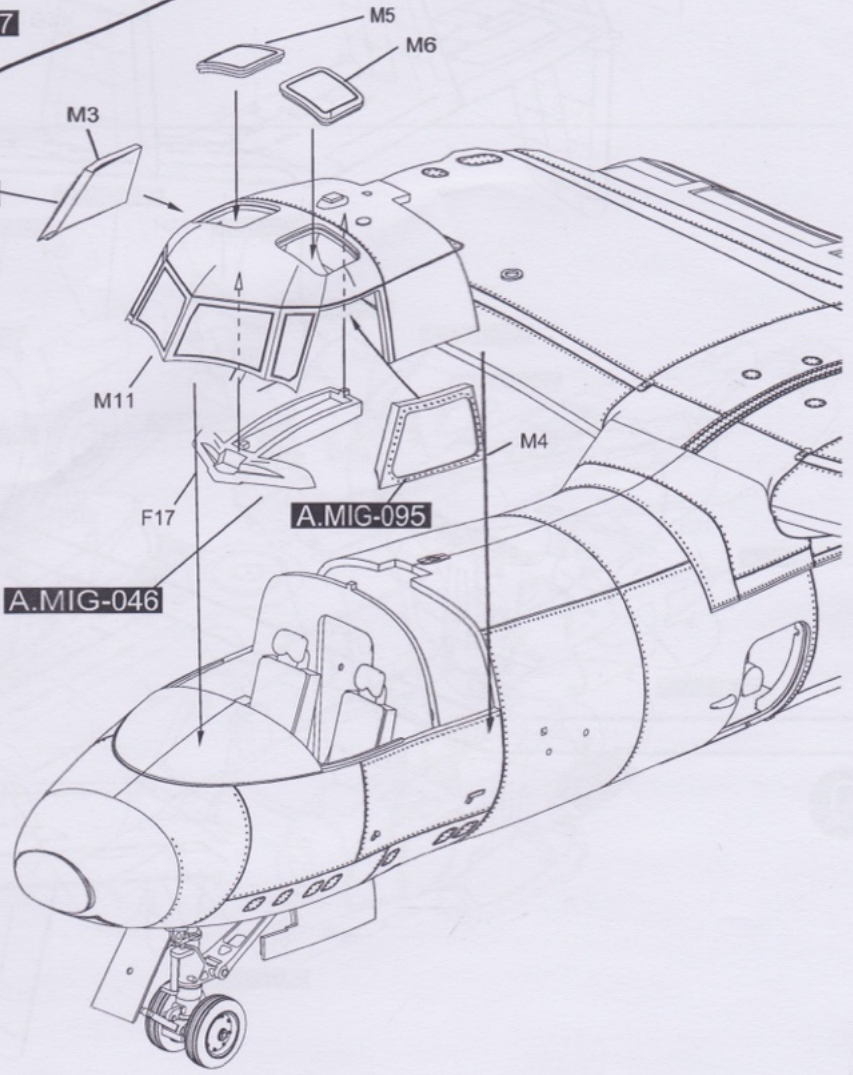
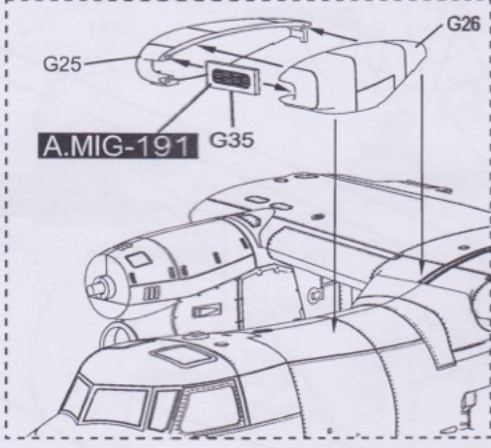
9

A.MIG-121

10

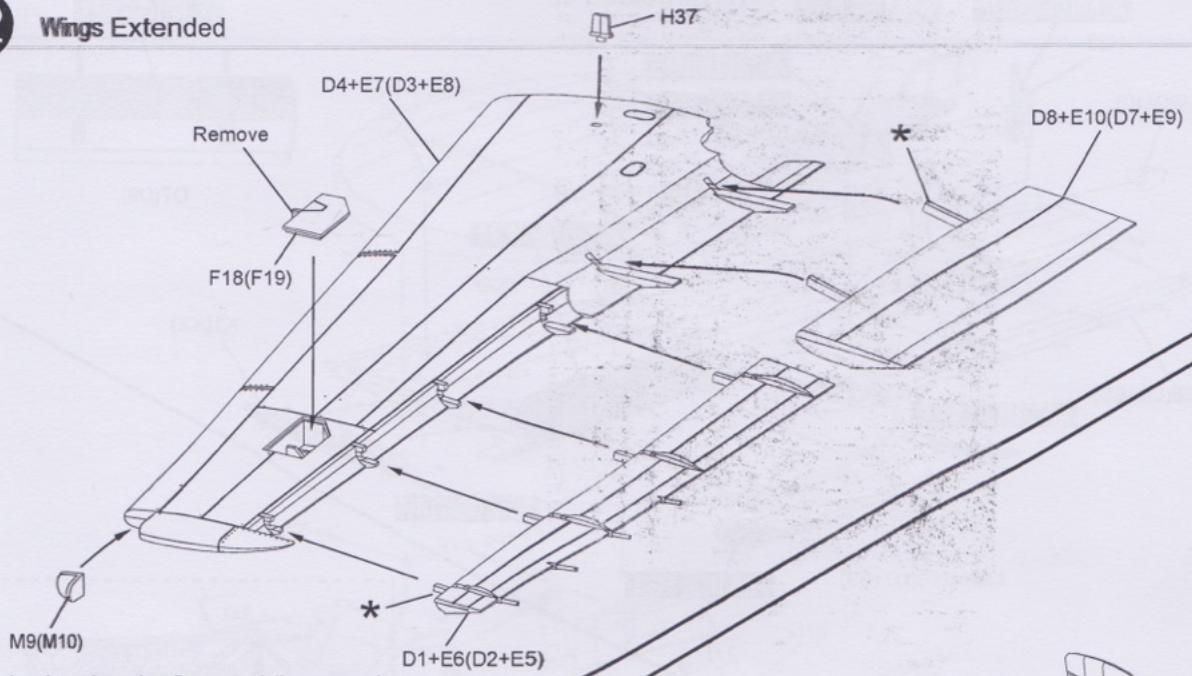


11



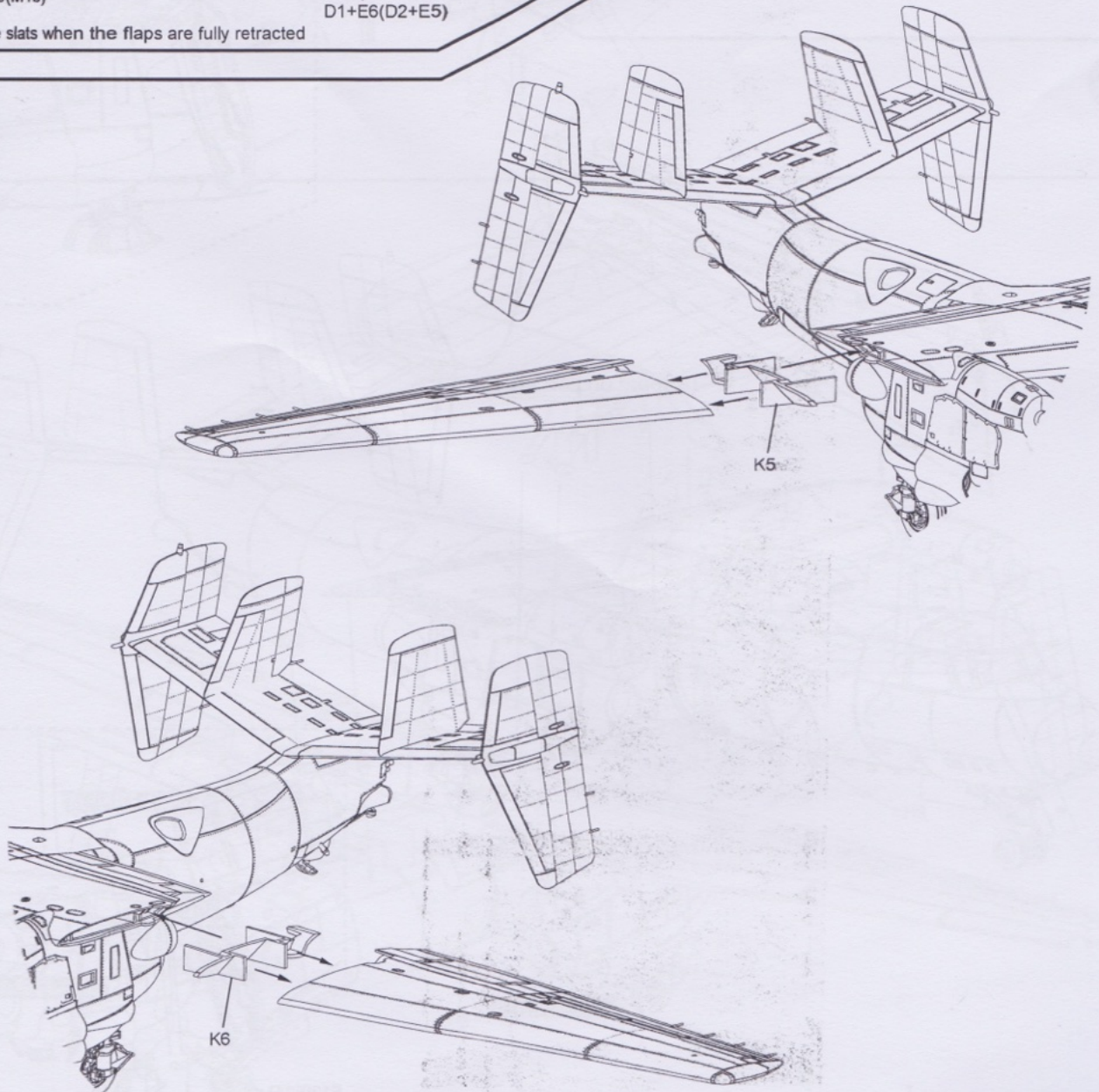
12

Wings Extended

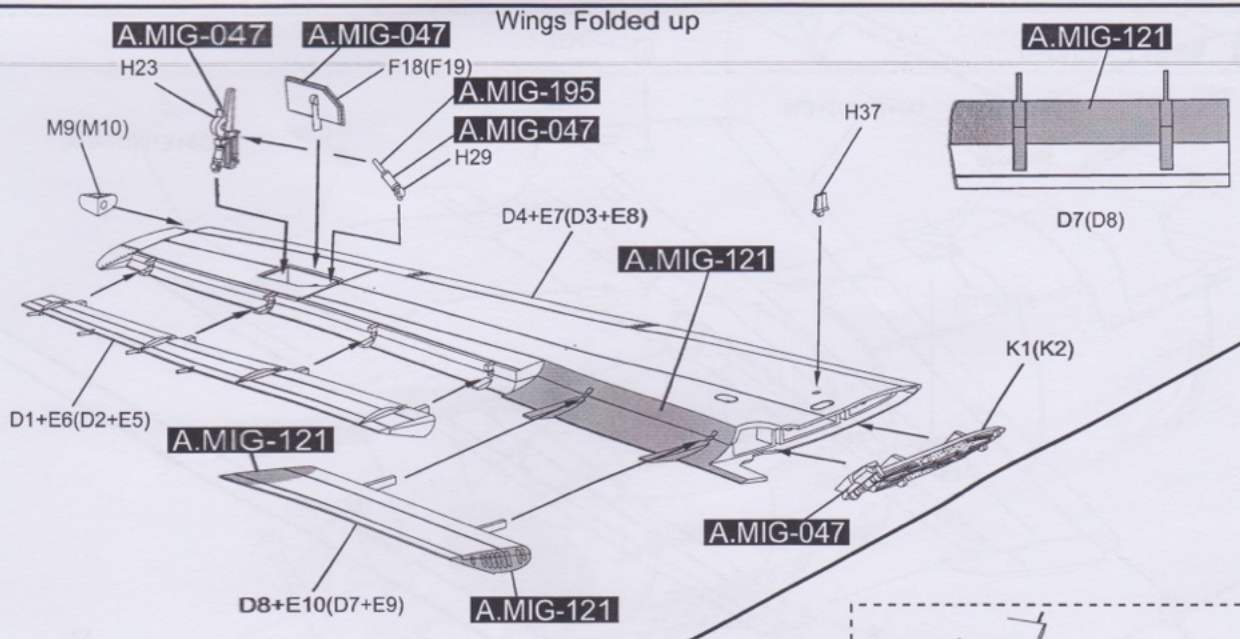


*Cut the slats when the flaps are fully retracted

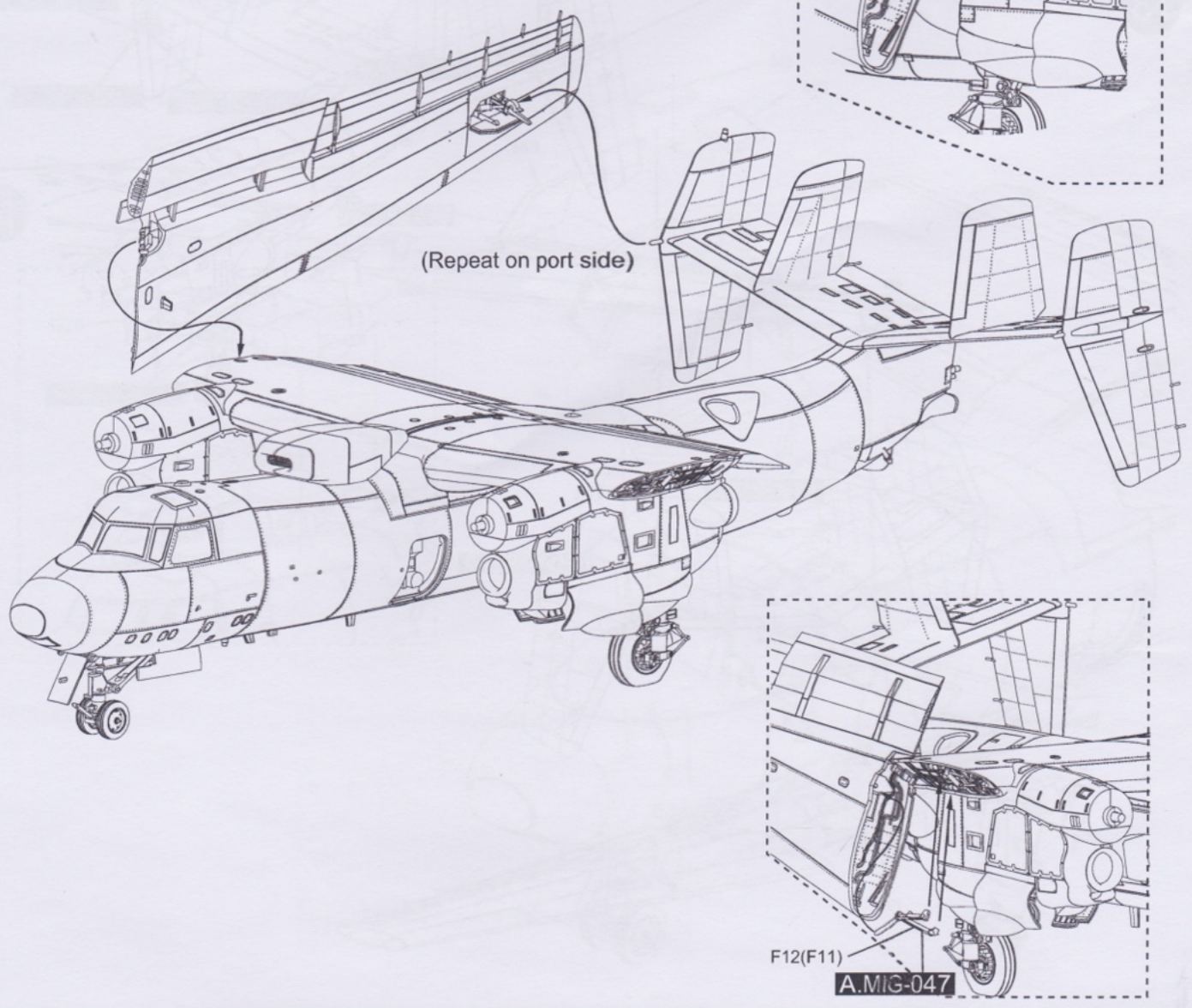
13



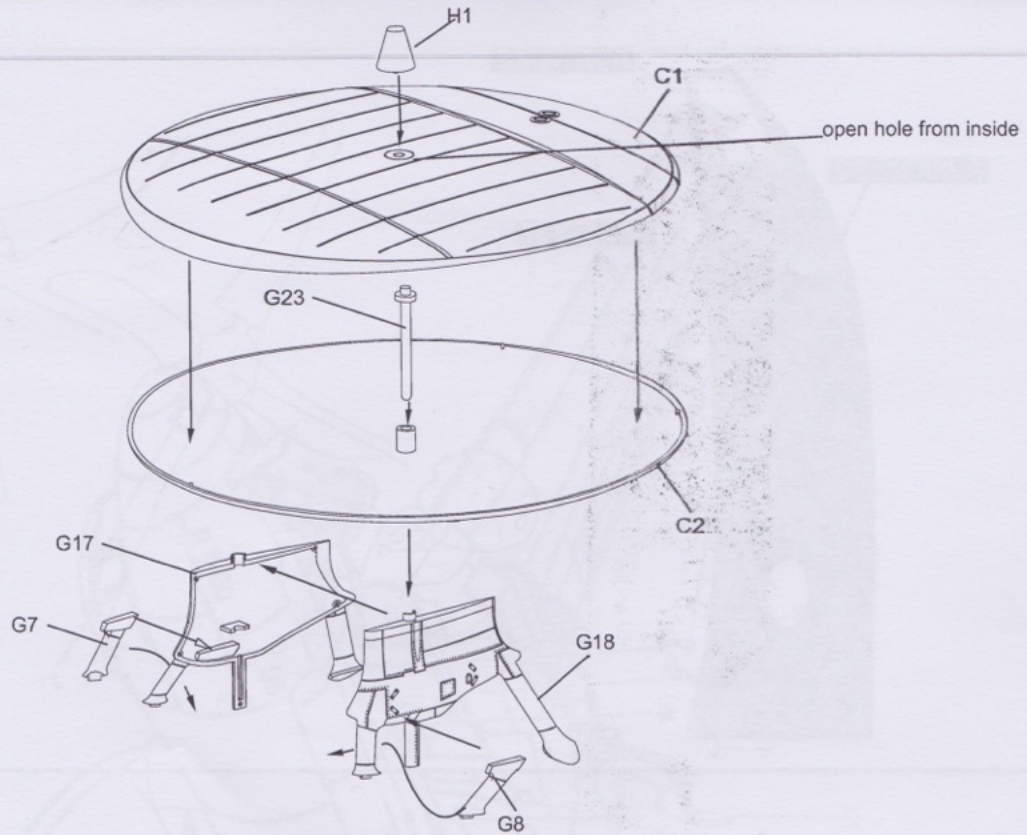
14



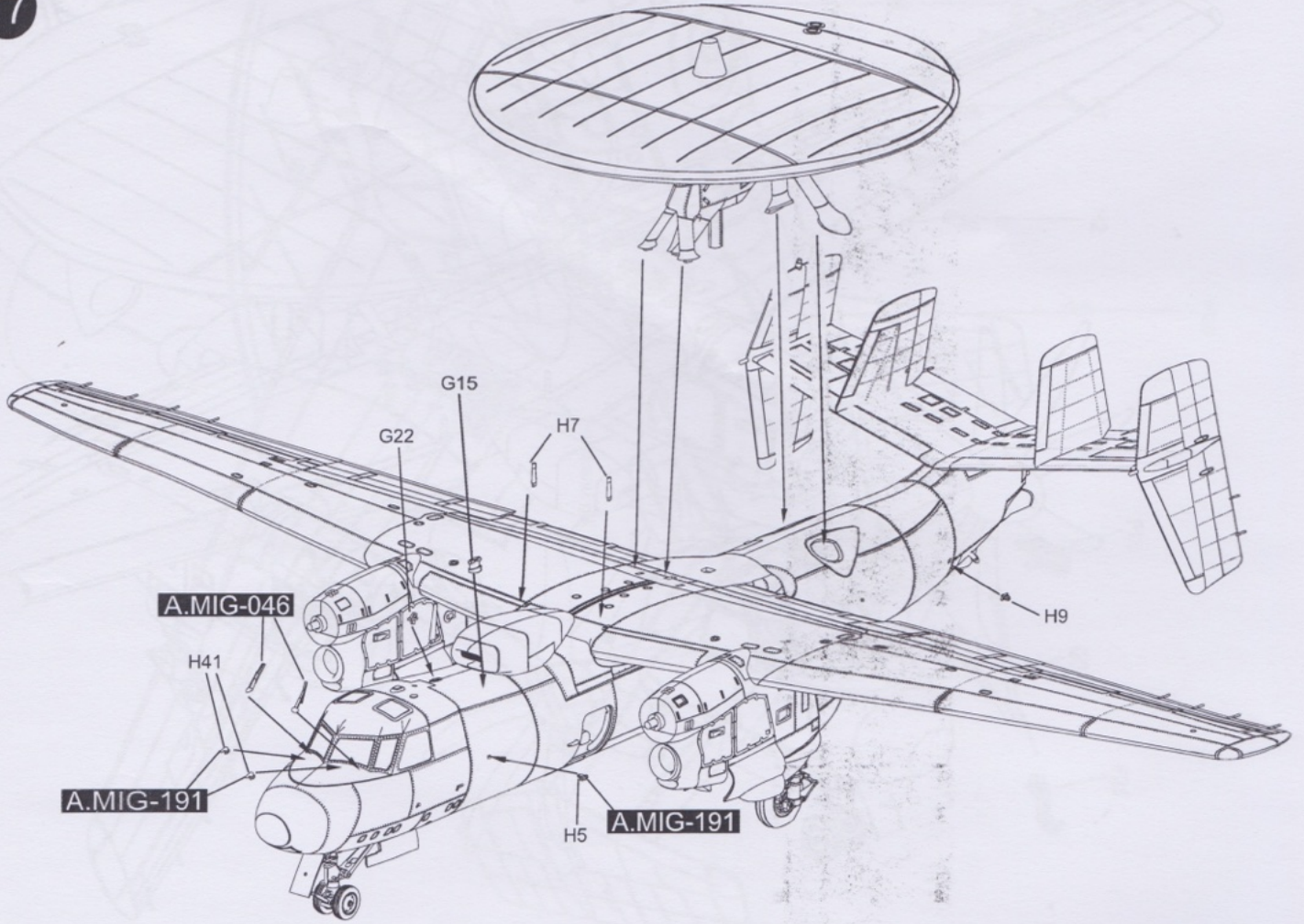
15



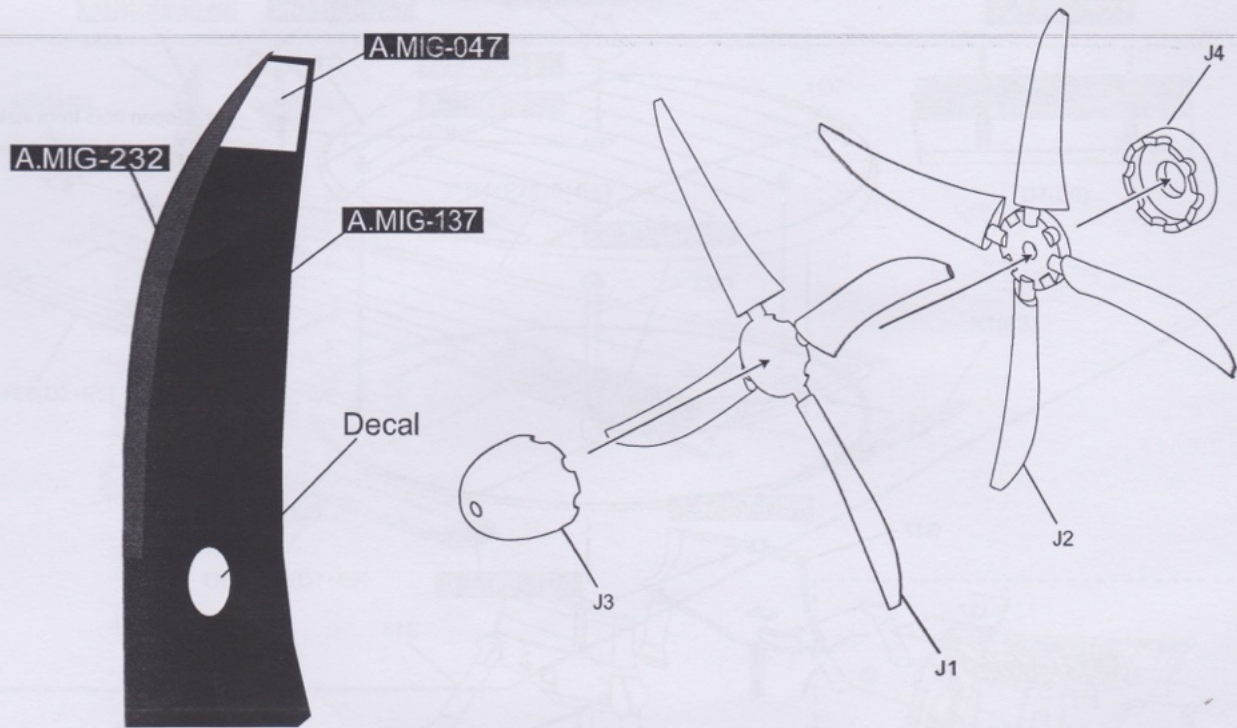
16



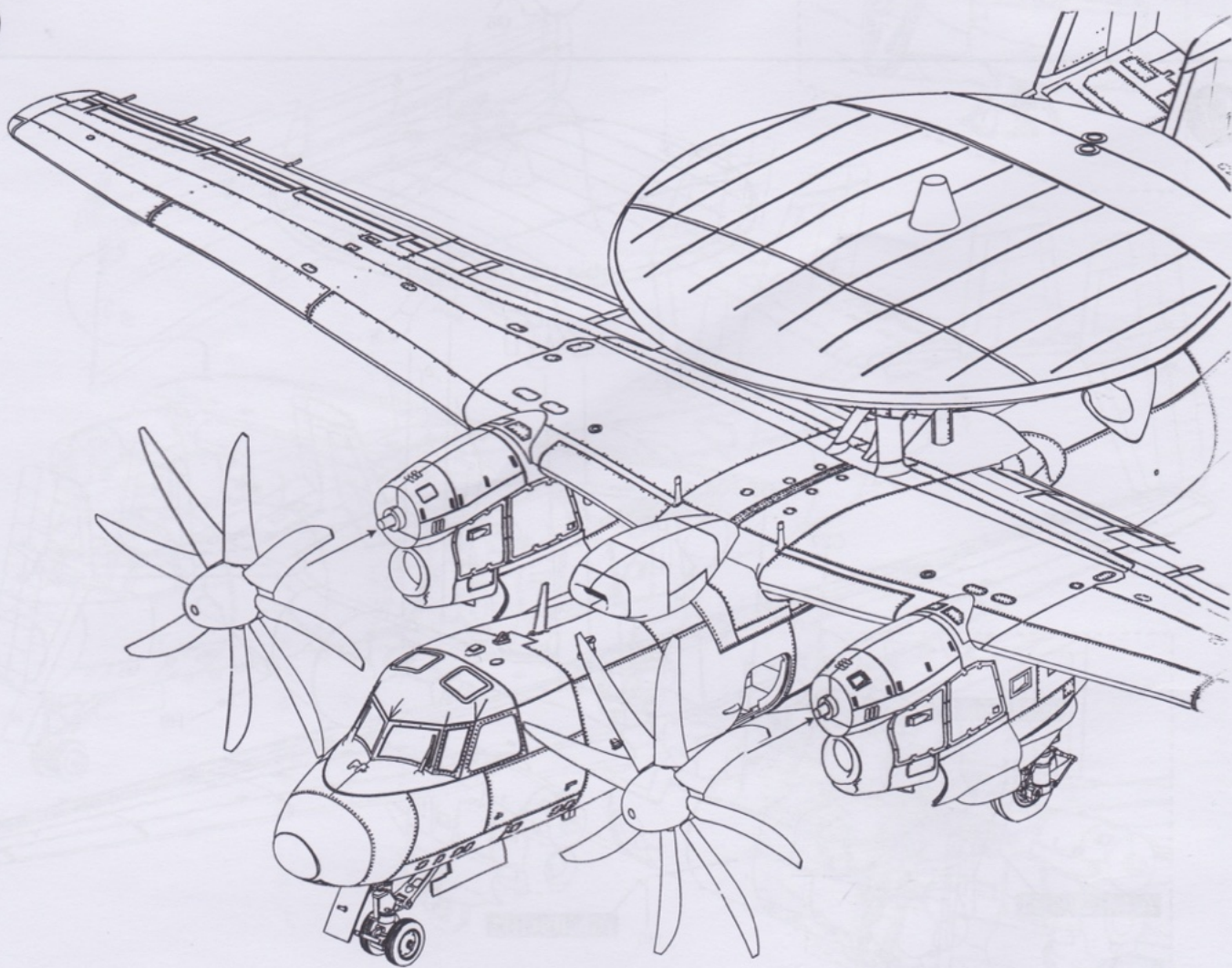
17

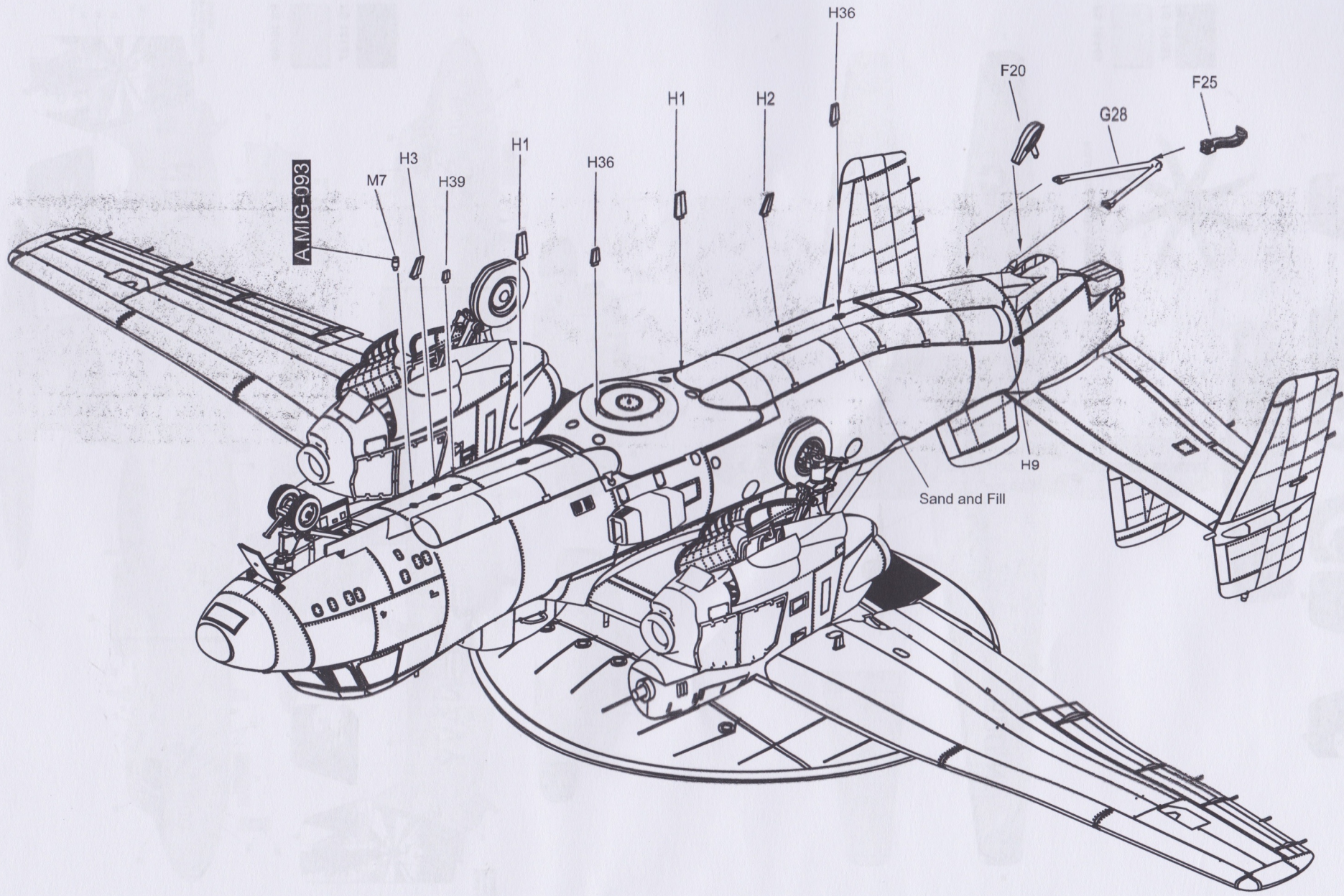


18



19





A.MIG-093

M7

H3

H39

H1

H36

H1

H2

H36

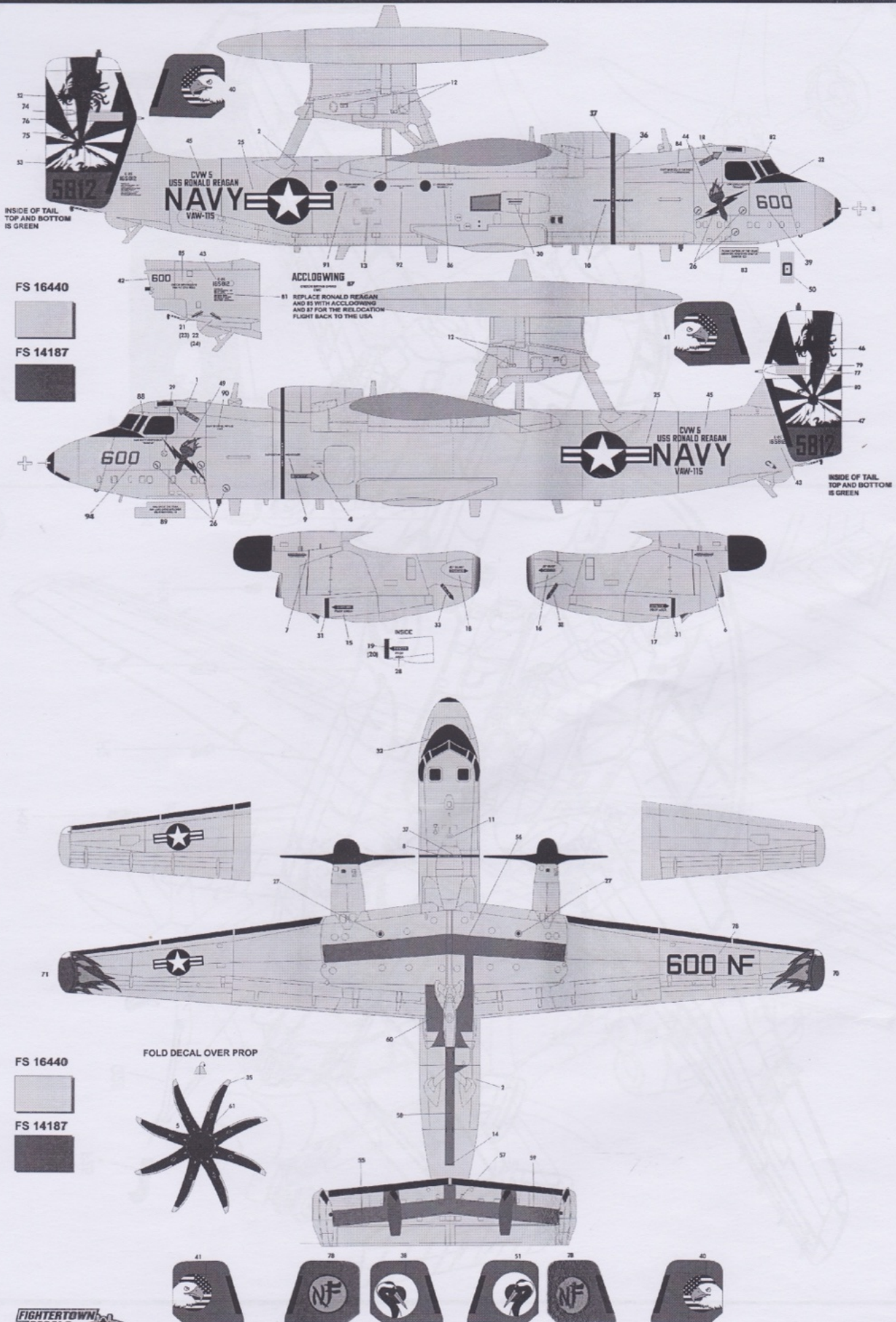
F20

G28

F25

H9

Sand and Fill



FS 16440

FS 14187

ACCLOGGING

REPLACE RONALD REAGAN AND 85 WITH ACCLOGGING AND 87 FOR THE RELOCATION FLIGHT BACK TO THE USA.

FOLD DECAL OVER PROP

FS 16440

FS 14187