

M270/A1 Multiple Launch Rocket System - Finland/Netherlands

M270/A1多管火箭系统-芬兰/荷兰

READ BEFORE ASSEMBLY:

- Study and understand these instructions thoroughly before beginning assembly
- When needed, remove photo-etch parts carefully using a modeling knife or photo etch sprue cutter, being careful not to damage or lose small parts.
- Take extra care in handling photo etch parts in order to avoid injury
- Apply instant cement sparingly to photo etch parts where instructed
- Tools recommended(not included in kit):Plastic and instant cements, sprue cutters,long nose pliers,modeling knife, small files, tweezers, pin vise & scissors. Soft cloth and sandpaper will also assist in construction
- Glue and paint are not included in the kit. Use plastic cement and hobby paints only. Color guide for purchasing paint is included in the kit.

装配之前仔细阅读

- 小心用模型锉刀锉平所有零件表面的注射浇口。
- 小心用刀片切下蚀刻片零件，不要遗失小零件。
- 用强力快干胶水粘合蚀刻片零件和金属轴。过量快干胶水使用可能导致可动零件会粘住，小心涂胶。
- 取蚀刻片时应特别注意安全，防止利边划伤手指。
- 某些零件表面需贴上水贴纸，请选择在装配的同时进行。
- 推荐模型工具(自备)：胶水，水口剪刀，长咀钳，刀片，锉刀，镊子，钳，钻，剪刀，瞬间快干胶。
- 软布同砂纸同时也应该是必备工具。
- 请使用塑料胶水和油漆，模型内不含。



配重
Weight



使用强力胶
Cyanoacrylate glue



钻孔
Make hole



切除
Cut / Remove



贴纸
Decal



锉平
File / Sand



选择
Option



不涂胶水
No cement



弯曲
Bend



先装
Install it first

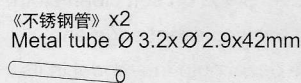
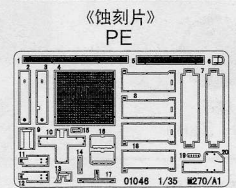
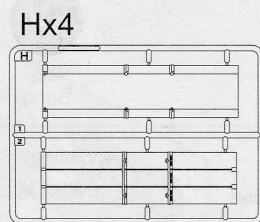
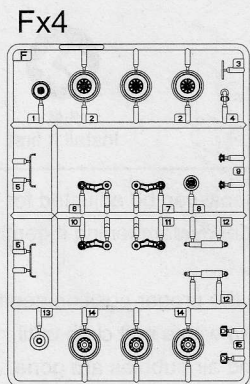
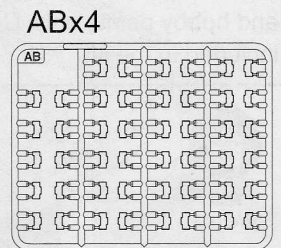
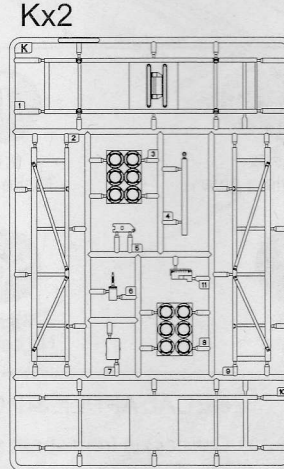
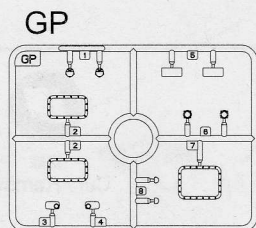
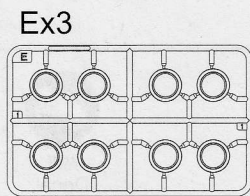
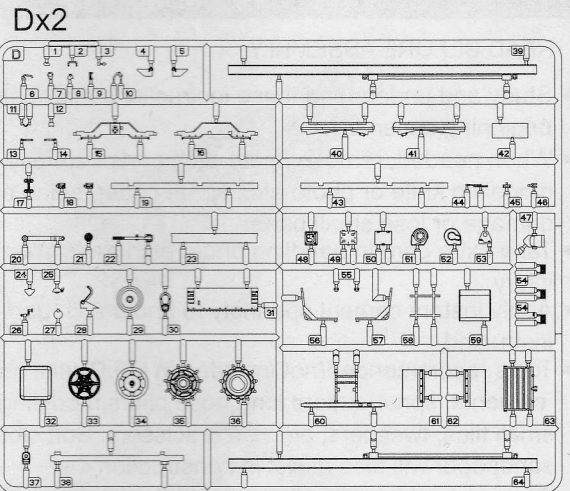
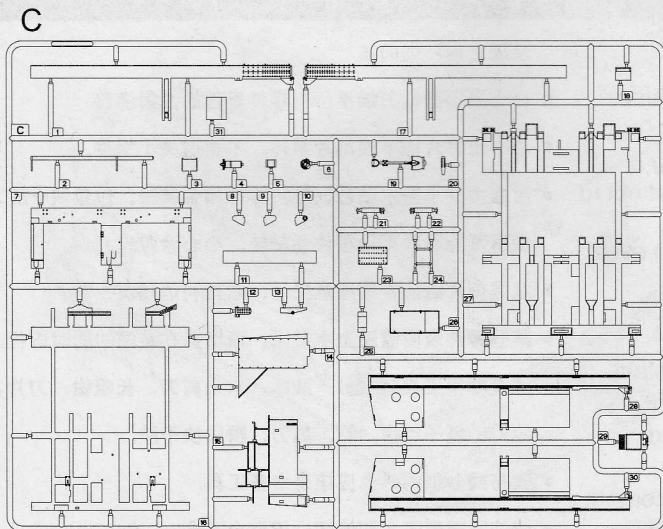
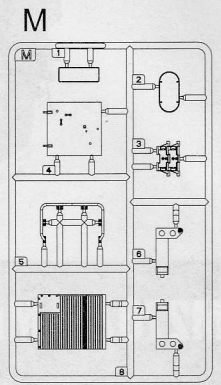
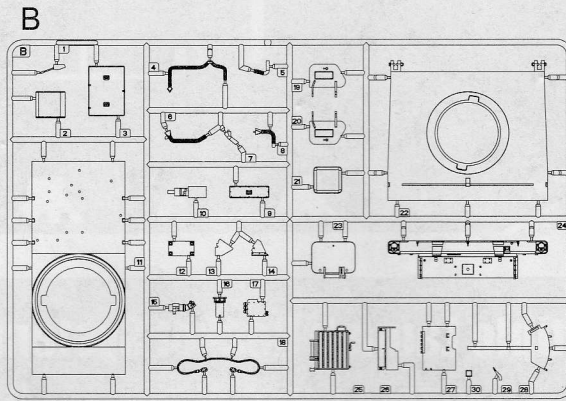
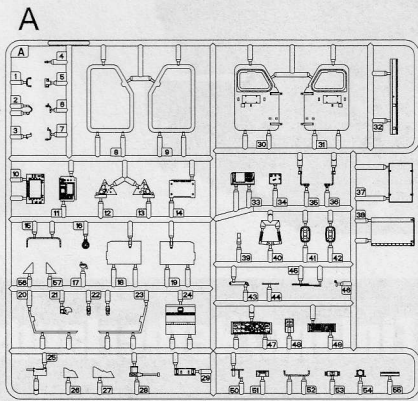
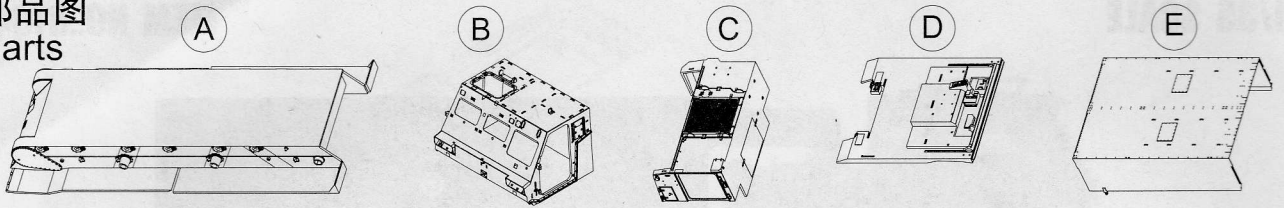
水贴纸的使用:

- 1.从水贴上剪下印花;
- 2.将印花放入温水中浸10秒, 然后放在干净布上.
- 3.拿着印花纸板将印花移到模型上;
- 4.手指蘸水将印花移到适当的位置;
- 5.用软布轻压印花直至水干, 气泡消失

DECAL APPLICATION

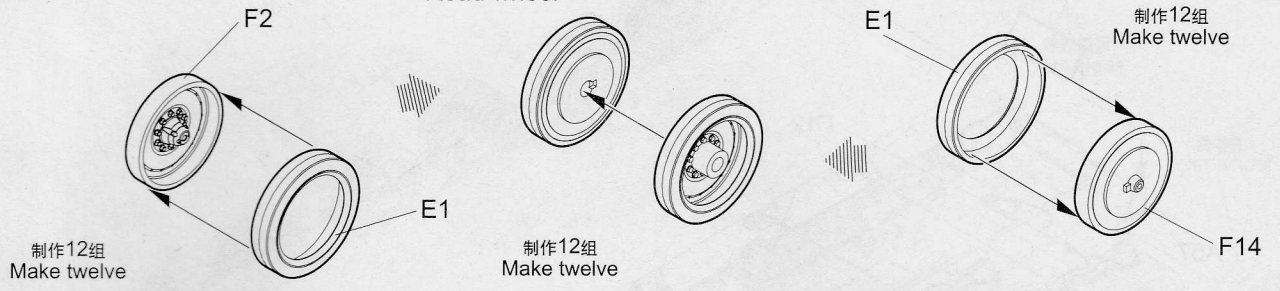
- 1.Cut decals from sheet as needed
- 2.Dip the decal in warm water for about 10 seconds and then place on soft clean cloth.
- 3.Hold the decal backing sheet edge and gently slide the decal onto the model in its proper position.
- 4.While still wet,decal can be adjusted for better fit on model by dampening it gently with your finger.
- 5.When placed in the proper position,gently press decal down with a soft cloth until excess water and air bubbles are gone.
- 6.Allow decal to dry completely before handling model

部品图
Parts

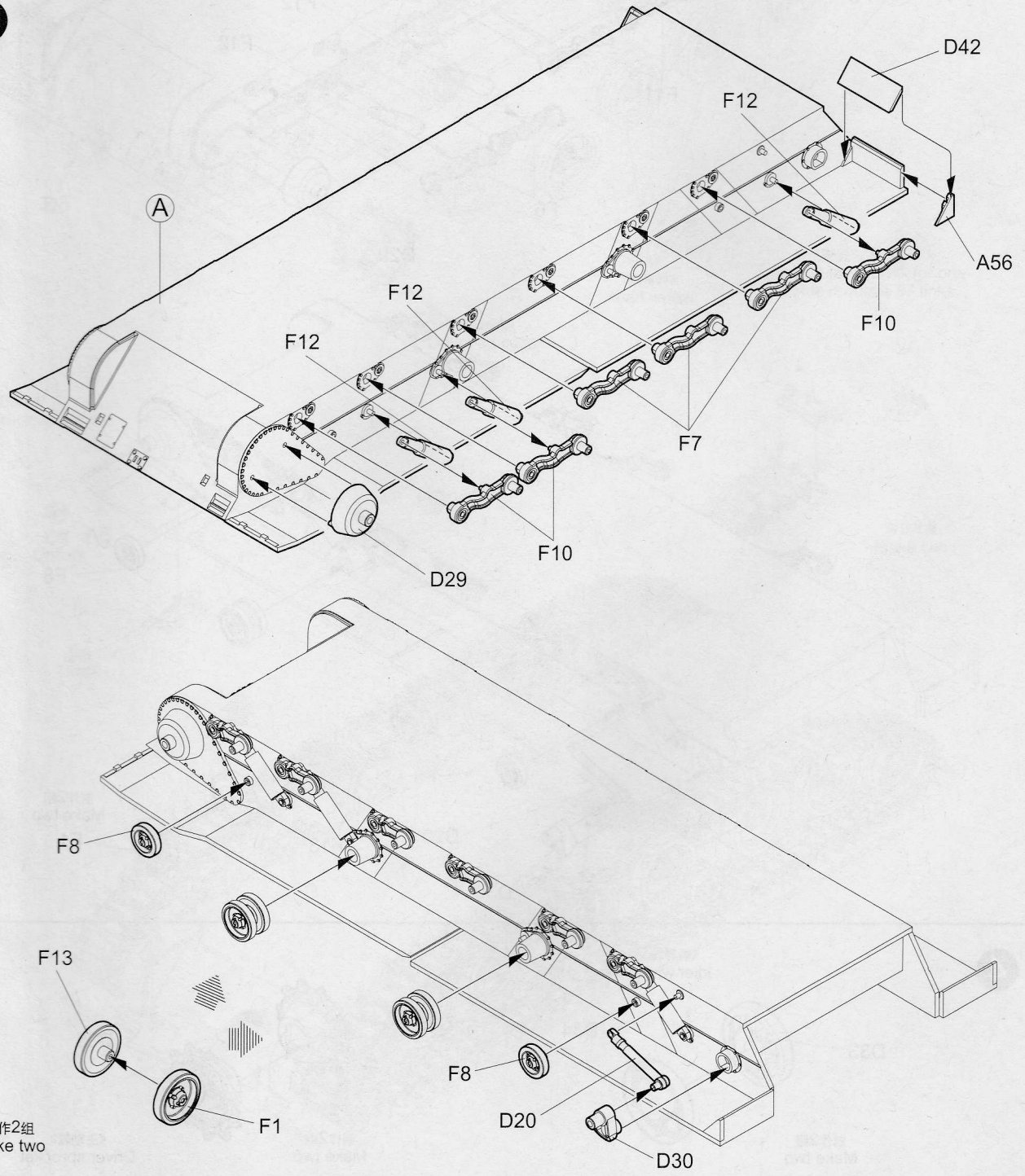


1

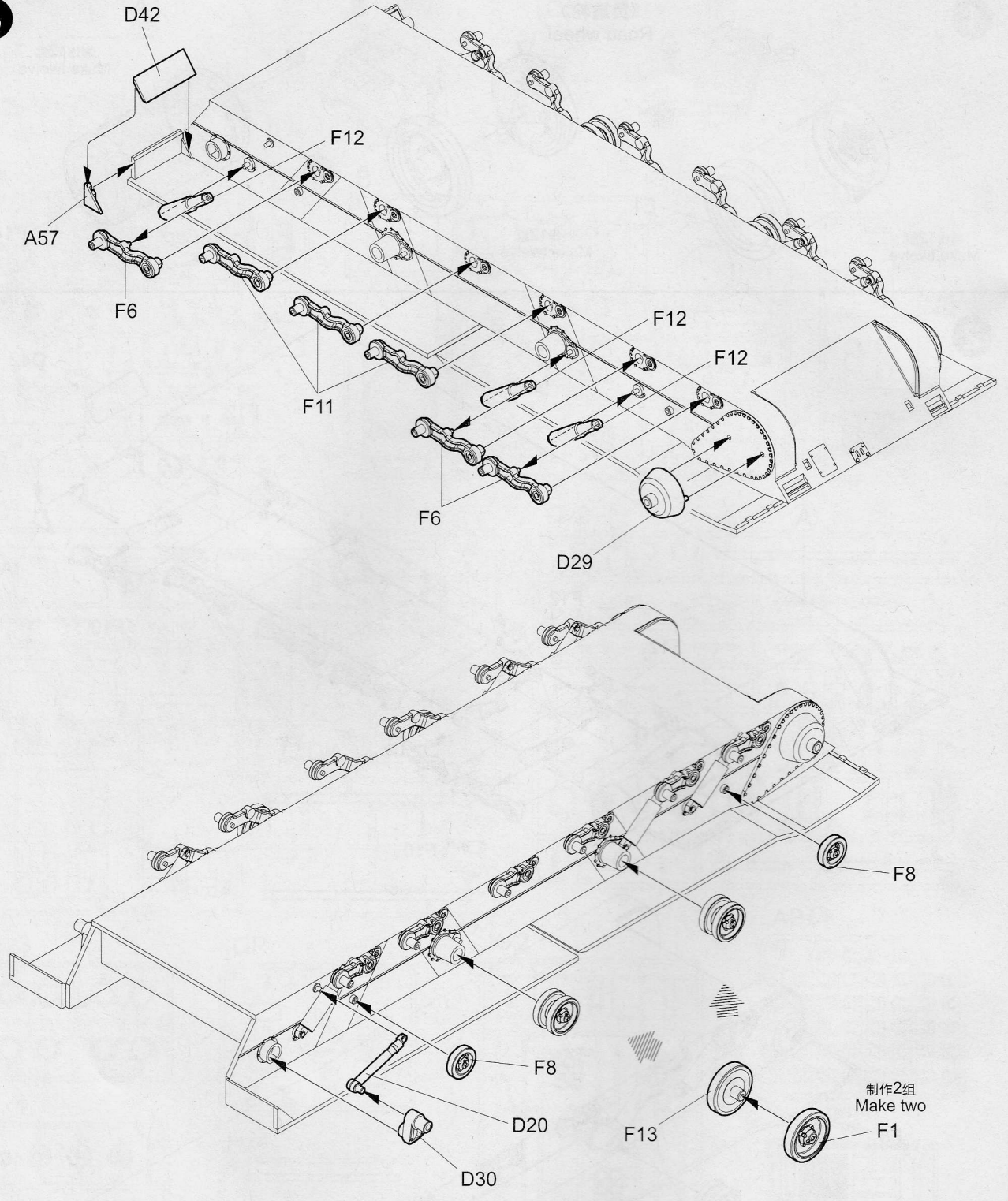
《负重轮》
Road wheel



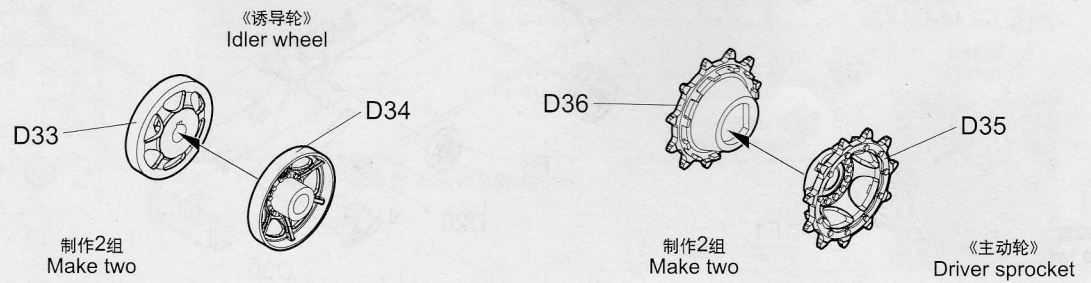
2



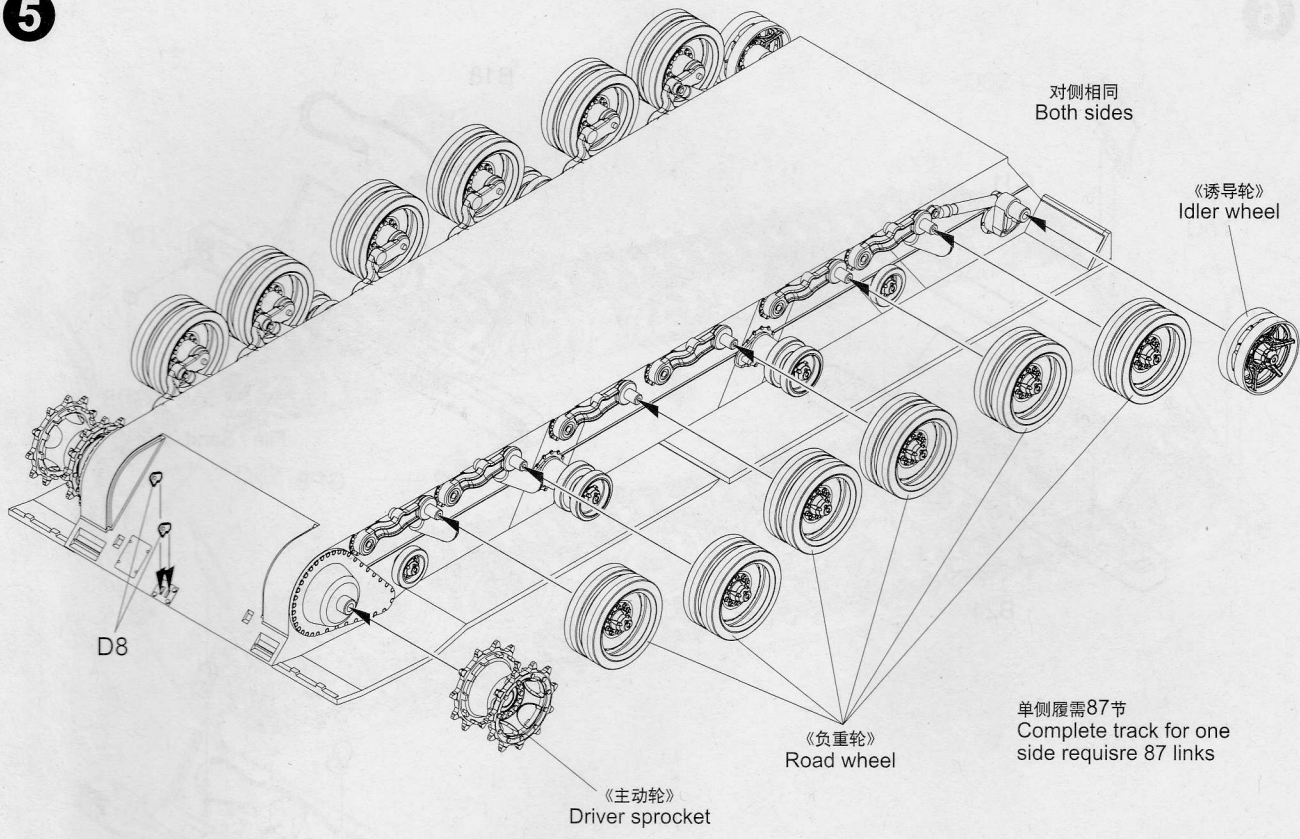
3



4

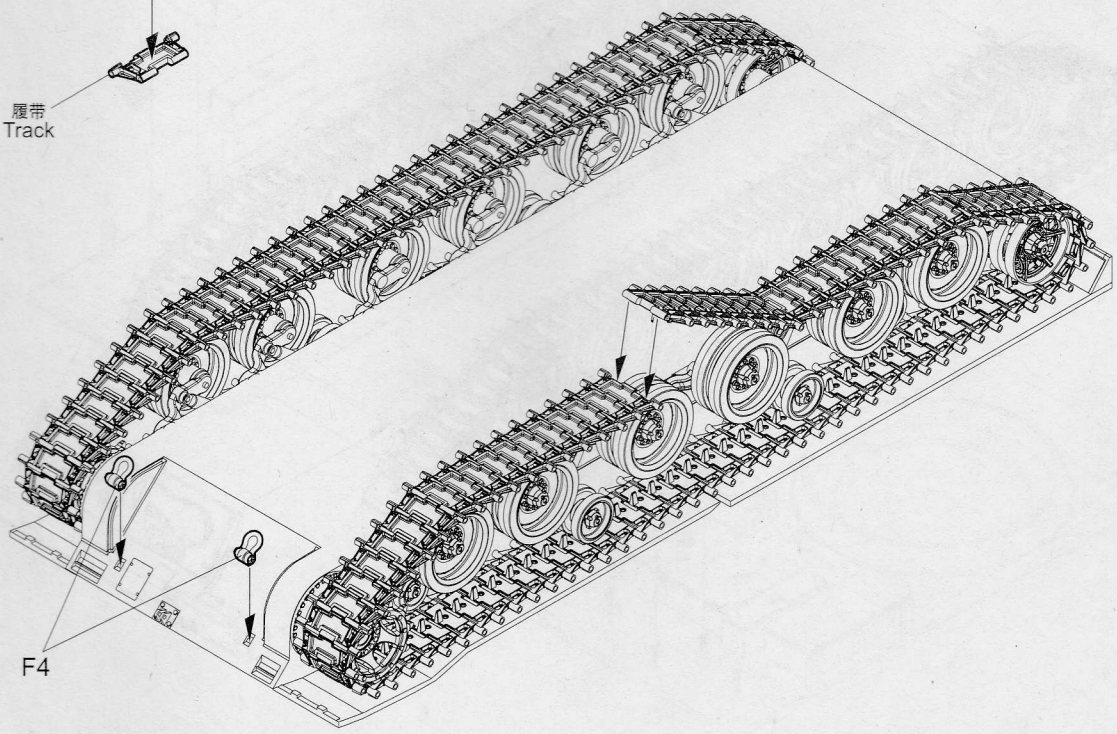
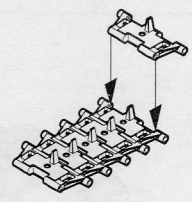
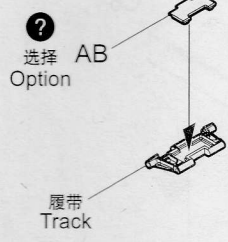


5

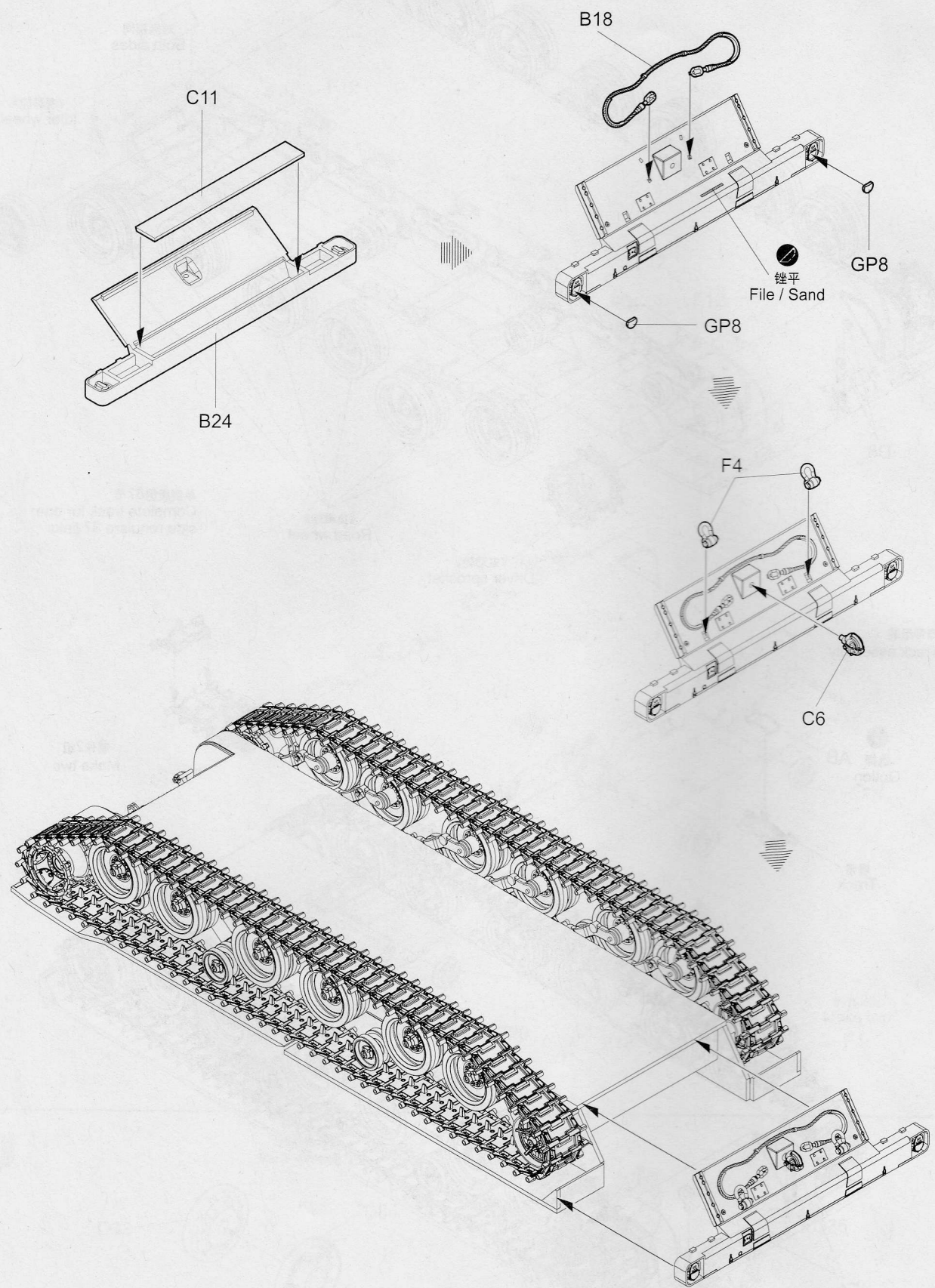


单侧履需87节
Complete track for one side require 87 links

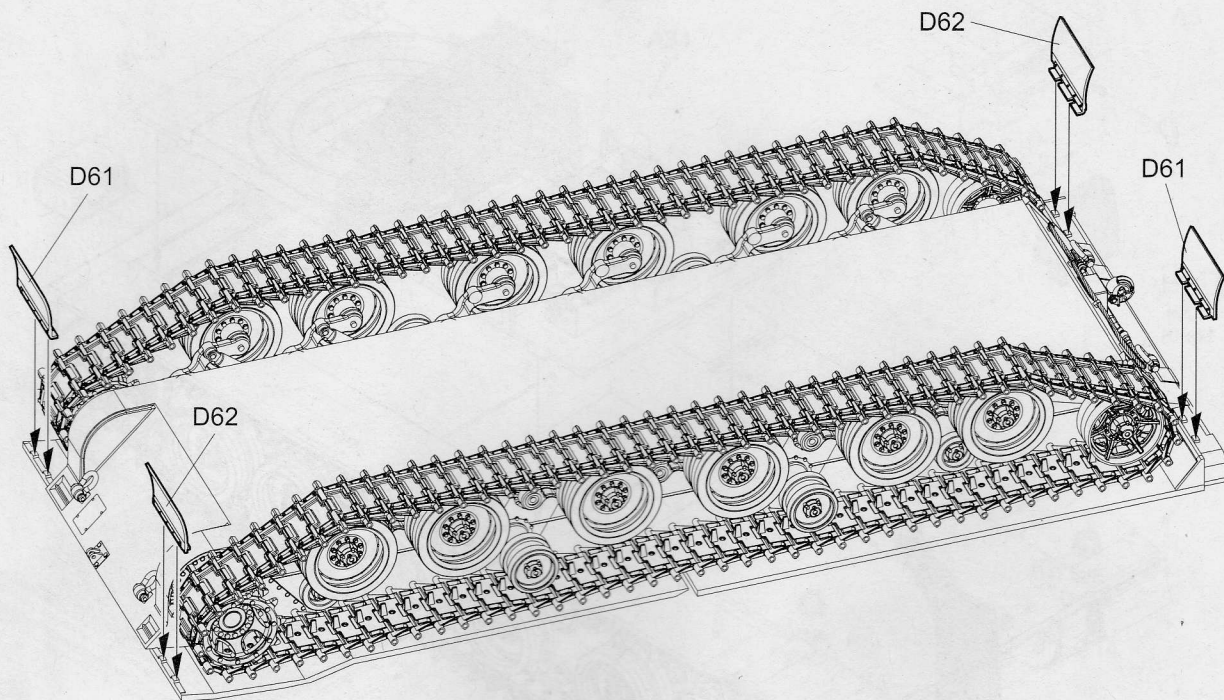
履带组装
Track assembly



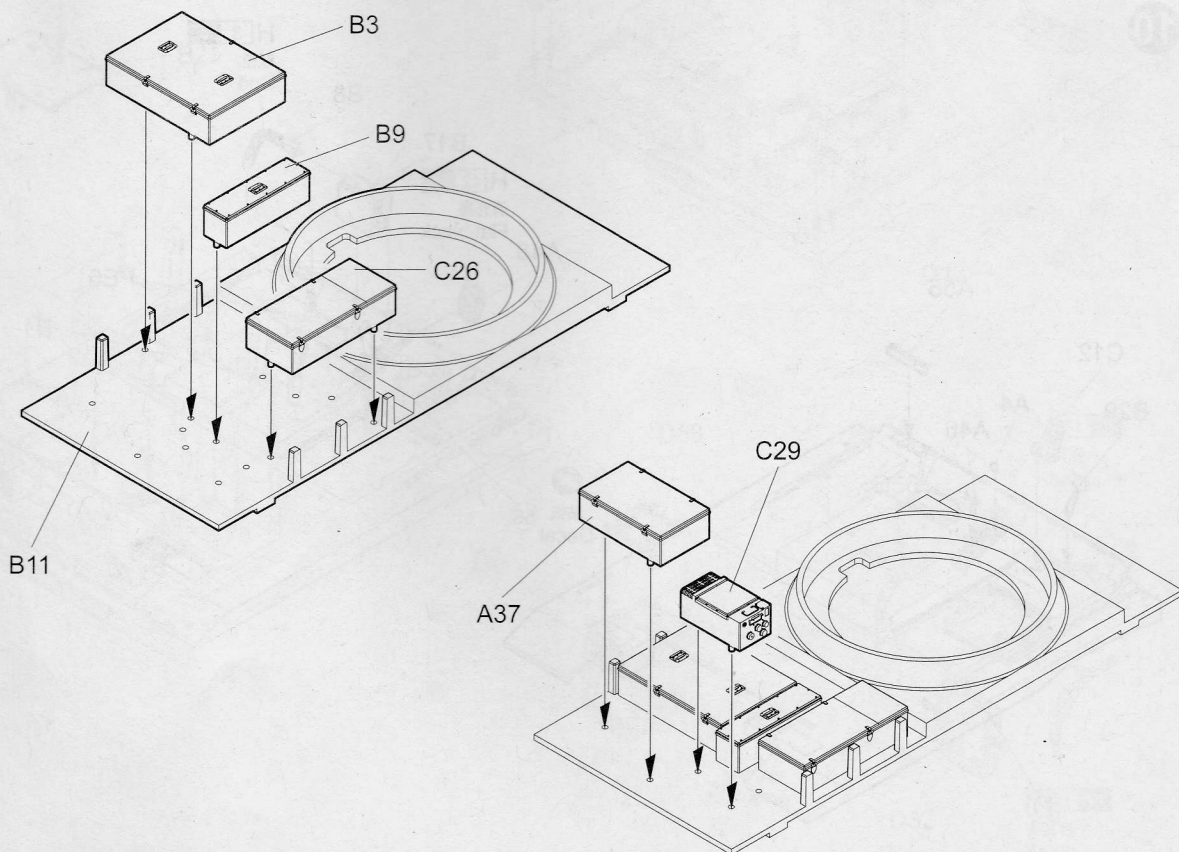
6



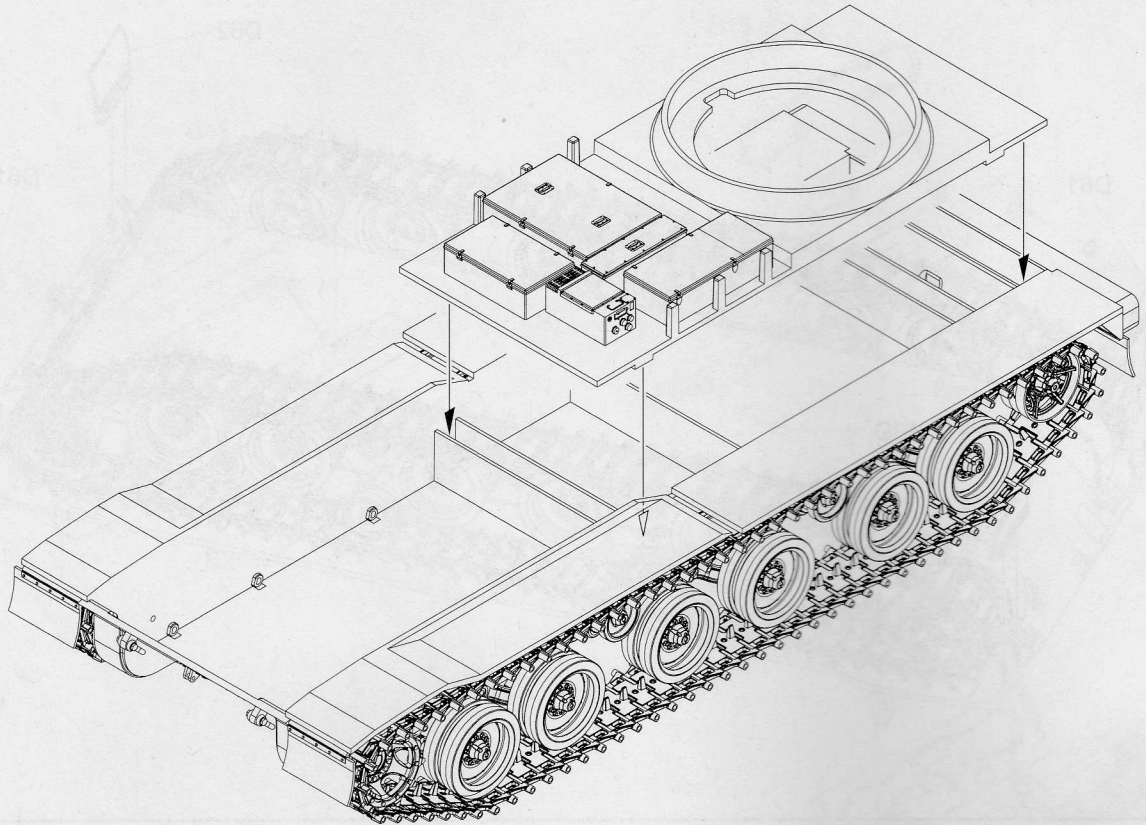
7



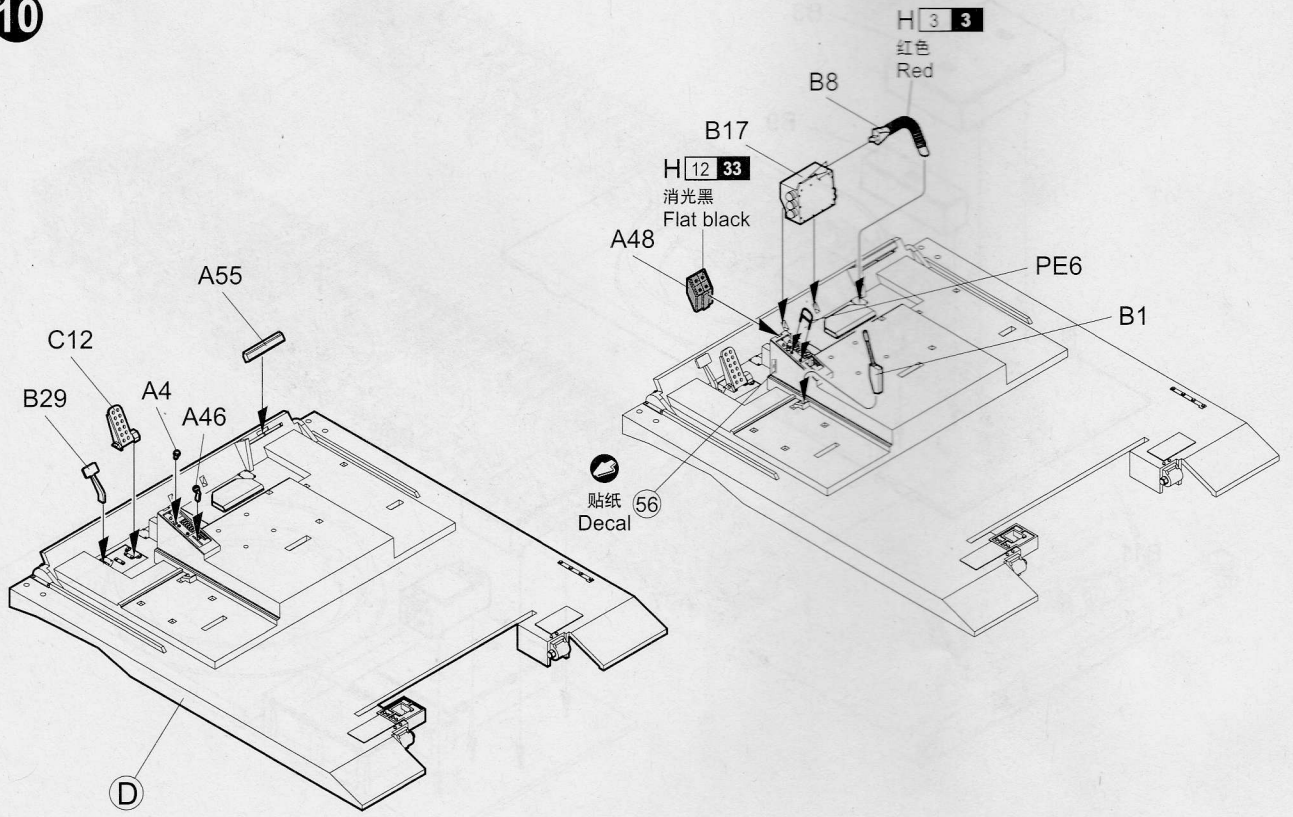
8



9



10



11

H 312 312

绿色
Medium Grey Green

C15

A34

A5

A33

A44

H 81 55
卡其色
Khaki

B21

C24

A28

贴纸
Decal

64 贴纸
Decal

63

55

C14

H 81 55
卡其色
Khaki

B2

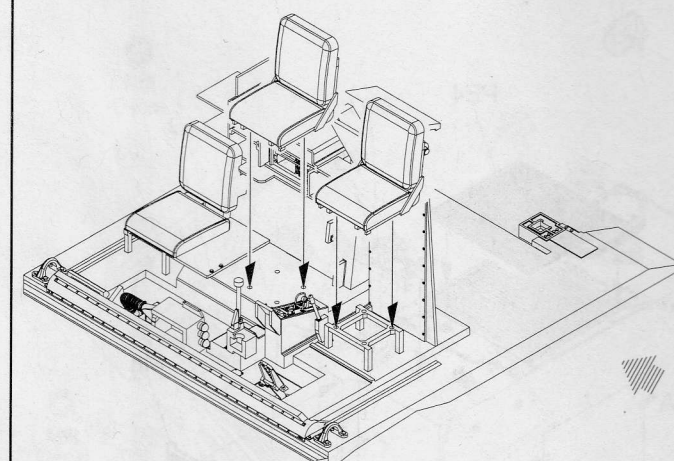
H 312 312
绿色
Medium Grey Green

D17

H 312 312
绿色
Medium Grey Green

B27

D17



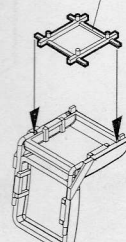
D58

H 81 55
卡其色
Khaki

D56

D59

D57

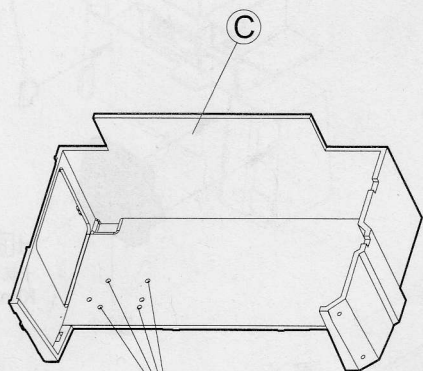


制作2组
Make two

D32

H 81 55
卡其色
Khaki

12

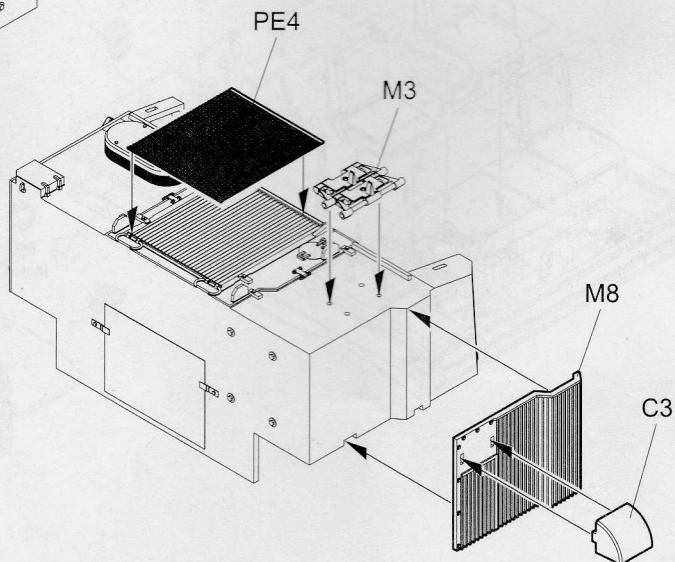
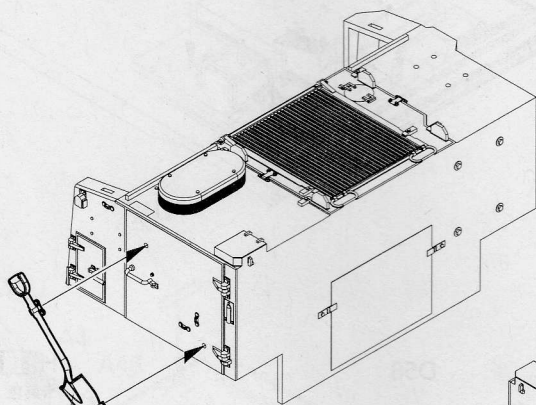
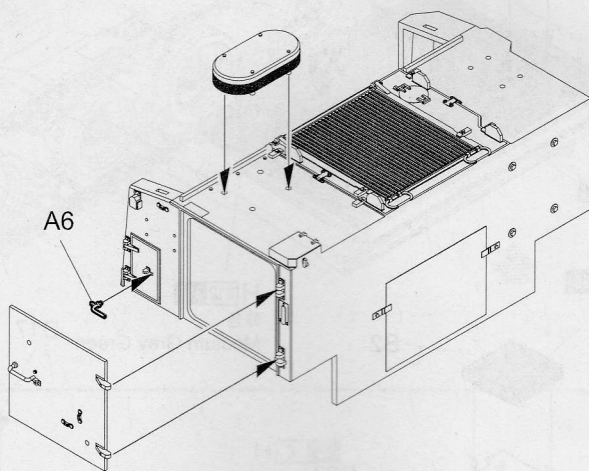
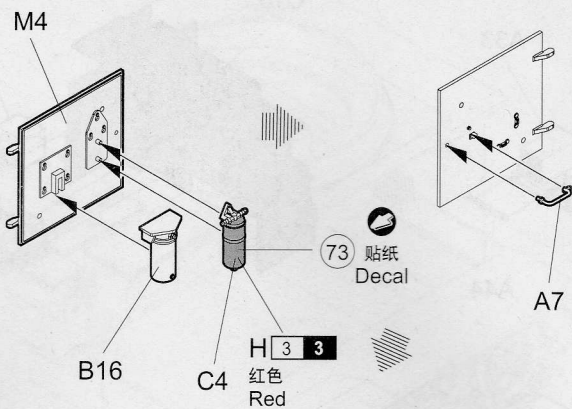


Make hole

PE1 弯曲 Bend

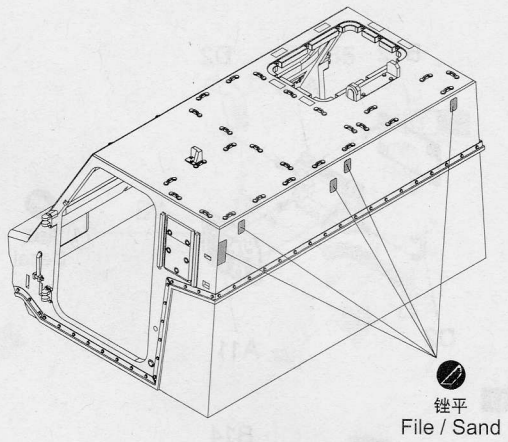
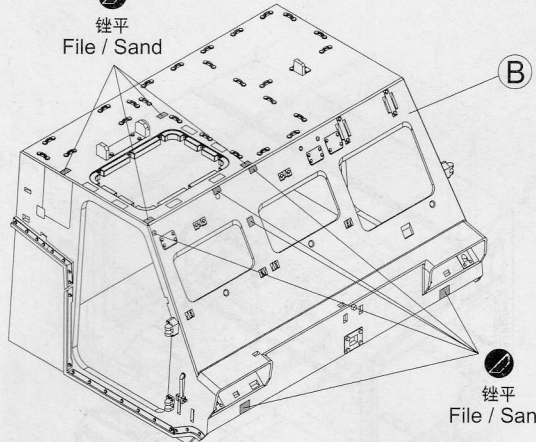


M2



13

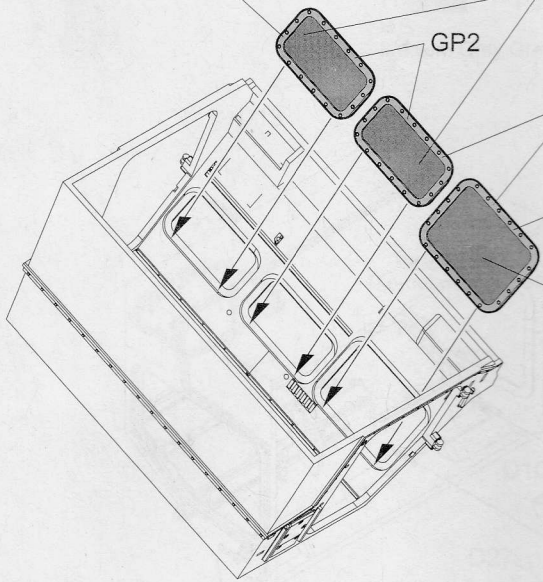
锉平
File / Sand



锉平
File / Sand

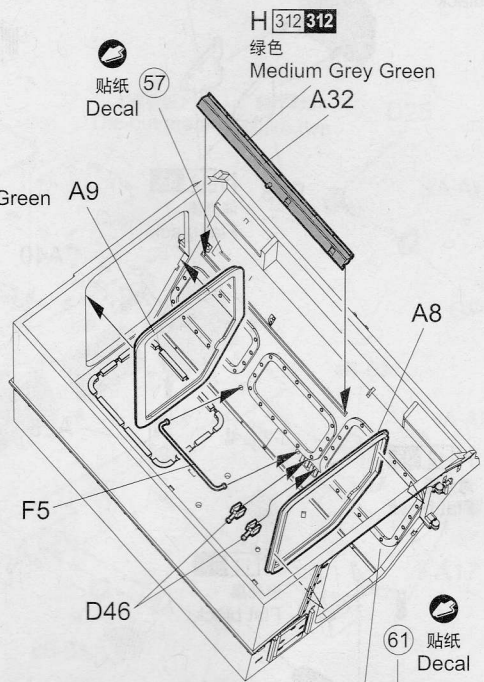
H 312 312
绿色
Medium Grey Green

2
《遮盖纸》
Die-cut mask



H 312 312
绿色
Medium Grey Green

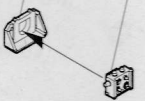
5
《遮盖纸》
Die-cut mask



H 312 312
绿色
Medium Grey Green

F15

F9

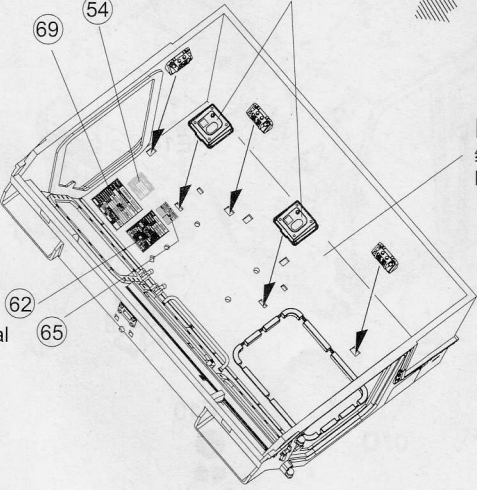


制作3组
Make three

贴纸
Decal

69 54

D48



H 312 312
绿色
Medium Grey Green

A51

A29

A54

68 贴纸
Decal

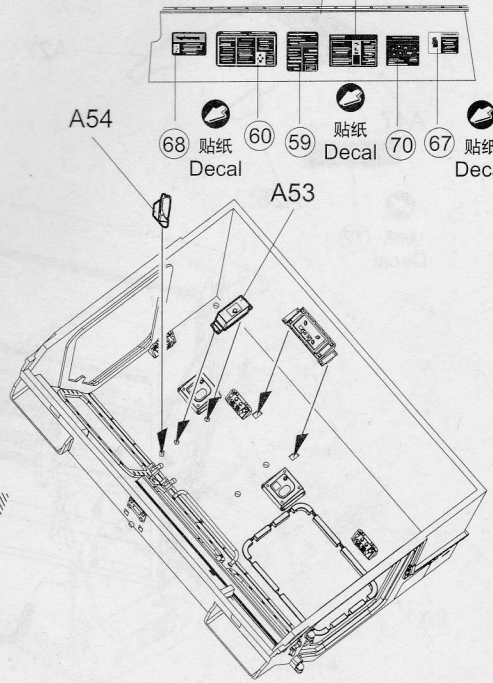
60 贴纸
Decal

59 贴纸
Decal

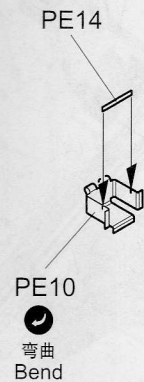
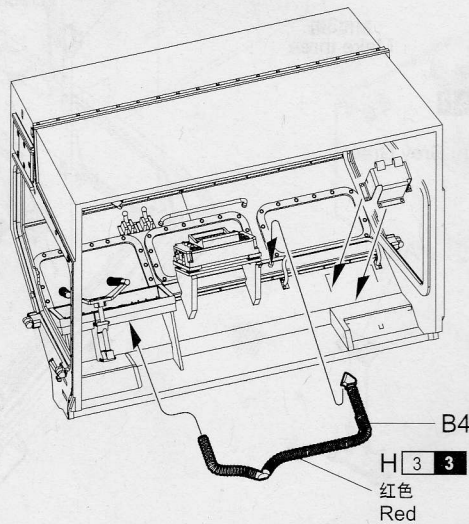
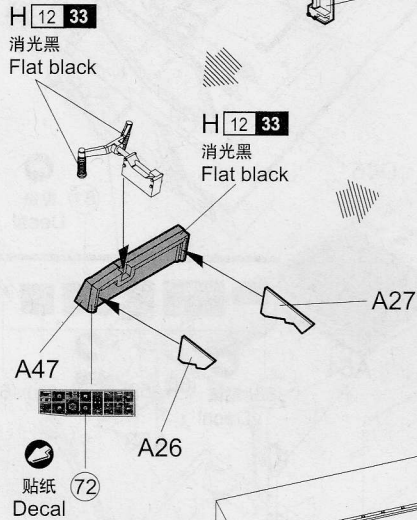
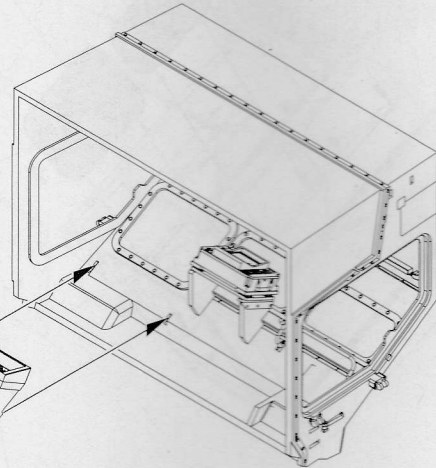
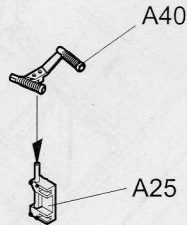
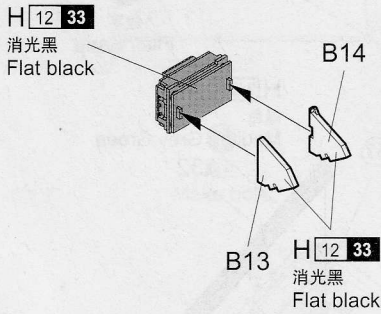
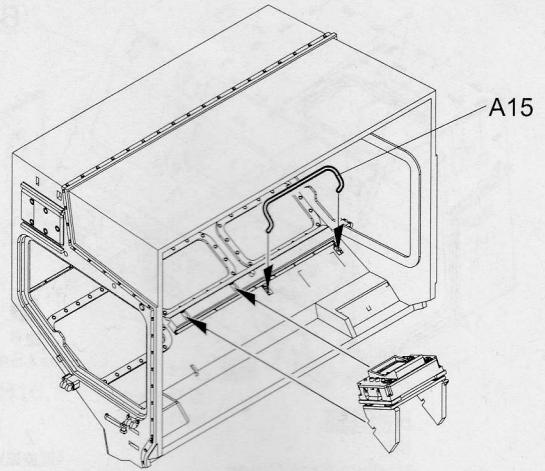
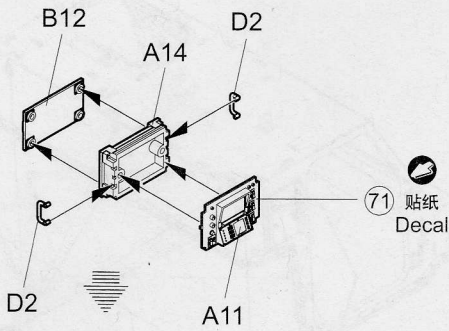
70 贴纸
Decal

67 贴纸
Decal

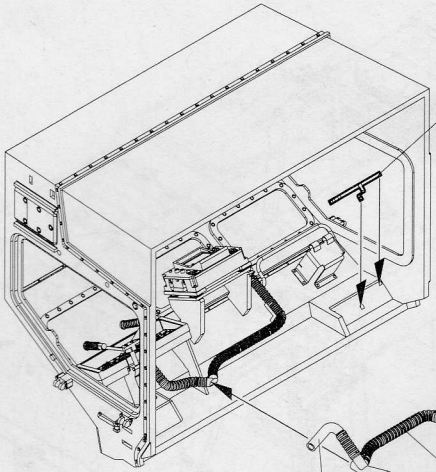
A53



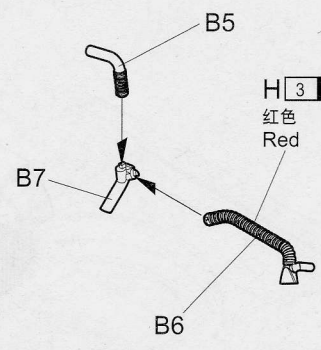
14



弯曲
PE17 Bend

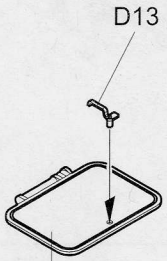


PE19



H33
红色
Red

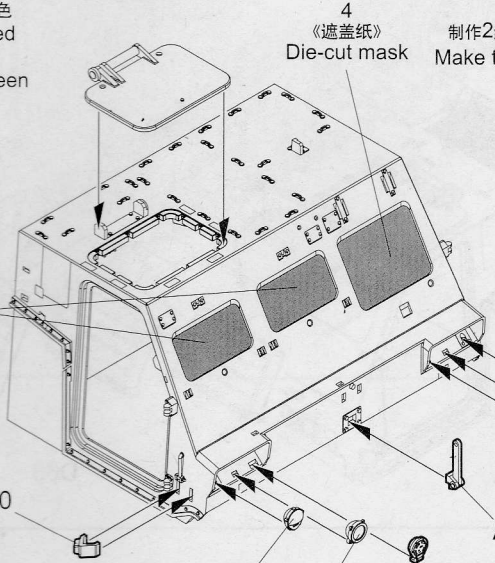
H312312
绿色
Medium Grey Green



D13

B23

1
《遮盖纸》
Die-cut mask



4
《遮盖纸》
Die-cut mask
制作2组
Make two

D25

《A-A》

GP6

《B-B》

《A-A》

A17

A43

《B-B》

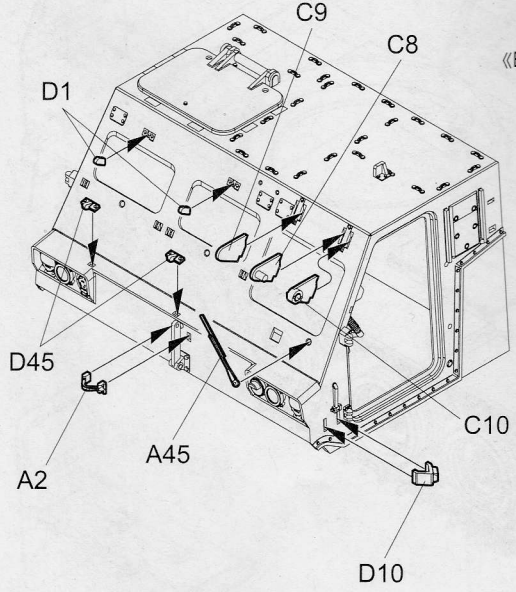
A16

D27

《B-B》

GP1

制作2组
Make two



D1

C9

C8

D45

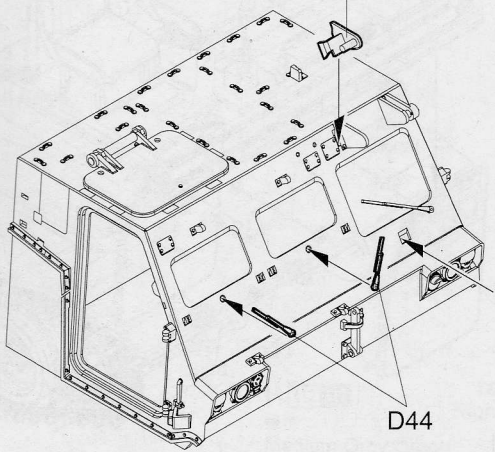
A2

A45

C10

D10

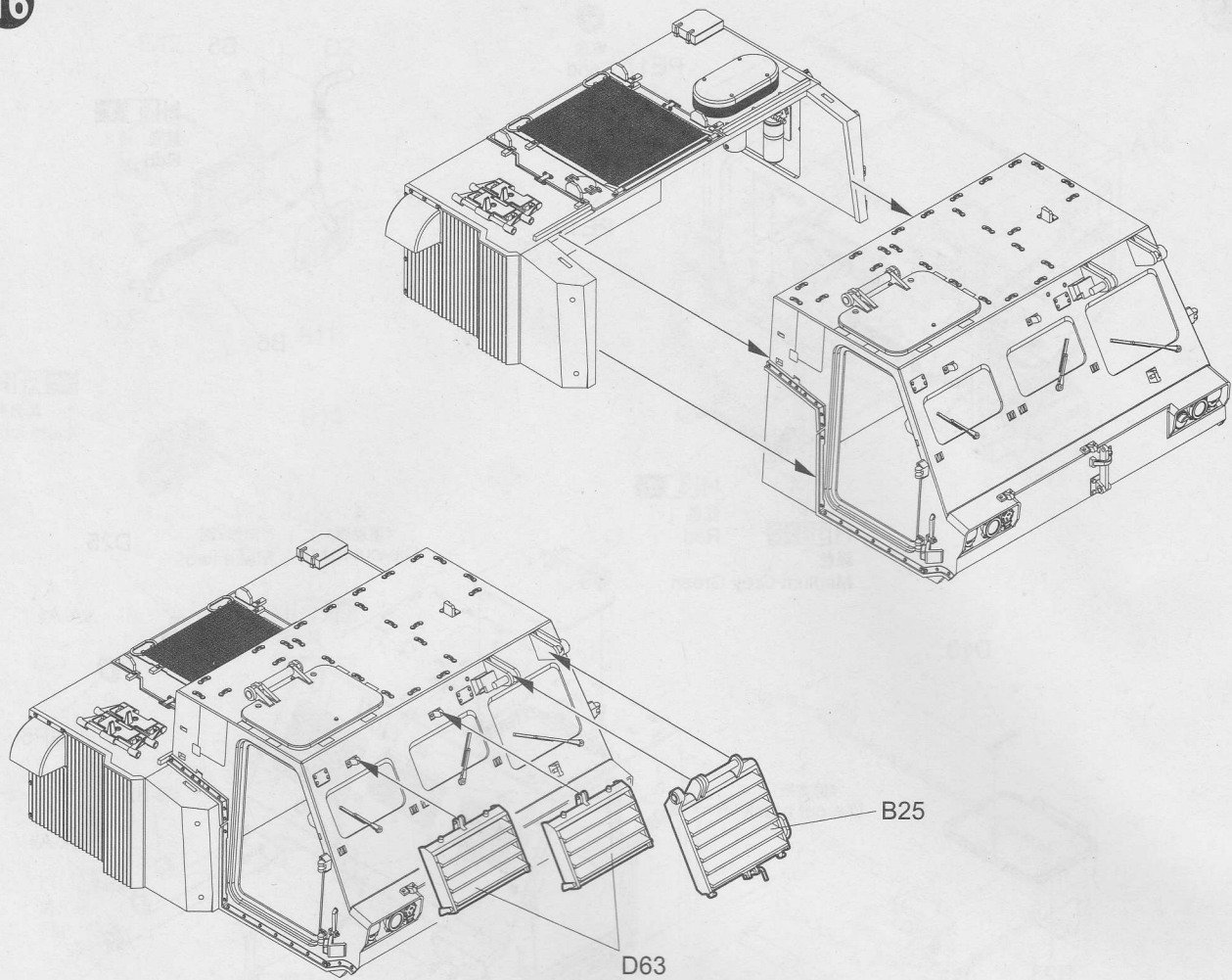
A50



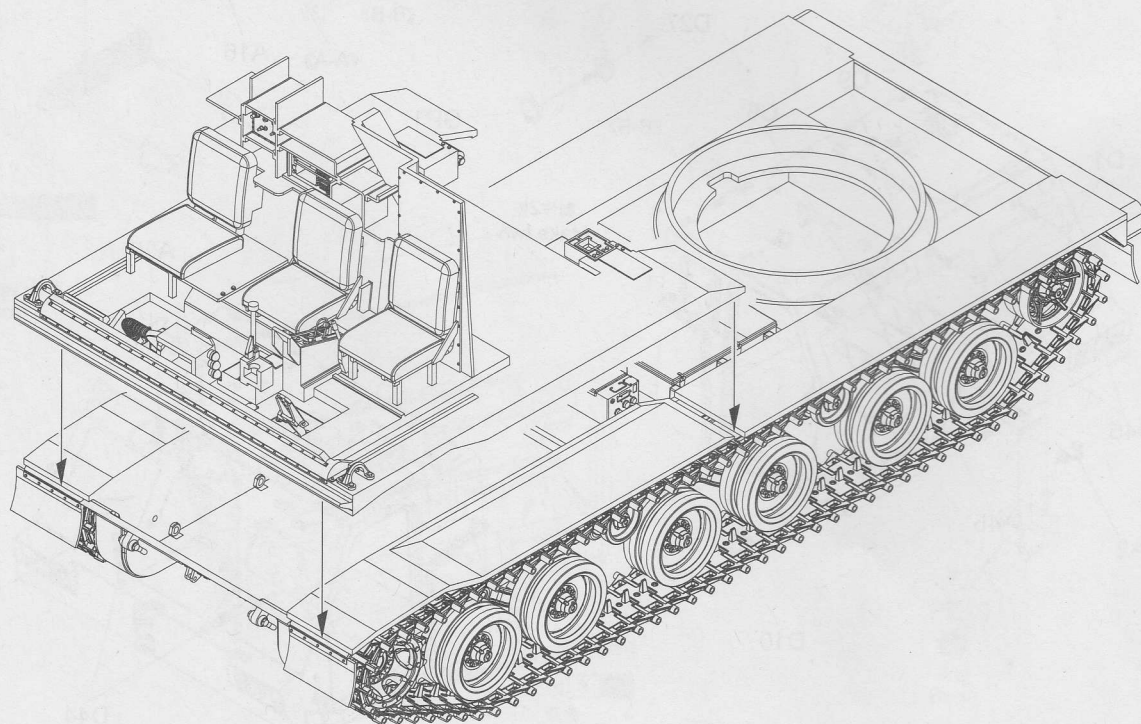
A3

D44

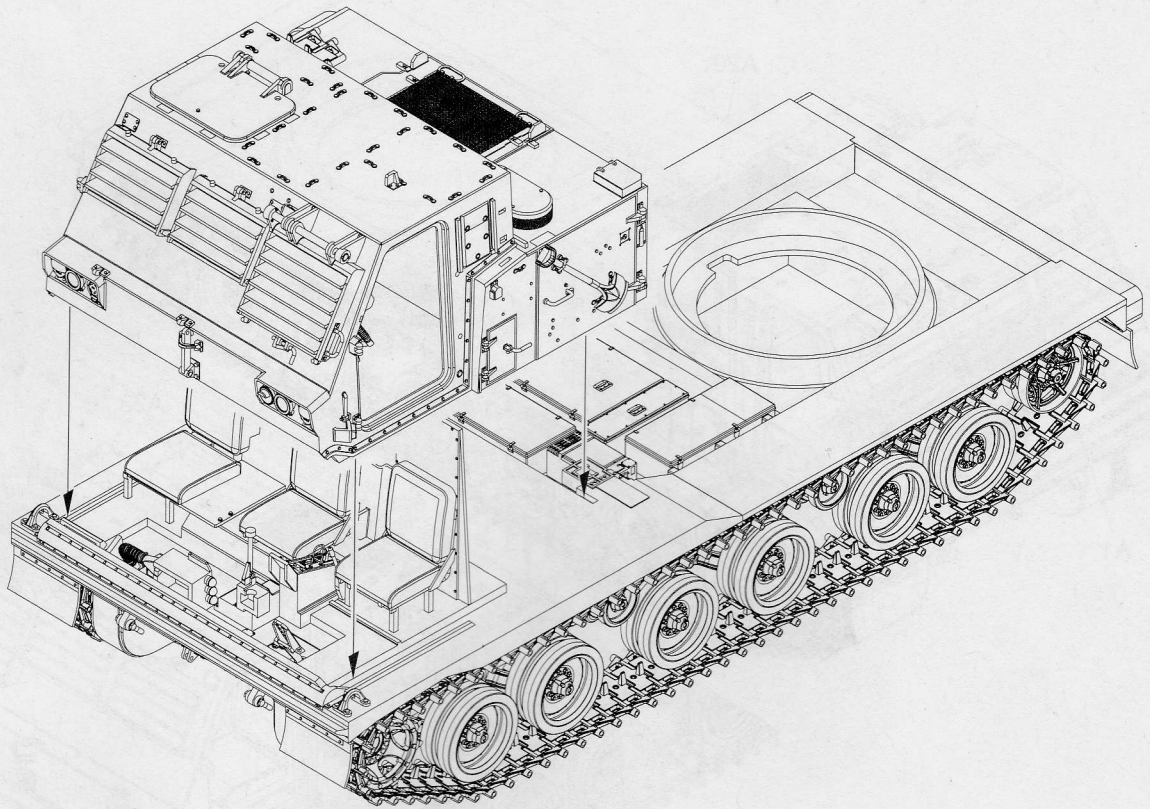
16



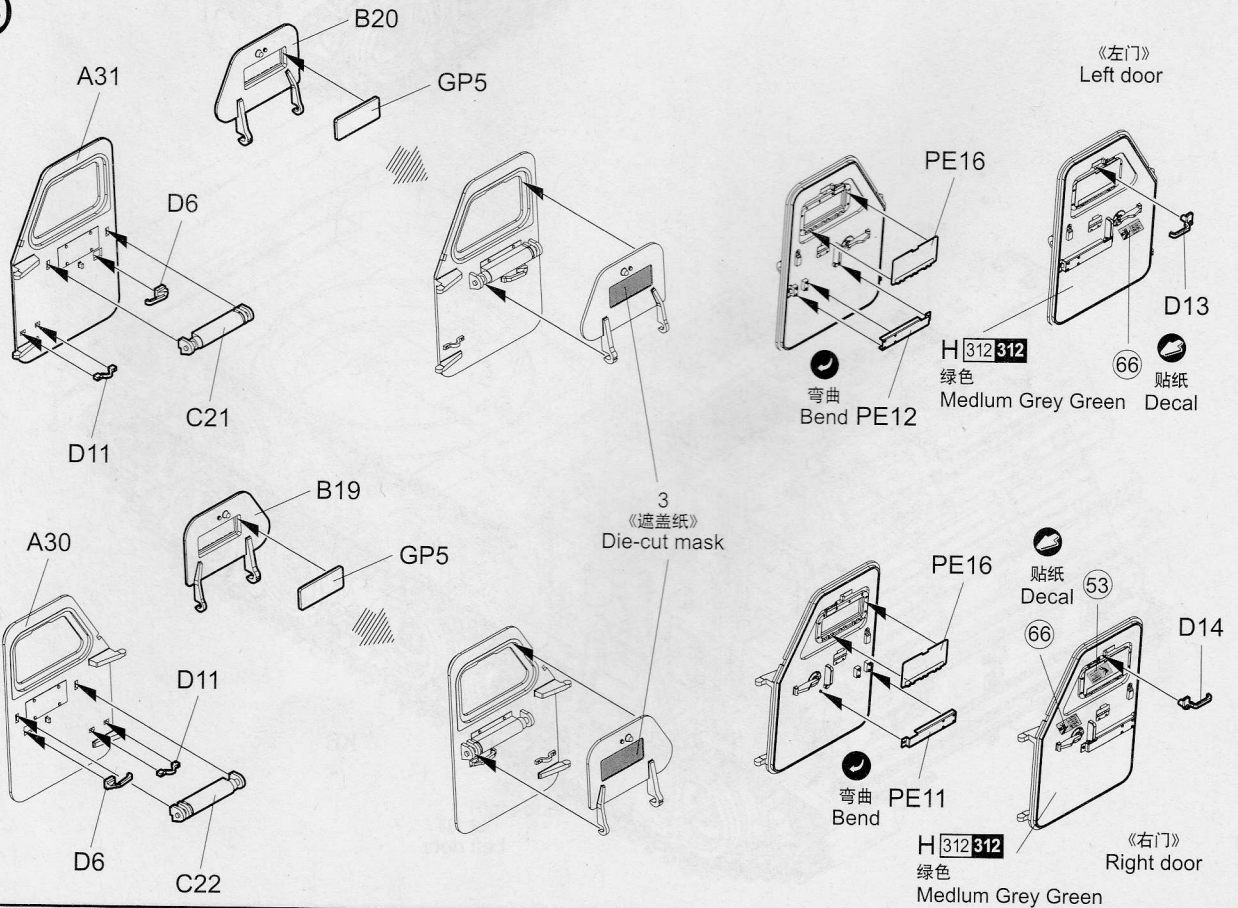
17

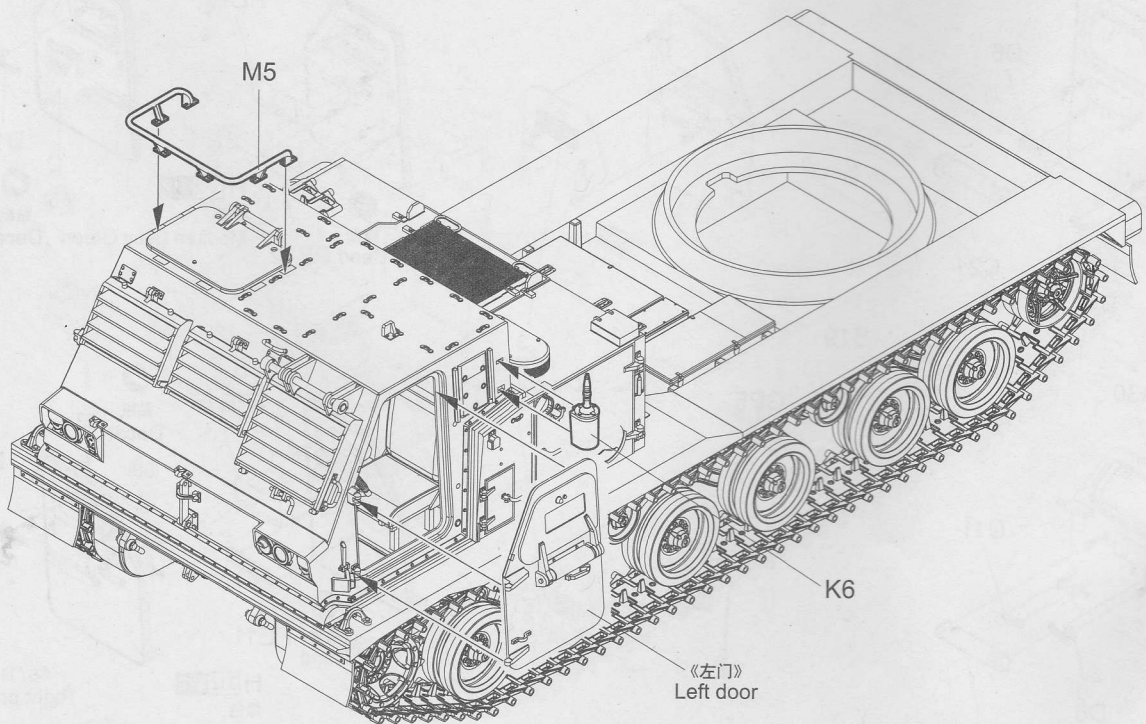
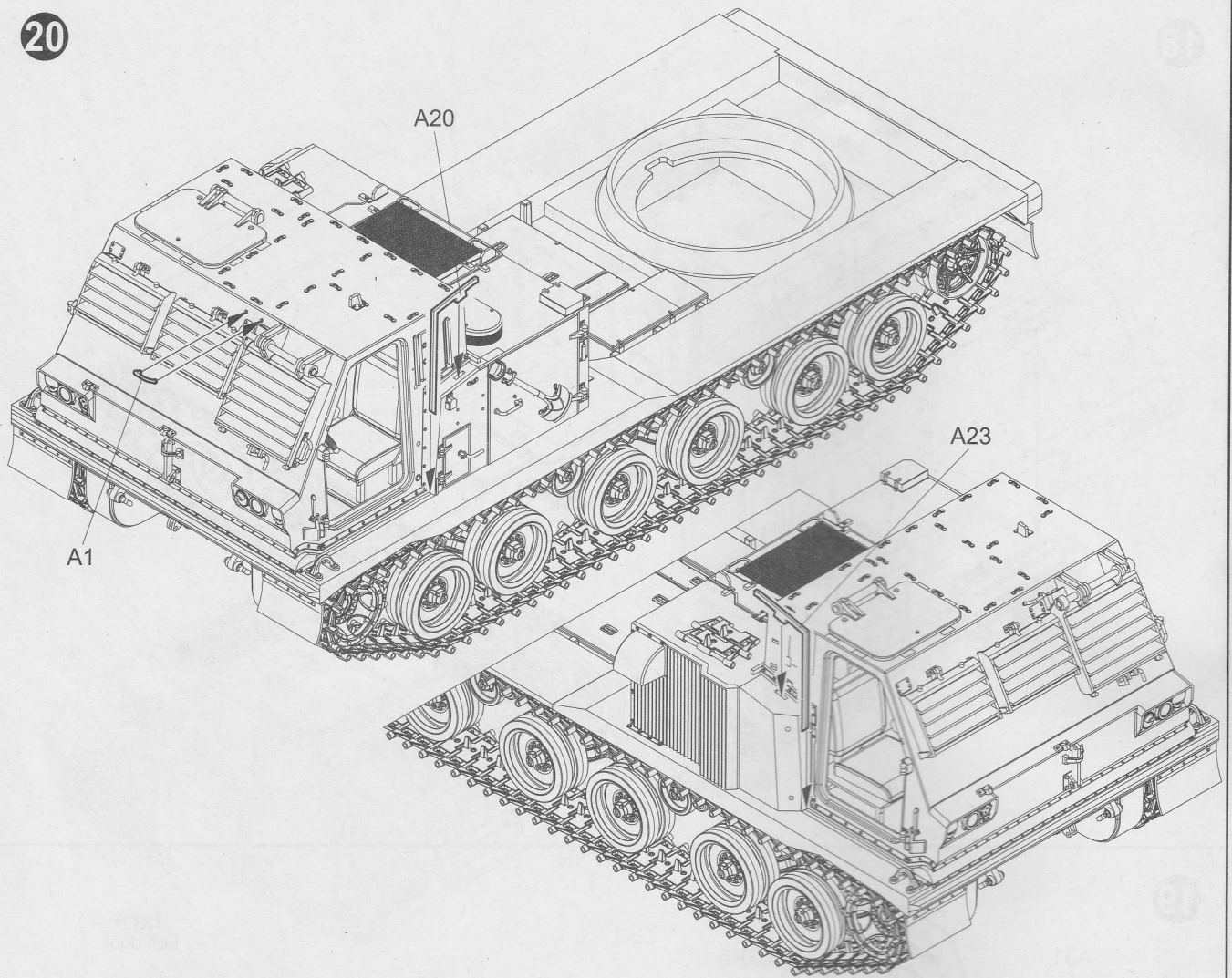


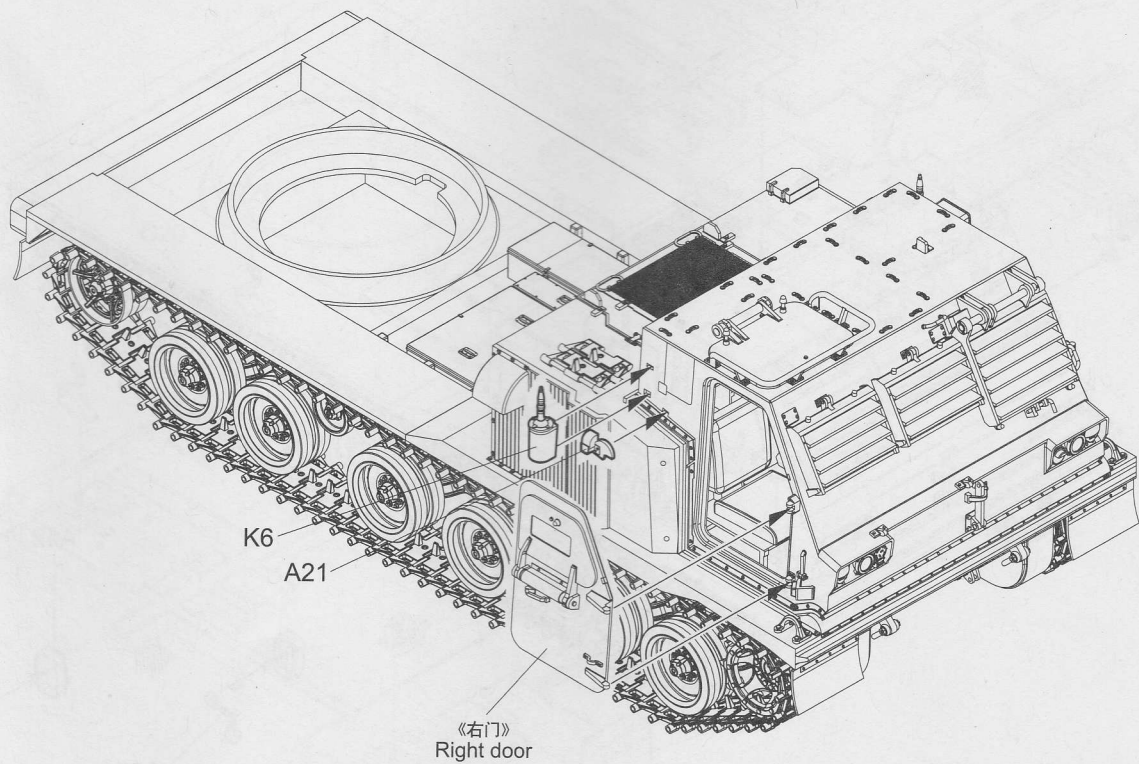
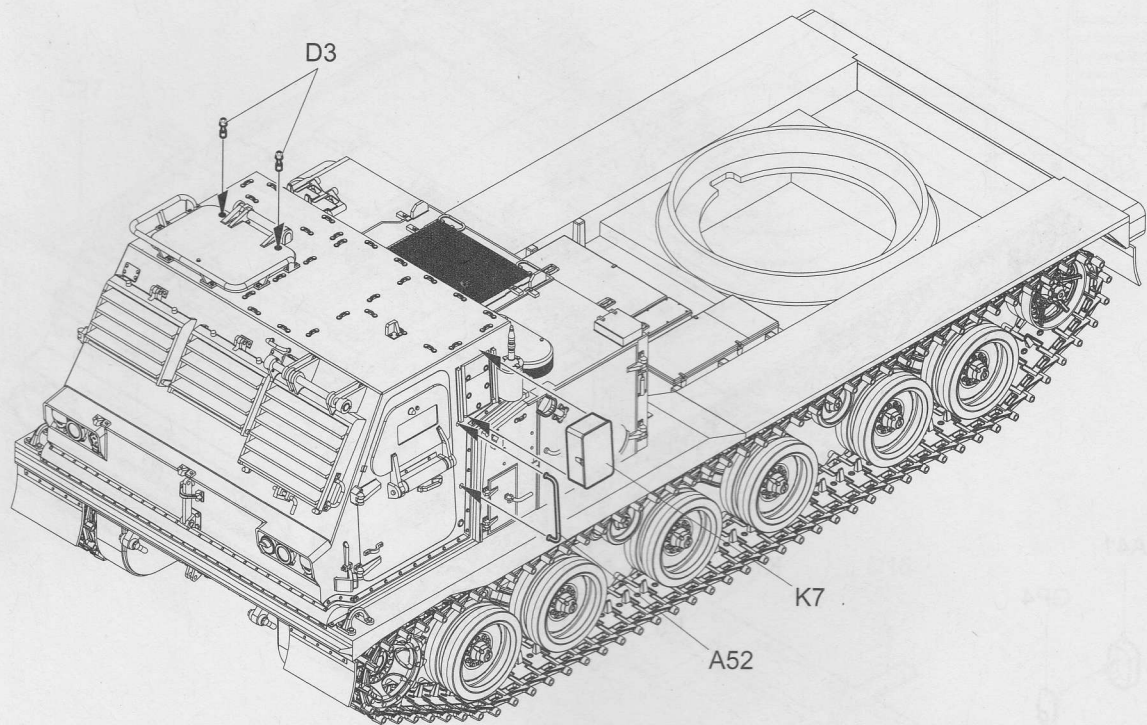
18



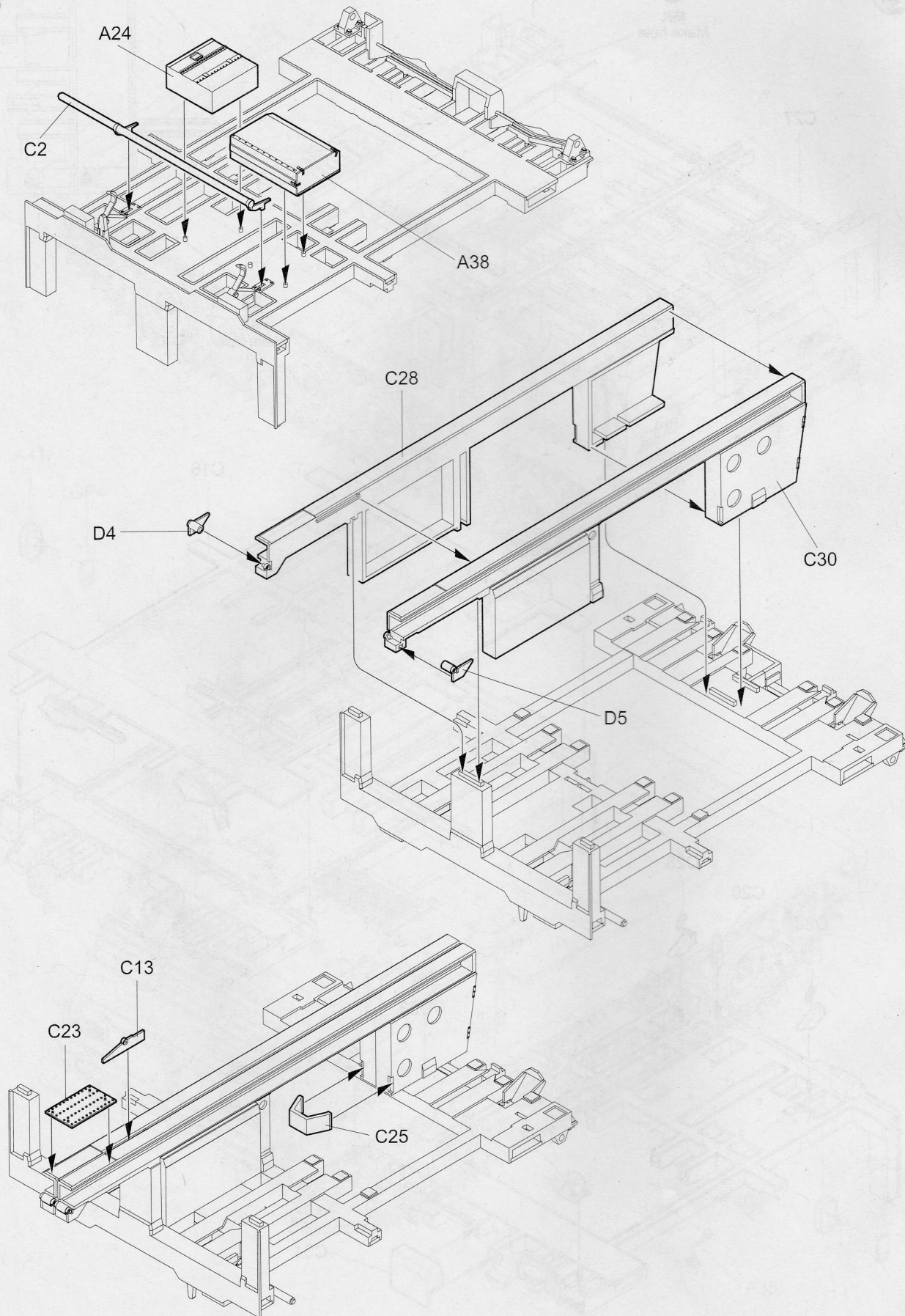
19



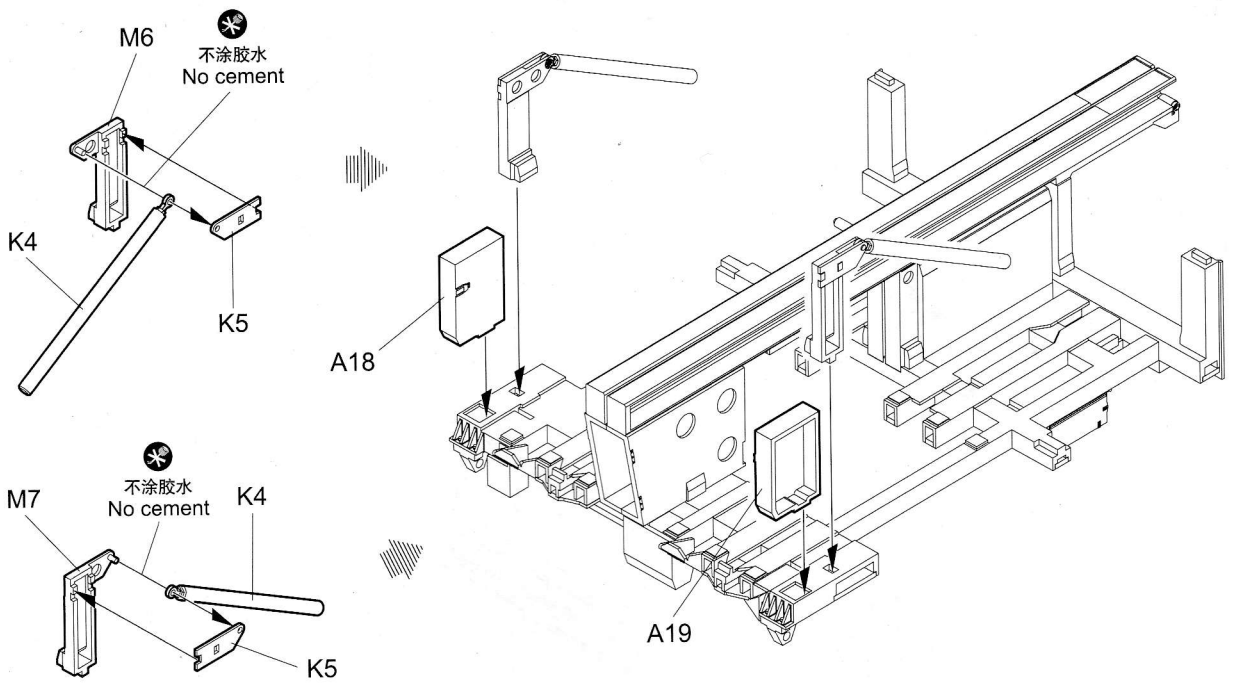




24

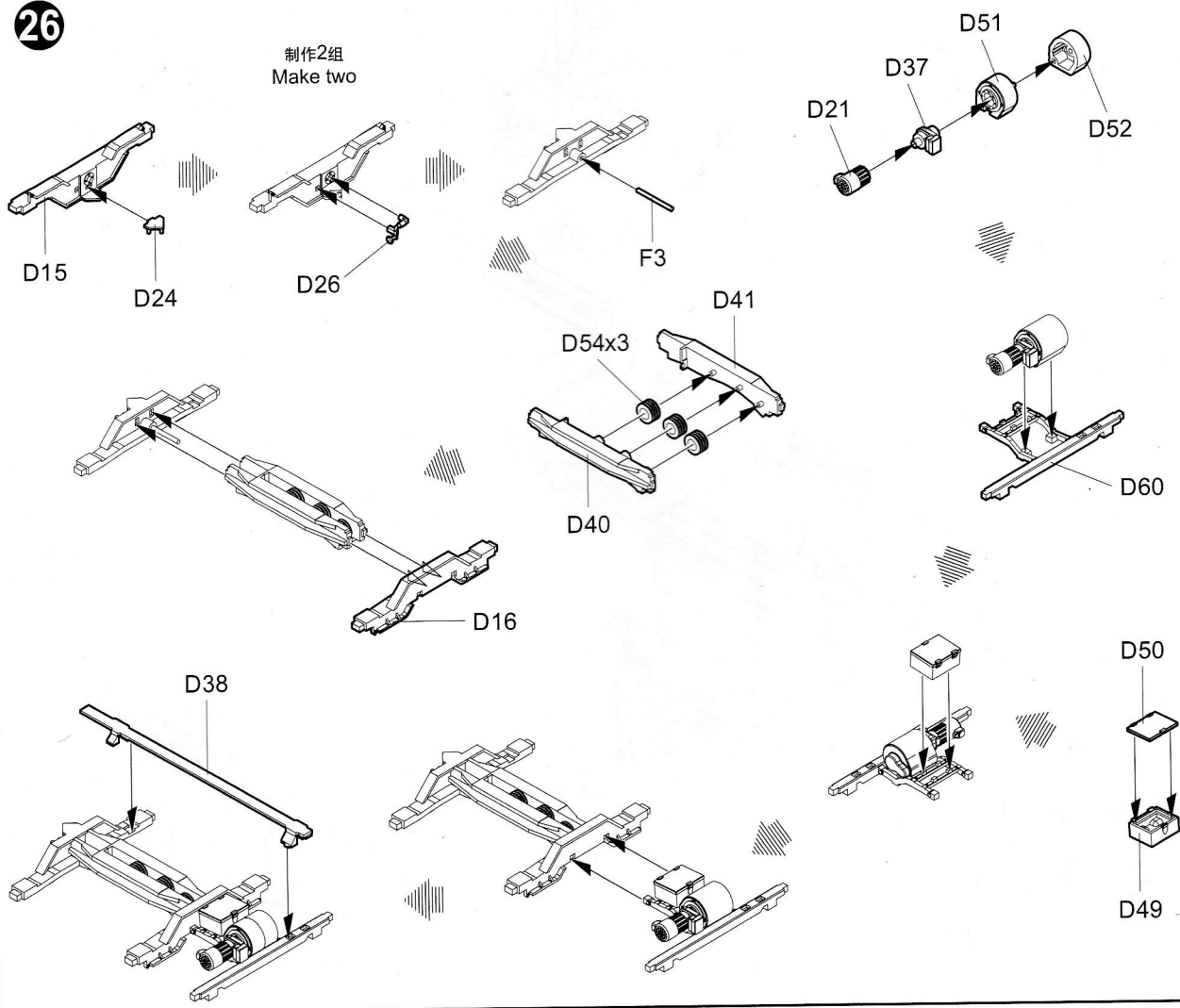


25



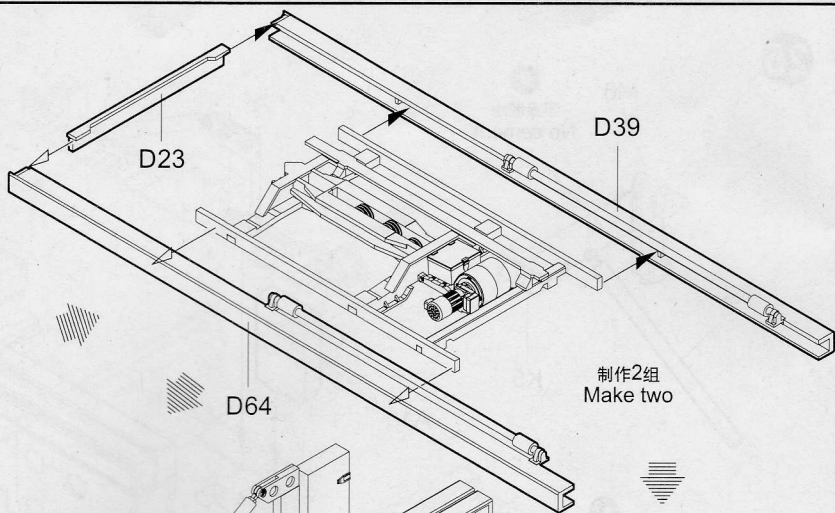
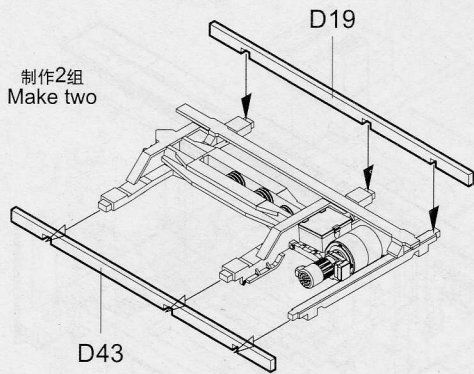
26

制作2组
Make two



27

制作2组
Make two



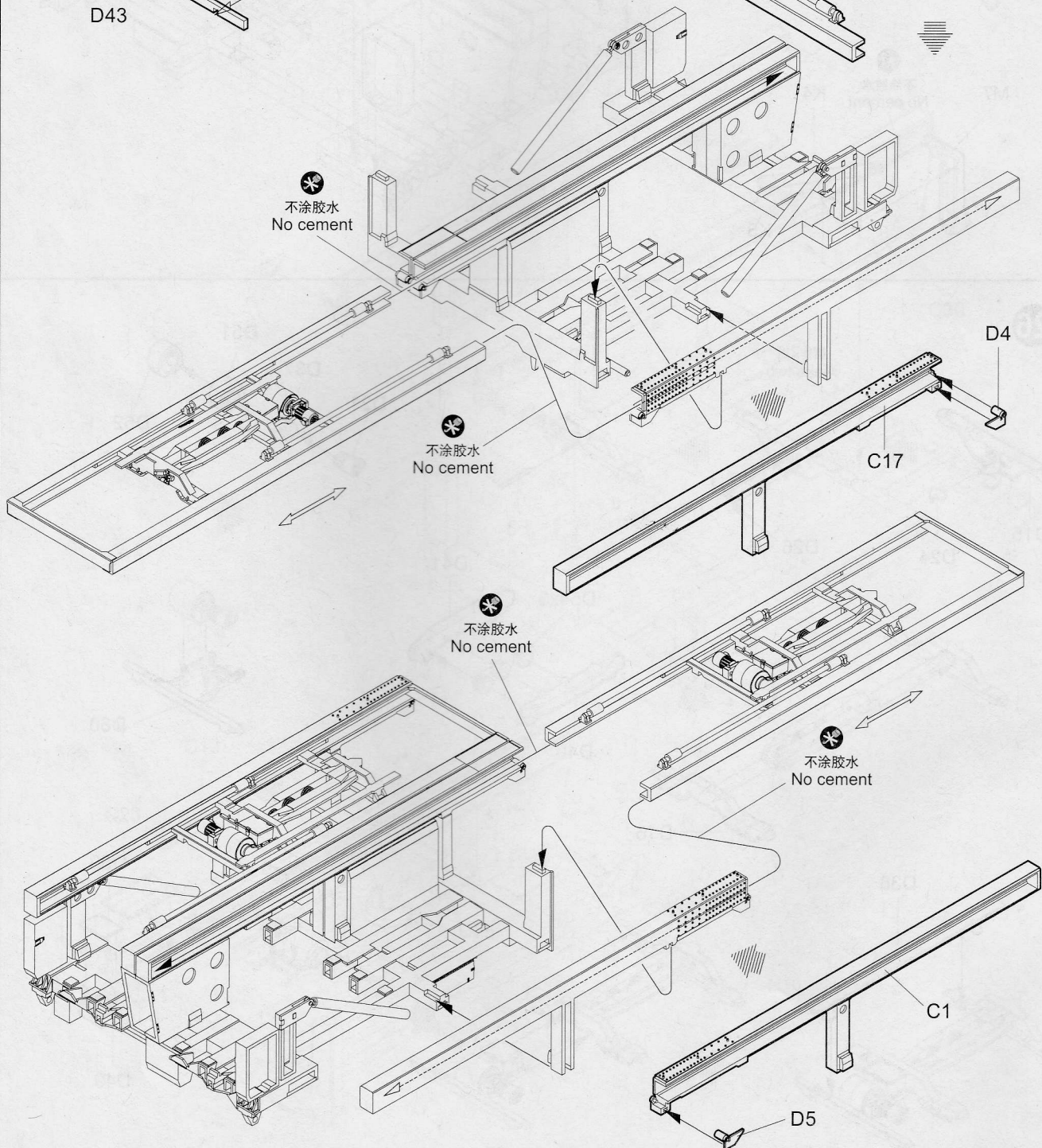
制作2组
Make two

不涂胶水
No cement

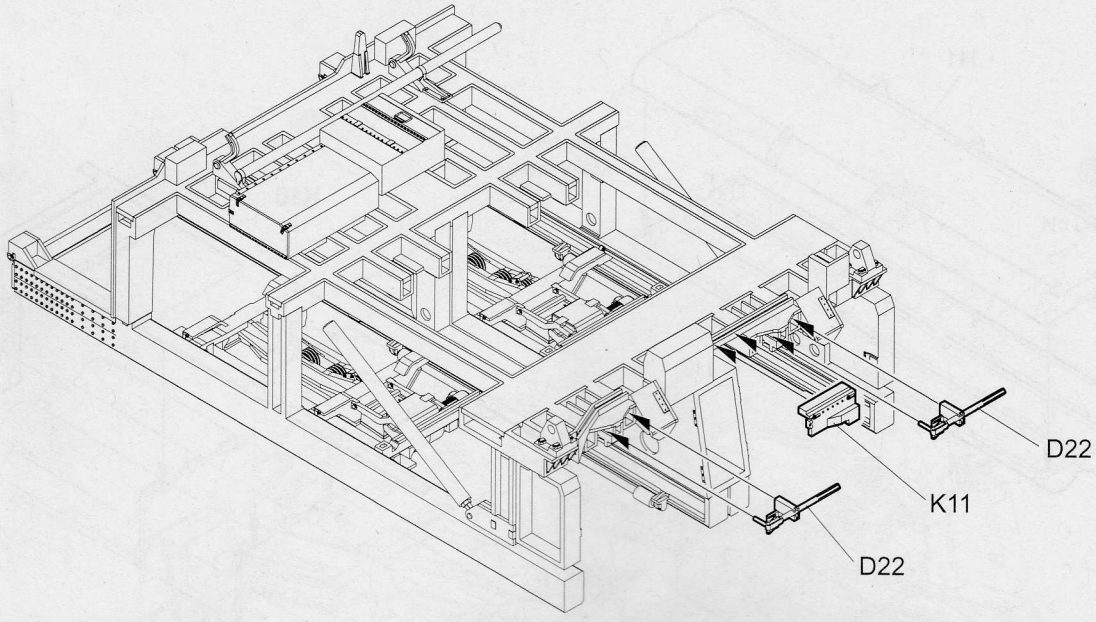
不涂胶水
No cement

不涂胶水
No cement

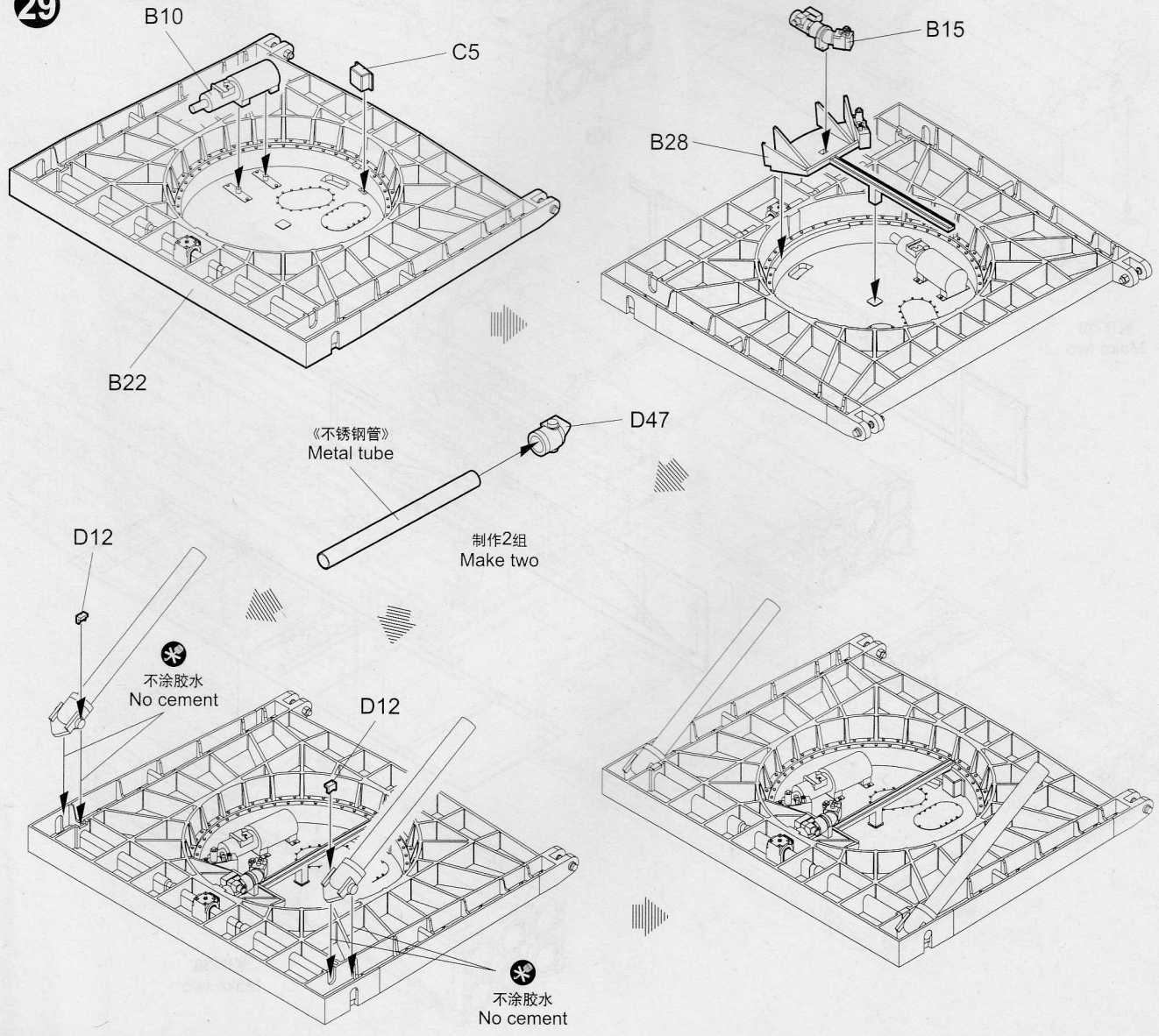
不涂胶水
No cement



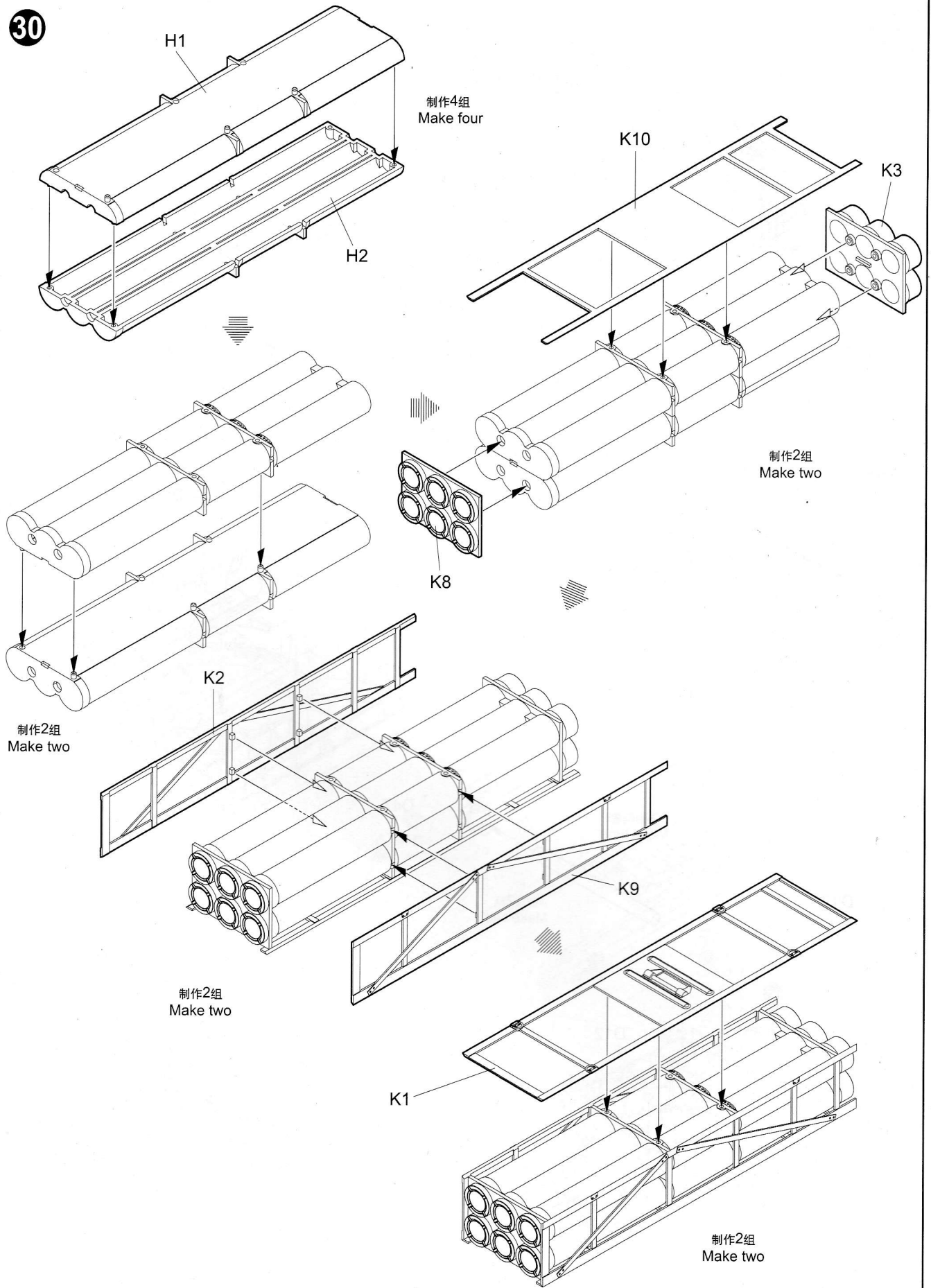
28



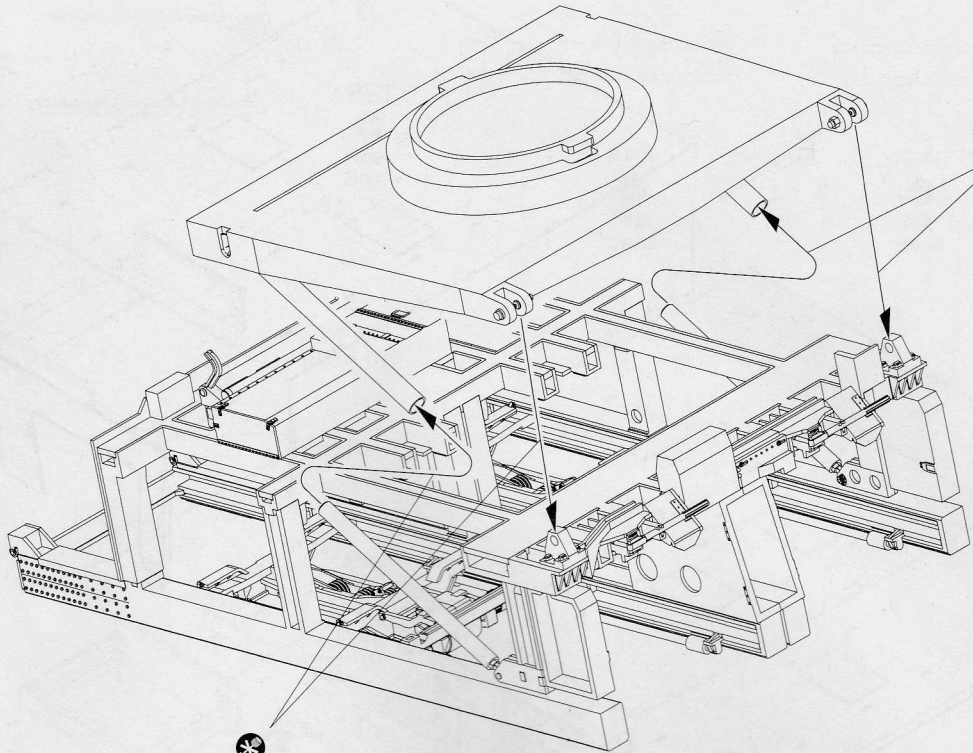
29



30

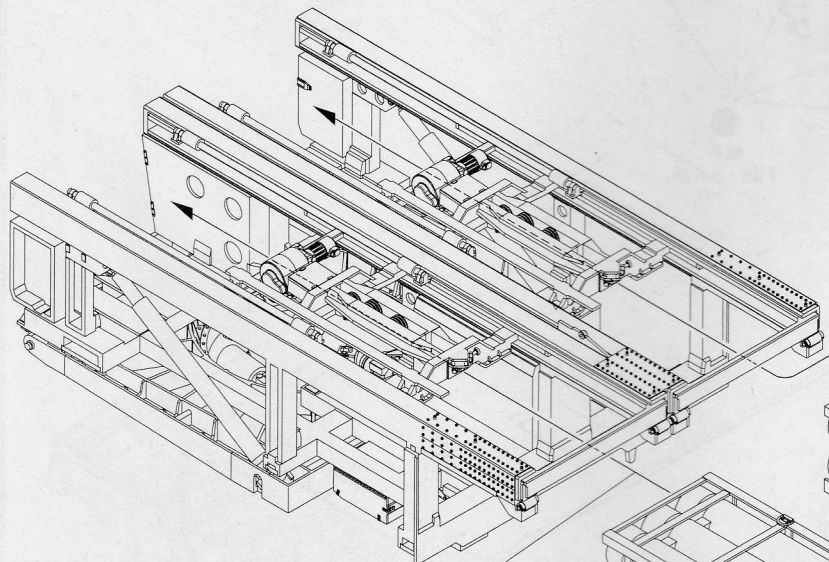


31



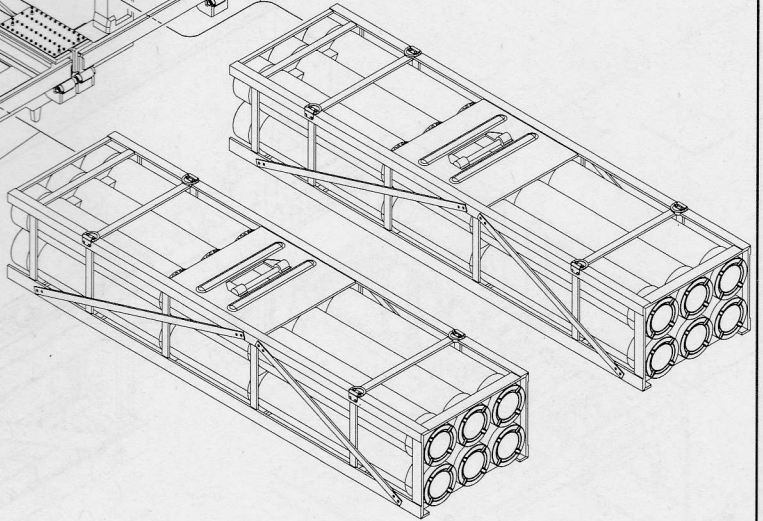
不涂胶水
No cement

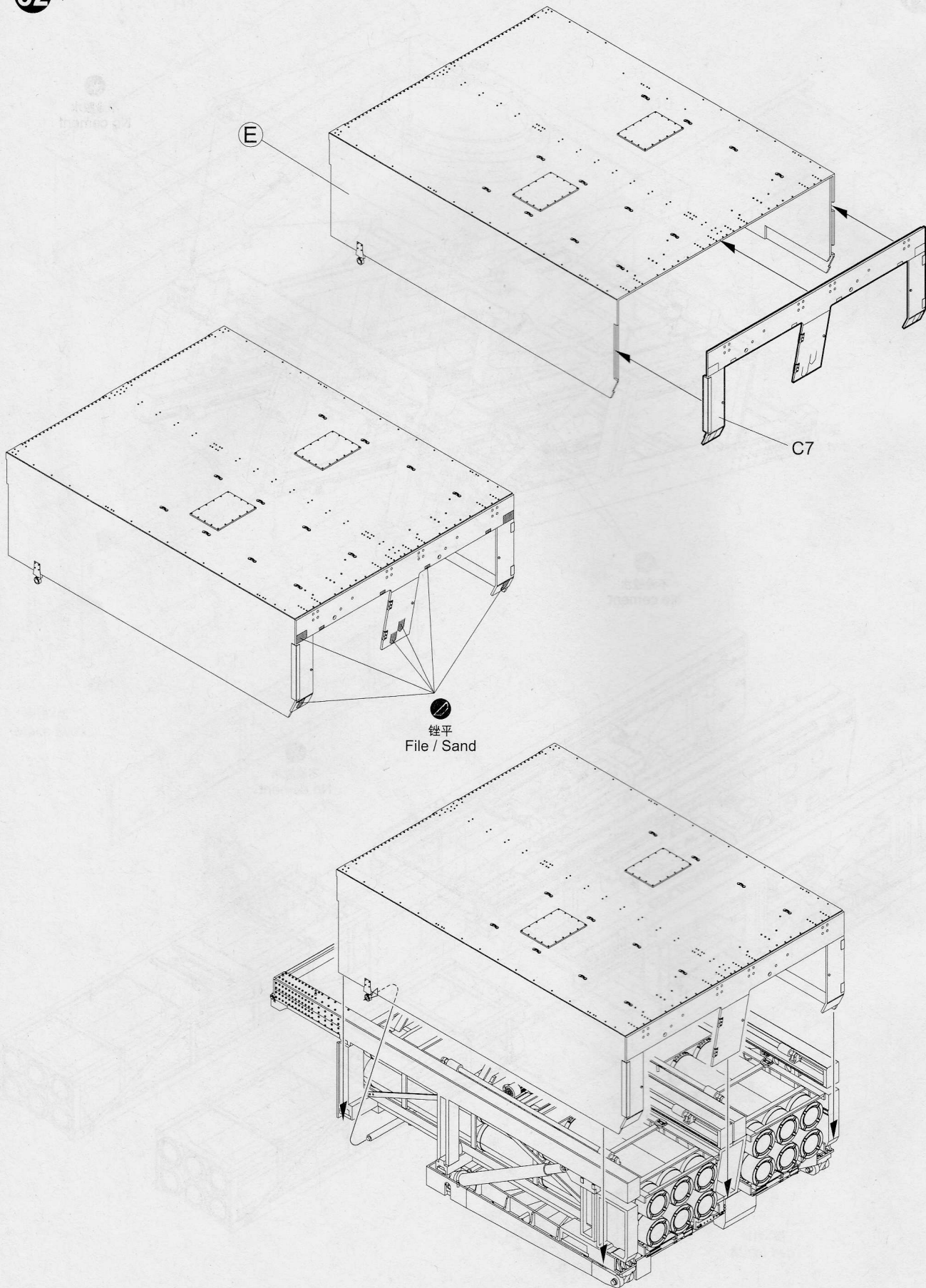
不涂胶水
No cement



不涂胶水
No cement

不涂胶水
No cement

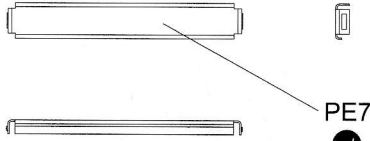




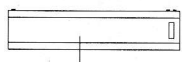
33

制作2组
Make two

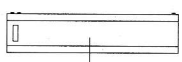
制作2组
Make two



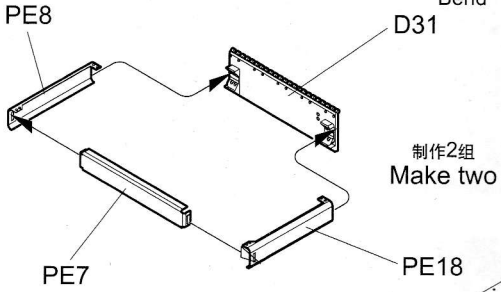
PE7
弯曲
Bend



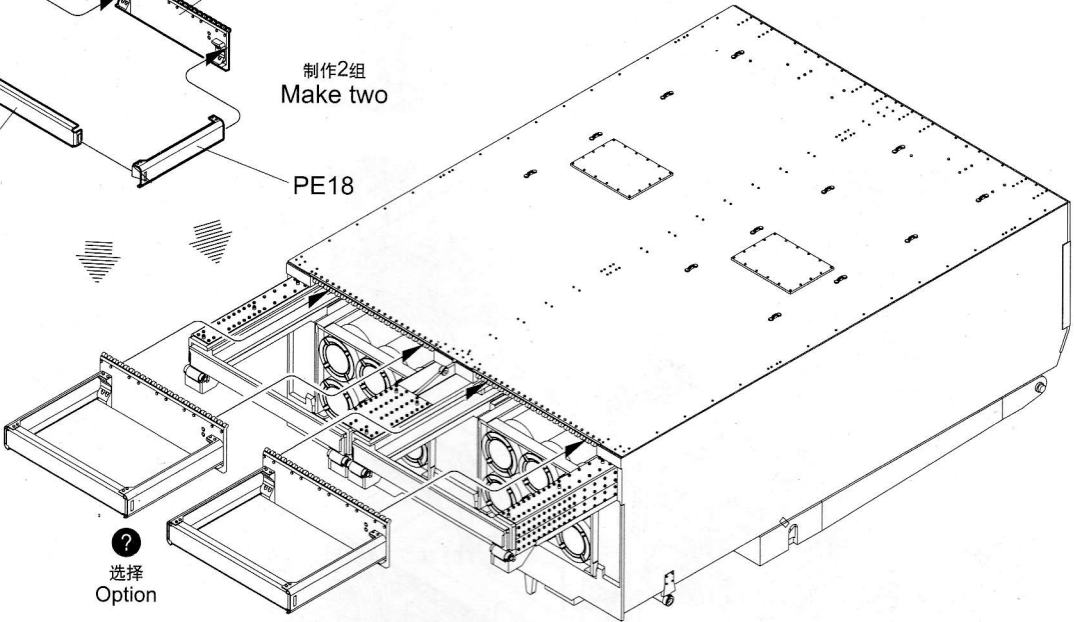
PE8
弯曲
Bend



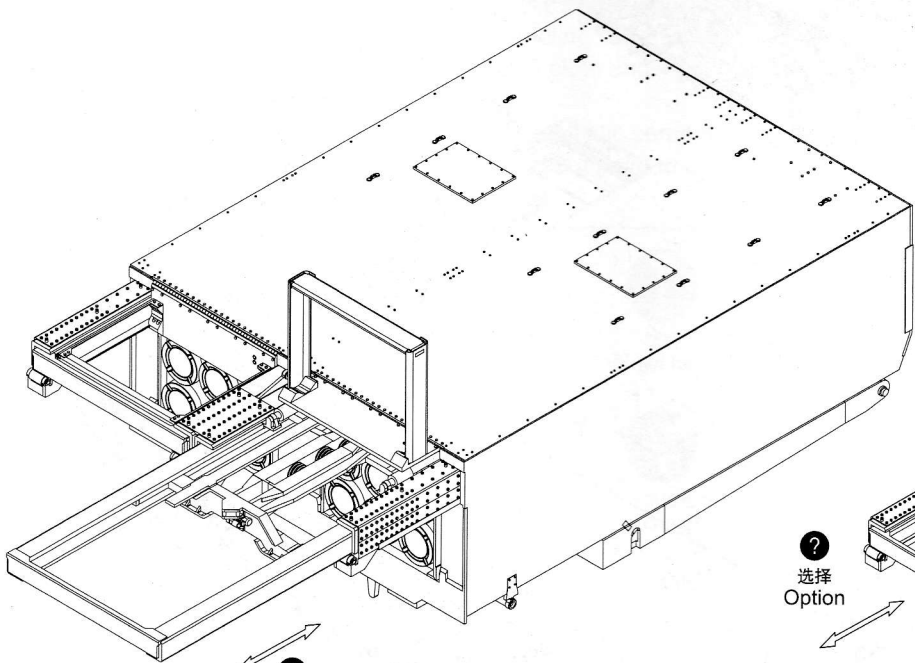
PE18
弯曲
Bend



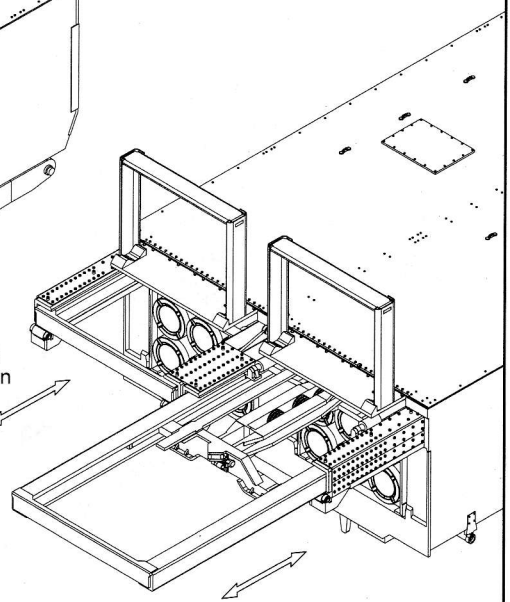
制作2组
Make two



?
选择
Option

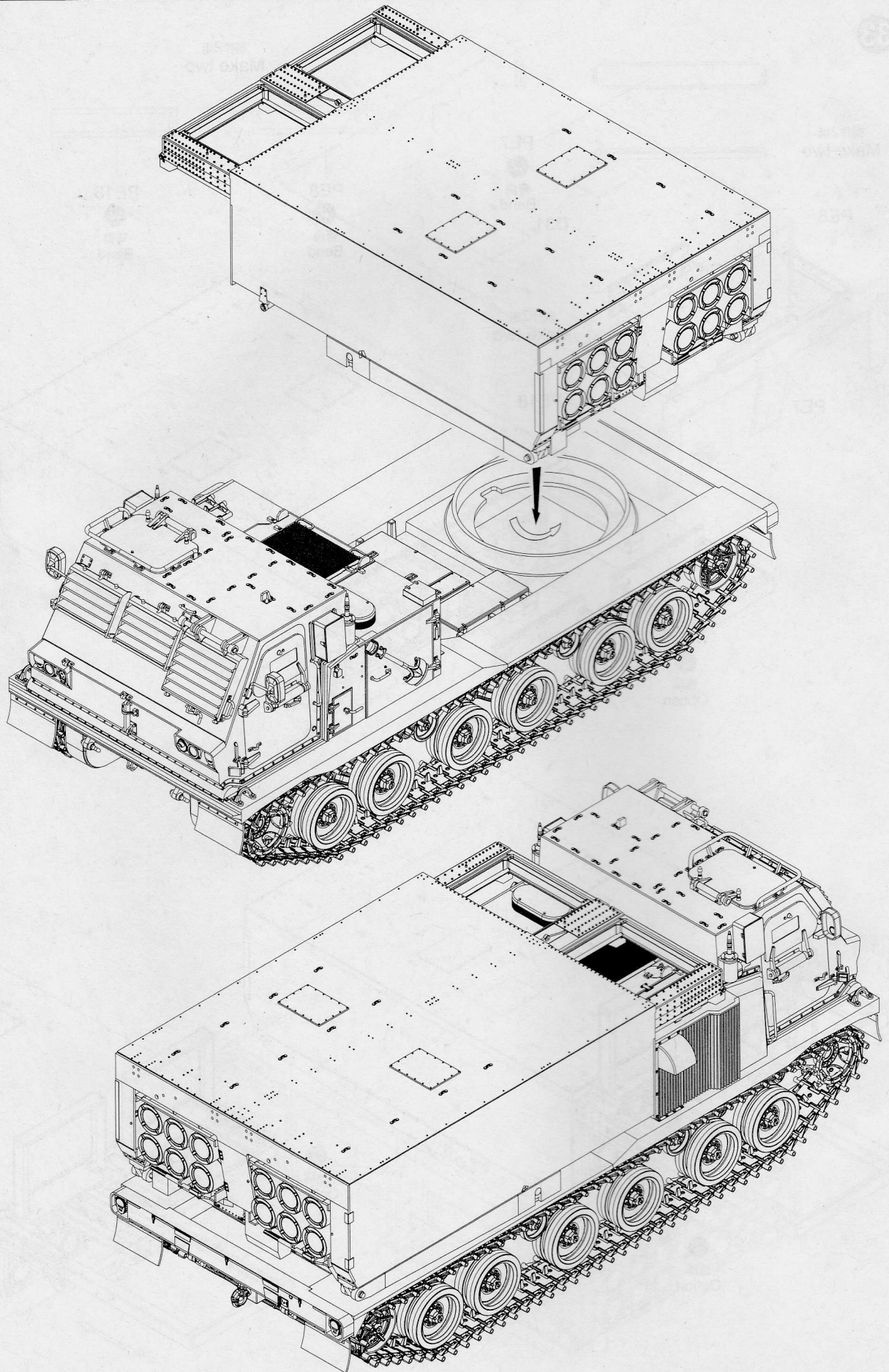


?
选择
Option



?
选择
Option

34



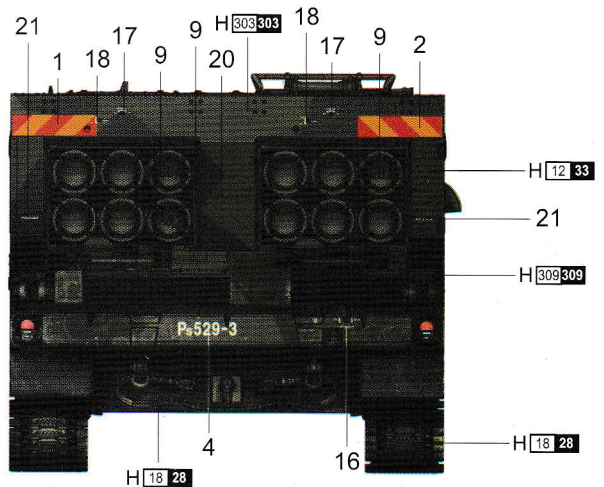
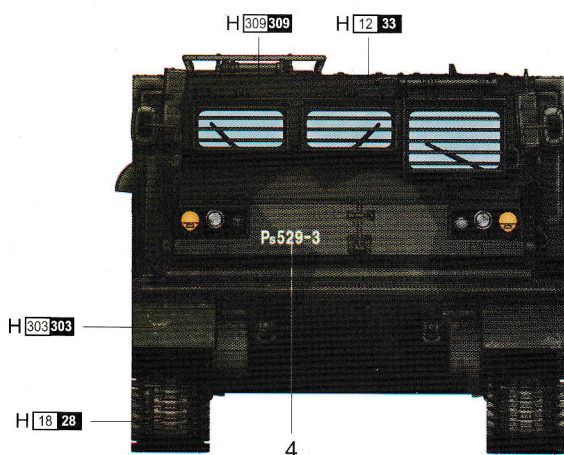
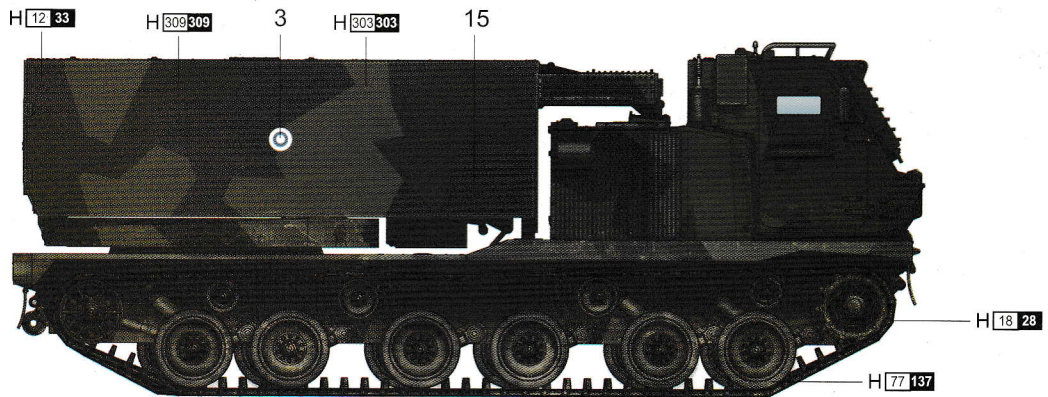
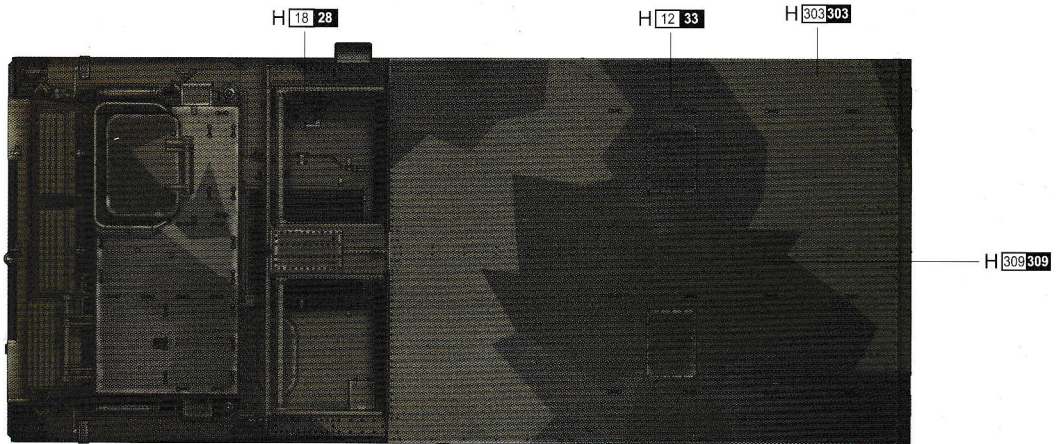
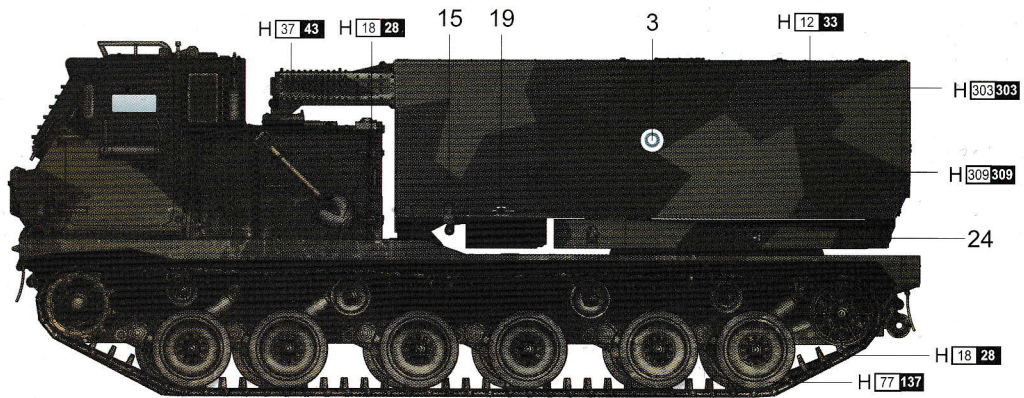
涂装同标贴指示

Painting & Marking guide

PAINT REFERENCE COLOUR

Color	Mr.Hobby	Vallejo	Model Master	Tamiya	Humbrol
Tire Black 胎黑色	H 77 137	—	—	—	—
Steel 钢铁色	H 18 28	864	1402	—	—
Light Green 绿色	H 303 303	—	1713	XF20	117

A



H X AQUEOUS HOBBY COLOUR

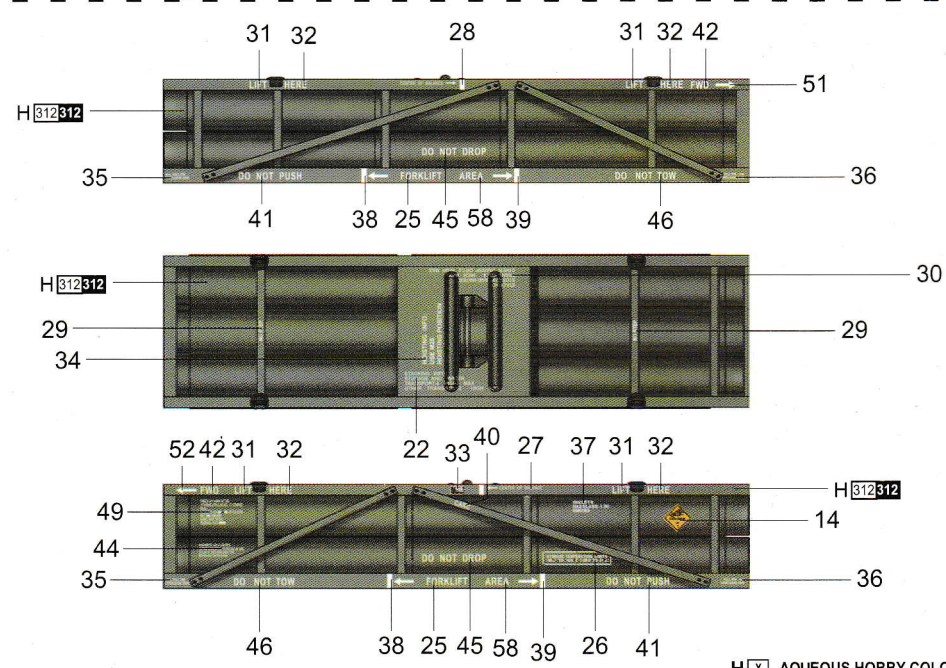
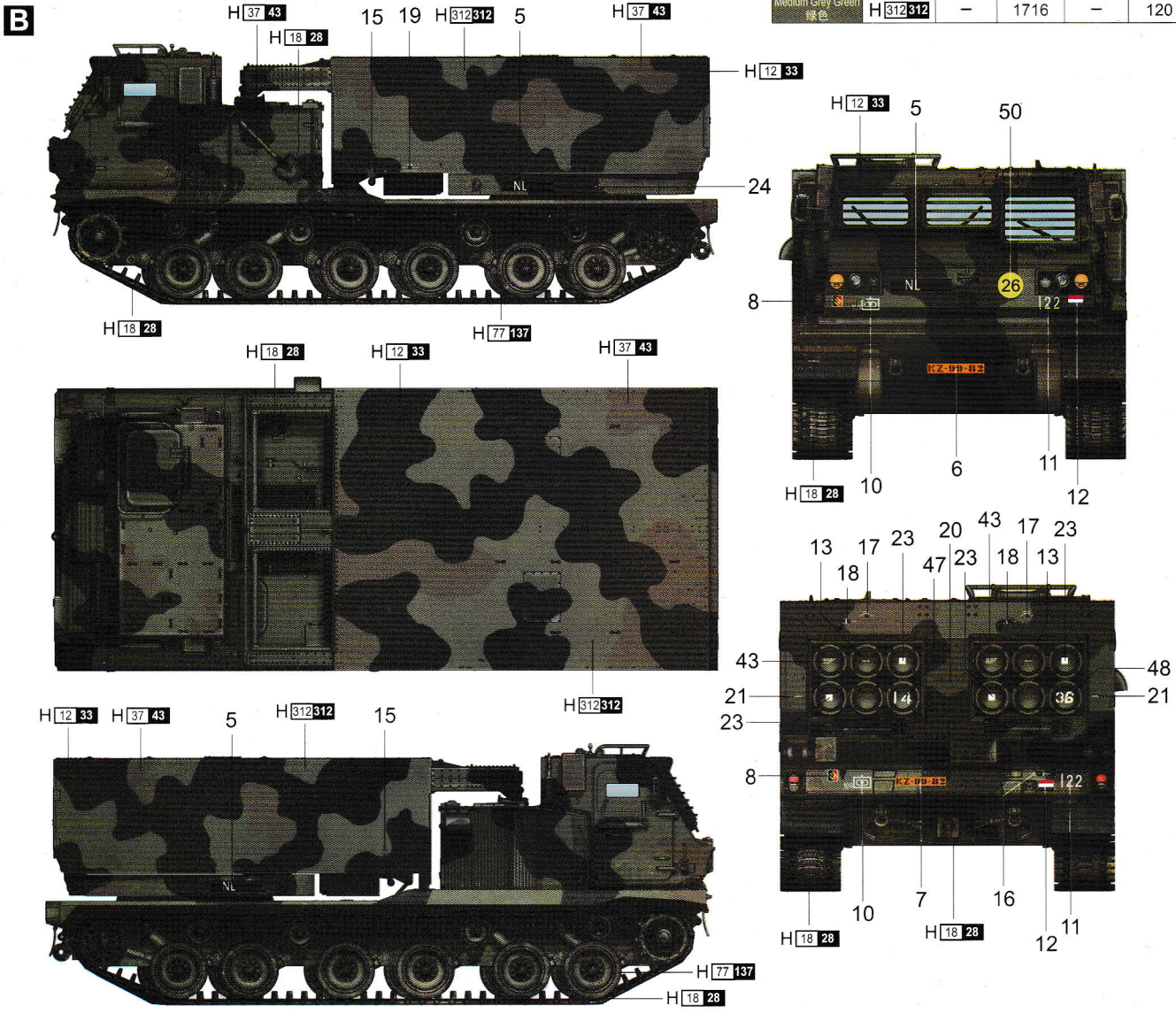
X MR COLOUR

涂装同标贴指示

Painting & Marking guide

PAINT REFERENCE COLOUR

Color	Mr.Hobby	Vallejo	Model Master	Tamiya	Humbrol
Flat Black 消光黑	H 12 33	950	1749	XF1	33
Forest Green 绿色	H 309 309	893	1710	XF58	116
Wood Brown 木棕色	H 37 43	983	1701	-	186
Medium Grey Green 绿色	H 312 312	-	1716	-	120



H [X] AQUEOUS HOBBY COLOUR X MR COLOUR