

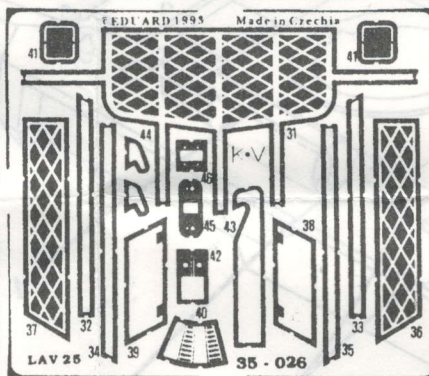
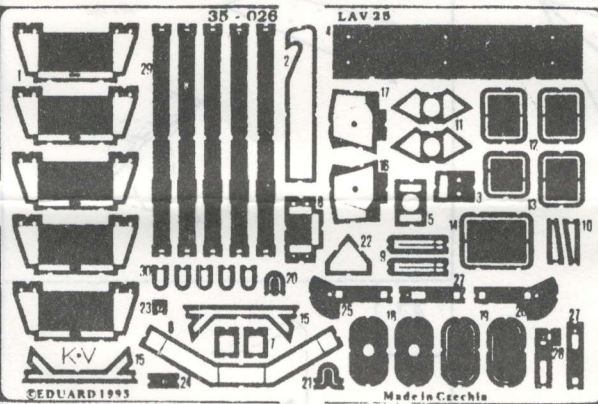
35 026



LAV-25 PIRANHA

1/35 scale detail set

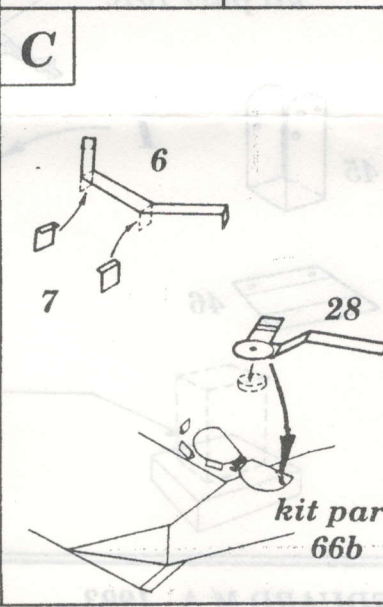
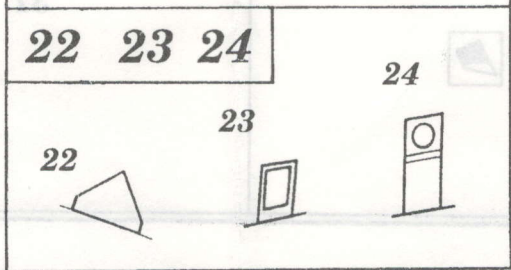
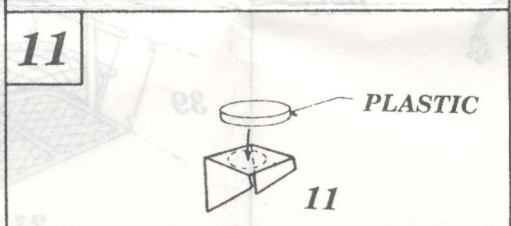
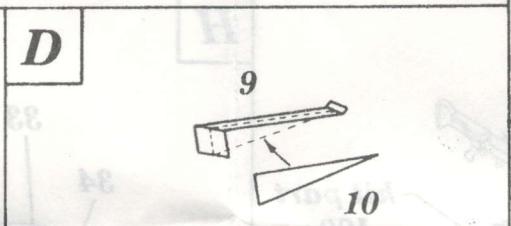
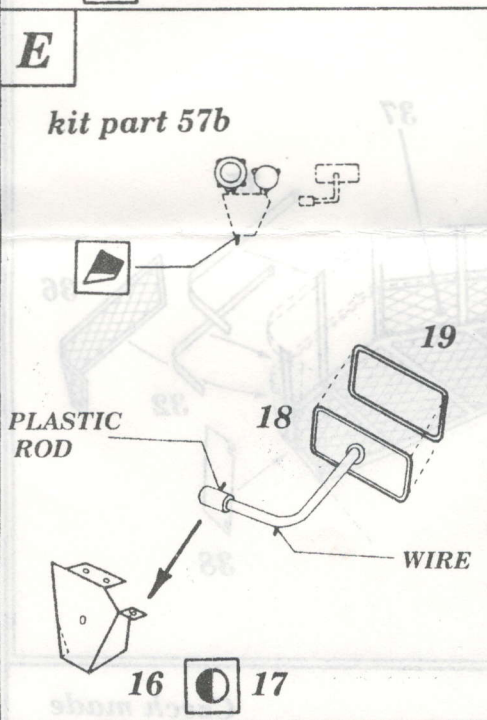
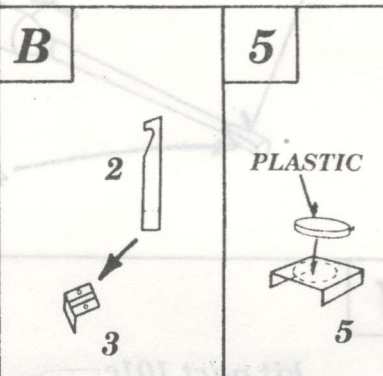
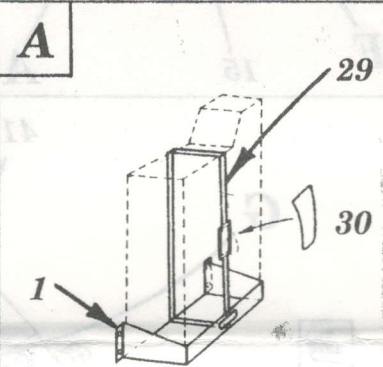
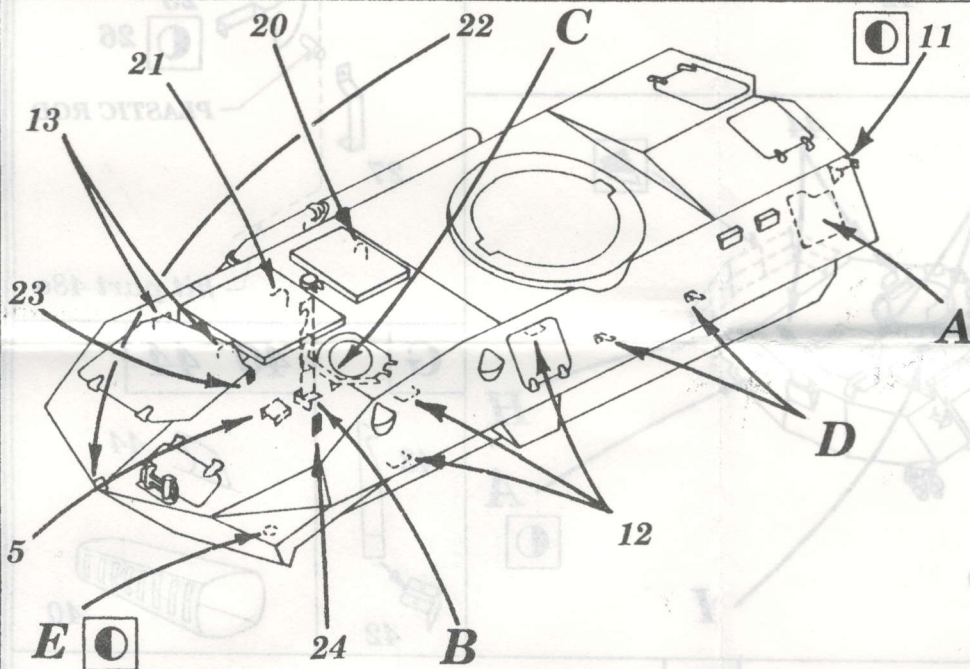
Recommended kit: Italeri

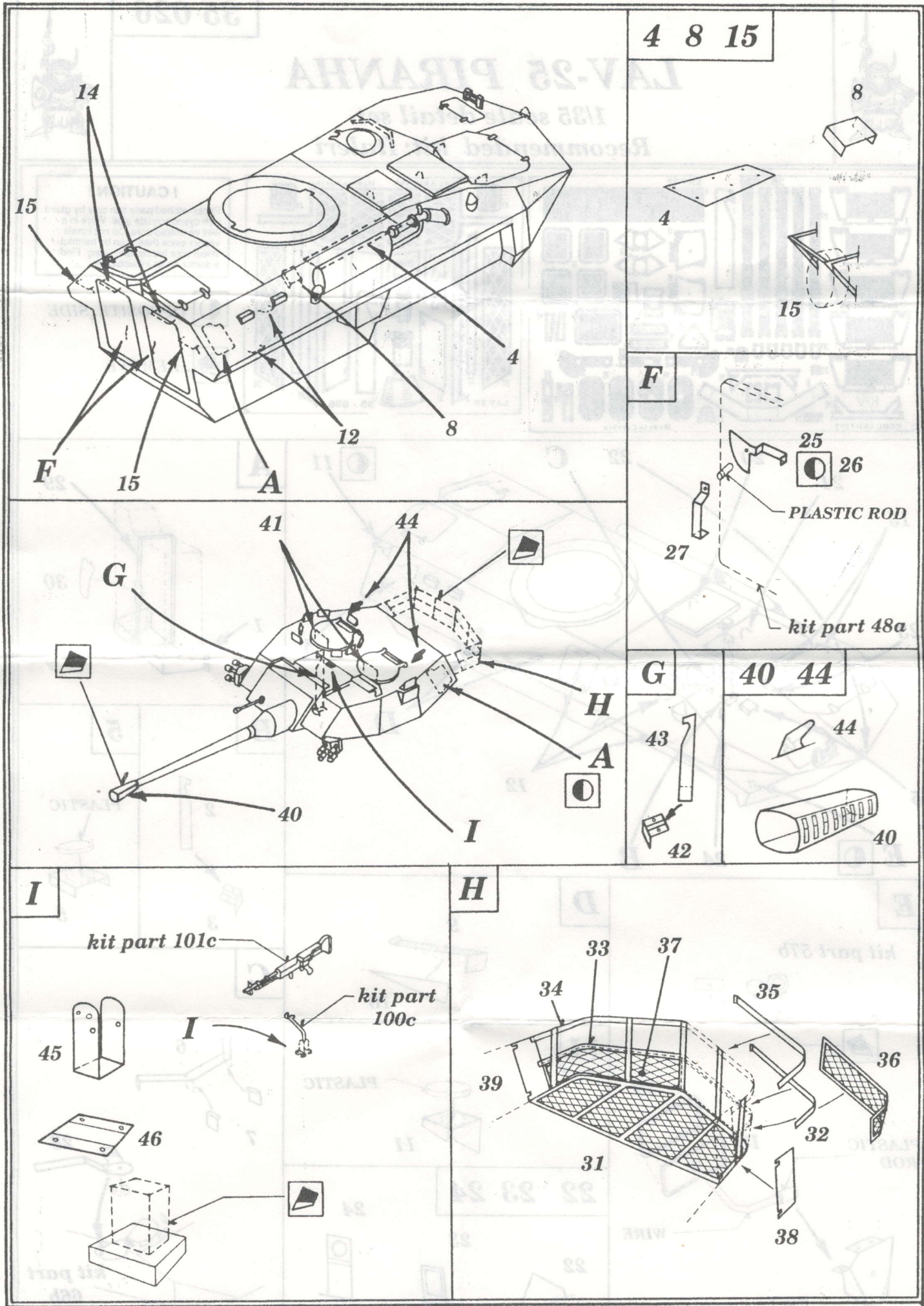


! CAUTION !
Photo-etched parts can only be glued with cyanoacrylate glue. Work in a well ventilated area. Do not inhale vapors since these can be harmful. Wash your hands after using. Find a doctor on an indisposition.

OPPOSITE SIDE

REMOVE





4 8 15

F

G

14

15

F

15

A

12

8

4

8

4

15

25

26

PLASTIC ROD

27

kit part 48a

41

44

G

H

A

I

40

40

44

43

44

42

40

I

kit part 101c

kit part 100c

45

I

46

H

33

37

39

34

35

36

31

32

38