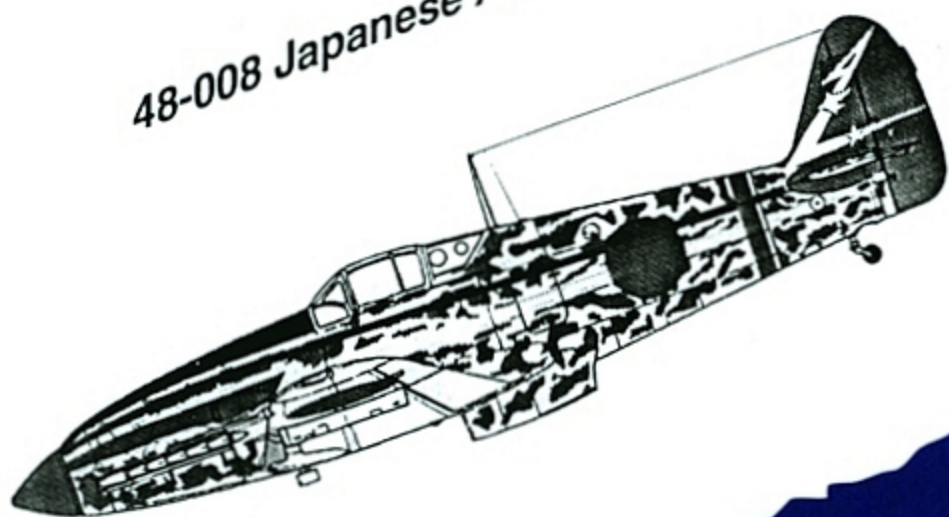


# AeroMaster™

48-008 Japanese Army A.F. Fighters

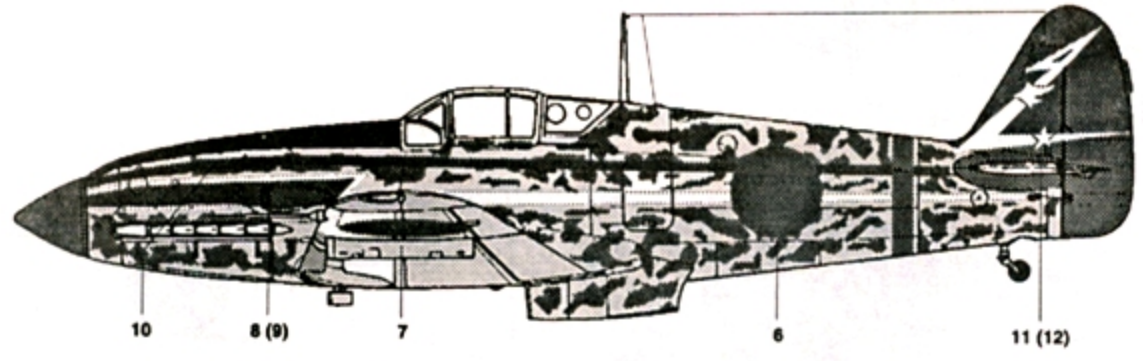
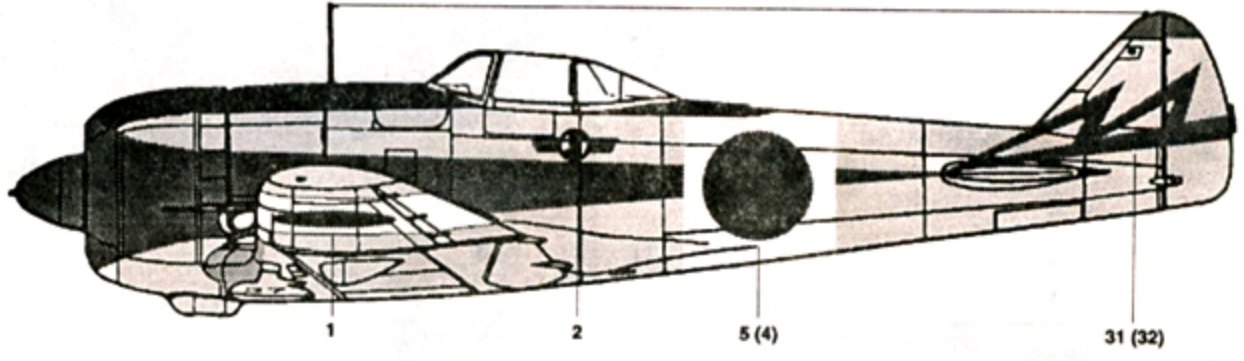


**AeroMaster Decals**™

3615 NW 20th Avenue  
Miami, Florida 33142 USA  
(305) 633-8118 • Fax (305) 634-3630

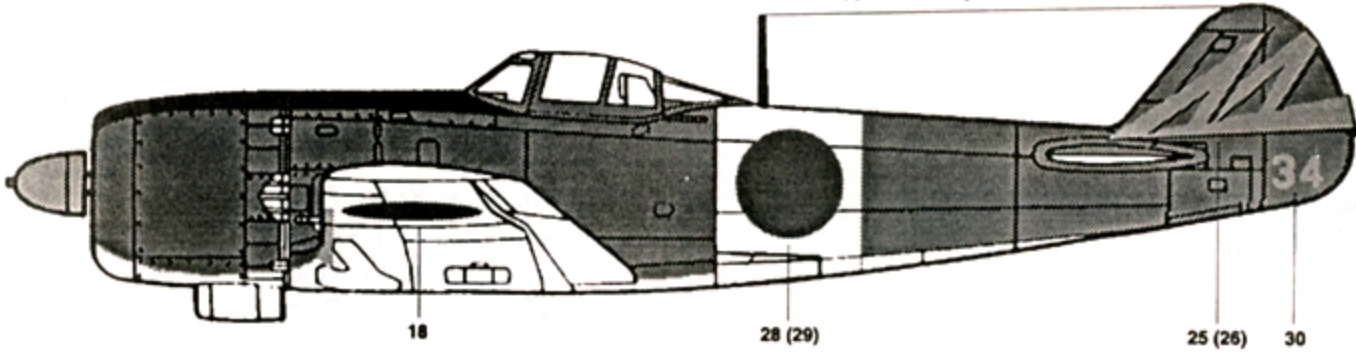
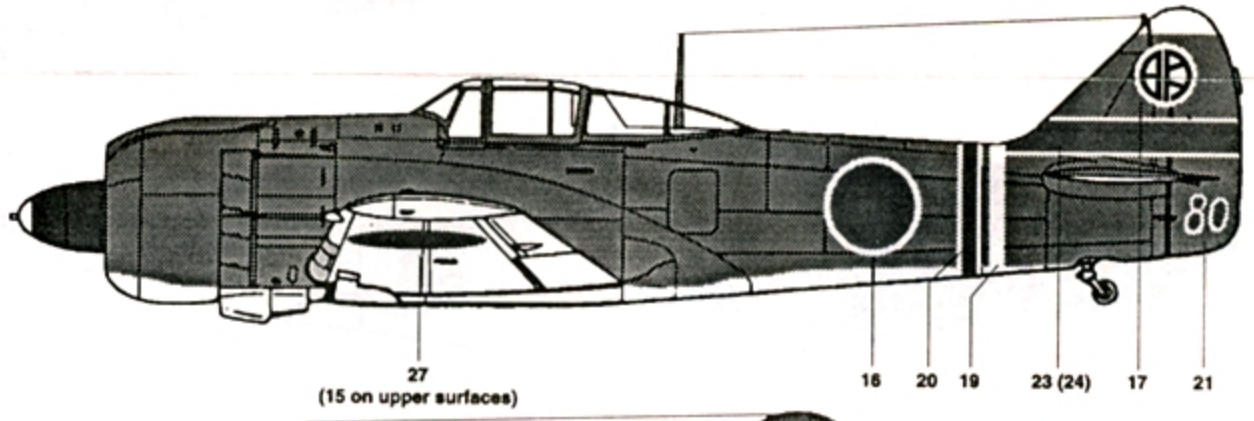
# Aeromaster Decals

Nakajima Ki-44 Il-Ko, No. 37, 47th Sentai, 2nd Chutai, Imperial Japanese Army Air Force, Japanese Home Defense forces, 1945. Overall natural aluminum with red fuselage stripe, spinner and tail tip. Anti-glare panels flat black. Inboard leading edges of wings yellow. White bands under top and bottom wing hinomarus.



Kawanishi Ki-61-I Hein, 244th Sentai, 1944. Overall natural metal with green splotches on all upper surfaces. Vertical tail surfaces and rear fuselage band red, spinner red brown. Inboard leading edges of wings yellow.

Kawanishi Ki-100 Type 5 Goshiki, No. 80, Akeno Fighter Training School, 1945. Japanese olive drab upper surfaces, pale grey lower surfaces. Tip of vertical stabilizer white. Spinner red brown with white tip. Inboard leading edges of wings yellow.



Nakajima Ki-84-Ia Hayate, No. 34, 47th Sentai, 4th Chutai, 1945. Olive drab upper surfaces, pale grey lower surfaces. Spinner & inboard leading edges of wings yellow. White bands on upper and lower wing surfaces.

Nakajima Ki-43III-Koo Hyabusa, 20th Sentai, date and location unknown. Upper surfaces medium blue (similar to FS 25102) with natural metal lower surfaces. Spinner and inboard leading edges of wings yellow. Rear fuselage band white. Use kit decals for hinomarus.

