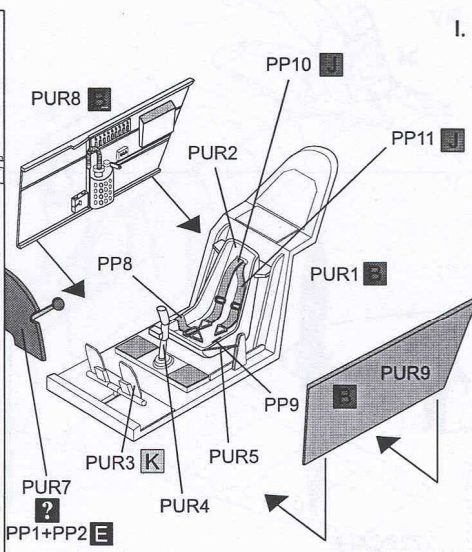
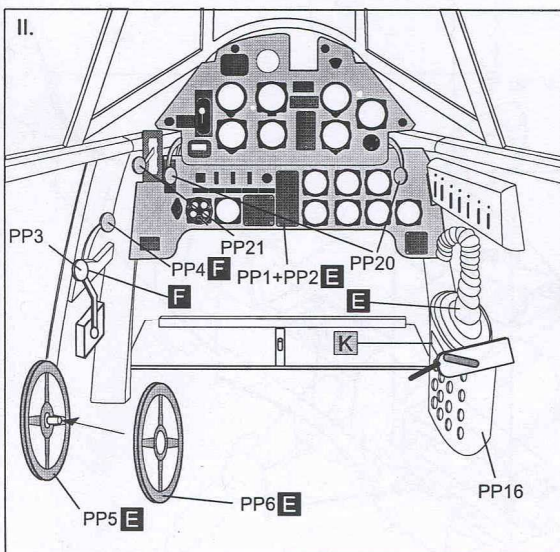
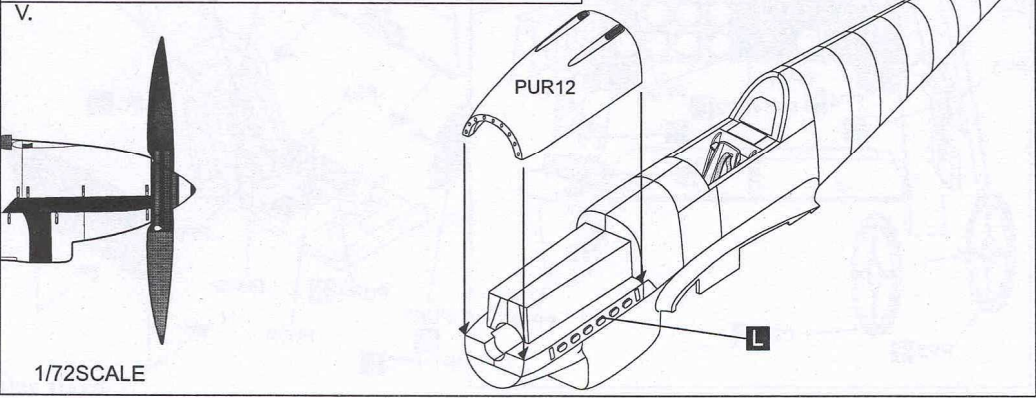
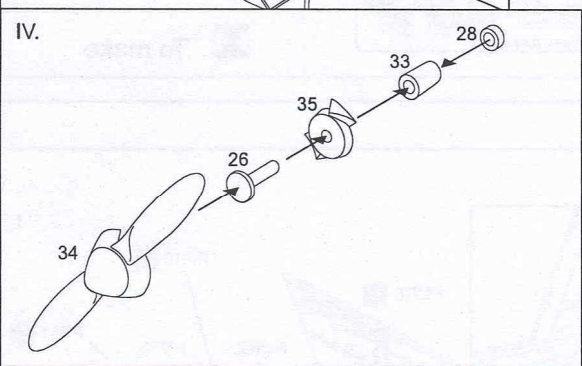
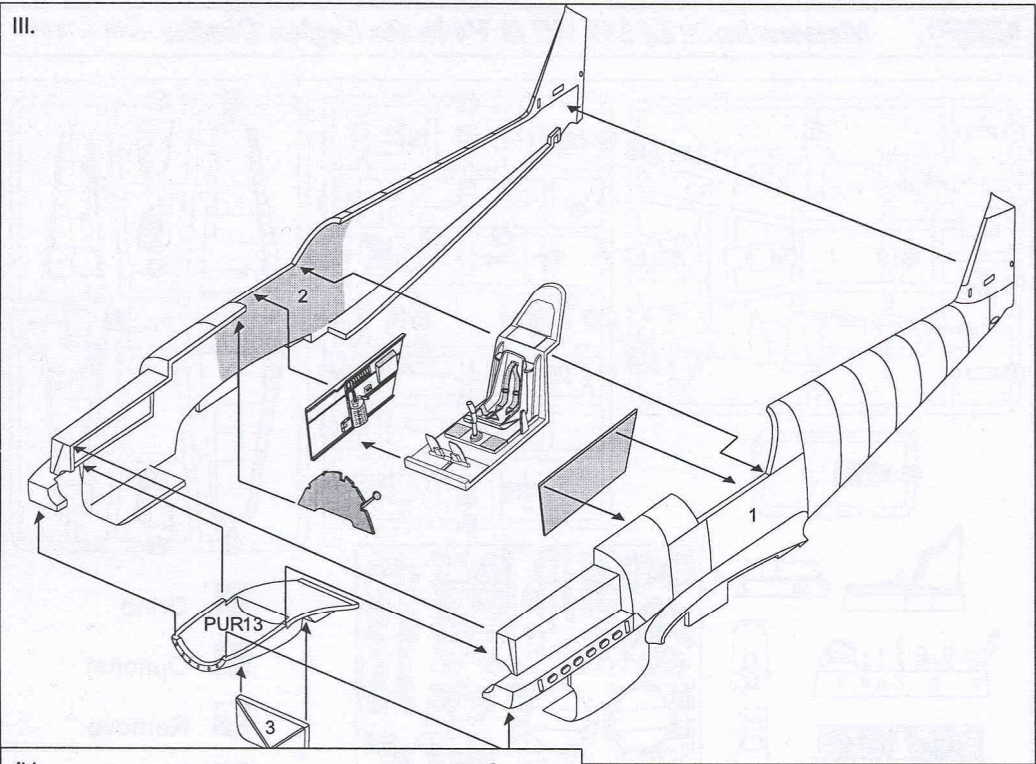


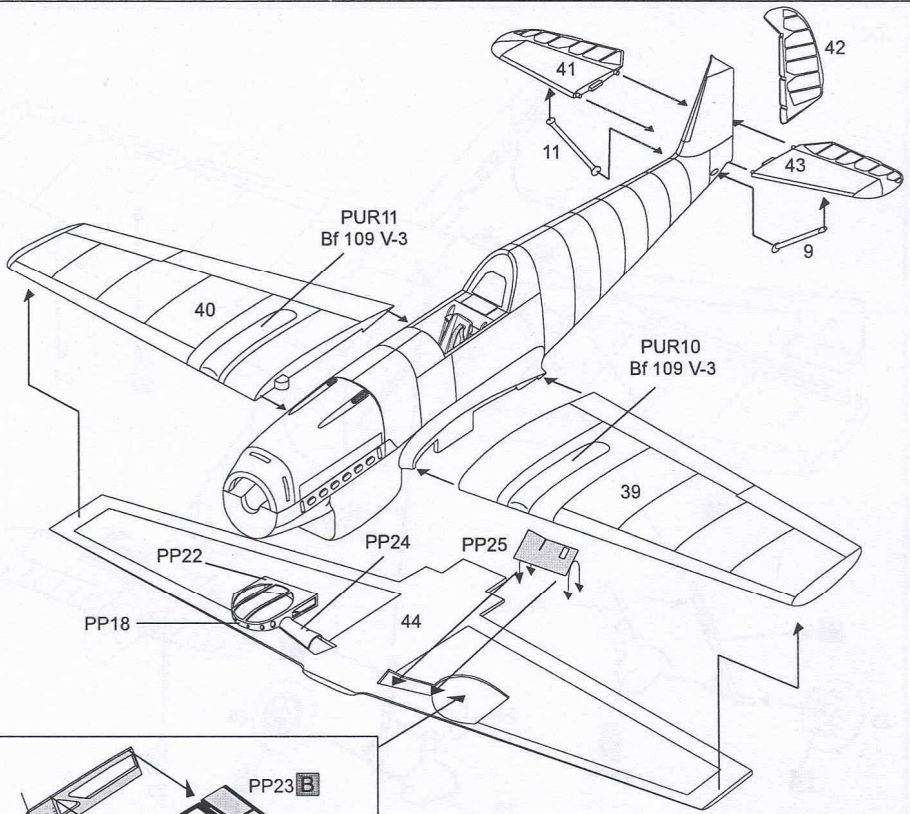
## Assembly



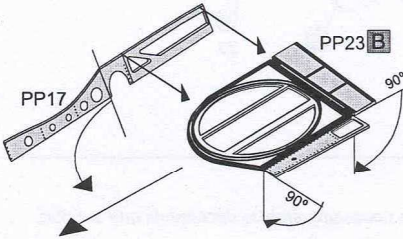


1/72SCALE

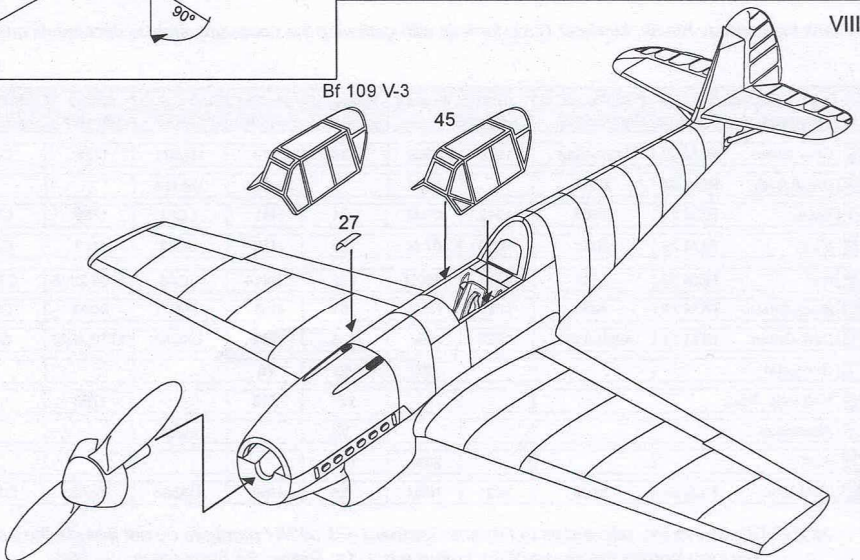
VI.



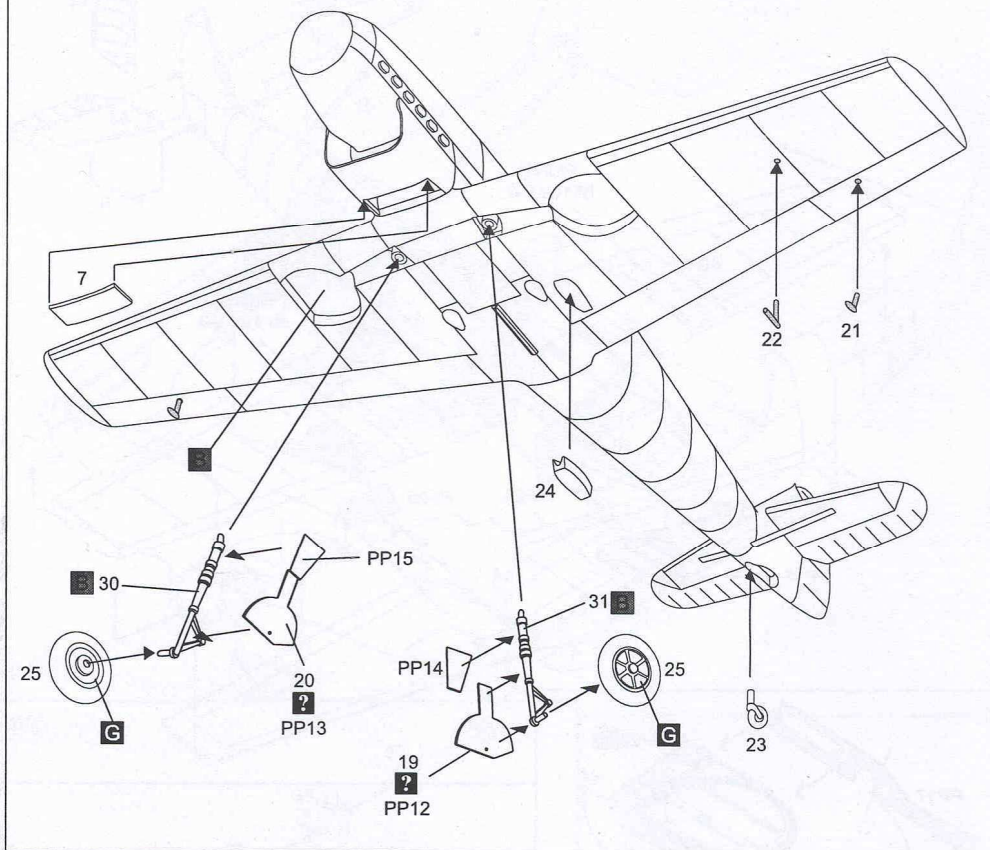
VII.



VIII.



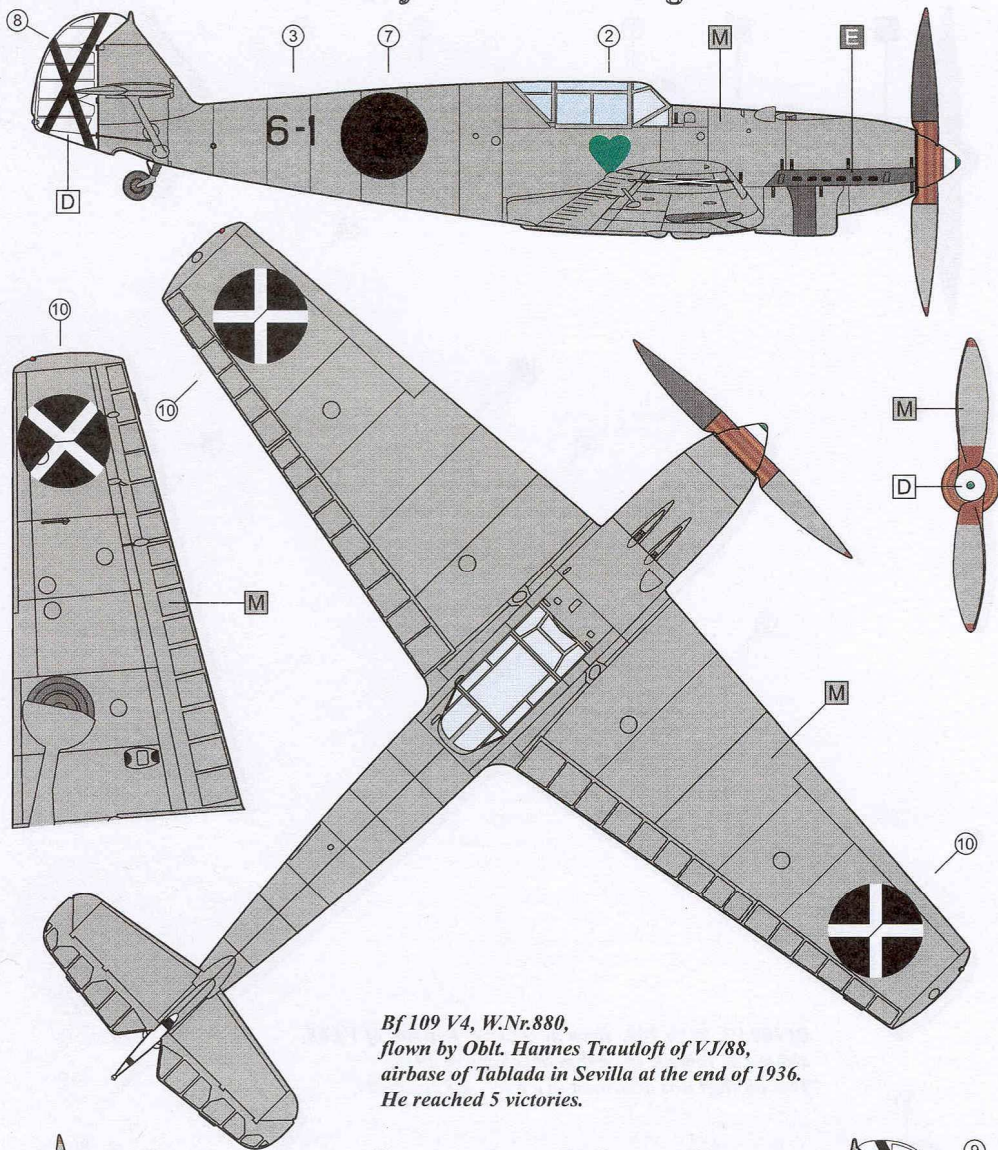
IX.



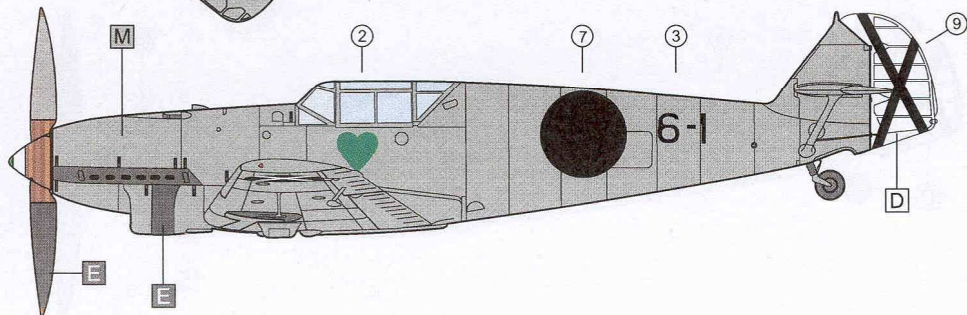
Thank Ing.Ladislav Hladík, Mr.Karel Tůma for help with gathering the necessary archive documents and support.

Doporučené barvy Recommended Colours	Fed.Standard Colors 595a	Aero Master	Agama	Humbrol	Hobby Color	Lifecolor	Model Master	Mr.Color	Testors Pactra	
<b>B</b> Grey Green	RLM 02	4424,4583	1010	N6M	141	H70	UA071	1726	C60	A77
<b>C</b> Green Grey	RLM 63	6307		H8M		H344	UA113			A84
<b>D</b> White	RLM 21	7886	1012	01 M	34	H11	LC01	1768	C62	A2(G)
<b>E</b> Black	RLM 22	7038	1013	07 M	33	H12	LC02	1749	C33	A1(G)
<b>F</b> Red	RLM 23	1302	1014	N30M	153	H414	LC06	1705,2073	C114	
<b>G</b> Black Green	RLM 70	4050	1023	N1M	91	H65	UA051	2080	C18	A87
<b>H</b> Dark Green	RLM 71	4089,4151	1023	N2M	116	H64	UA052	1710,2081	C17	A88
<b>I</b> Gunmetal				32	53	76				
<b>J</b> Matt Pale Stone					121	313		1706		
<b>K</b> Aluminium					56		LC24			46
<b>L</b> Rust				29M	113					
<b>R</b> Light Blue	RLM 65	5450	1021	N5M	65	H68	UA061	2078	C115	A85

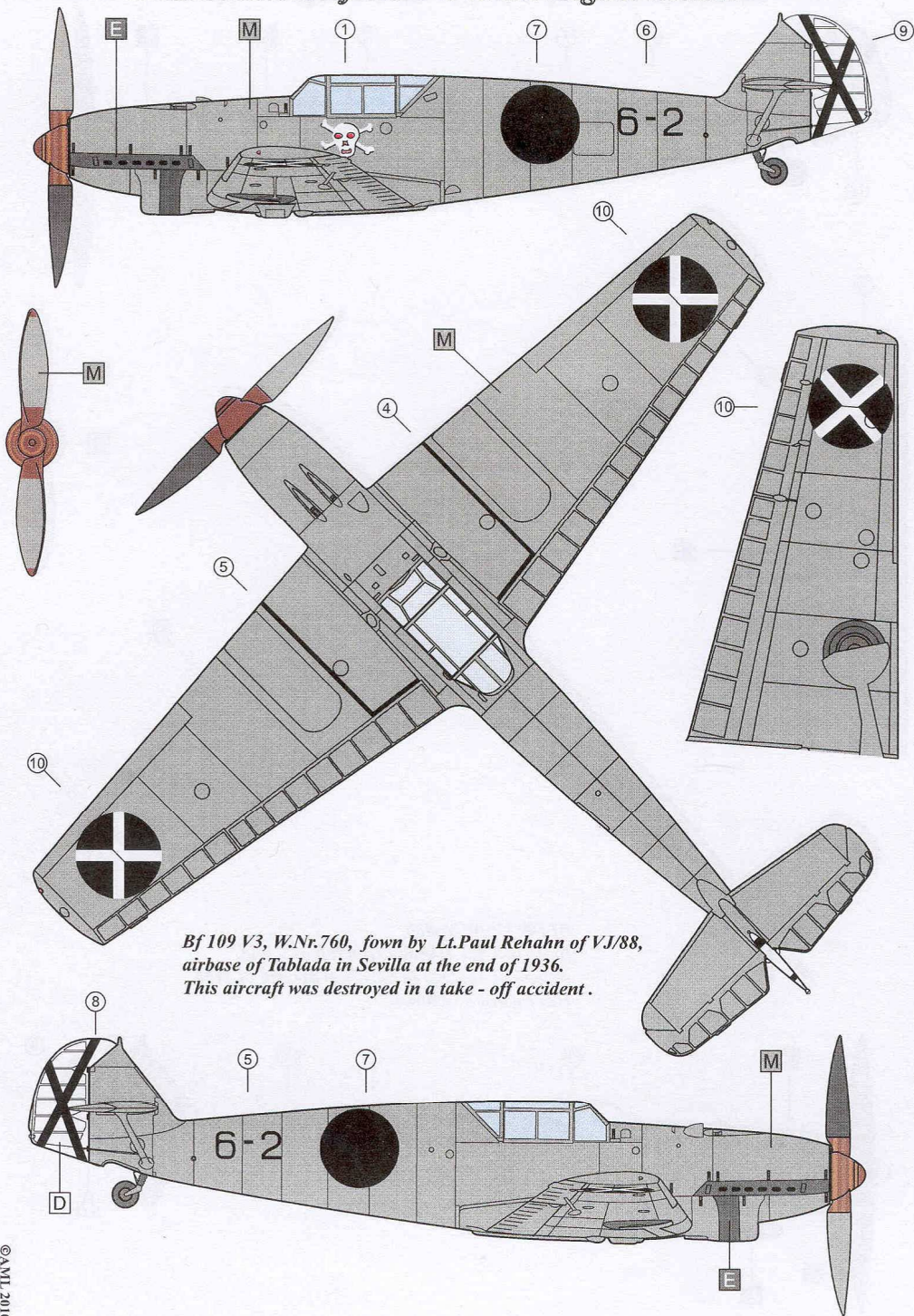
NOTE: This above list references to Federal Standard /FS 595A / numbers do not include the prefix number. This just denotes the sheen of the colour e.g. 1= Gloss, 2= Semi-gloss, 3= Matt.



**Bf 109 V4, W.Nr.880,  
 flown by Oblt. Hannes Trautloft of VJ/88,  
 airbase of Tablada in Sevilla at the end of 1936.  
 He reached 5 victories.**



# Messerschmitt Bf 109 V-3 in the Legion Condor



*Bf 109 V3, W.Nr.760, fown by Lt.Paul Rehahn of VJ/88, airbase of Tablada in Sevilla at the end of 1936. This aircraft was destroyed in a take - off accident.*