

LIMITED EDITION

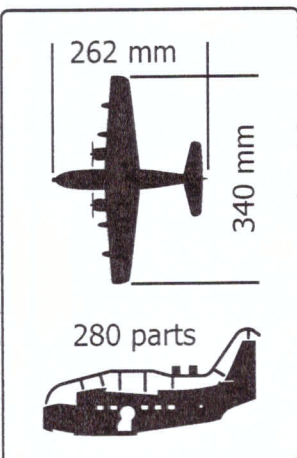
SOVA-M  
SVM-72024

# SA-16A Albatross



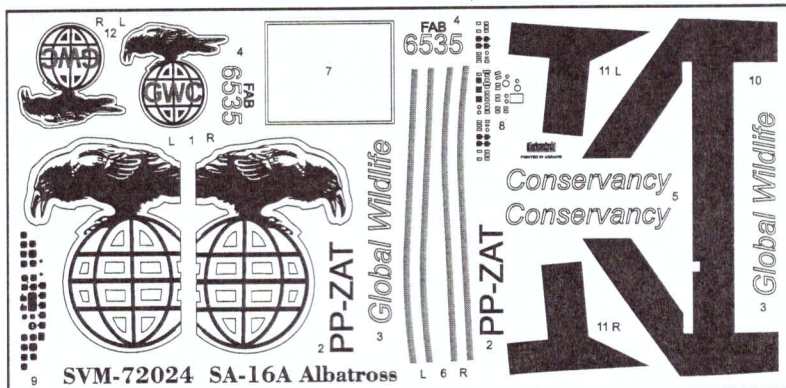
UNASSEMBLED PLASTIC MODEL KITS

SCALE:1/72



### DECALS

ONE VERSION  
OF COLOURING



### PAINTS

- |                                     |                               |
|-------------------------------------|-------------------------------|
| <b>A</b> HUMBROL 34 WHITE           | <b>B</b> HUMBROL 18 ORANGE    |
| <b>C</b> HUMBROL 141 LIGHT SEA GREY | <b>D</b> HUMBROL 56 ALUMINIUM |
| <b>E</b> HUMBROL 85 COAL BLACK      | <b>F</b> HUMBROL 19 RED       |
| <b>G</b> HUMBROL 182 RUBBER         | <b>H</b> HUMBROL 33 BLACK     |
| <b>I</b> HUMBROL 145 MEDIUM GREY    |                               |

### SYMBOLS

- |                                  |                   |               |
|----------------------------------|-------------------|---------------|
| <b>1</b> STAGES OF ASSEMBLY      | TO PAINT          | TO BEND       |
| <b>1</b> NUMBER PARTS            | GLUE              | SCRATCH BUILT |
| APPLY DECALS                     | DON'T GLUE        | OPEN HOLE     |
| <b>x2</b> QUANTITY OF OPERATIONS | НА ВИБІР OPTIONAL | CUT OUT       |

First prototype of amphibian airplane rose into the air in October 1947. Good speed characteristics were ensured by two ten-cylinder engines R-1820-76A, 1425 h.p. each. After the test program, US Navy has adopted new hydroplan for armament. First serial amphibians were produced by Grumman company in June 1949 in SA-16 A version (Search Amphibian). In January 1956 new version SA-16B was built with the larger wing-span. Hydroplanes were actively used during the Korean war and in Vietnam. After long patrolling, additional fuselage tank and two suspended vessels under the wing were installed – this allowed to prolong the flight, total duration being 12-14 hours. In Korea and in Vietnam crews of amphibians managed to save lives of 229 pilots. In total 464 aircraft were built in various modifications.

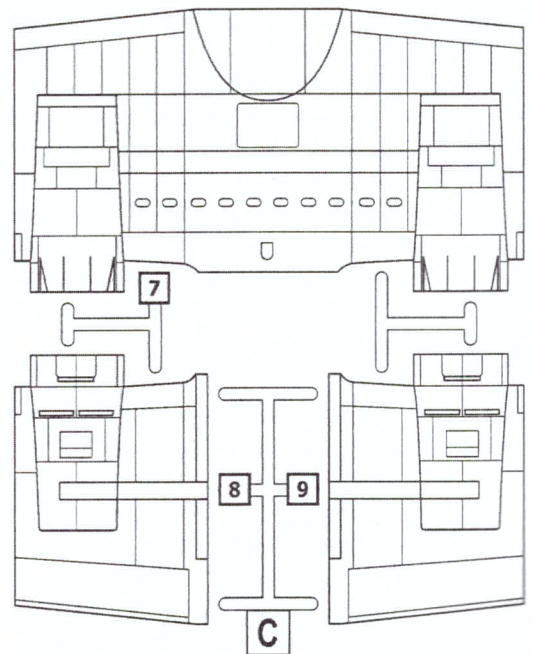
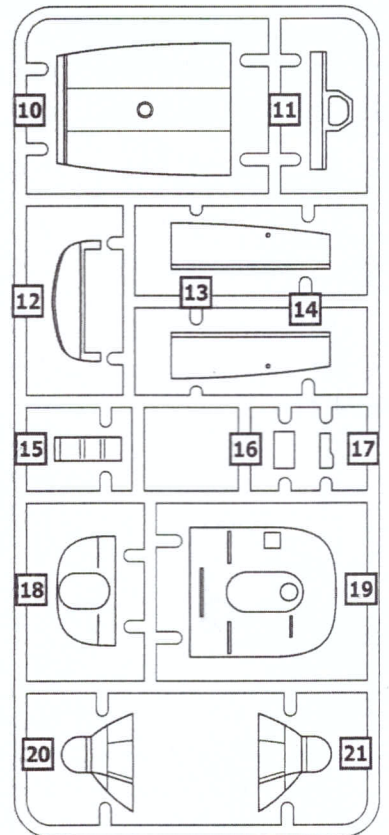
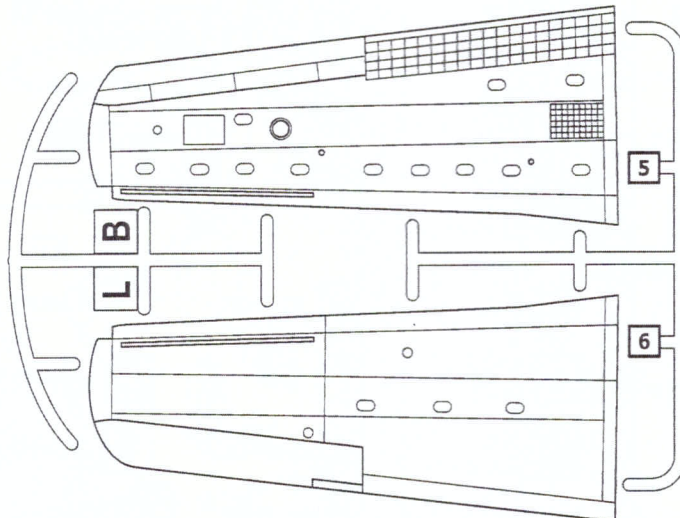
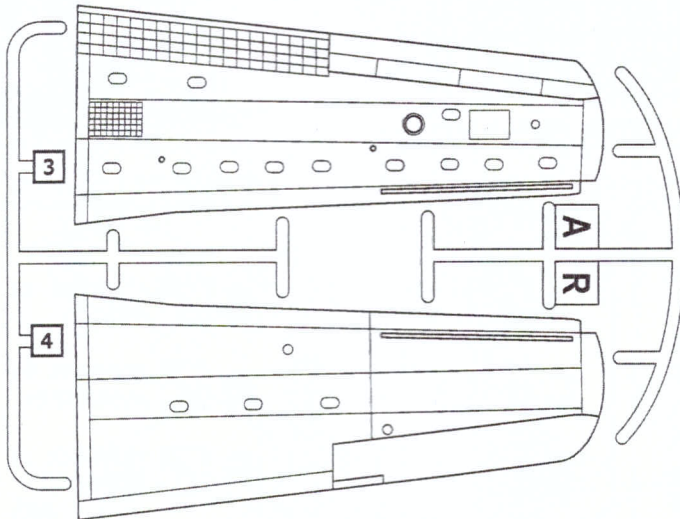
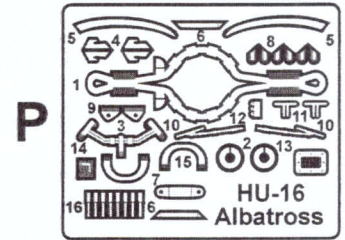
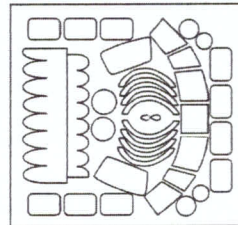
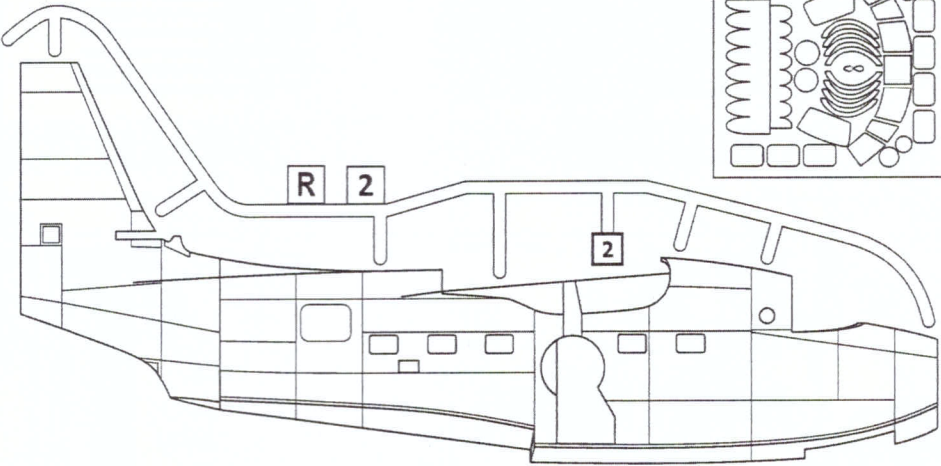
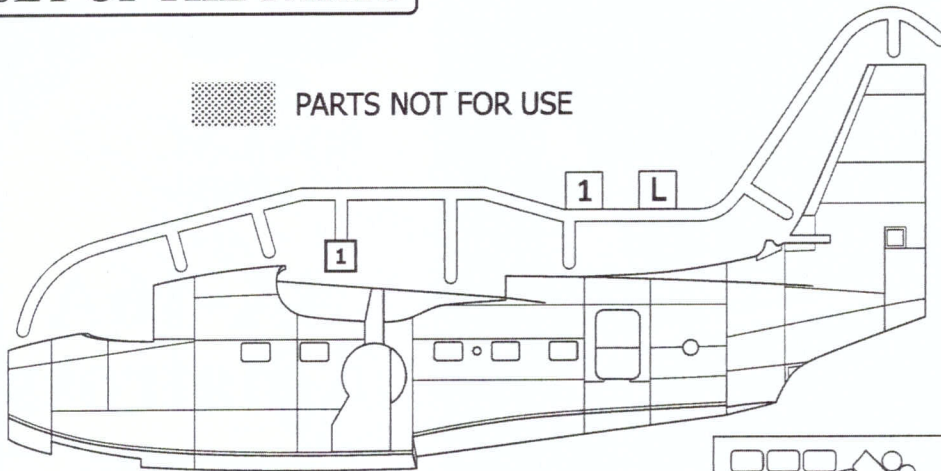
The model is executed on technology short run and is intended only for experienced modelers.

Word-wide distributor for Sova-M kits:  
ModelSvit Balkans Ltd. 4003 Plovdiv,  
Bulgaria 9, zK Maritza Gardens.  
Tel. +359 32 397 069,  
E-Mail: modelsvitbalkans@gmail.com  
MADE IN UKRAINE

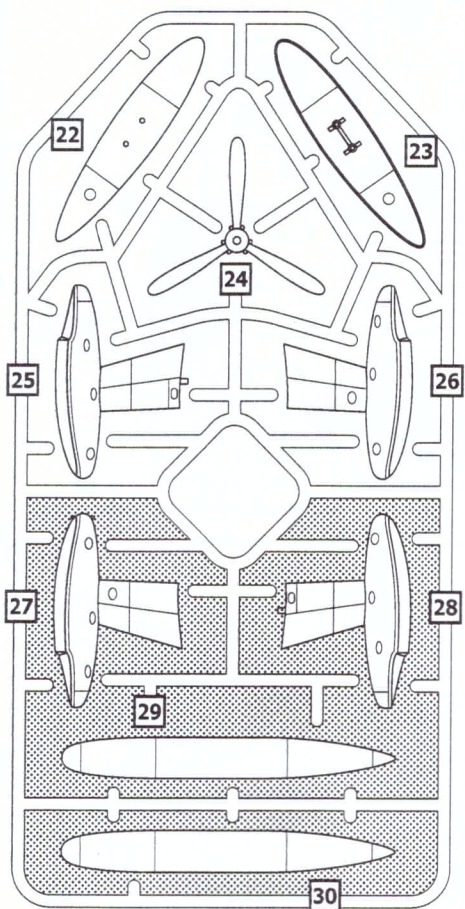
# SET OF THE PARTS



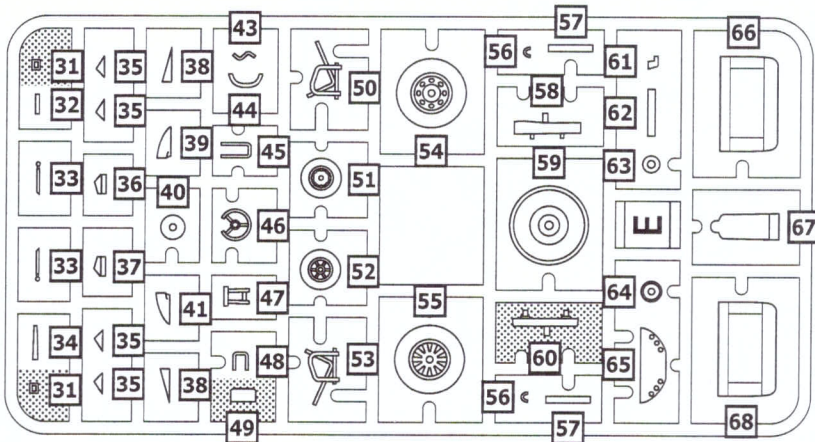
 PARTS NOT FOR USE



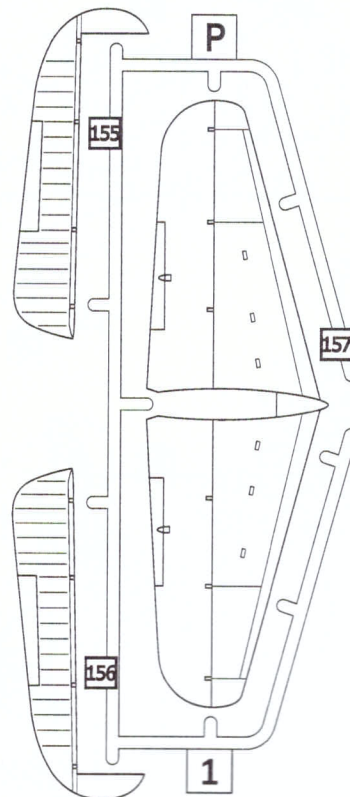
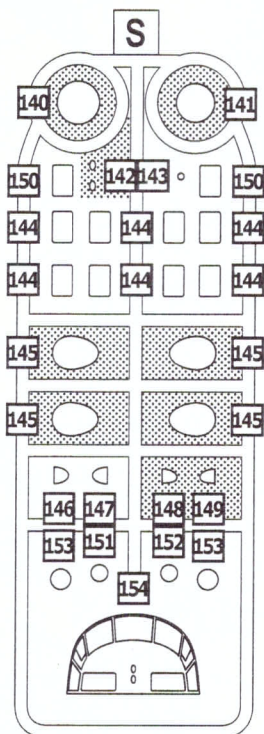
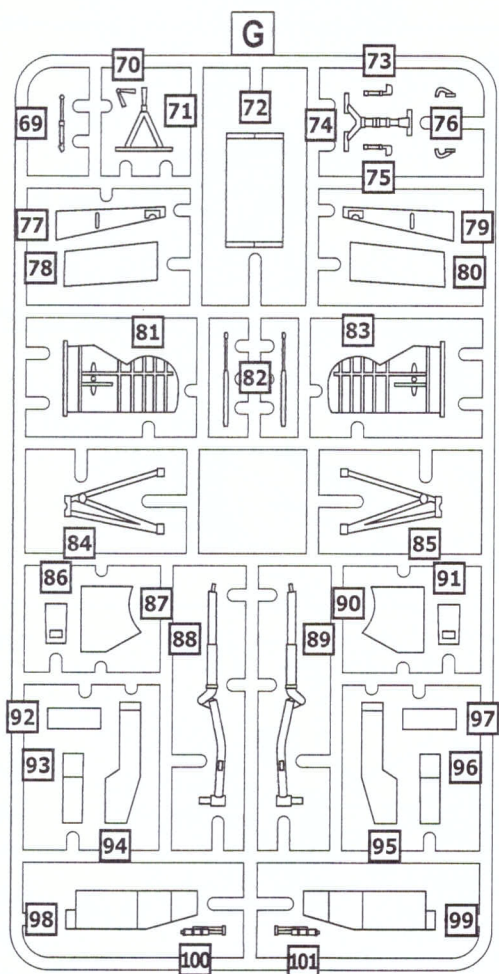
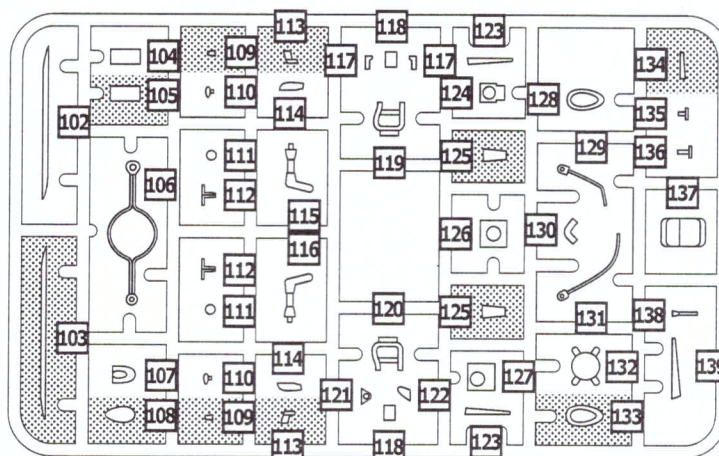
# SET OF THE PARTS



x2



x2



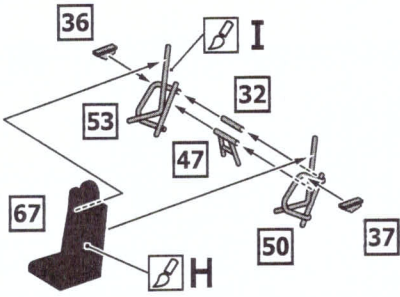
1

# ASSEMBLY INSTRUCTION



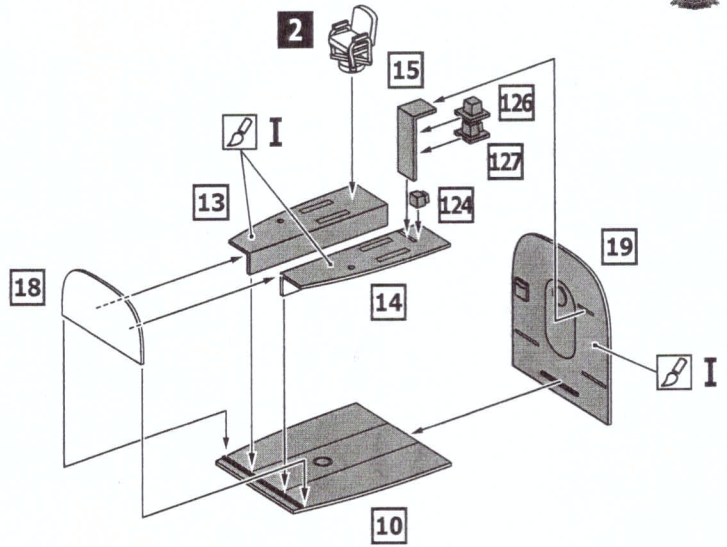
**1** x2

- 32 x2
- 36 x2
- 37 x2
- 47 x2
- 50 x2
- 53 x2
- 67 x2



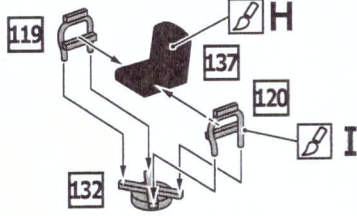
**3**

- 2
- 10
- 13
- 14
- 15
- 18
- 19
- 124
- 126
- 127



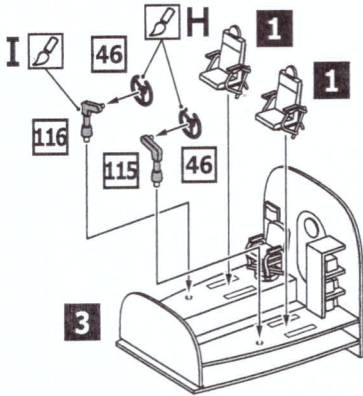
**2**

- 119
- 120
- 132
- 137



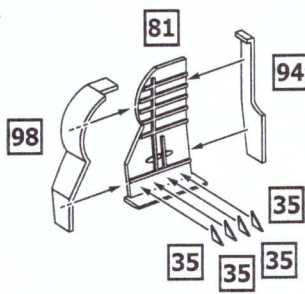
**4**

- 1 x2
- 3
- 46 x2
- 115
- 116



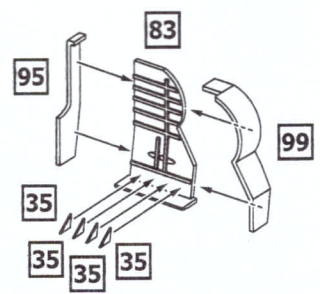
**5**

- 35 x4
- 81
- 94
- 98



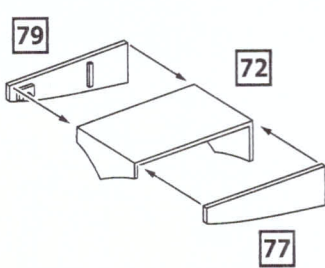
**6**

- 35 x4
- 83
- 95
- 99



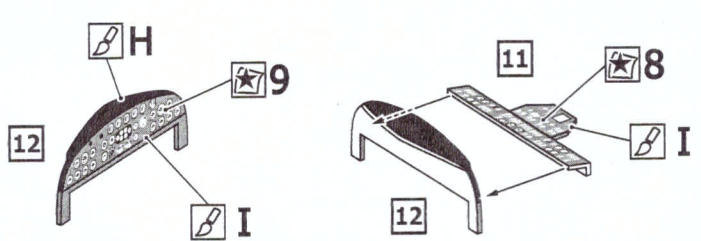
**7**

- 72
- 77
- 79



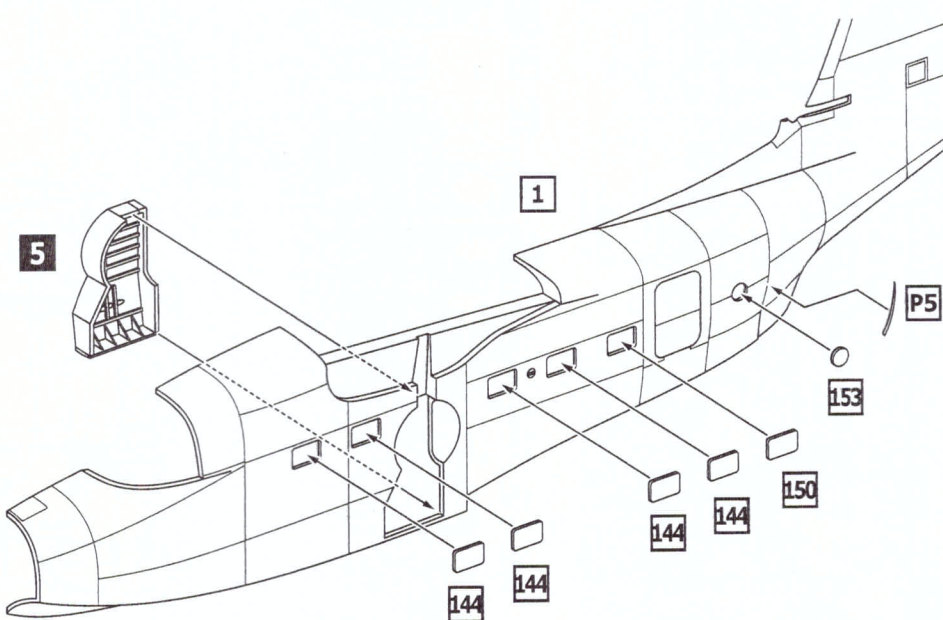
**8**

- 11
- 12



**9**

- 5
- 1
- 144 x4
- 150
- 153
- P5



# ASSEMBLY INSTRUCTION



**10**

**6**

**2**

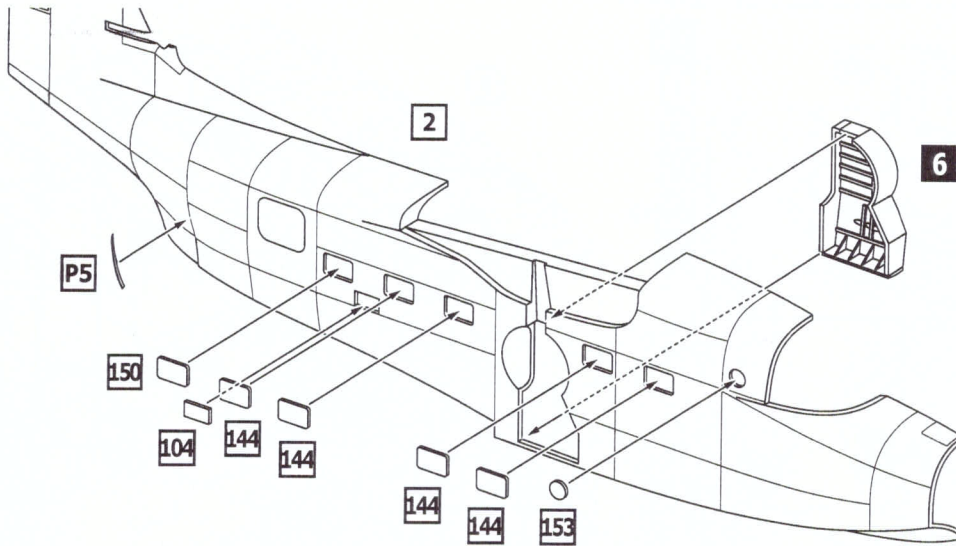
**104**

**144** x4

**150**

**153**

**P5**



**11**

**4**

**7**

**8**

**9**

**10**

**16**

**17**

**20**

**21**

**38** x4

**102**

**121**

**135**

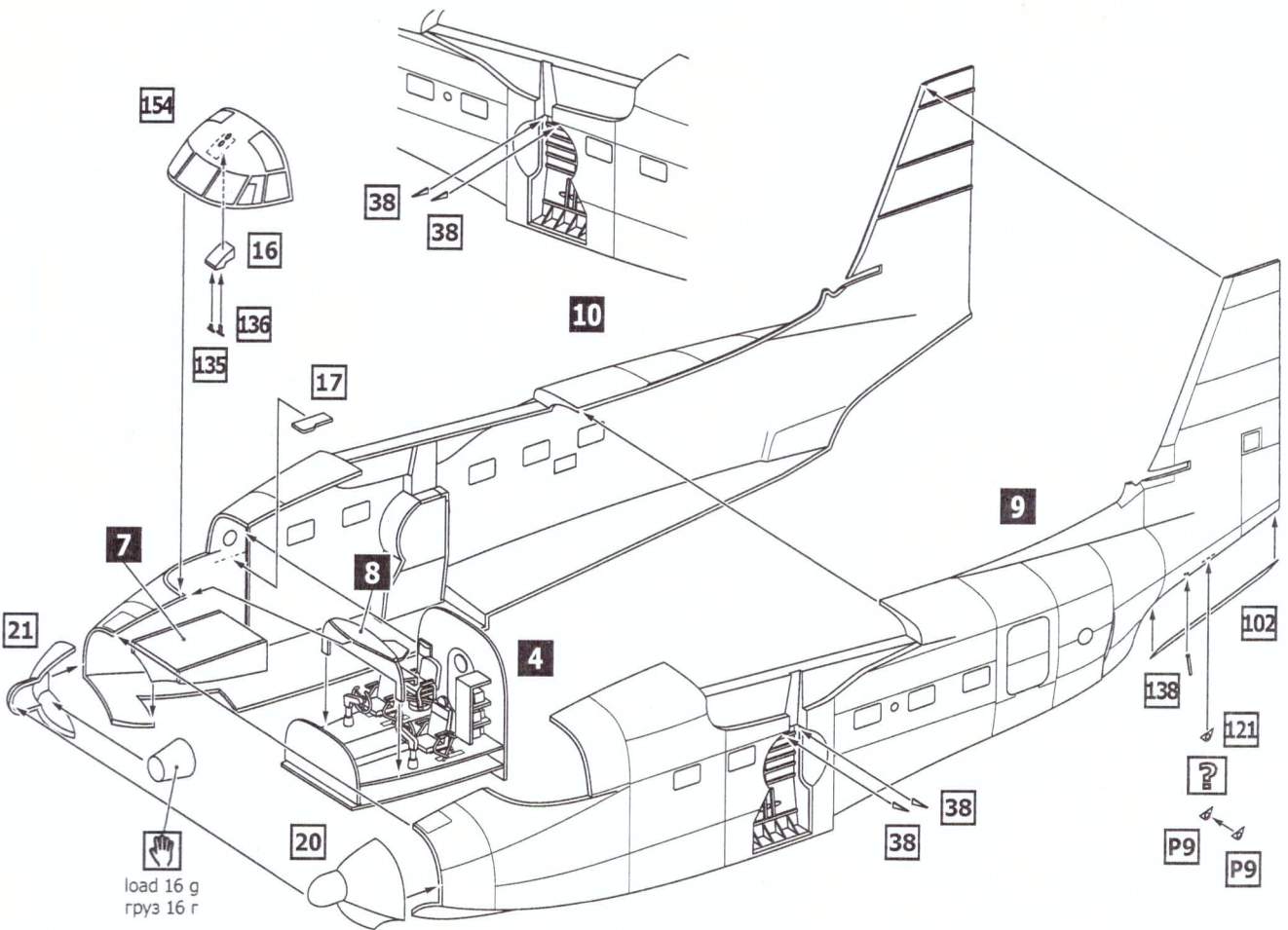
**136**

**138**

**154**

**P9** x2

load 16 g  
груз 16 r



**12** x2

**24** x2

**40** x2

**59** x2

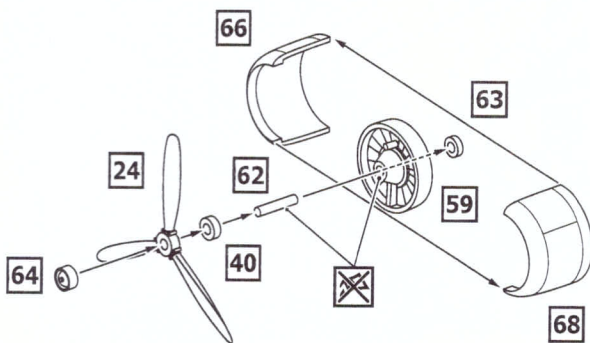
**62** x2

**63** x2

**64** x2

**66** x2

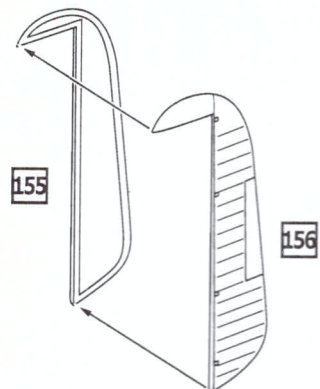
**68** x2



**13**

**155**

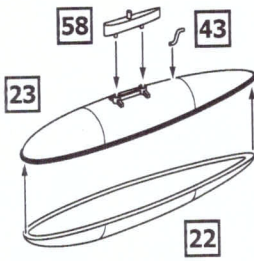
**156**



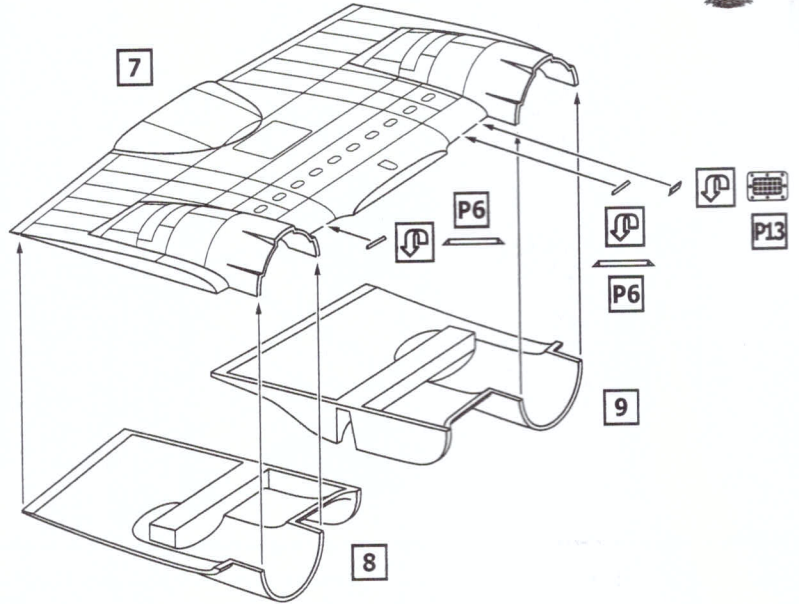
# ASSEMBLY INSTRUCTION



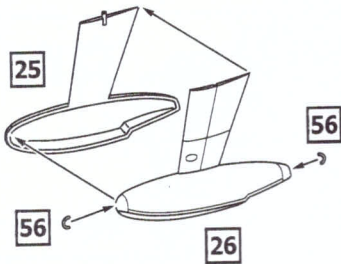
- 14** x2
- 22** x2
- 23** x2
- 43** x2
- 58** x2



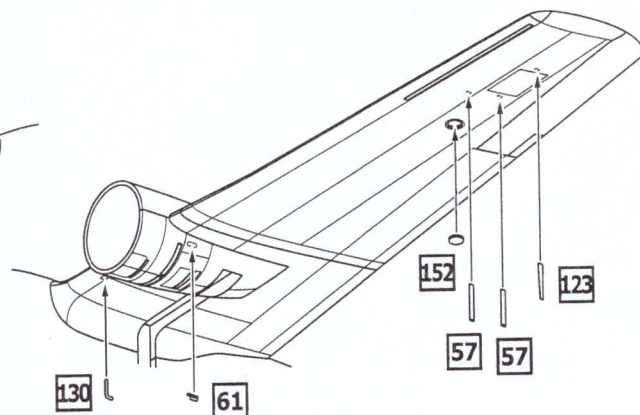
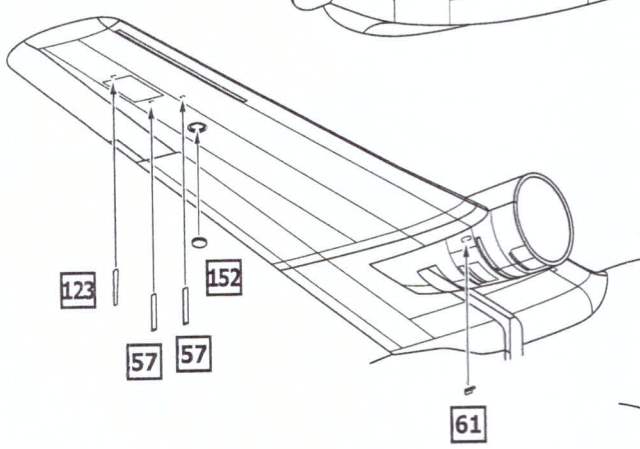
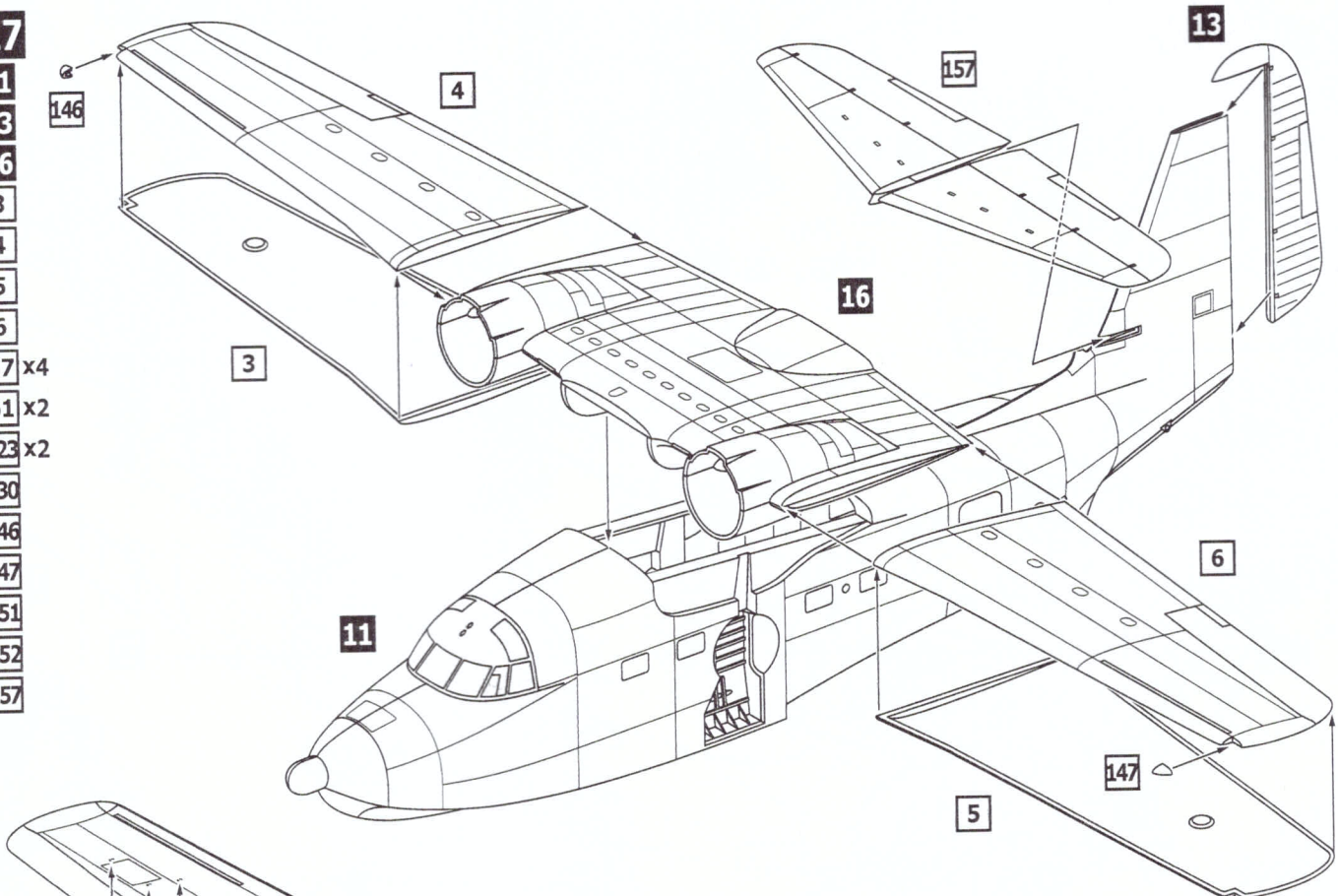
- 16**
- 7**
- 8**
- 9**
- P6** x2
- P13**



- 15** x2
- 25** x2
- 26** x2
- 56** x4



- 17**
- 11**
- 13**
- 16**
- 3**
- 4**
- 5**
- 6**
- 57** x4
- 61** x2
- 123** x2
- 130**
- 146**
- 147**
- 151**
- 152**
- 157**



# ASSEMBLY INSTRUCTION



**18**

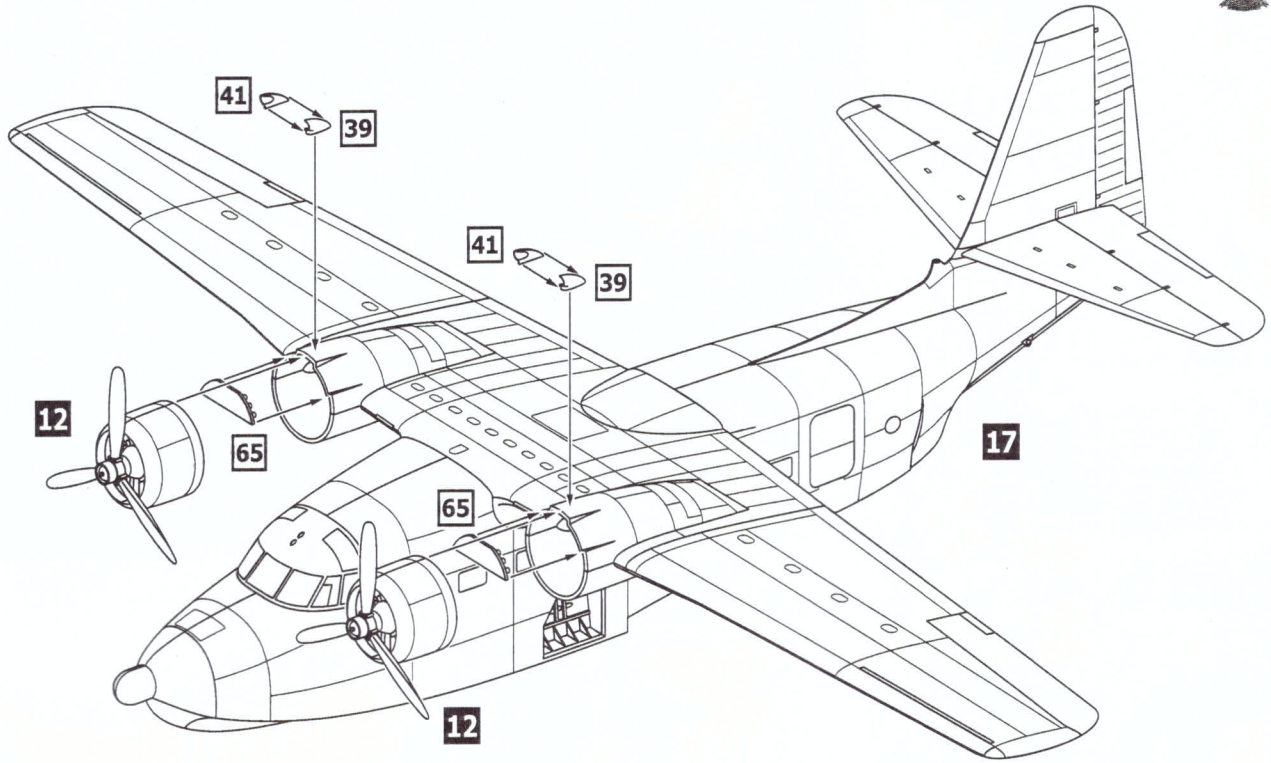
**12** x2

**17**

**39** x2

**41** x2

**65** x2



**19**

**45**

**48**

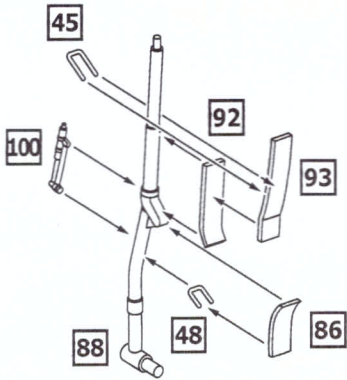
**86**

**88**

**92**

**93**

**100**



**20**

**45**

**48**

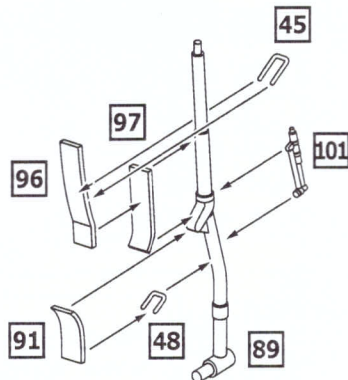
**89**

**91**

**96**

**97**

**101**



**21**

**51** x2

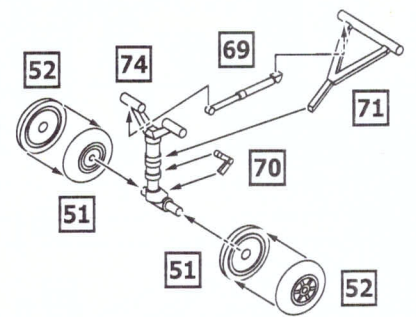
**52** x2

**69**

**70**

**71**

**74**



**22**

**18**

**20**

**33**

**54**

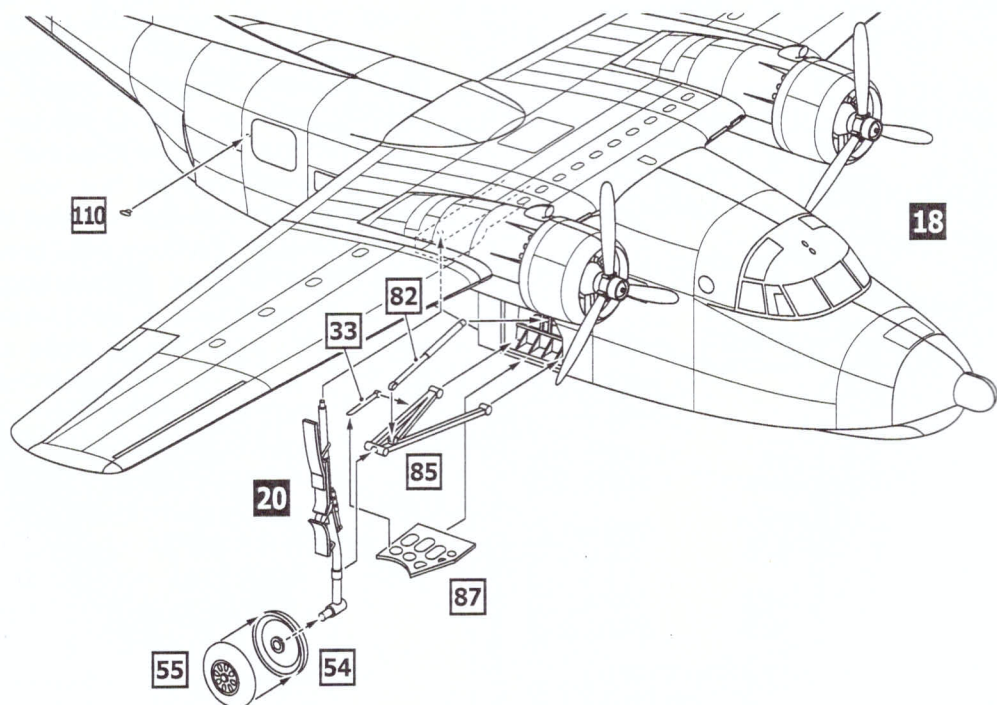
**55**

**82**

**85**

**87**

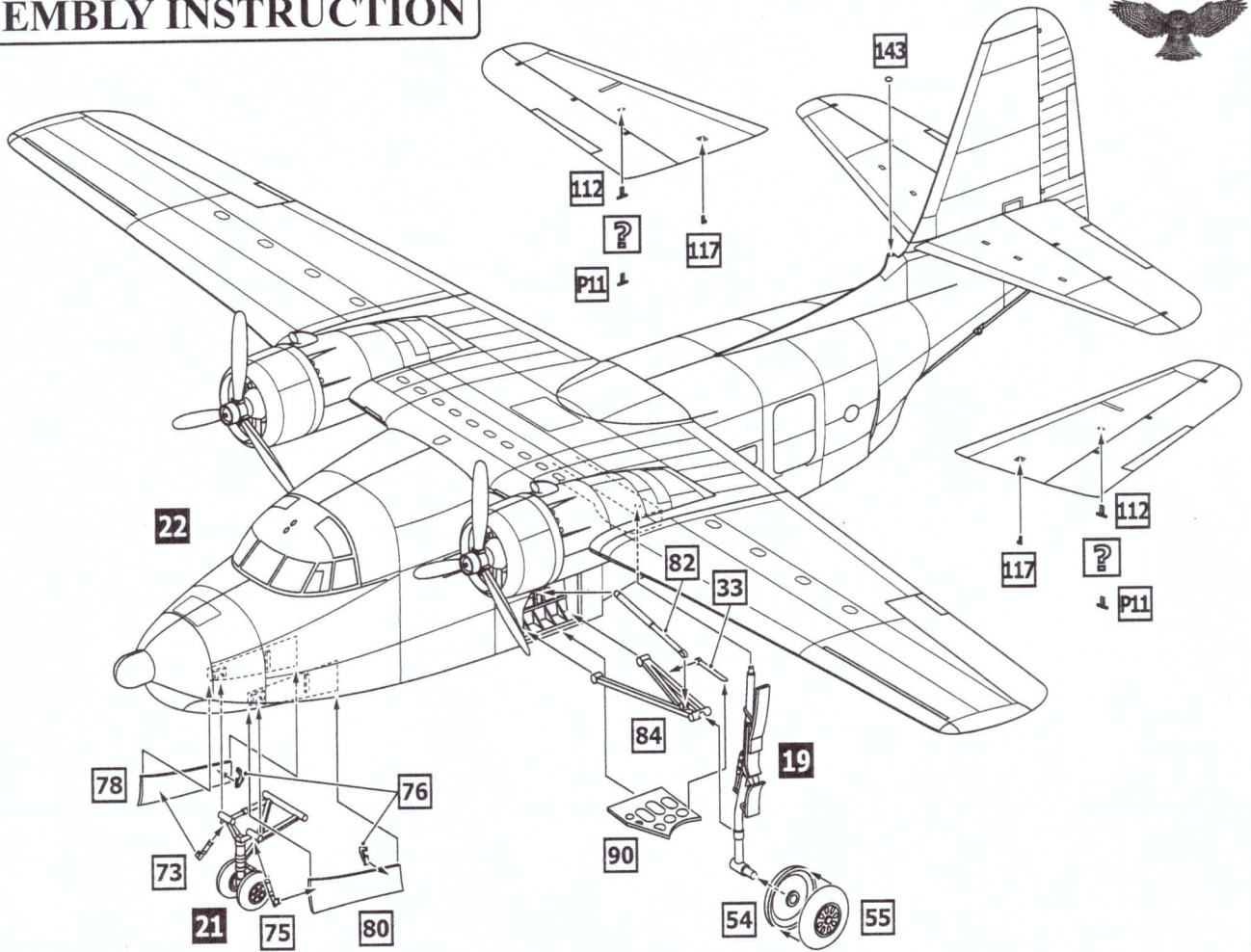
**110**



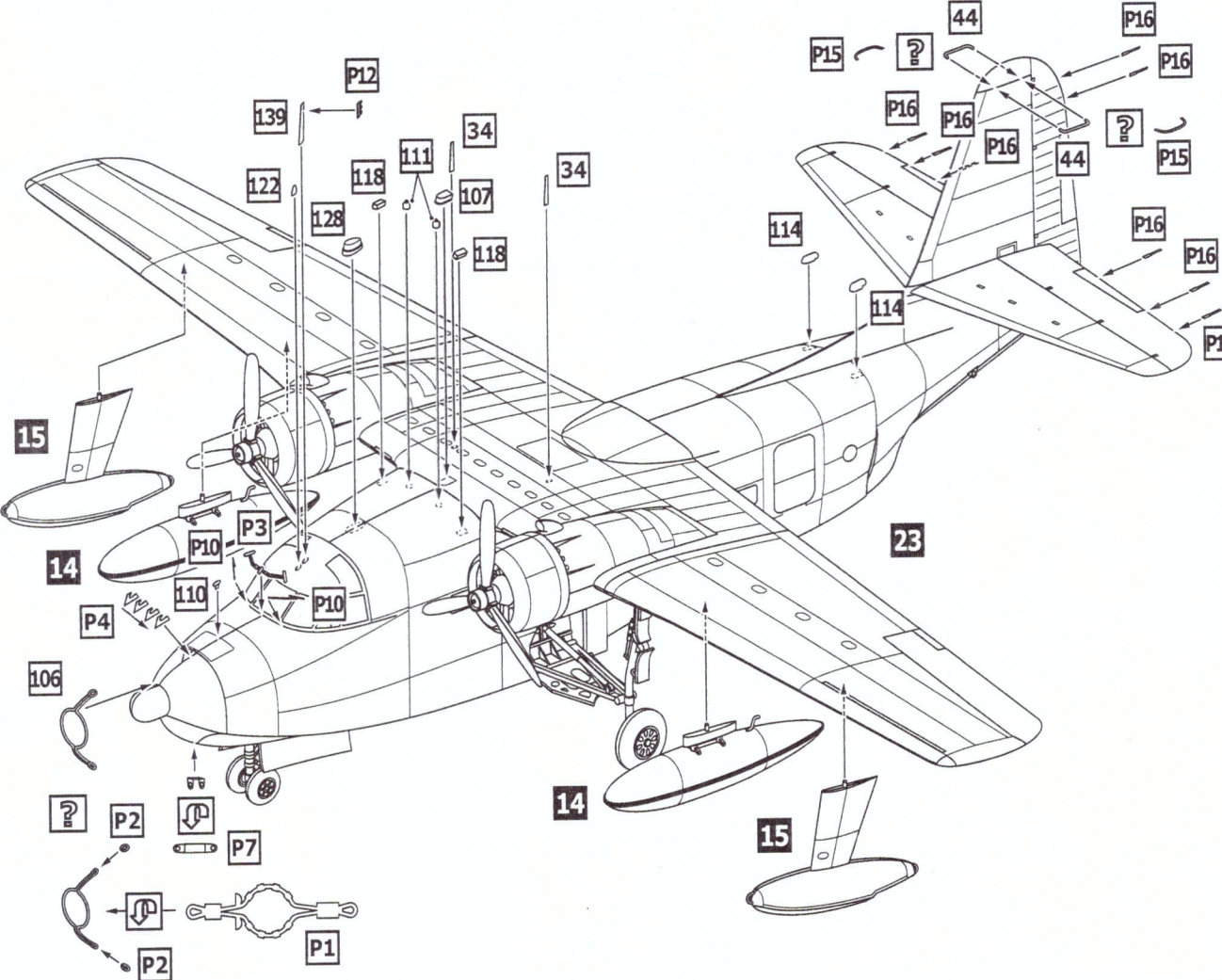
# ASSEMBLY INSTRUCTION



- 23**
- 19**
- 21**
- 22**
- 33**
- 54**
- 55**
- 73**
- 75**
- 76** x2
- 78**
- 80**
- 82**
- 84**
- 90**
- 112** x2
- 117** x2
- 143**
- P11** x2



- 24**
- 14** x2
- 15** x2
- 23**
- 34** x2
- 44** x2
- 106**
- 107**
- 110**
- 111** x2
- 114** x2
- 118** x2
- 122**
- 128**
- 139**
- P1**
- P2** x2
- P3**
- P4** x4
- P7**
- P10** x2
- P12**
- P15** x2
- P16** x8





# MARKING & PAINTING

SA-16A Albatross

