

HISTORICAL NOTES

On the 20th February 1971 Harold Wilson inaugurated the construction of a new factory at Workington built specifically to produce a standard single decker at a rate of 2,000 per year with production to begin in 1971. The factory cost £8m and initially employed 300 people. The new bus appeared at the Commercial Motor Show at Earls Court in 1970 and stole the show. The Leyland National was born.

London Country initially ordered 70 single door versions and later took a further 77. London Transport referred to the National dual door version as the LS type and went on to take 437 of them. Greater Manchester bought 104 and the National Bus Company bought 500 in one year alone.

In total over 7,700 were built and at one stage were in use with 77 different operators. Many having been sold on the second hand market are still in use today. Production stopped in 1979 when it was replaced with the MK II Leyland National.

Many versions of the Mk I have been made available in both 10.3m and 11.3m lengths, single, dual or four door, left hand or right hand drive. A choice of engines has been offered; the original versions having the Leyland 500 series engine. They were also available with no roof pod, a short pod or a long pod.

LIVERY

Humbrol and Phoenix Precision (Cherry Paints Range) both produce a good selection of suitable paints for buses. We have included Humbrol paint numbers for your reference. Use the box artwork as a guide to painting.

Interior (all versions) – It should be remembered that these buses were in service for many years. They would have been repainted and seats would have been recovered. However, when new they were as follows:

Interior doors and the whole cab area - Matt Black (no.33). Floor - Chocolate Brown (no.98). Sides up to the level of the lower edge of the window - Dark Earth (no.29). Sides from the lower edge of the window up - Cream (no.103). Ceiling - Light Grey (no.40).

The seats tended to vary from operator to operator but were generally as follows:

LONDON TRANSPORT: Back of seats - Dark Earth (no.29). Seats - Indian Red (no.HR110).

LONDON COUNTRY: Back of seats - Dark Earth (no.29). Seats - Matt Emerald Green (no.2) matt varnished.

GREATER MANCHESTER: Back of seats - Light Grey (no.40). Seats - Orange (no.18) matt varnished.

BLACKPOOL: Back of seats - Grey (no.64). Seats - Orange (no.82).

Exterior

LONDON TRANSPORT: Basic body - all Red (no.19). Bumper - Cream (HR114). Hubcaps - Indian Red (no.HR110). Tyres - Matt Black (no.33). Indicator Lights - Orange (no.18).

LONDON COUNTRY: Basic Body - Emerald (no.2) with a Stripe - Cream (no. HR114). Tyres - Matt Black (no.33). Indicator Lights - Orange (no.18).

GREATER MANCHESTER: Body - Orange (no.18) & Ivory (no.41). Wheel Hubs - Indian Red (no.HR110). Tyres - Matt Black (no.33). Indicator Lights - Orange (no.18).

BLACKPOOL: Body - Emerald (no.2) & Ivory (no.41). Tyres - Matt Black (no.33). Indicator Lights - Orange (no.18).

Assembly Instructions for Leyland National Single Deck Bus Mk I 10.3m Single and Dual Door Versions

TRANSFERS (DECALS)

Use the box artwork as a positioning guide. Transfers are of the waterslide type. Carefully cut around each decal removing it from the sheet. Soak for a few seconds in luke warm water sliding it off the backing paper. Position on the model, absorbing excess water with a tissue. Allow to dry for 24 hours then apply a coat of varnish for protection.

Adverts are optional as not all buses carried them. The front route indicator should be painted Gloss Black (no.21), the front route destination transfer can then be applied. On the London Transport version the rear route indicator should be painted Black and the route number only transfer applied centrally. The London Country rear route indicator was not used. An optional advert is supplied or the panel can be painted black or green. Manchester and Blackpool did not use rear route destinations so the panel should be painted black.

GENERAL NOTES ON ASSEMBLY

Carefully remove parts as required from the sprue using a sharp modelling knife. Trim as necessary ensuring a perfect fit. Use only plastic cement (Plastic Weld or similar). Apply only a minimum amount of glue and remember that glue will not stick painted parts so ensure that edges to be stuck are clean. It will be necessary to paint the interior parts prior to assembly and glueing as it will not be possible later.

LIST OF PARTS (diagrams A - F)

1. Front End
2. Dash Board
3. Steering Wheel
4. Driver's Side
5. Front Floor Section
6. Internal Step
7. Rear Floor Section
8. Driver's Panel
9. Seating (single door version)
10. Seating (dual door version)
11. Front Bumper
12. Rear End
13. Rear Bumper
14. Near Side (single door version)
15. Near Side (dual door version)
16. Roof
17. Long Pod (optional)
18. Short Pod (optional)
19. Pod back section (optional)
20. Front Axle
21. Front Wheels
22. Rear Wheel Mounting
23. Inner Rear Wheels
24. Outer Rear Wheels
25. Rear Hub Caps
26. Front Hub Caps

GLAZING PARTS (diagram G)

- A. Front End Glazing
- B. Driver's Side Glazing
- C. Rear End Glazing
- D. Front Door Glazing
- E. Near Side Front Glazing
- F. Near Side Centre Glazing (single door version)
- G. Centre Side Centre Glazing (dual door version)
- H. Near Side Rear Glazing
- I. Front Head Lights

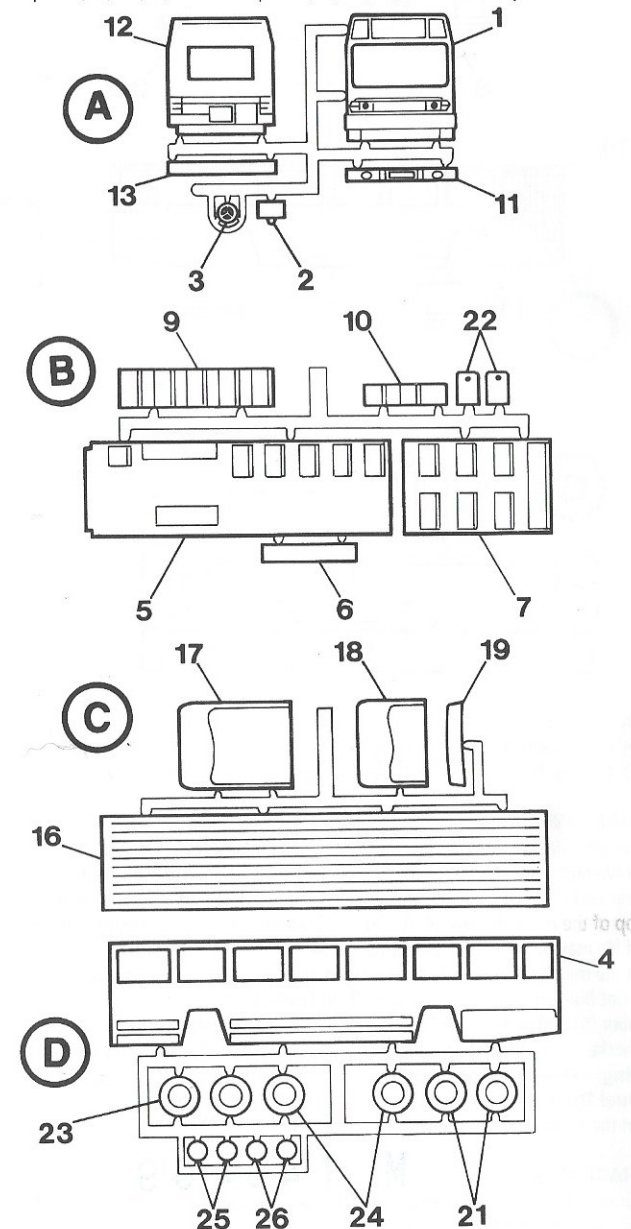
Please note: part (14) is only supplied with single door version, part (15) is only supplied with dual door version.

ASSEMBLY INSTRUCTIONS

Before commencing assembly familiarise yourself with the position of all parts on the sprues. Read the assembly instructions and study the exploded diagrams. Separate each part as it is required from the sprue using a sharp knife. Do not try to pull the parts off the sprue as it will only result in the parts being damaged.

These instructions cover the construction of two versions of the kit; the single door and the dual door. The kits are similar but with parts (9), (14) & (F) being specific to the single door version and parts (10), (15) & (G) are specific to the

dual door version. The roof pod is optional. The vehicle can be built with a long pod - parts (17) & (19) or a short pod - (18) & (19), or without a pod.



Pritchard Patent Product Co. Ltd.

Beer, Devon, EX12 3NA, England Tel: 01297 21542

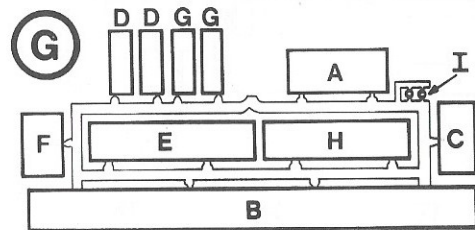
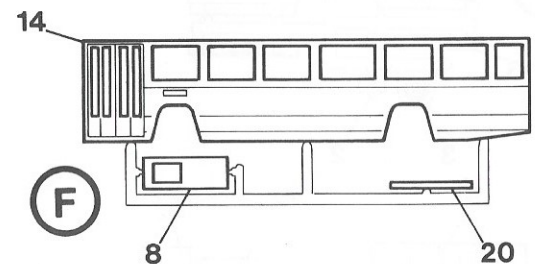
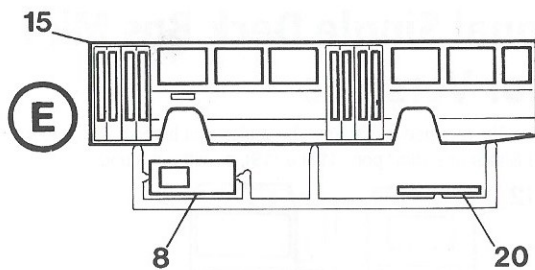


DIAGRAM 1

Fit and cement Front End Glazing (A) into Front End (1). Cement Steering Wheel (3) to Dash Board (2). Cement Dash in place as show. Allow to dry.

DIAGRAM 2

Cement Glazing Strip (B) to Driver's Side (4). Cement Front Floor Section (5) between the locating ribs on (4). Internal Step (6) fits vertically on top of the rear end of (5), so that (7) sits on top of (6), whilst locating into position on top of the rib at the rear of (4). Do a trial run to check the fit as some trimming of (6) may be necessary. Cement parts (4), (6) & (7) together. Allow to dry and in the meantime assemble the rear end parts (12), (13) & Glazing part (C). Fit Front Bumper (11) and Headlights (I) to Front End (1). Now fit Front End (1) to Floor (5) and Rear End (12) to Rear Floor (7). Allow assembly to dry having first checked for a good square fit. Glue (8) to the back of the Driver's Seat.

Single Door Version only: Now Cement (9) in place.

Dual Door Version only: Now Cement (10) in place aligning with the seats on the opposite side.

DIAGRAM 3

Single Door Version only: Cement into place glazing parts (D), (E), (F) & (H) on near side of (14). Allow to dry.

Dual Door Version only: Cement into place glazing parts (D), (E), (G) & (H) on near side of (15).

M 140409

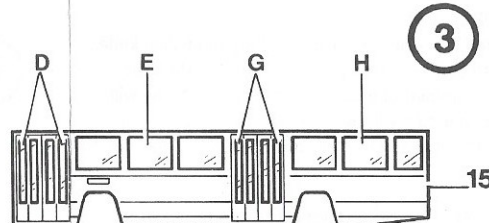
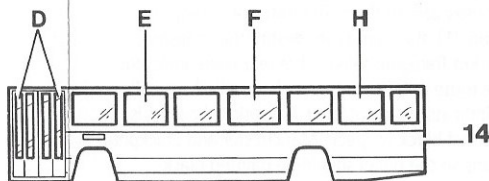
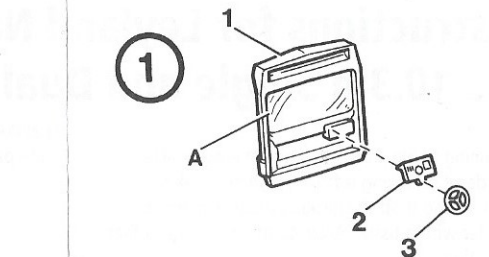


DIAGRAM 4

Fit Near Side either (14) or (15) to body assembly. Check for a good square fit and glue into place. The Roof (16) can now be cemented in place. If required the short or long roof pod can now be assembled and fitted. Allow to dry.

DIAGRAM 5

Turn the assembled body upside down. Fit Hub Caps (25) & (26) to the Front & Rear Wheels (21) & (24). The Rear Wheel Mounting (22) should be cemented vertically in place against the locating ribs. Allow to dry and in the meantime fit the inner and outer rear wheels (23) & (24) together. Now fit Rear Wheels to (22). Cement Front Axle (20) in place and Front Wheels to the Axle. Allow time to dry thoroughly before standing the vehicle on its wheels. Complete painting of all exterior parts and when thoroughly dry apply transfers.

This product is guaranteed in accordance with the high quality for which Peco is world renowned. If however, there should be any cause for dissatisfaction, please return it directly to Peco together with this leaflet after filling in the details below. This guarantee in no way affects your statutory rights as a consumer. Should you require further information you are invited to write to the Peco Technical Advice Bureau at the address overleaf.

NAME

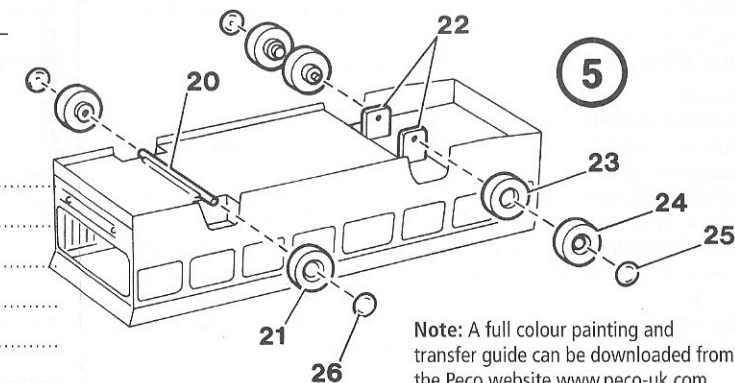
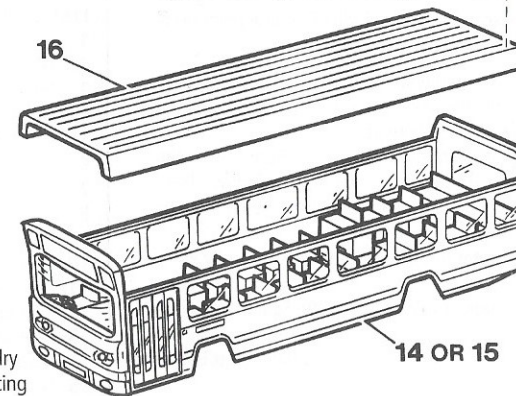
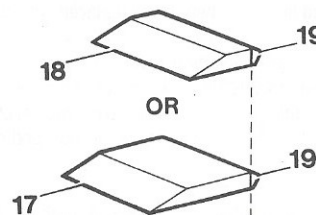
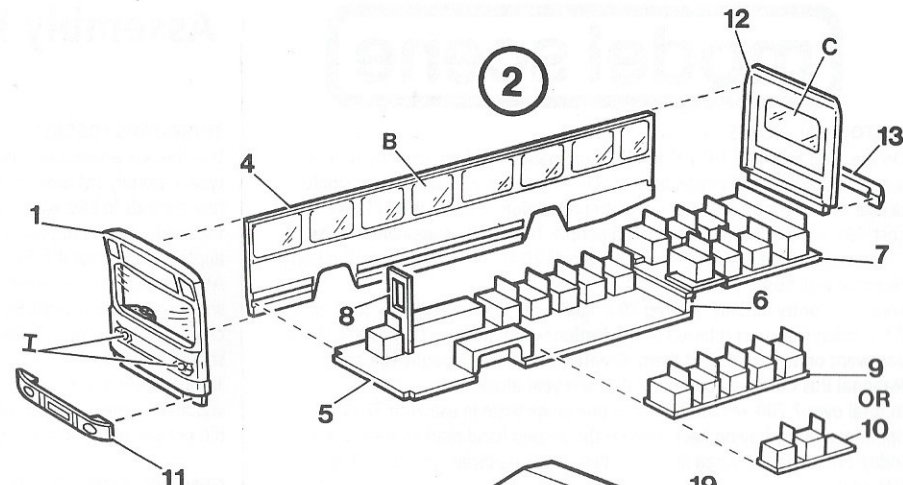
ADDRESS

.....

.....

RETAILER

DATE PURCHASED



Note: A full colour painting and transfer guide can be downloaded from the Peco website www.peco-uk.com