

# GERMAN TRUCK

## opel 3,6 ambulance



### H-2308

#### SPECIFICATION

##### GENERAL - DIMENSIONS

LENGTH: 6,10 M.

HEIGHT: 2,25 M.

WIDTH: 2,27 M.

WHEEL BASE: 3,60 M.

ENGINE: OPEL 3,6 L., 6 CYLINDERS, 3,626 C.C.

BRAKES: HYDRAULIC.

CONSTANT YIELD: 68 BHP AT 3,000 RPM.

TRANSMISSION: 5F1R X 2.

WEIGHT: 2,810 KGS; PAYLOAD: 3,290 KGS.

SPEED: MAX. 85 KM/H.

FUEL CONSUMPTION: 25 L. X 100 KM. ON ROADS;  
35 L. X 100 KM. CROSS-COUNTRY.

RADIUS OF ACTION: 320 KM. ON ROADS; 230 KM. CROSS-COUNTRY.

FORDING DEPTH: 500 MM.

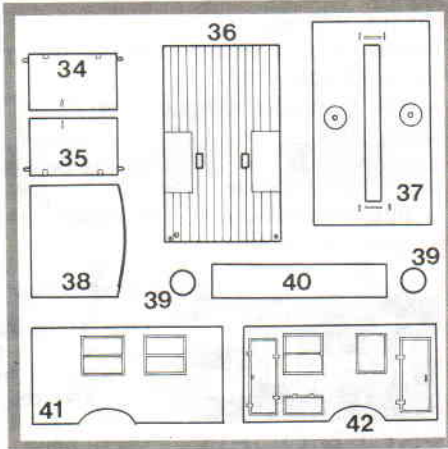
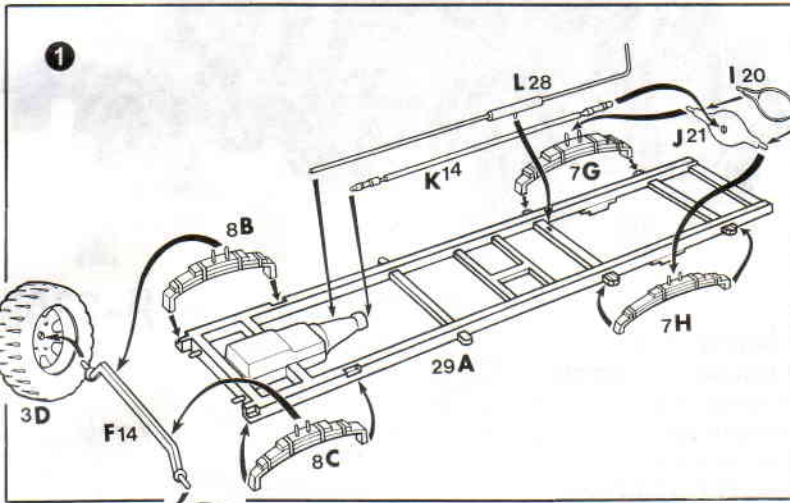
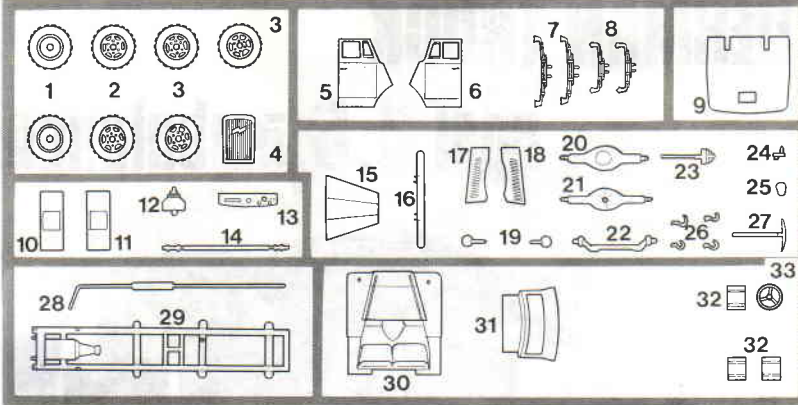
1/72

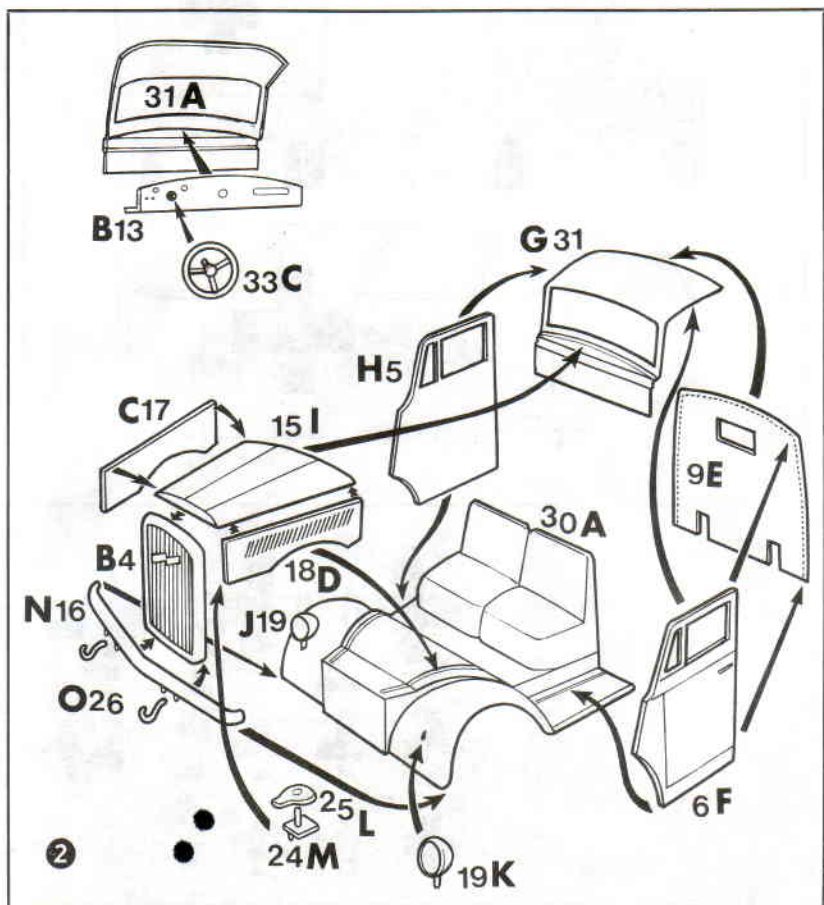
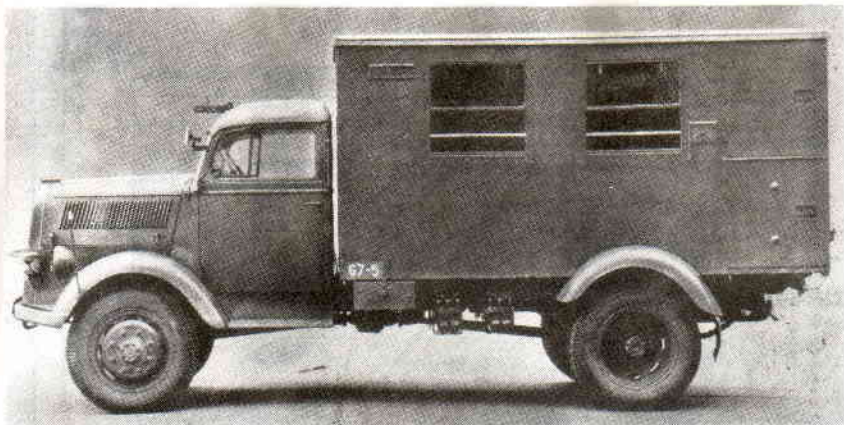
#### PERFORMANCE

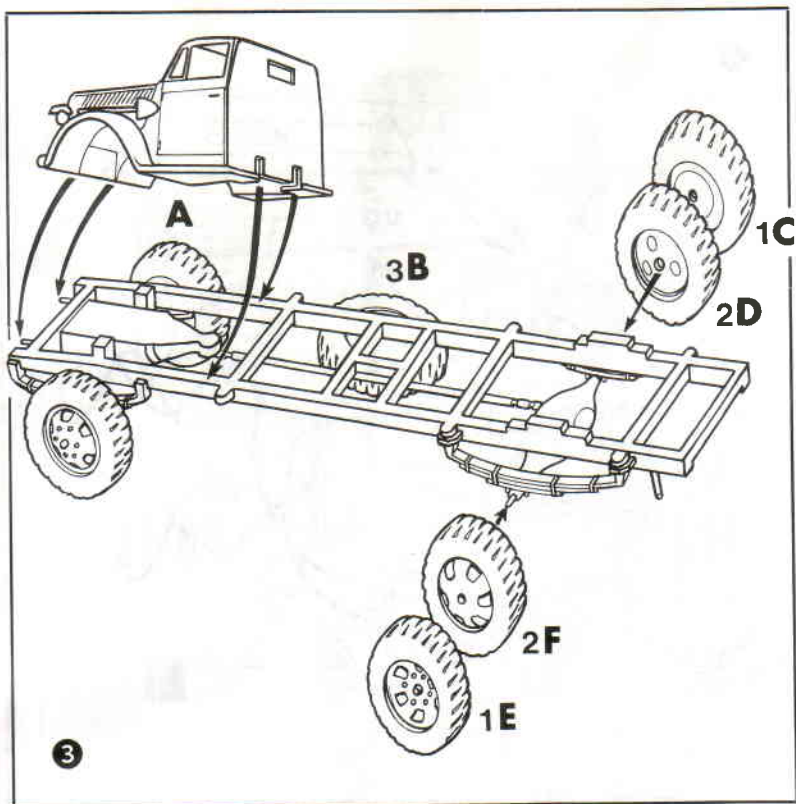
FIVE FORWARD SPEEDS AND REVERSE;  
REAR DRIVE; DRY SINGLE-PLATE CLUTCH;  
TYP 3,6-36S FROM 1937/1944  
TYP 3,6-6700A FROM 1940/1944  
TYP 3,6-47 FROM 1939/1944.  
REAR DRIVE; DRY SINGLE-PLATE CLUTCH;



ESCI-MODELL









4

