

## CZECHOSLOVAK WWII AIRCRAFT 1:72 SCALE PLASTIC KIT



eduard

### intro

**ProfiPACK**

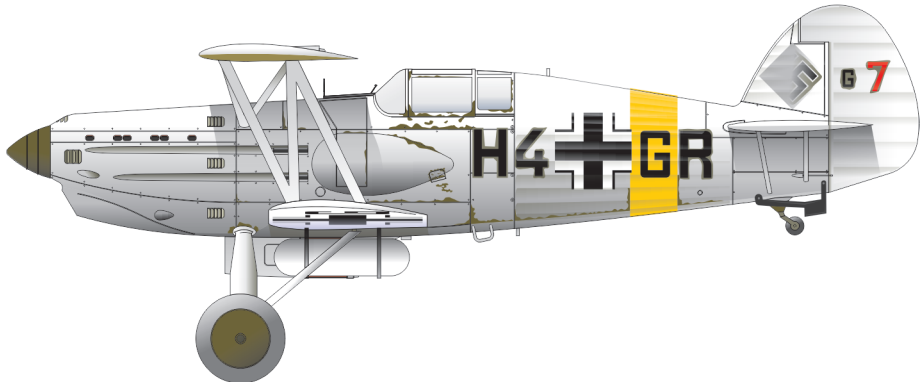


The Avia B.534 was developed in 1934 as an extension of the B.34 fighter. In this incarnation, which was produced in small numbers for the Czechoslovak Air Force (the majority of which were attached to No.3 Fighter Regiment in Slovakia at the beginning of the Second World War), there were several engine/airframe combinations tried. The B.234 prototype served as the basis for the re-engined (Hispano Suiza 12 Ydrs for the original Avia R-29 radial) type that became the true B.534. This was the 1934 victor in a tender for a new standard fighter for the air force, and in June of that year, Avia received an order for an initial 34 aircraft. The orders accumulated to a total of 568 units, built in several production blocks.

Assessments of the aircraft are somewhat variable. At the time of its development, it was an aircraft that was technically sound and utilized progressive construction techniques, but by the time of the Munich Crisis, the technology was slowly but surely entering the realm of the obsolete. To top it off, the politics of the situation during the Crisis disallowed the chance of combat. The chance for combat missions to be flown didn't occur until a few years later, in 1941, in the services of the Slovak State, fighting for the side that had previously been the aggressor against which they were to stand. Slovak pilots flying the B.534 on the Eastern Front gained good results, and these can be viewed upon as being the climax of the career of the type. A year later, it was apparent that replacement by more modern types was necessary, and inevitable. Bulgarian attempts to combat Ploesti raiding B-24 Liberators with the B.534 was a failure, and the aging planes were not able to climb to the Liberator's operational altitudes. In Slovakia, as in Bulgaria, the type was destined for second line relegation.

Some of the remaining B.534s were destined for final operations within the Bulgarian Air Force in operations over Hungary in 1944, and with Slovakia during the several weeks long uprising against Germany (late August early November 1944). During the Slovak National Uprising, the type was used primarily in the ground attack role, and one did manage a kill to become what is the last aerial victory of a biplane in history. It should be noted that the kill in question was that of a Hungarian transport. The fact remains that the Slovak National Uprising did end up being the swansong of the Avia B.534. Certainly, it can be said that due to the era and climate of the service of this aircraft, and the length of service it was able to achieve, the Avia B.534 has become one of the most profound symbols of Czechoslovak aviation history, a very positive symbol.

Our model was influenced by these facts, and what the type means to us. We developed the kit with diligence and scrutiny, employing the most modern manufacturing technology at our disposal. In that sense, we have something in common with the original developers of the type all those years ago, and we hope that this fact will make our tribute to this aesthetically pleasing type longer lasting than the older big brother.



ATTENTION



UPOZORNĚNÍ



ACHTUNG



ATTENTION



注意



Carefully read instruction sheet before assembling. When you use glue or paint, do not use near open flame and use in well ventilated room. Keep out of reach of small children. Children must not be allowed to suck any part, or pull vinyl bag over the head.



Před započatím stavby si pečlivě prostudujte stavební návod. Při používání barev a lepidel pracujte v dobře větrané místnosti. Lepidla ani barvy nepoužívejte v blízkosti otevřeného ohně. Model není určen malým dětem, mohlo by dojít k požití drobných dílů.

INSTRUCTION SIGNS \* INSTR. SYMBOLS \* INSTRUKTION SINNBILDEN \* SYMBOLES \* 記号の説明

OPTIONAL  
VOLBABEND  
OHNOUTOPEN HOLE  
VYVRTAT OTVORSYMETRICAL ASSEMBLY  
SYMETRICKÁ MONTÁŽNOTCH  
ZÁREZREMOVE  
ODRÍZNOUTAPPLY EDUARD MASK  
AND PAINT  
POUŽÍ EDUARDS MASK  
NABARVIT

PARTS



DÍLY



TEILE

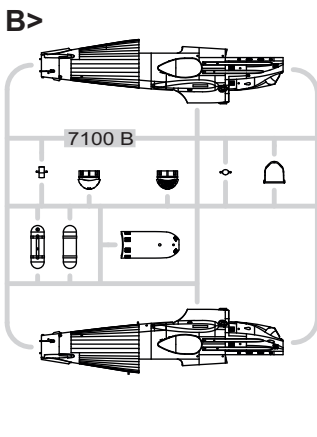
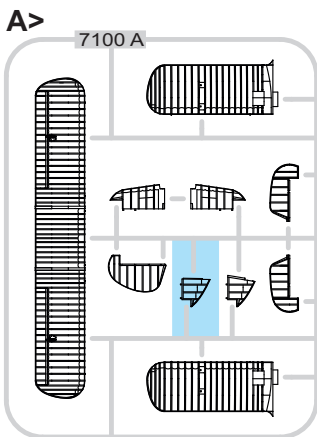
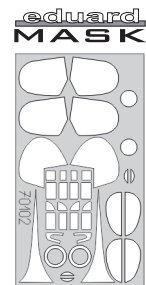
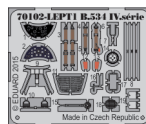


PIĚCES

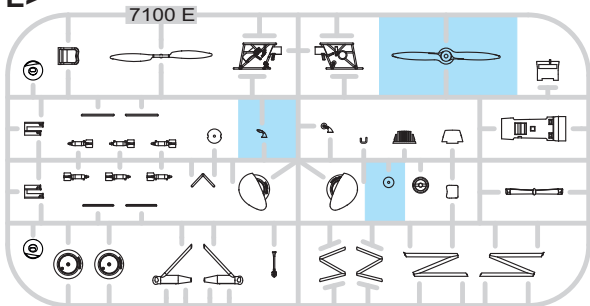


部品

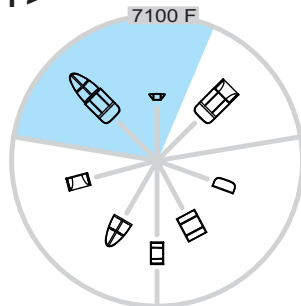
## PLASTIC PARTS

PE - PHOTO ETCHED  
DETAIL PARTS

E&gt;



F&gt;



-Parts not for use. -Teile werden nicht verwendet. -Pièces à ne pas utiliser. -Tyto díly nepoužívejte při stavbě. - 使用しない部品

COLOURS



BARVY



FARBEN



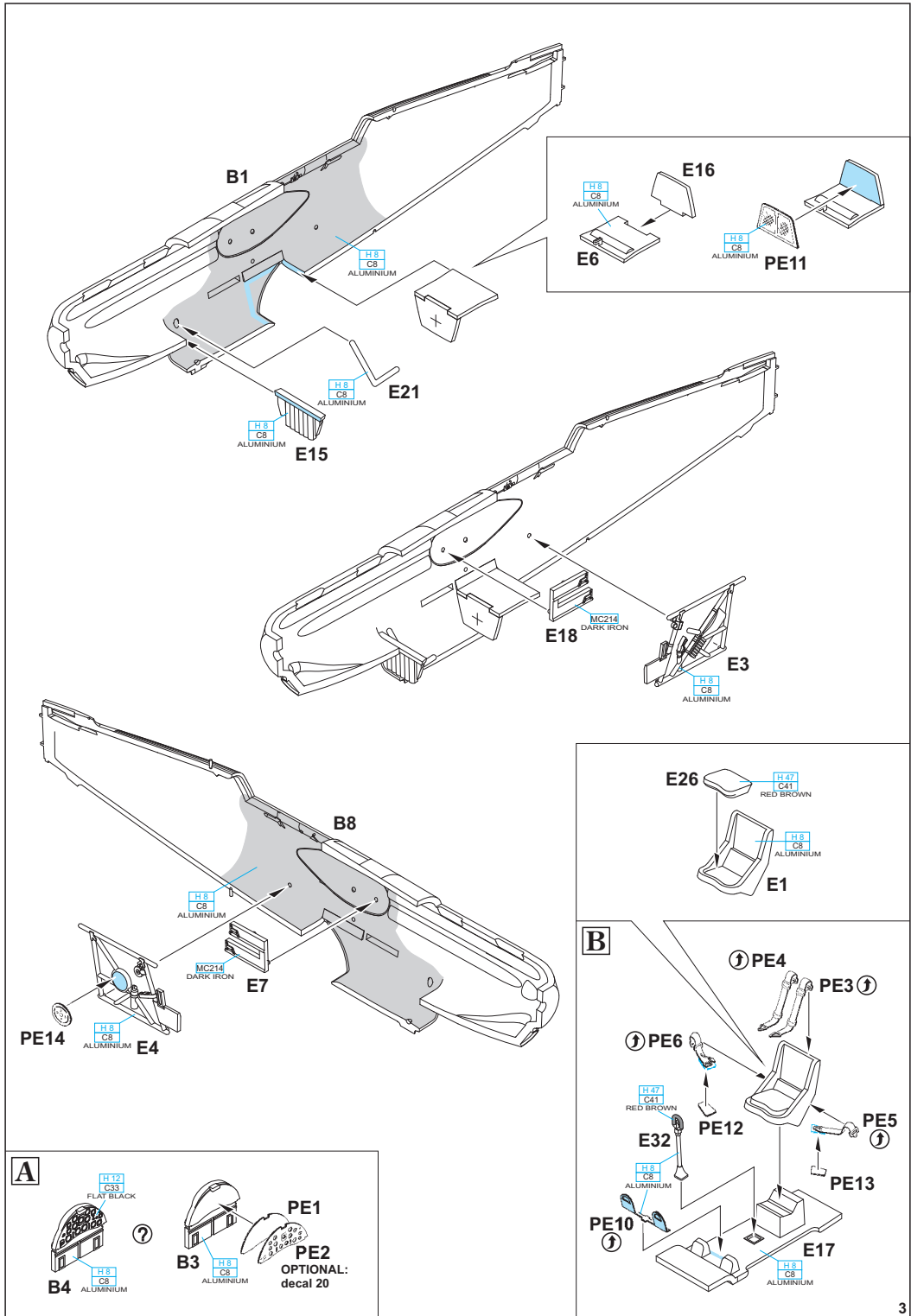
PEINTURE

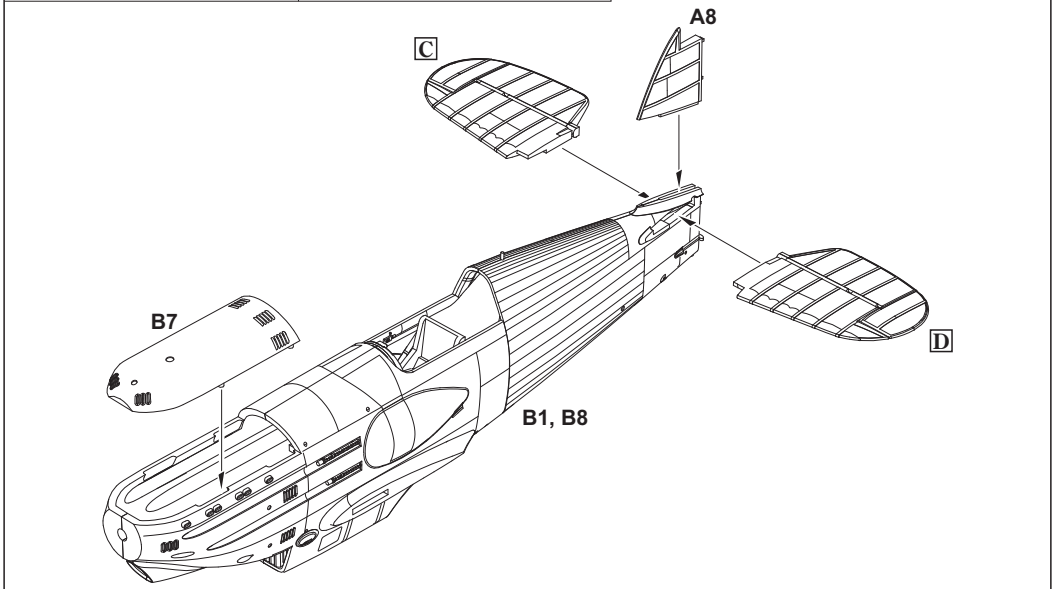
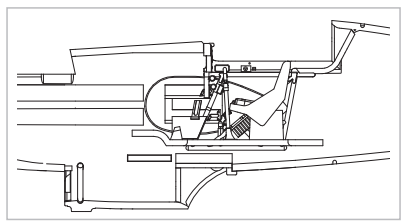
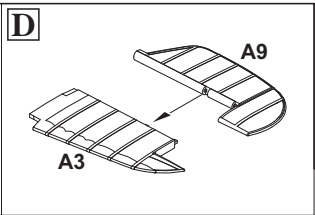
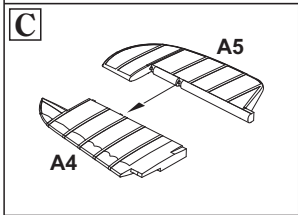
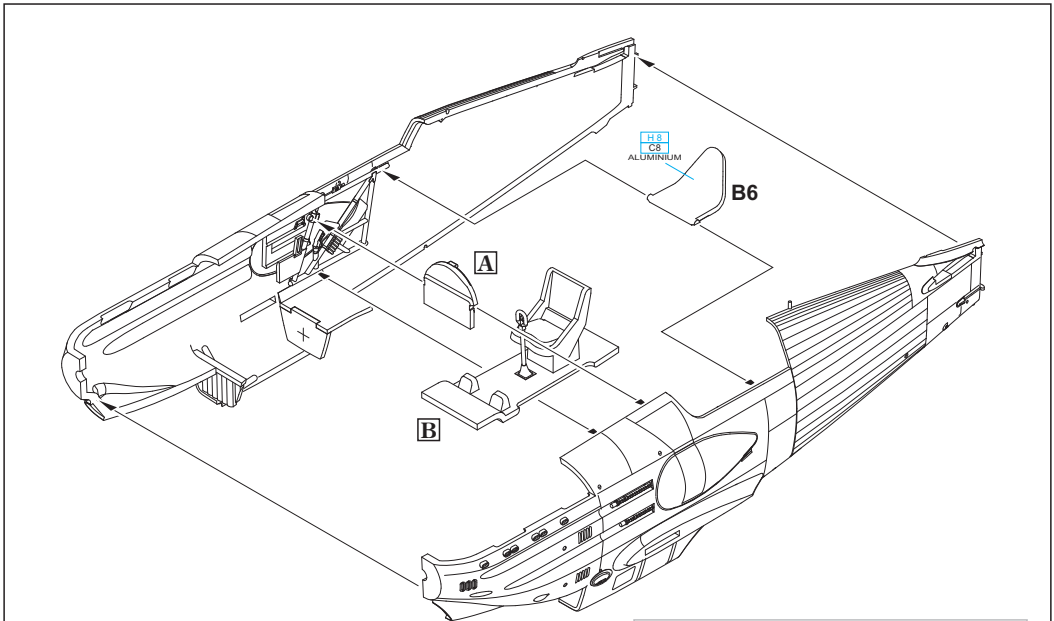


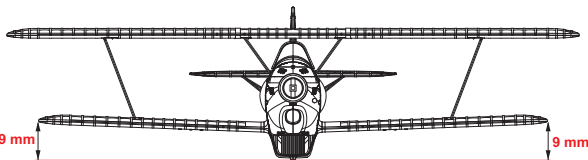
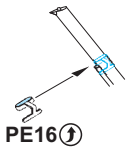
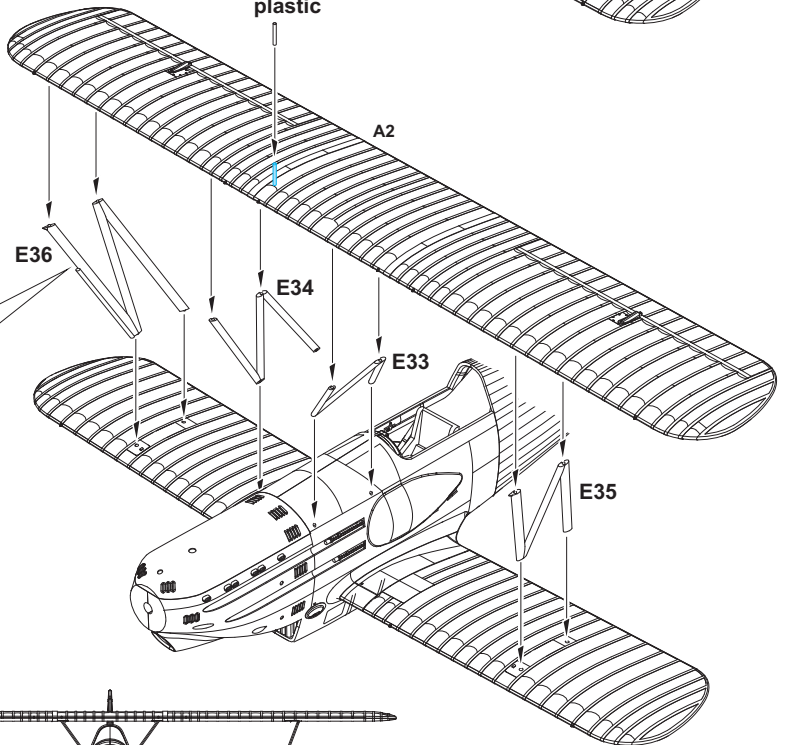
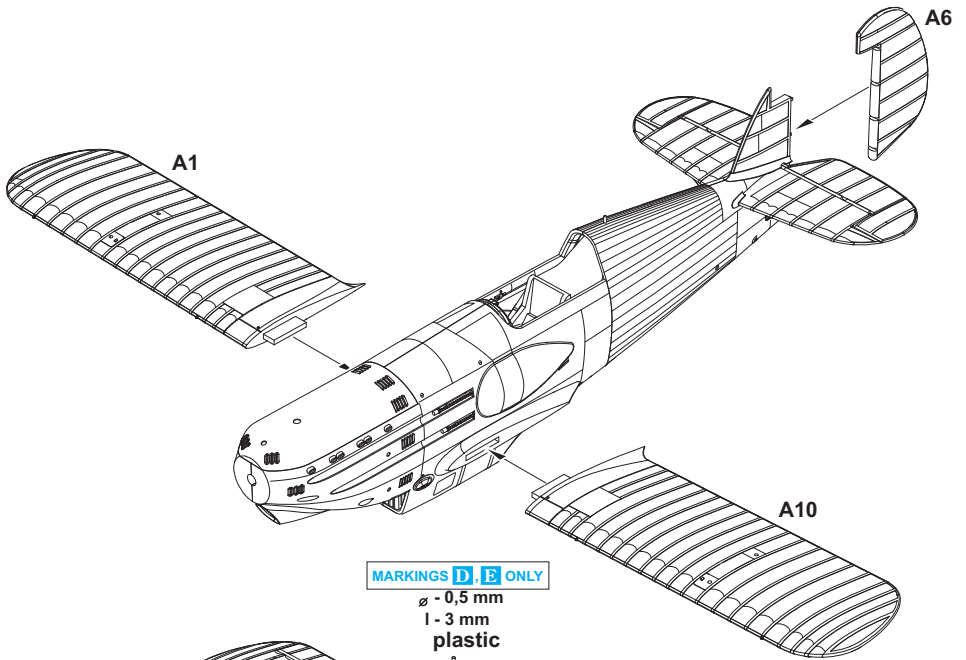
色

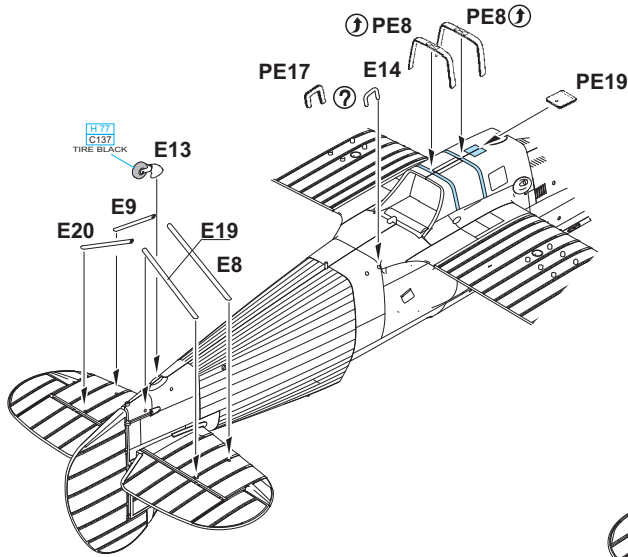
GSI Creos (GUNZE)		
AQUEOUS	Mr.COLOR	
H 4	C4	YELLOW
H 5	C5	BLUE
H 6	C6	GREEN
H 8	C8	SILVER
H 11	C62	FLAT WHITE
H 12	C33	FLAT BLACK
H 28	C78	METAL BLACK
H 47	C41	RED BROWN
H 51	C11	LIGHT GULL GRAY
H 64	C17	DARK GREEN RLM71
H 67	C115	LIGHT BLUE RLM65

AQUEOUS	Mr.COLOR	
H 77	C137	TIRE BLACK
H 81	C55	KHAKI
H 327	C327	RED
H 334	C334	BARLEY GRAY
H 336	C336	HEMP
H 413	C113	YELLOW RLM04
Mr.COLOR SUPER METALLIC		
SM011		SUPER FINE SILVER
Mr.METAL COLOR		
M214		DARK IRON
M216		COPPER

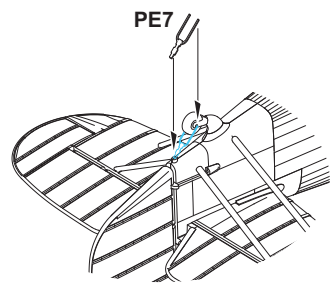




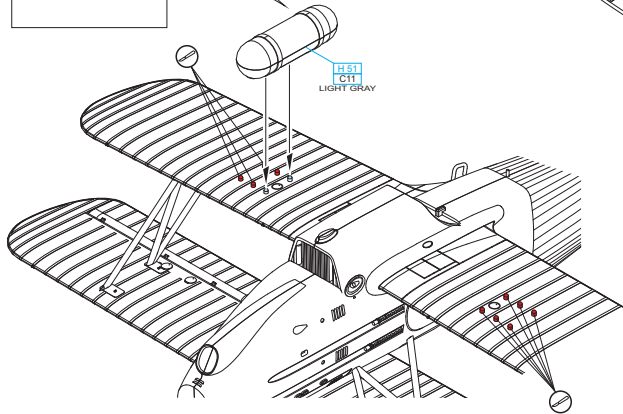
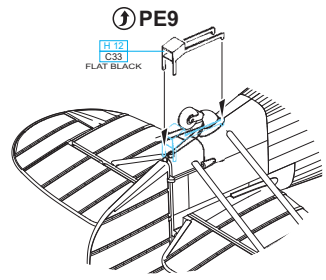
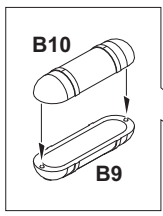


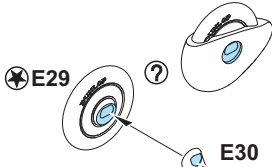
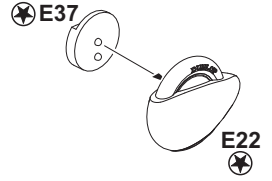
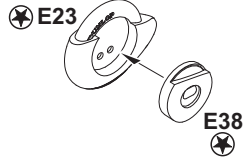


MARKING C ONLY



MARKING B ONLY





MARKING  
A ONLY

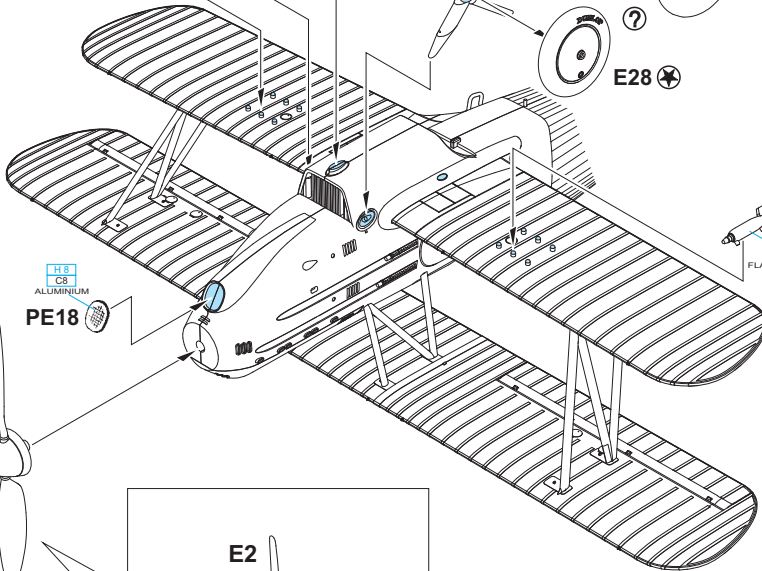
3 pcs.  
E10

H12  
C33 ? H12  
C17  
FLAT BLACK DARK GREEN

E27

E31

E28



MARKING  
A ONLY

3 pcs.  
E10

H12  
C33 ? H12  
C17  
FLAT BLACK DARK GREEN

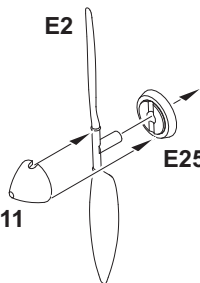
H8  
C8  
ALUMINIUM  
PE18

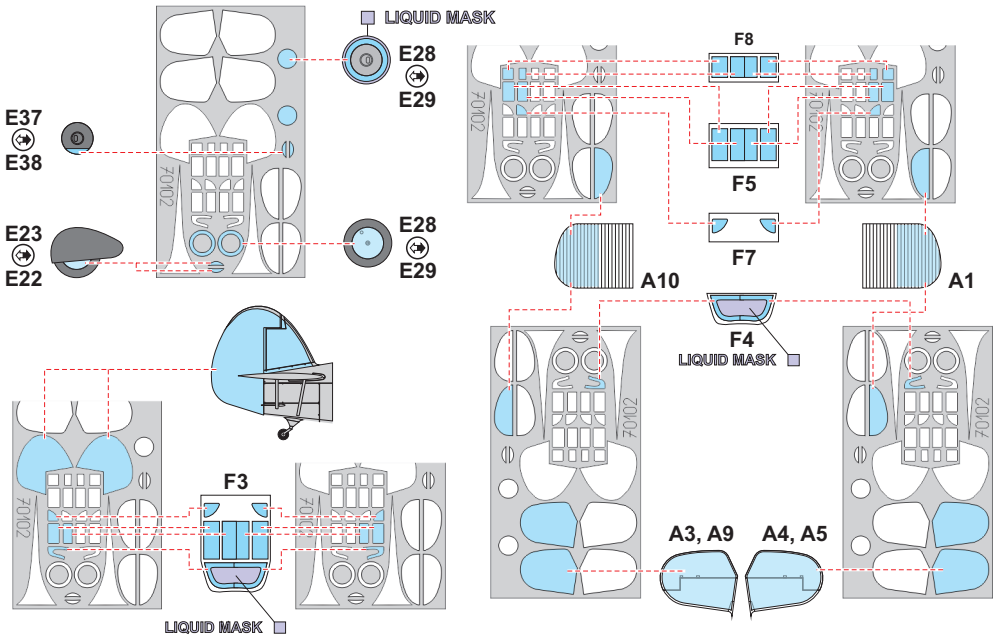
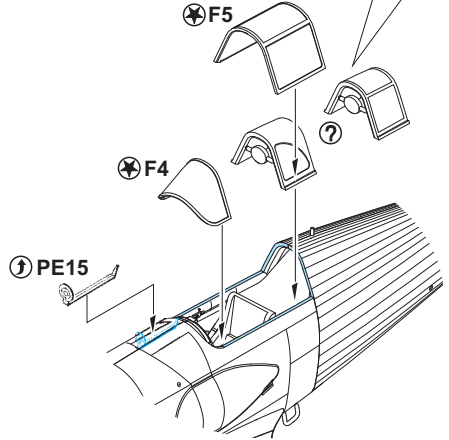
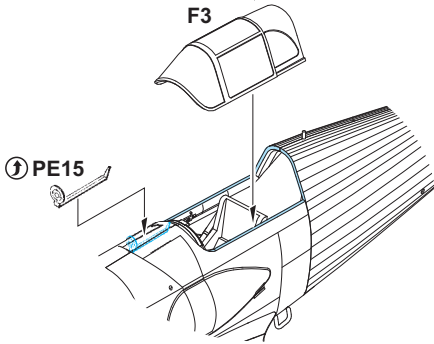
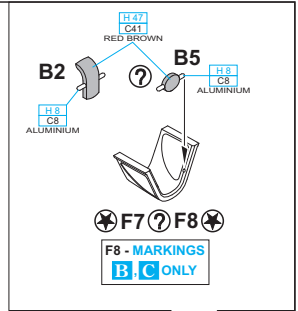
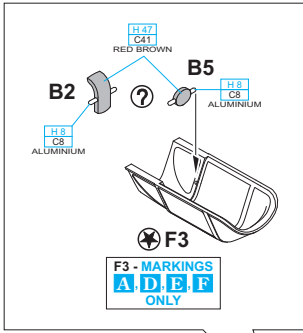
E

E2

E25

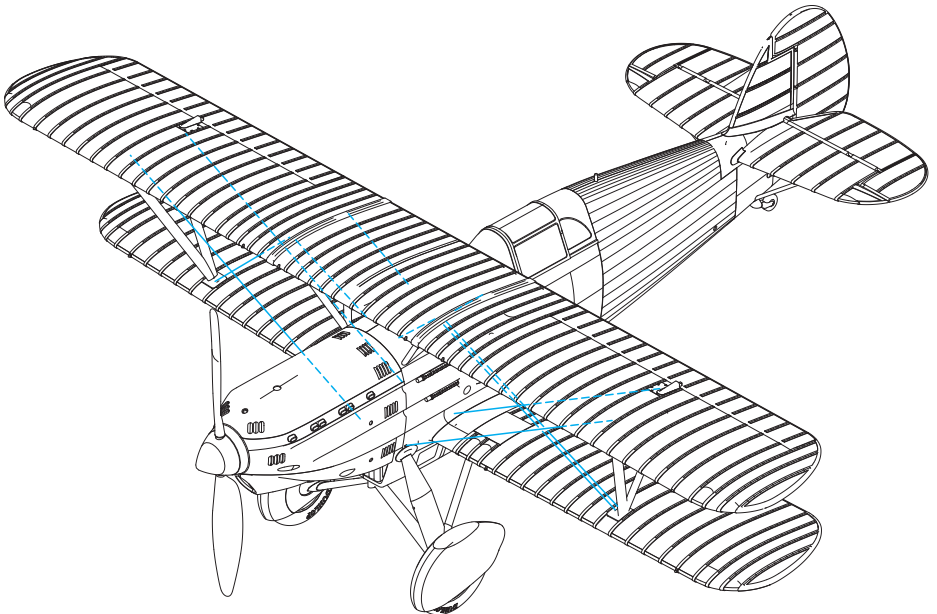
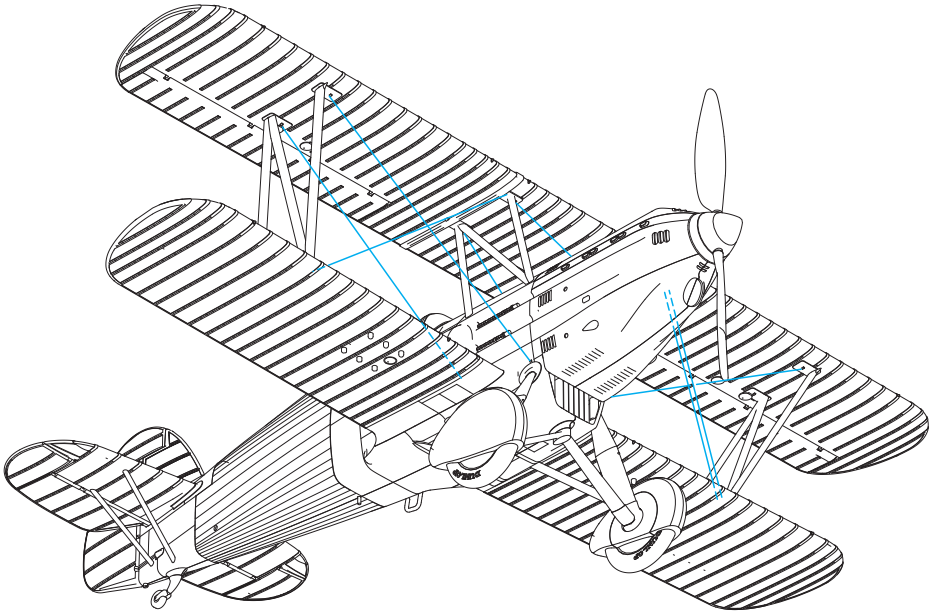
E11





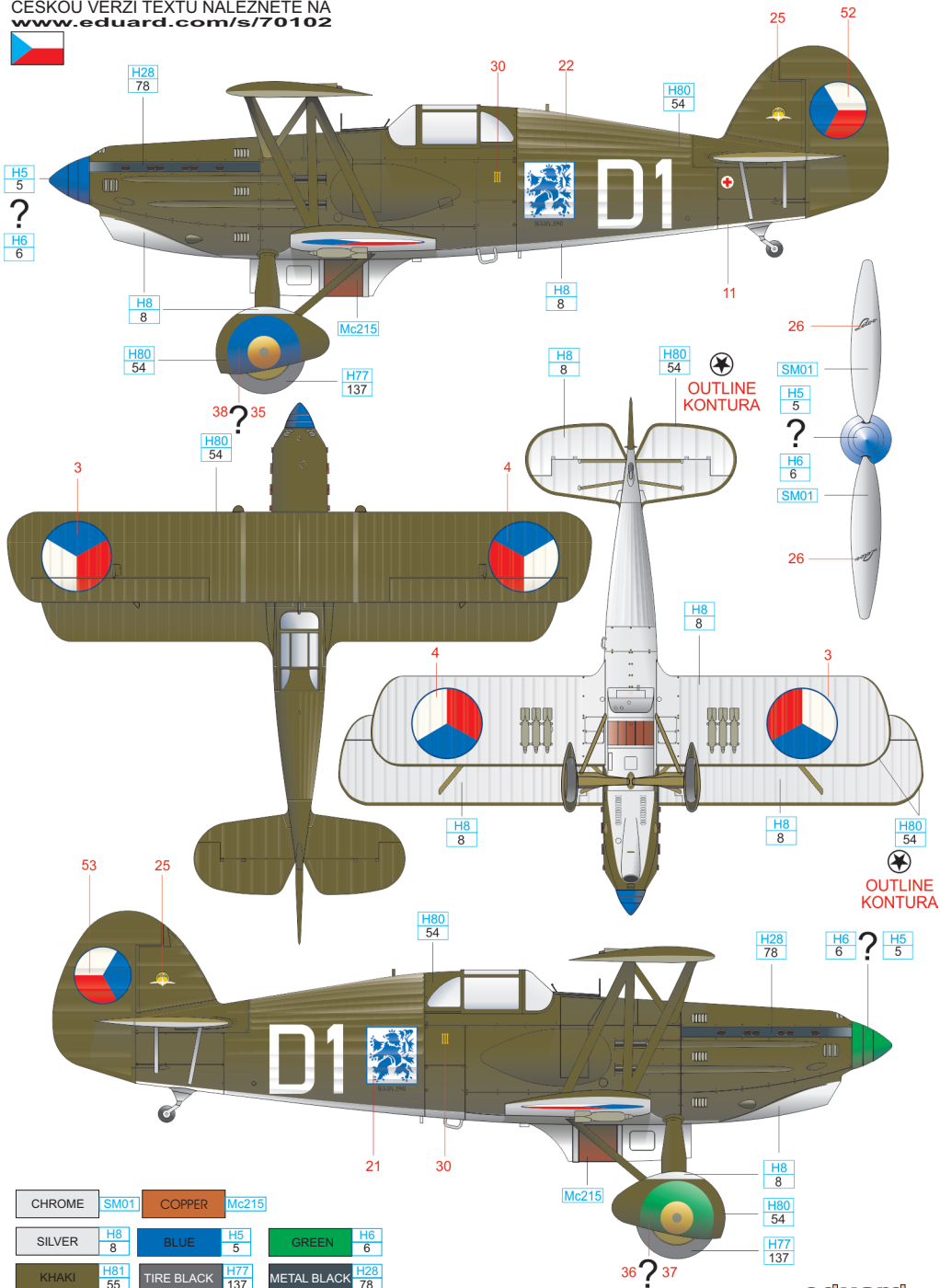


# RIGGING DIAGRAM



**A** Avia B.534 4th version, 4th Air Regiment, No. 34 Squadron, Hradec Králové, Czechoslovakia, summer 1937

ČESKOU VERZI TEXTU NALEZNETE NA  
www.eduard.com/s/70102



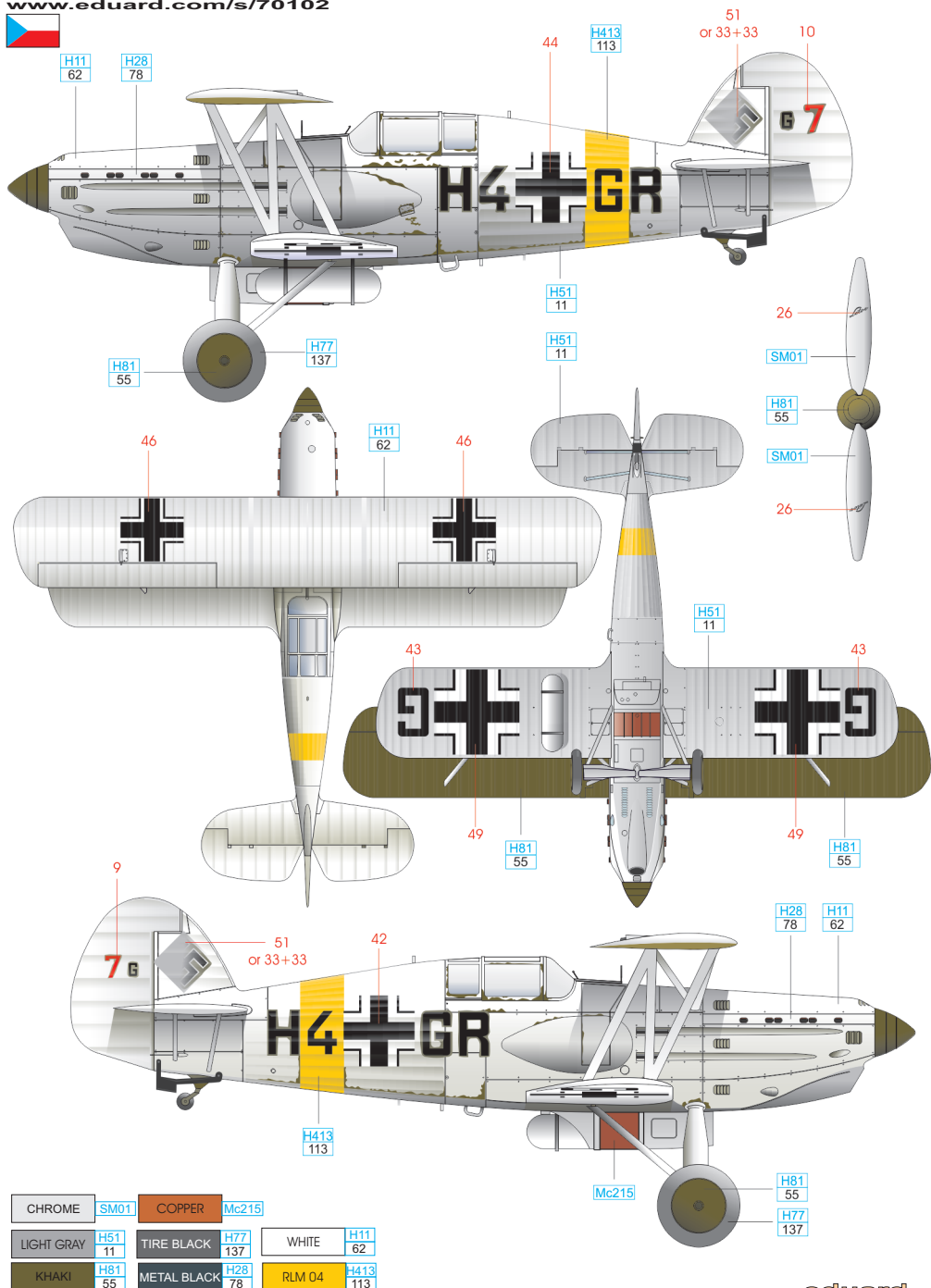
CHROME SM01 COPPER Mc215

SILVER H8 8 BLUE H5 5 GREEN H6 6

KHAKI H81 55 TIRE BLACK H77 137 METAL BLACK H28 78

# B Avia B.534 4th version, 7./LLG 1, Eastern Front, winter 1942/1943

ČESKOU VERZI TEXTU NALEZNETE NA  
[www.eduard.com/s/70102](http://www.eduard.com/s/70102)



CHROME	SM01	COPPER	Mc215
LIGHT GRAY	H51 11	TIRE BLACK	H77 137
KHAKI	H81 55	METAL BLACK	H28 78
		RLM 04	H413 113
		WHITE	H11 62

## C Avia B.534 4th version, No. 6 Fighter Squadron (Jato), Karlovo airfield, 1941 - 1942

This Bulgarian aircraft crashed during military manoeuvres of the 6th Regiment at the Daskal Atanasovo airfield, on August 14th, 1942. At that time, the aircraft had already changed colour scheme, with deleted yellow identification symbols on wings and tail surfaces. A tactical number was also added to the outboard surface of the lower wing. Decals are supplied to allow to both versions of marking scheme to be built.

ČESKOU VERZI TEXTU NALEZNETE NA  
[www.eduard.com/s/70102](http://www.eduard.com/s/70102)



H4  
4

39 ? H4  
4

H64  
17

41

29



H64  
17

Mc215

H77  
137

H67  
115

47

H12  
33

H67  
115

H4  
4

H12  
33

45

H64  
17

45

H67  
115



34?

45

H4  
4

28

07 X

H64  
17

45

H64  
17

**OUTLINE  
KONTURA**

50

41

H64  
17

50

H4  
4

40 ? H4  
4

Mc215

H64  
17

H77  
137

BLACK H12  
33

COPPER Mc215

YELLOW H4  
4

RLM65 H67  
115

RLM71 H64  
17

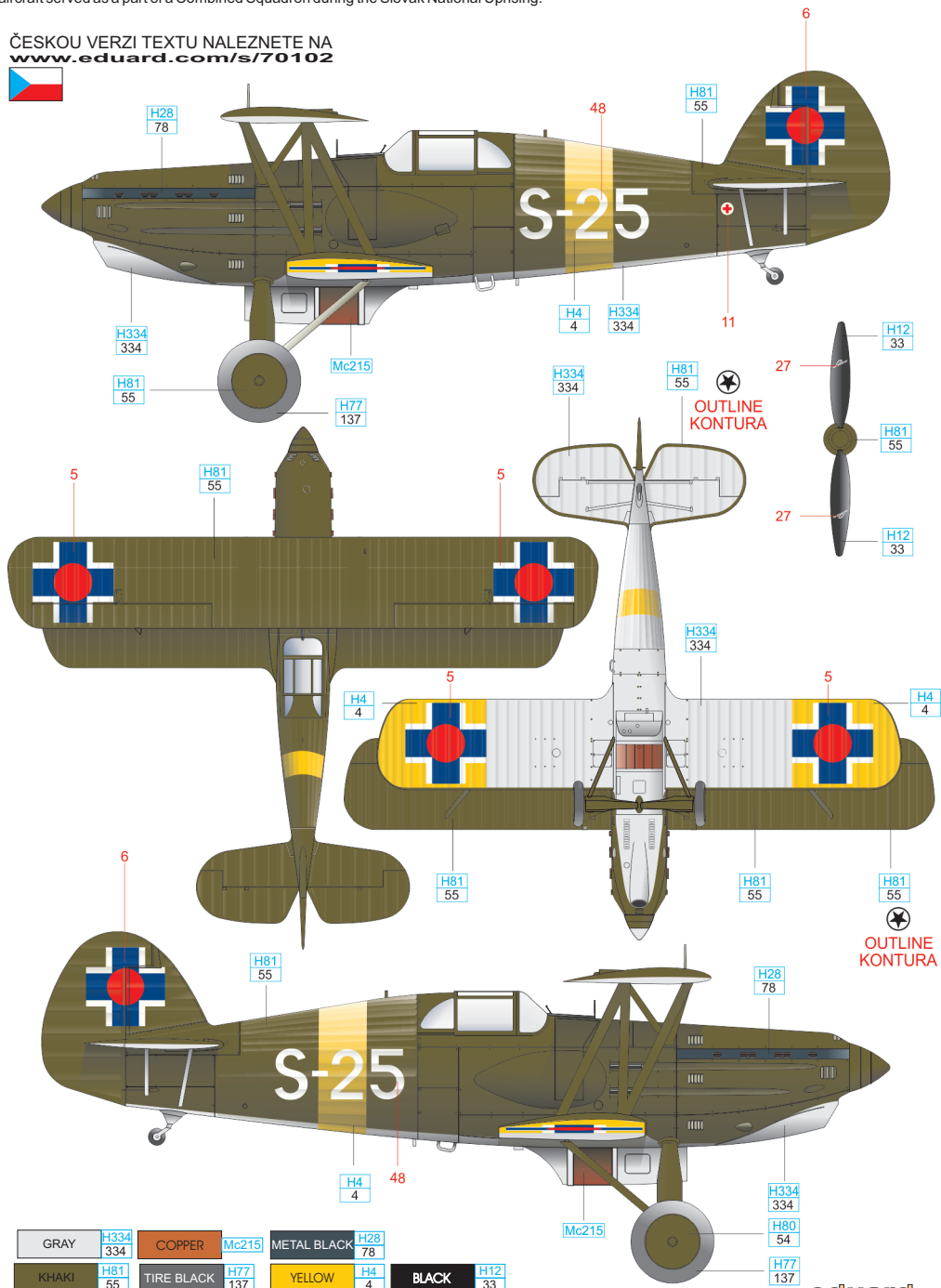
TIRE BLACK H77  
137

**eduard**

# D Avia B.534 4th version, Slovak Air Force, 1944

The Avia B-534 was in service with the Slovak Air Force until 1944, when a group of 26 planes were flown to the Soviet side of the front line. This aircraft served as a part of a Combined Squadron during the Slovak National Uprising.

ČESKOU VERZI TEXTU NALEZNETE NA  
www.eduard.com/s/70102



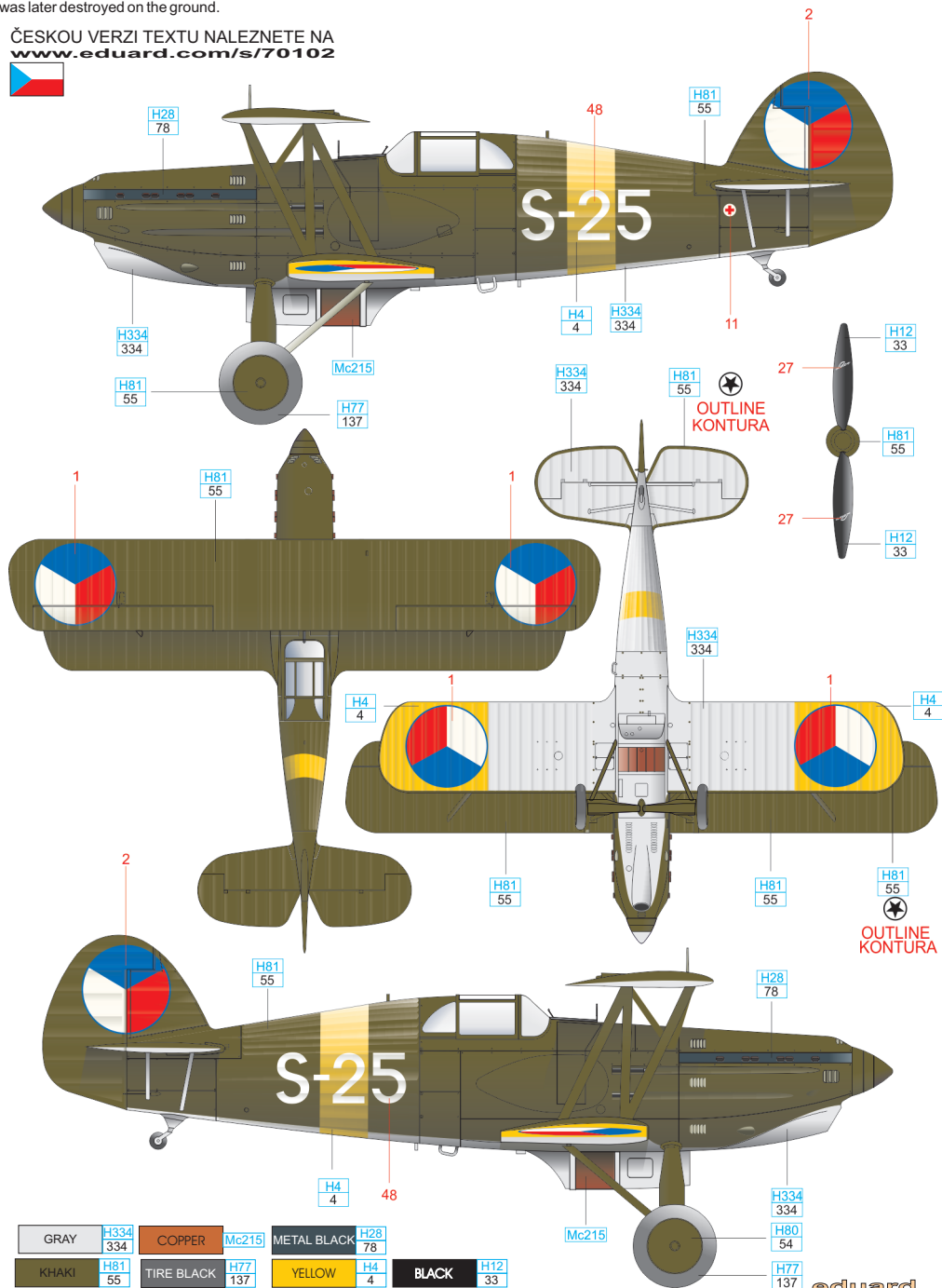
GRAY	H334 334	COPPER	Mc215	METAL BLACK	H28 78
KHAKI	H81 55	TIRE BLACK	H77 137	YELLOW	H4 4
				BLACK	H12 33

eduard

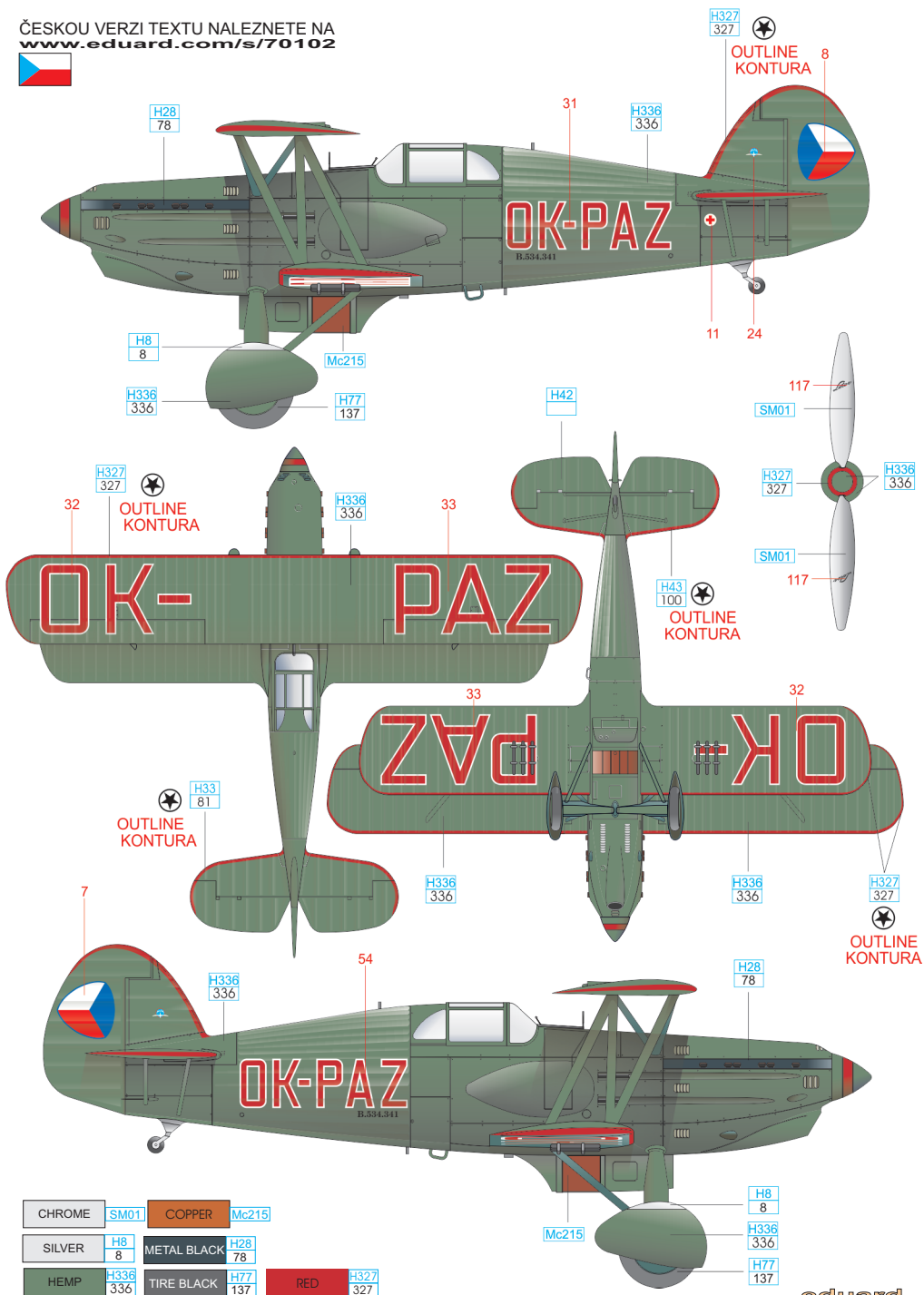
# E Avia B.534 4th version, Slovak National Uprising, Combined Squadron, 1944

The original Slovak insignia on this aircraft, was overpainted with Czechoslovak ones, but with an incorrect orientation of the colour segments. The red segment was always oriented to the right side of the wings, whilst on the vertical fin and rudder, the blue segment was oriented upwards. This plane was later destroyed on the ground.

ČESKOU VERZI TEXTU NALEZNETE NA  
[www.eduard.com/s/70102](http://www.eduard.com/s/70102)



ČESKOU VERZI TEXTU NALEZNETE NA  
www.eduard.com/s/70102

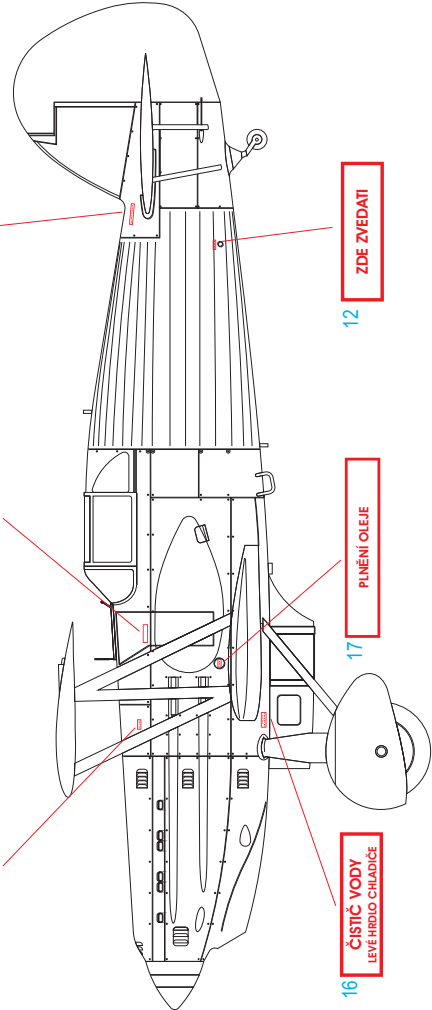


CHROME	SM01	COPPER	Mc215
SILVER	H8 8	METAL BLACK	H28 78
HEMP	H336 336	TIRE BLACK	H77 137
		RED	H327 327

19 ZDE DRŽETI PŘI MOTOROVÉ ZKOUŠCE

13 PLNĚNÍ HASIČÍHO PŘÍSTROJE

15 PLNĚNÍ PALIVA

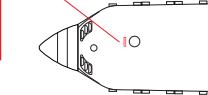


12 ZDE ZVEDATI

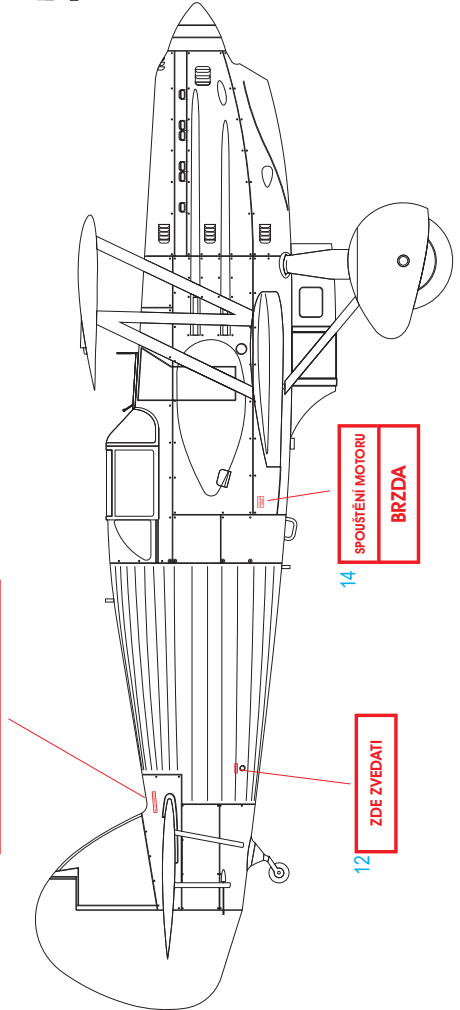
17 PLNĚNÍ OLEJE

16 ČISTIČ VODY  
LEVE HŘÍDLO CHLADIČE

18 PLNĚNÍ VODY



19 ZDE DRŽETI PŘI MOTOROVÉ ZKOUŠCE



14 SPOUŠTĚNÍ MOTORU  
BRZDA

12 ZDE ZVEDATI