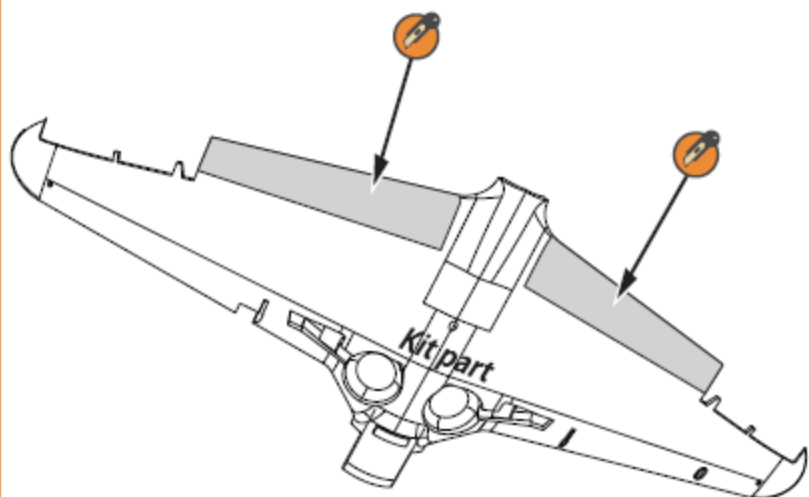
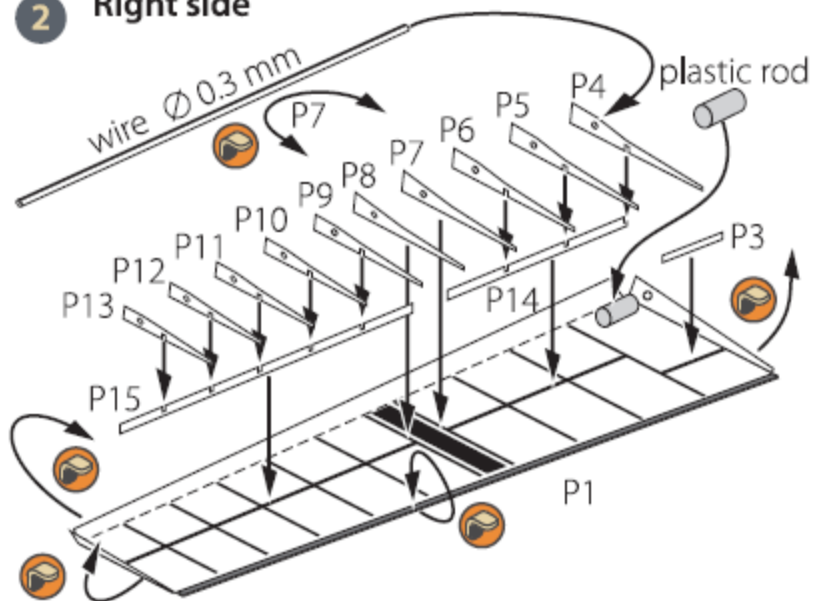


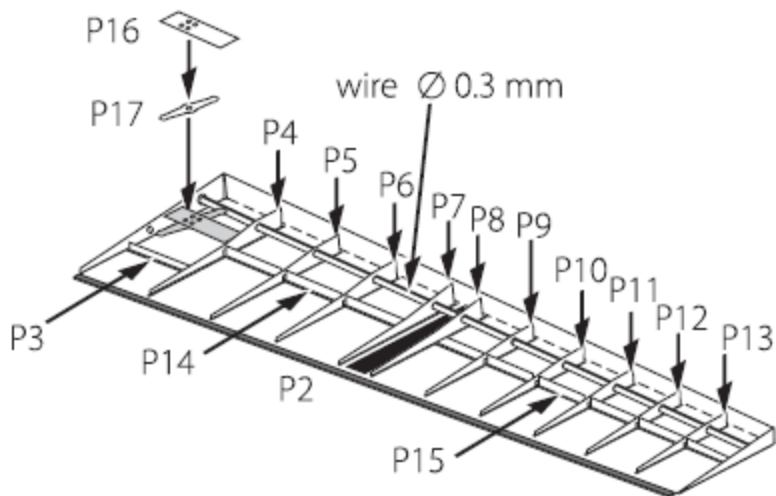
1



2 Right side

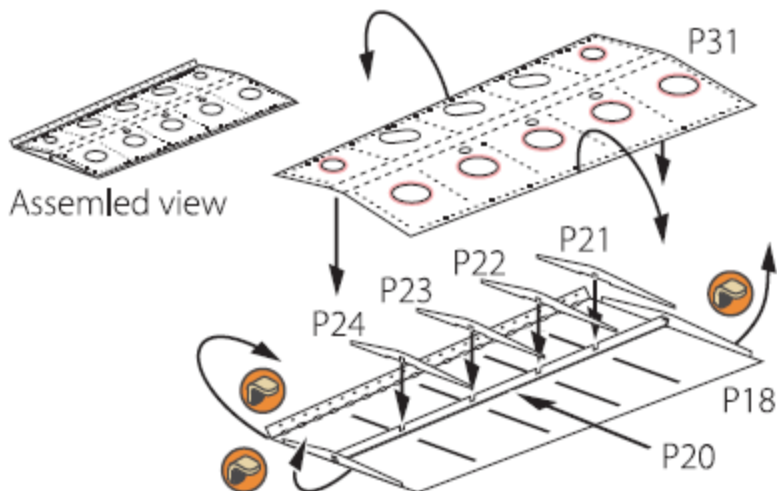


3 Left side



4 Left side

Press the holes marked pink with metal ball

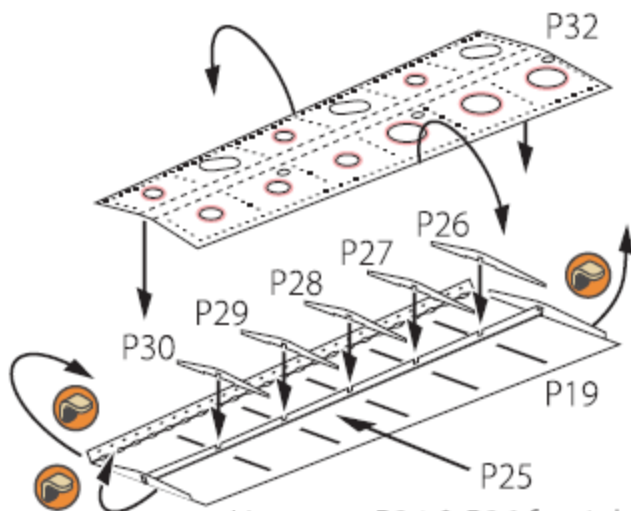


Assembled view

Use parts P33 & P35 for right side

5 Left side

Press the holes marked pink with metal ball



Use parts P34 & P36 for right side

6 Right side

