

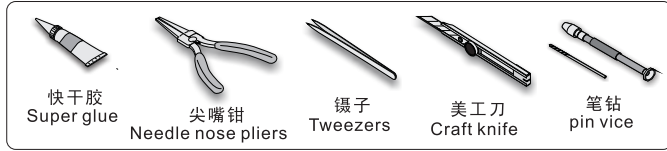
1/35 MILITARY MINIATURE VEHICLE UPGRADE SERIES PE35270

WWII German Aufklärungspanzer 38(t) mit 75mm Kw.K Armour plate

二战德军38(t) 75mm重火力侦查坦克装甲板改造件

[For DRAGON 6310]

■ 推荐使用工具 RECOMMENDED TOOLS



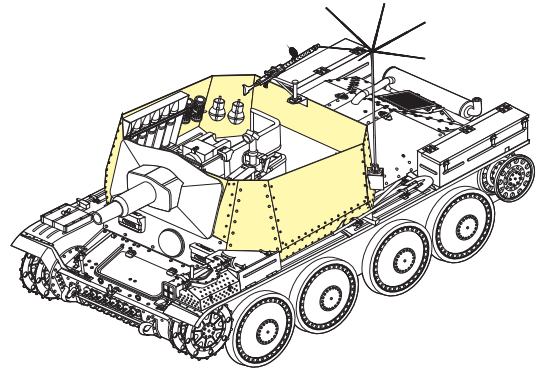
- 安装
install
 - 折叠
bend
 - A1**

改造件零件编号
PE/resin part number
 - B12**

原零件编号
kit part number
 - C22**

被替换的原零件编号
replaced kit part number
 - 选择安装
alternative
-
- x2**

制作若干组
multiple assembly
 - 另一侧相同制作
repeat on opposite side
 - 钻孔
drill
 - 用胶棒制作
make from plastic rod

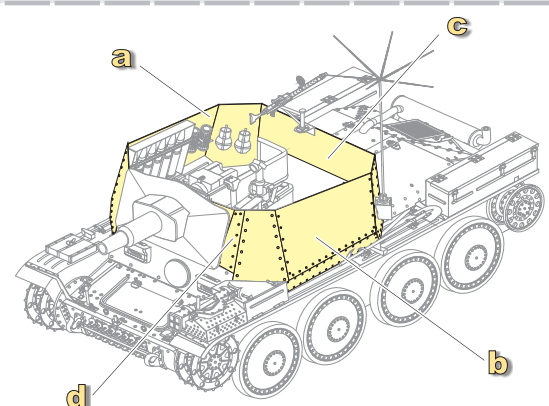
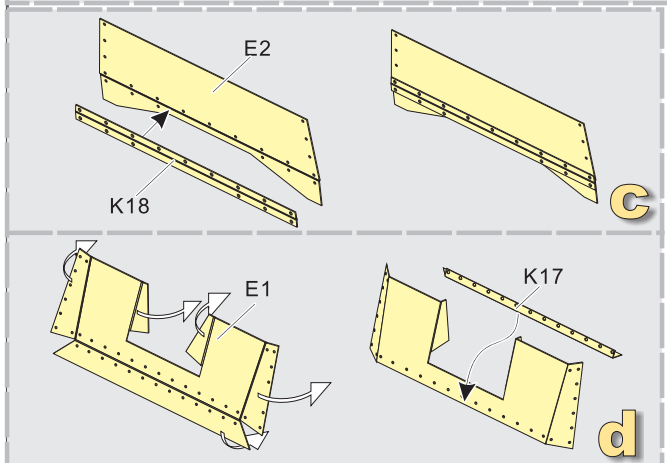
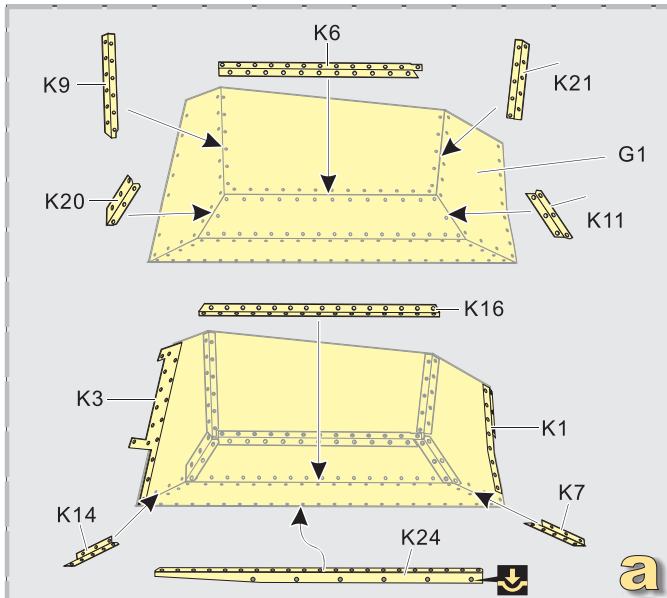


用尖端在凹槽处冲压
use penpoint to press on the dent

圆珠笔
Ballpen

蚀刻片零件内侧面向上
PE part inboard side turn up

用笔尖在凹槽处刮
Use penpoint scratch on the flute



装甲板外侧所有洞都穿铆钉
Fit metal rivets through each every hole on external armour plates

推荐 TE 037
VOYAGERMODEL TE 037
Recommended

P1
自制
Scratch build

VOYAGERMODEL® The Best Upgrade Solution	
无微不至 极尽享受	
Recommended item	
PE 35146	WWII German Pz.Kpfw.38(t) Fenders
PE 35269	WWII German Aufklärungspanzer 38(t) mit 75mm Kw.K
VBS 0309	WWII German 75mm KwK 37/StuK 37 Ammunition
VBS 0310	WWII German 75mm KwK 37/StuK 37 Ammunition Shell Case