



88101200200

DECALS

THE MOST ACCURATE DECALS
AVAILABLE TO THE SCALE MODELER

1/48 SCALE MASSTAB 1:48 ESCALA 1/48 1/48 ECHELLE

U.S. WW II / KOREA BOMB & ROCKET MARKINGS

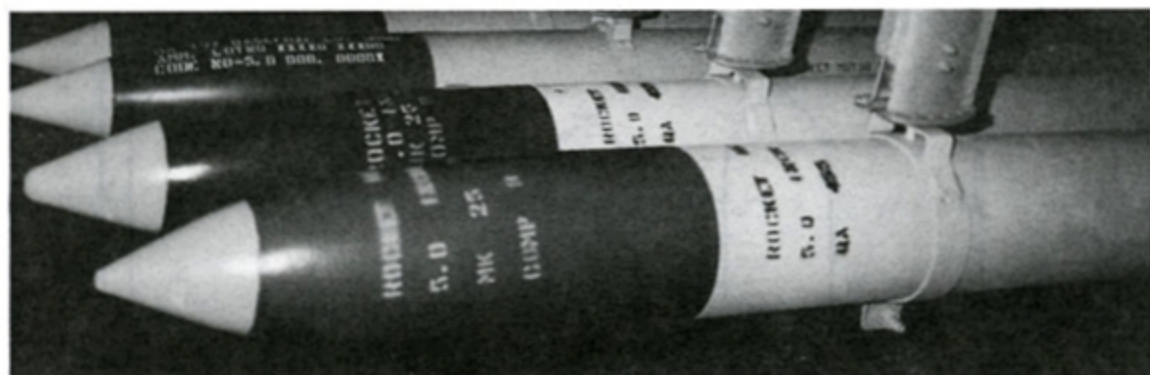
PROVIDES MARKING FOR 100, 250, 500, 1000, & 2000-POUND
BOMBS AND 5-INCH HVAR ROCKETS



250-POUND GENERAL PURPOSE BOMB



500-POUND GENERAL PURPOSE BOMB



MARKINGS ON 5-INCH HVAR ROCKETS

PHOTOS COURTESY OF DETAIL & SCALE, INC.

REVELL-MONOGRAM, INC.
MORTON GROVE, ILL.

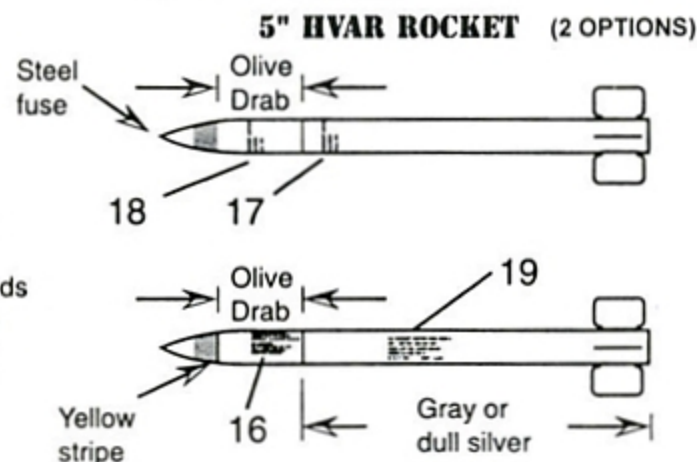
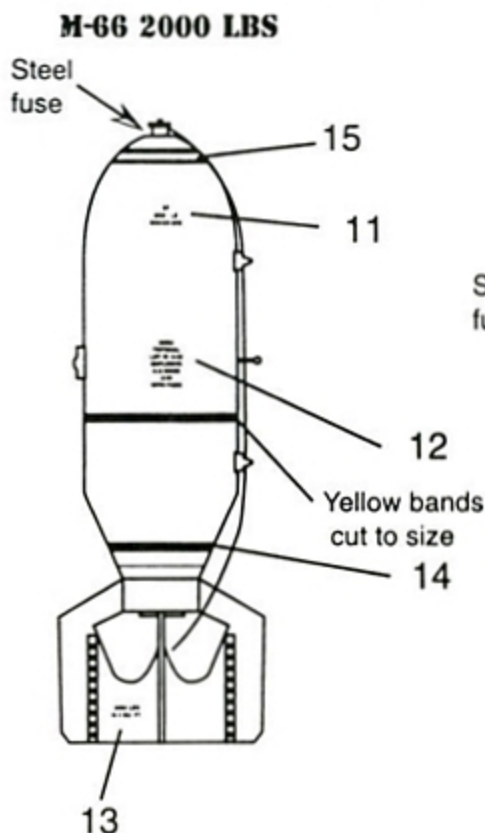
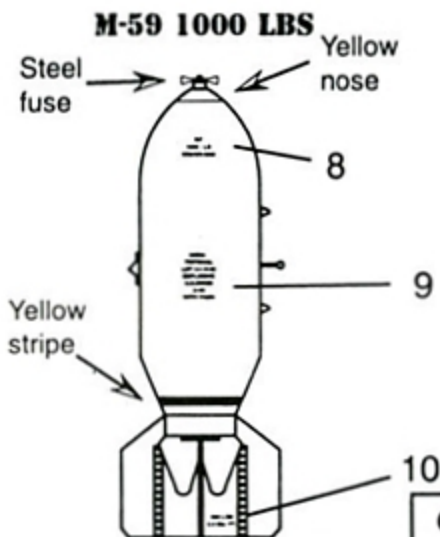
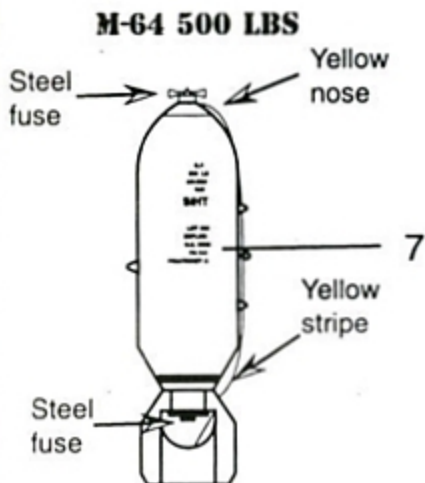
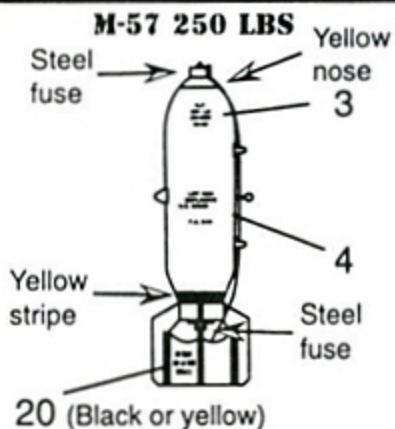
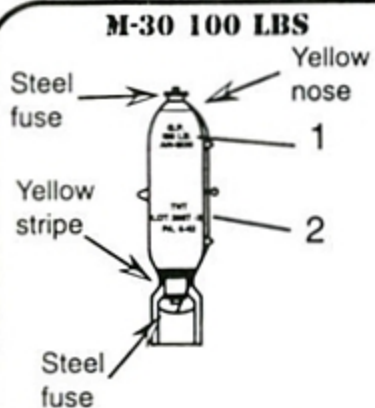
Copyright © 1996 All rights reserved. Made in the U.S.A.



0 765138012-2 9

U.S. WW II / KOREA BOMB & ROCKET MARKINGS 1/48

Data on the bombs differed depending on the manufacturer. These decals provide some alternate data for specific bombs but they have the same part number on the decal and are to be applied in the locations indicated by the instructions.



COLORS: Except for the specific notes, these weapons are painted olive drab.

Cut the yellow bands to these widths to wrap around the bombs.

M-30 100 LBS	.8847"
M-57 250 LBS	1.05"
M-64 500 LBS	1.03"
M-59 1000 LBS	1.3"
M-66 2000 LBS	1.75"

These drawings are 1/48 scale and may be used to determine the size of the model bombs you are using.

15 For nose of 1000 and 2000 pound bombs. (1000 will overlap a bit.)

14 For nose or tail of 1000 and 2000 pound bombs. These are single elements on the decal, but they can be cut apart for single stripes if needed.

5 For nose or tail of smaller bombs.

6

UNITED STATES, WORLD WAR II & KOREA BOMB AND ROCKET MARKINGS

Ordnance used by the United States in World War II and Korea usually had stenciling and stripes painted on it. For live ordnance, the stripes were yellow as provided on this decal sheet. Stencilling was black and/or yellow.

Although there was a "standard" stencilling and markings specified in manuals, what was actually painted on the weapons varied considerably. The markings provided on this sheet were primarily based on those specified in the official ordnance manual, and some of the variations can be seen in the photographs that are included. The modeler can take a certain amount of liberty in applying these decals, because there were so many irregularities on the actual weapons. But almost all U. S. bombs and rockets used in World War II and Korea did have some of these markings on them.

Markings for the most common bombs are provided, and these include the 100, 250, 500, 1000, and 2000-pound sizes. The most common rocket used on U. S. aircraft during these wars was the 5-inch High Velocity Aircraft Rocket (HVAR). Two variations of markings are likewise provided for these rockets.

The stripes which go around the bomb bodies on the curved or tapered areas near the nose or aft end have been provided as separate decals. This will eliminate the tedious task of trying to paint these stripes on by hand. Straight yellow stripes are also included for use on the bomb bodies where they are cylindrical. These should be cut to length as necessary.

Many 1/48th scale model kits of aircraft from World War II have these weapons included in them. Additionally, True Details makes resin 100, 250, 500, 1000, and 2000-pound bombs in 1/48th scale as after-market accessories. These can be found at most hobby shops, or they can be ordered from Squadron Mail Order. Depending on the source of the bomb used, the stripes may need to be trimmed a bit to fit.

These are the first after-market decals designed specifically for ordnance from World War II and Korea, and they will enhance the detailing, accuracy, and appearance of any model displayed with these weapons.