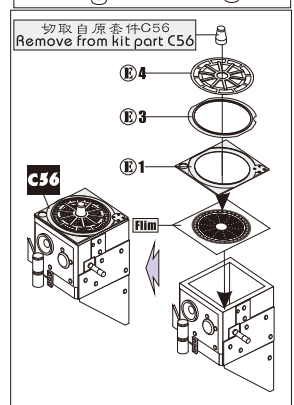
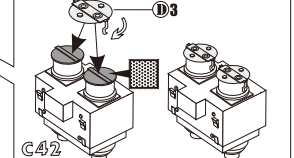
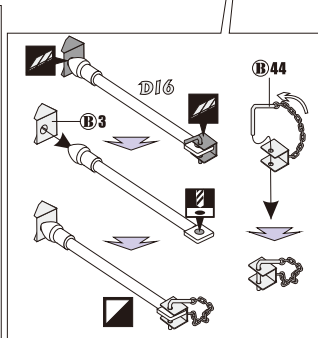
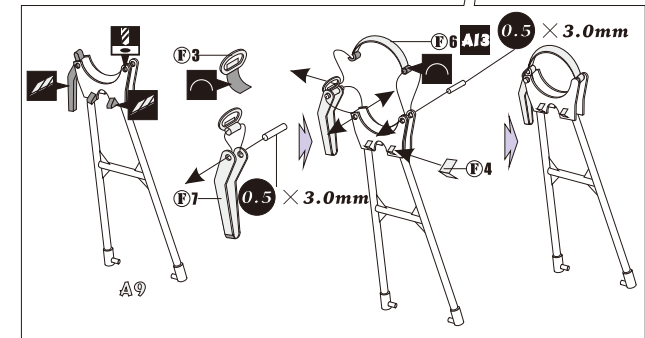
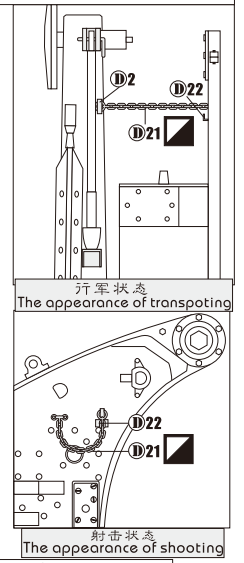
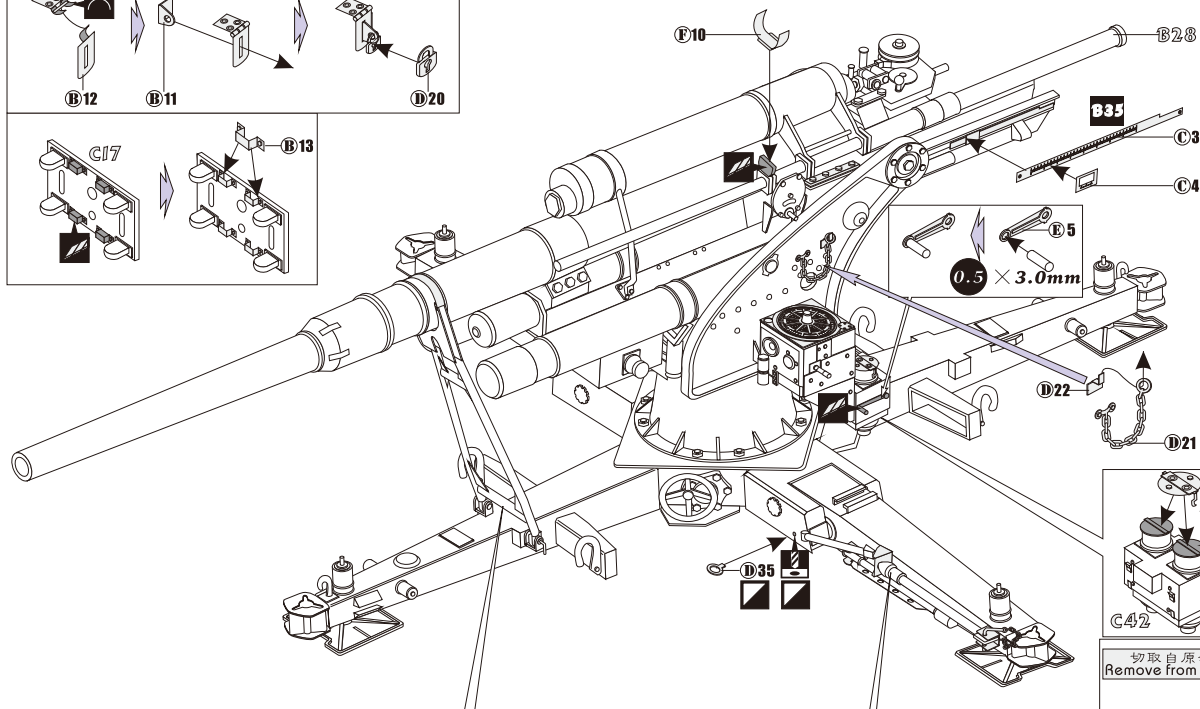
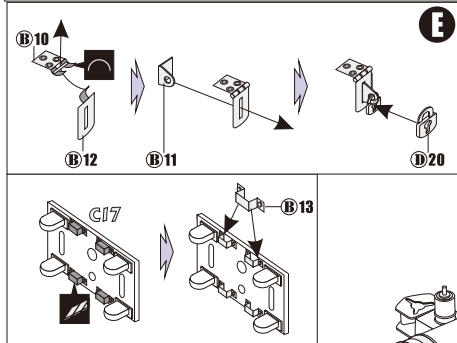
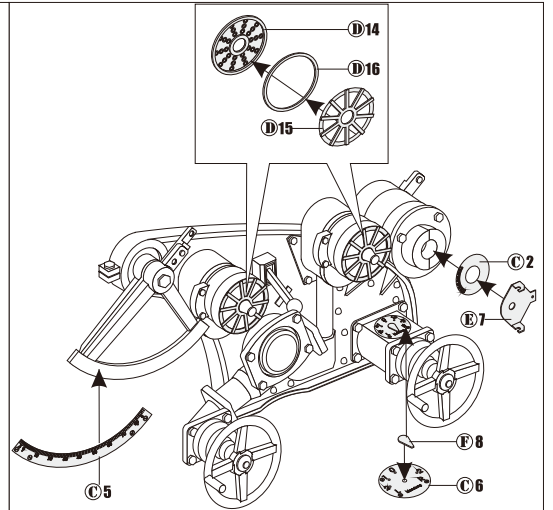
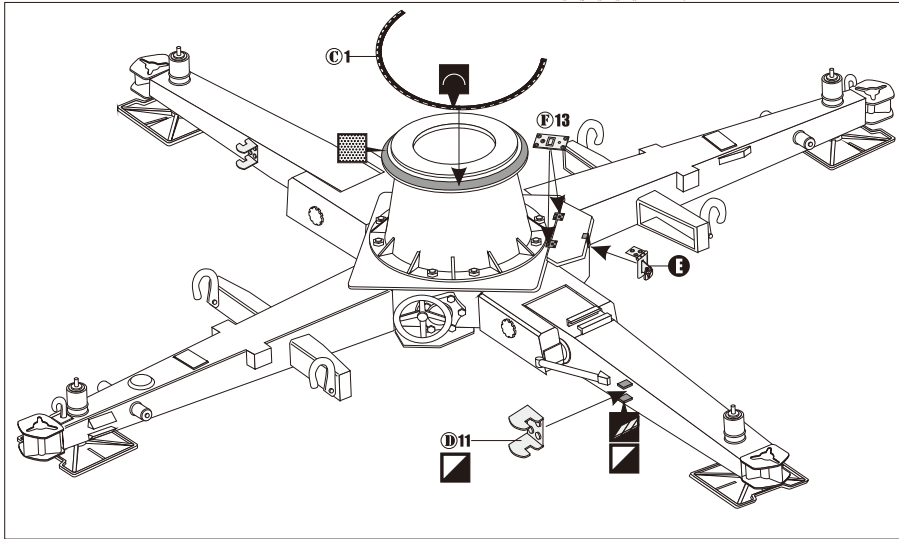


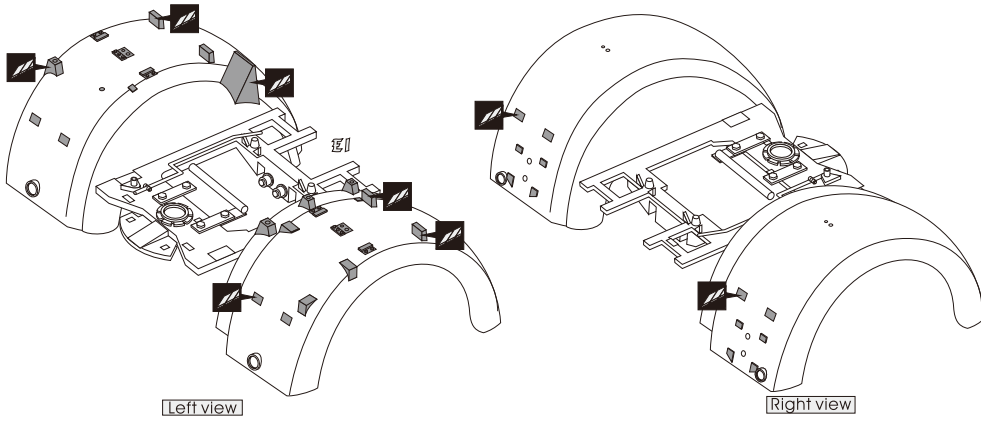
88MM FLAK36 A-A GUN PE UPDATE FOR DRA G260

	切除阴影部分 Cut away
	锉平阴影部分 Rasp away
	填补 Use filler
	弧度弯折 Bend
	根据喜好选择安装 Optional
	另一侧相同制作 Repeat opposite side
	注解 Note 1

	钻孔 Make a Hole
	安装箭头 Install arrow
	弯折箭头 Fold arrow
	蚀刻片零件标号 Number of PE parts
	原套件零件标号 Number of original parts
	被替换的套件标号 Number of replaced parts
	使用圆棒制作 Use ABS rod

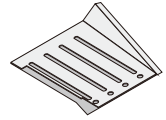
WWII GERMAN CLAMPS & CLASP





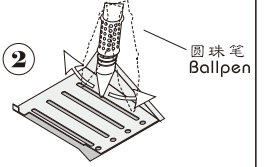
注解一：
Note 1:

①



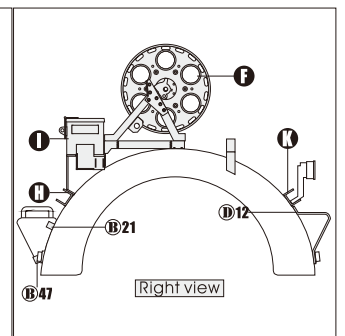
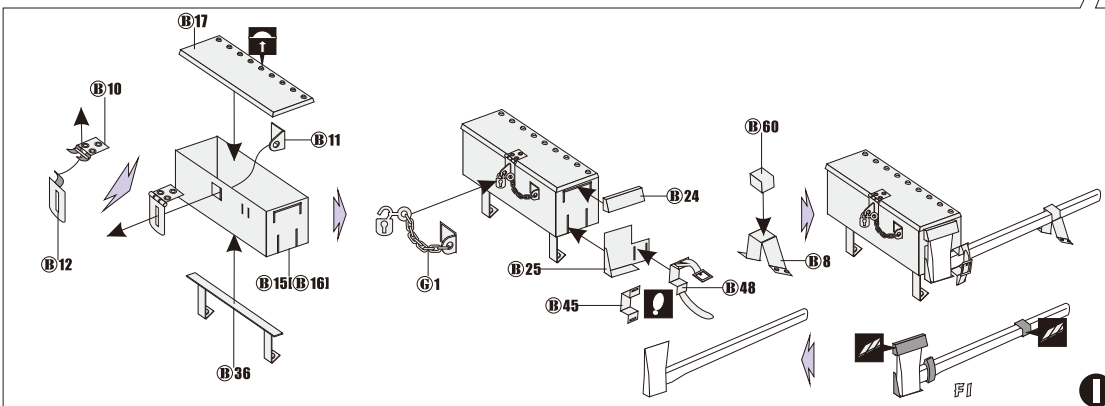
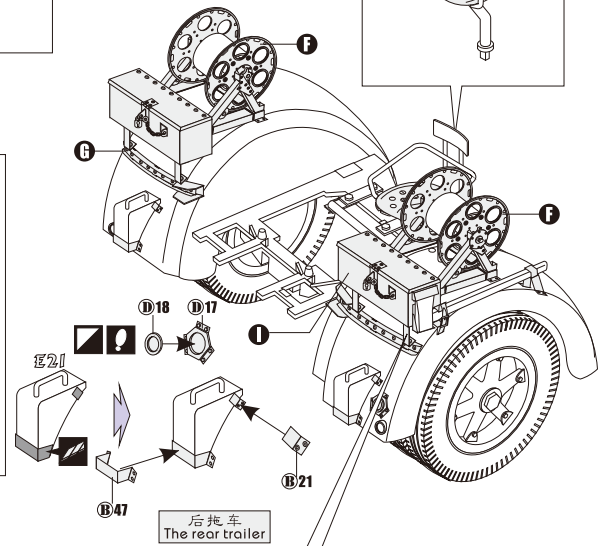
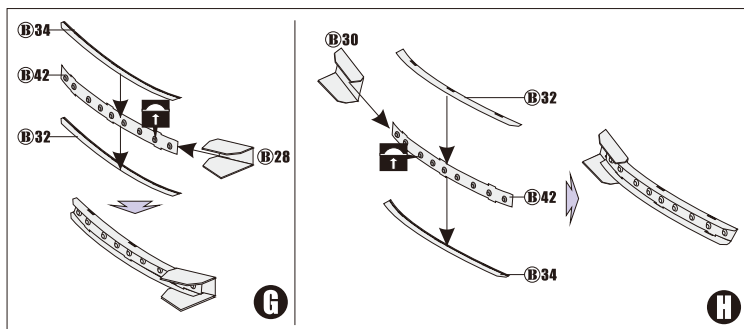
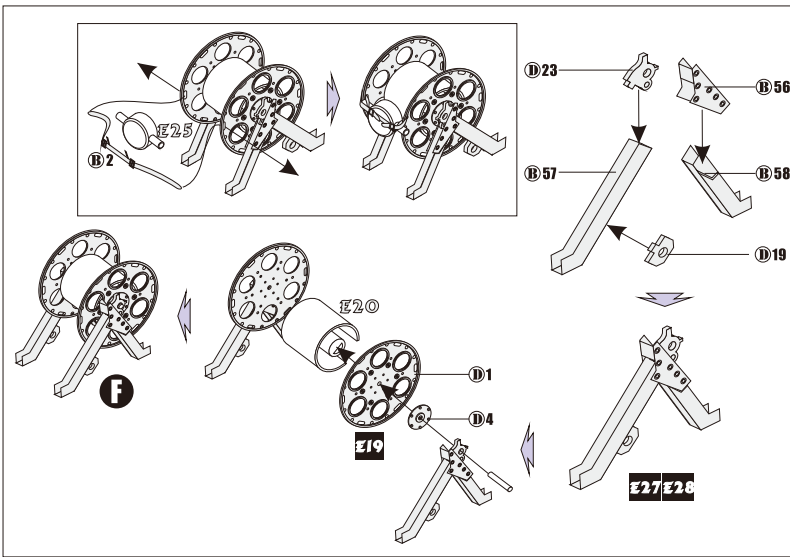
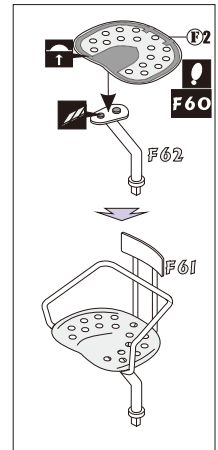
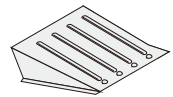
蚀刻片零件内侧面向上
PE part Inboard side turn up

②

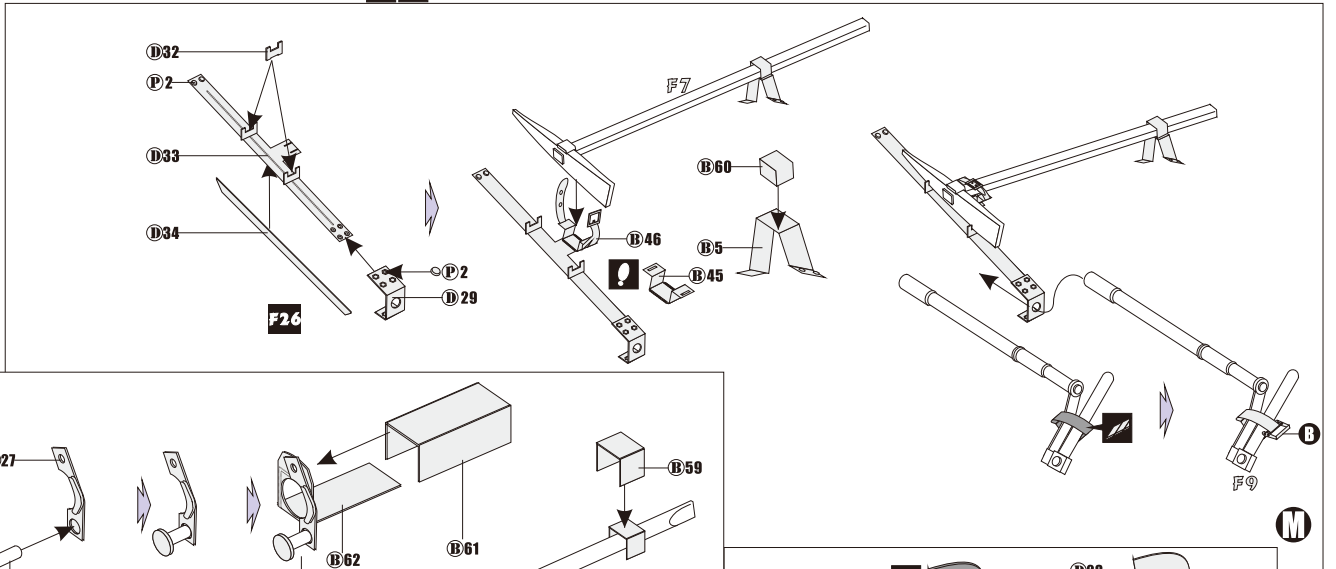
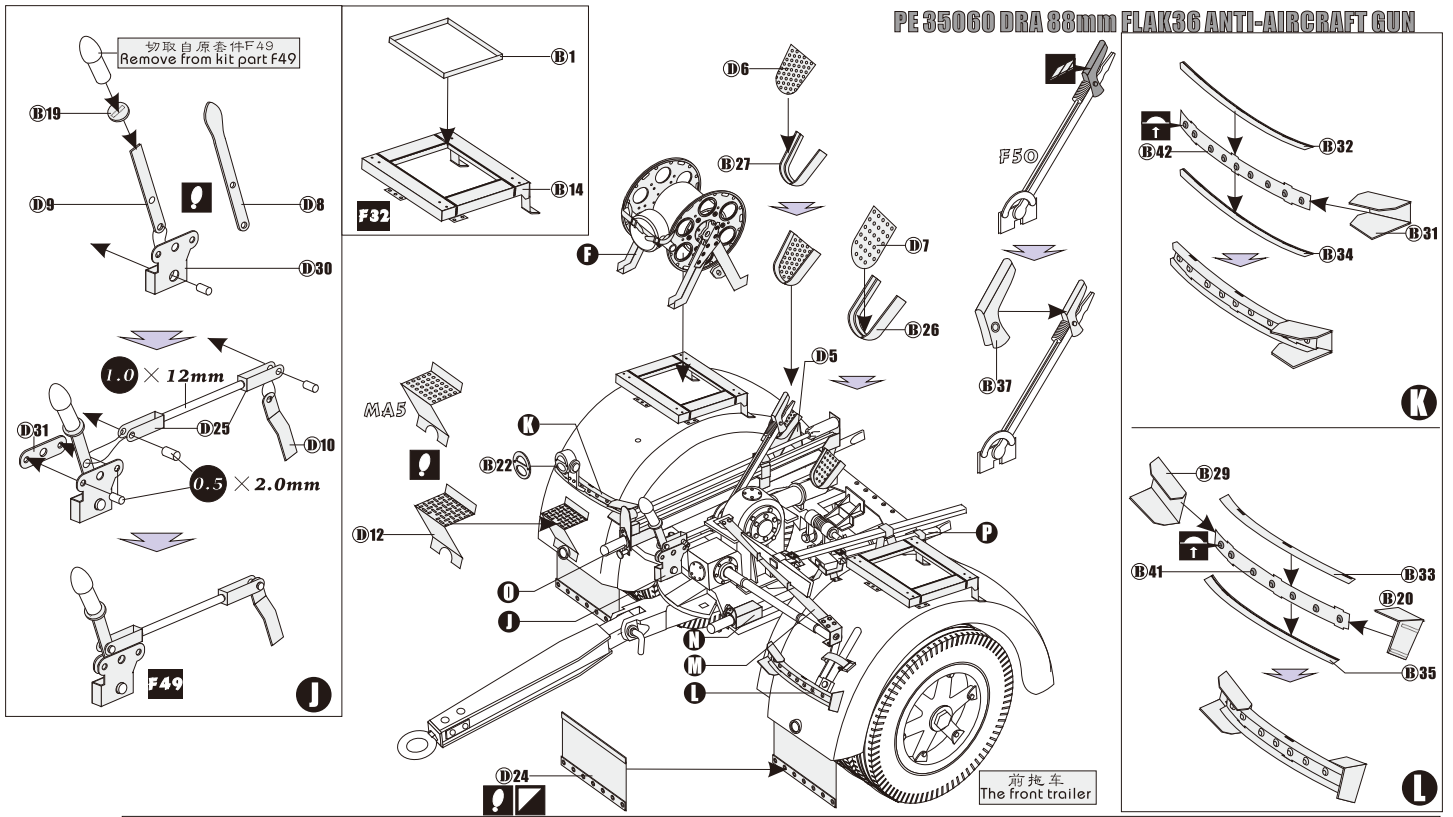


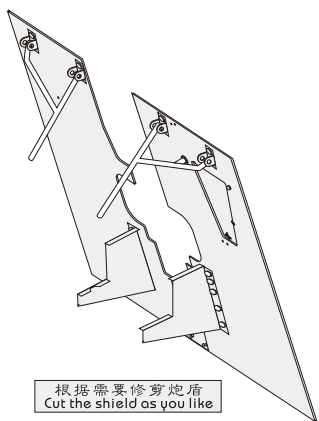
用笔尖在凹槽处挂
Use penpoint scratch on the flute

③

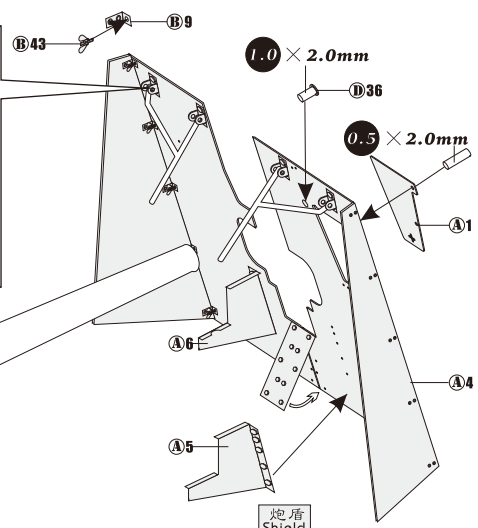
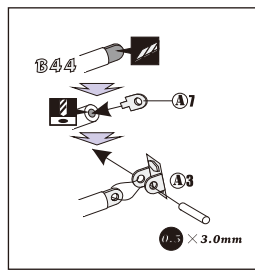


PE 35060 DRA 88mm FLAK36 ANTI-AIRCRAFT GUN

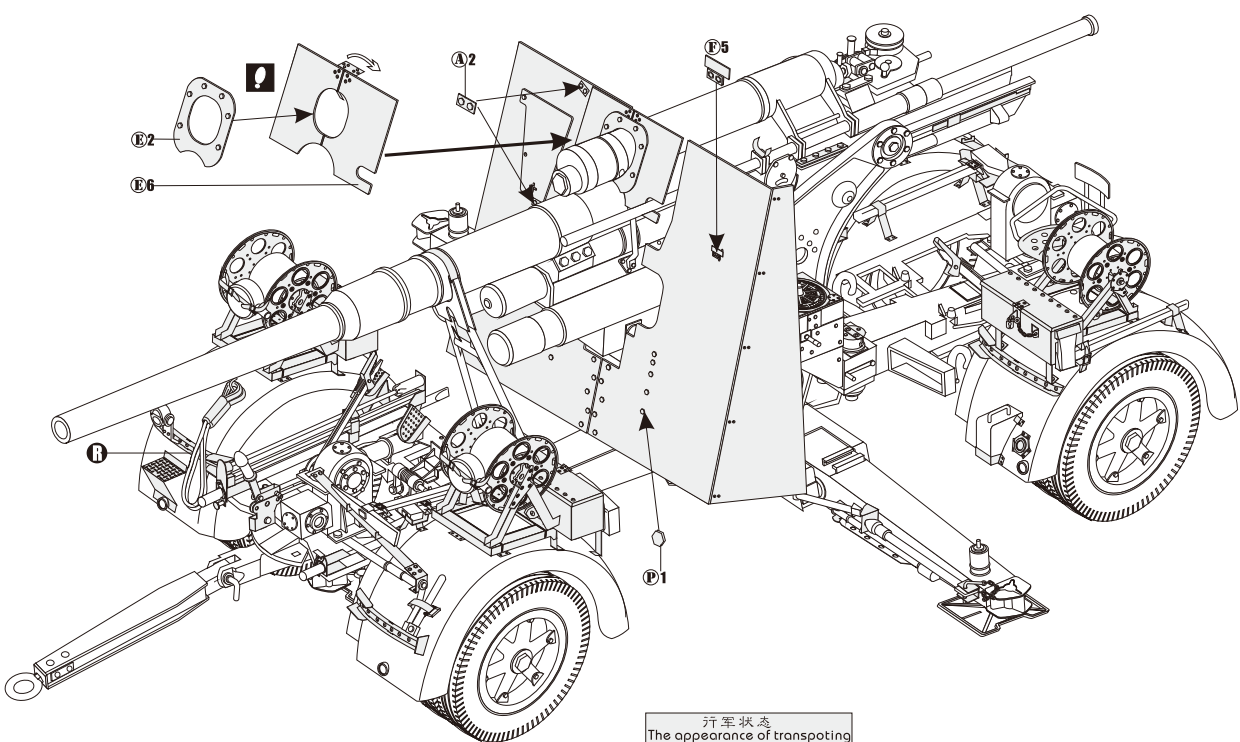
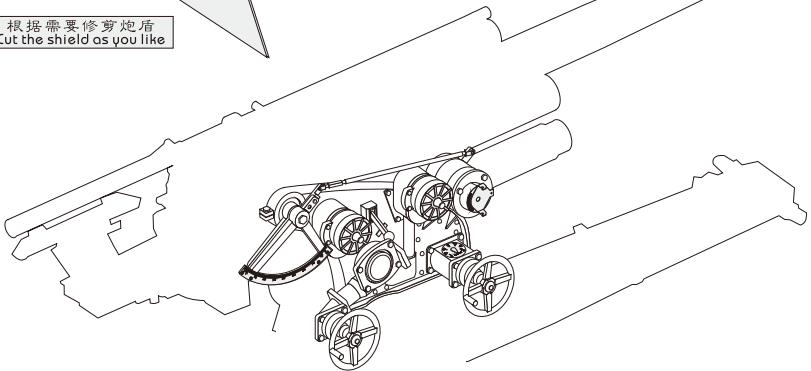




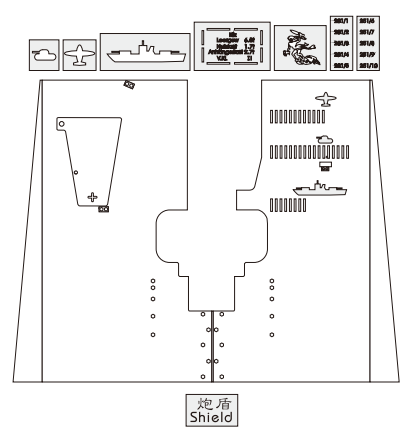
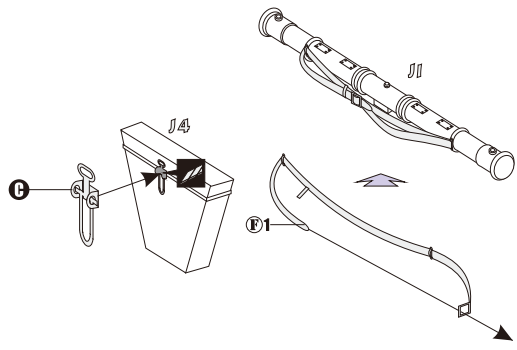
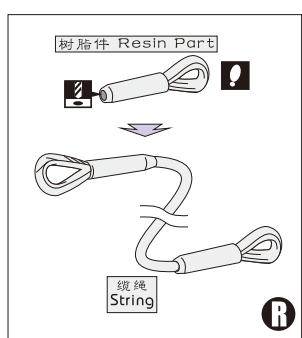
根据需要修剪炮盾
Cut the shield as you like



炮盾
Shield



行军状态
The appearance of transporting



炮盾
Shield