

eduard



**MIg-21**  
**MF**

**INSTRUCTION SHEET**

**1/72**

2127-NAV1

ATTENTION

\* UPOZORNĚNÍ

\* ACHTUNG

\* ATTENTION

\* 注意



Carefully read instruction sheet before assembling. When you use glue or paint, do not use near open flame and use in well ventilated room. Keep out of reach of small children. Children must not be allowed to suck any part, or pull vinyl bag over the head.



Před započítím stavby si pečlivě prostudujte stavební návod. Při používání barev a lepidel pracujte v dobře větrané místnosti. Lepidla ani barvy nepoužívejte v blízkosti otevřeného ohně. Model není určen malým dětem, mohlo by dojít k požití drobných dílů.

INSTRUCTION SIGNS

\* INSTR. SYMBOLS

\* INSTRUKTION SINNBILDEN

\* SYMBOLES

\* 記号の説明

OPTIONAL  
VOLBABEND  
OHNOUTSAND  
BROUSITOPEN HOLE  
VYVRTAT OTVORSYMETRICAL ASSEMBLY  
SYMETRICKÁ MONTÁŽREMOVE  
ODŘÍZNOUTREVERSE SIDE  
OTOČITAPPLY EDUARD MASK  
AND PAINT  
POUŽIT EDUARD MASK  
NABARVIT

PARTS

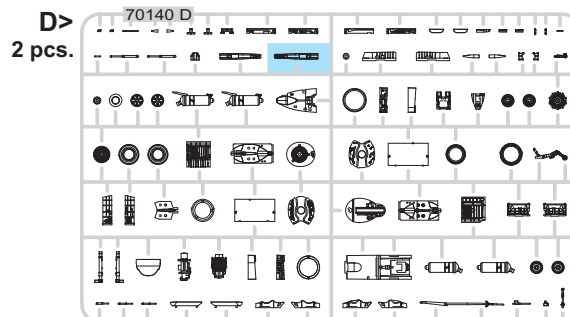
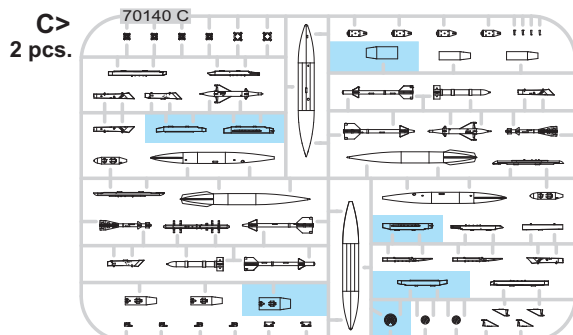
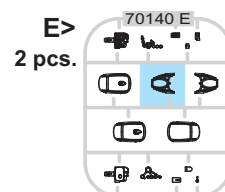
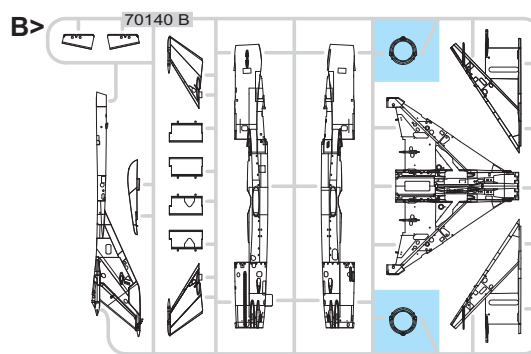
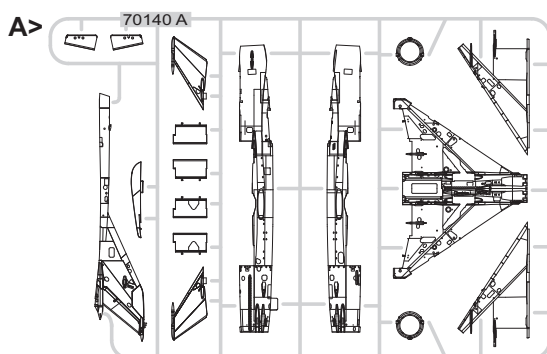
\* DÍLY

\* TEILE

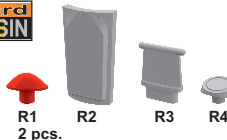
\* PIĘCES

\* 部品

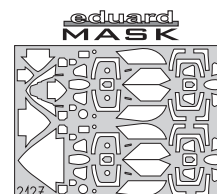
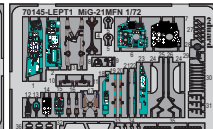
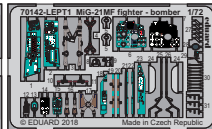
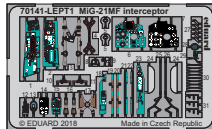
## PLASTIC PARTS



## RP - RESIN PARTS

eduard  
BRASSIN

## PE - PHOTO ETCHED DETAIL PARTS



-Parts not for use. -Teile werden nicht verwendet. -Pièces à ne pas utiliser. -Tyto díly nepoužívejte při stavbě. - 使用しない部品

COLOURS

\* BARVY

\* FARBEN

\* PEINTURE

\* 色

GSI Creos (GUNZE)		MISSION MODELS	
AQUEOUS	Mr.COLOR	PAINTS	
H1	C1	MMP-001	WHITE
H3	C3	MMP-003	RED
H4	C4	MMP-007	YELLOW
H5	C5	MMP-048	BLUE
H6	C6	MMP-004	YELLOW
H12	C33	MMP-047	FLAT BLACK
H15	C65		BRIGHT BLUE
H17	C29		RED BROWN
H23	C79		SHINE RED
H26	C66		BRIGHT GREEN
H37	C43		WOOD BROWN
H51	C11	MMP-063	LIGHT GULL GRAY
H53	C13		NEUTRAL GRAY
H58	C351	MMP-059	INTERIOR GREEN
H60	C16		GREEN
H64	C17	MMP-087	DARK GREEN
H67	C115	MMP-057	LIGHT BLUE
H68	C36	MMP-049	DARK GRAY
H70	C60	MMP-056	GRAY
H72	C22	MMP-078	DARK EARTH
H77	C137	MMP-040	TIRE BLACK
H80	C54		KHAKI GREEN
H82	C32		DARK GRAY
H84	C42		MAHOGANY
H85	C45		SAIL COLOR
H90	C47		CLEAR RED
H94	C138		CLEAR GREEN
H95	C101		SMOKE GRAY

GSI Creos (GUNZE)			MISSION MODELS
AQUEOUS	Mr.COLOR	PAINTS	
H302	C302		GREEN
H305	C305	MMP-084	GRAY
H306	C306	MMP-118	MEDIUM GRAY
H307	C307	MMP-074	GRAY
H310	C310	MMP-060	BROWN
H312	C312		GREEN
H316	C316	MMP-104	WHITE
H320	C320		DARK GREEN
H321	C321	MMP-086	LIGHT BROWN
H323	C323		LIGHT BLUE
H325	C325	MMP-063	GRAY
H332	C332		LIGHT AIRCRAFT GRAY
H334	C334	MMP-102	BARLEY GRAY
H338	C338	MMP-116	LIGHT GRAY
H413	C113	MMP-090	YELLOW
H416	C116	MMP-089	BLACK GRAY
H417	C117	MMP-051	LIGHT BLUE
H418	C118	MMP-055	LIGHT BLUE
H420	C120		OLIVE GREEN
H421	C121	MMP-052	BROWN
H422	C122	MMP-053	LIGHT GREEN
	C35		GRAY
Mr.METAL COLOR		METALLICS	
MC213		MMM-006	STEEL
MC214		MMM-001	DARK IRON
Mr.COLOR SUPER METALLIC		METALLICS	
SM01		MMC-001	SUPER CHROME

INTERIOR COLOUR BARVA INTERIÉRU

INTERIOR

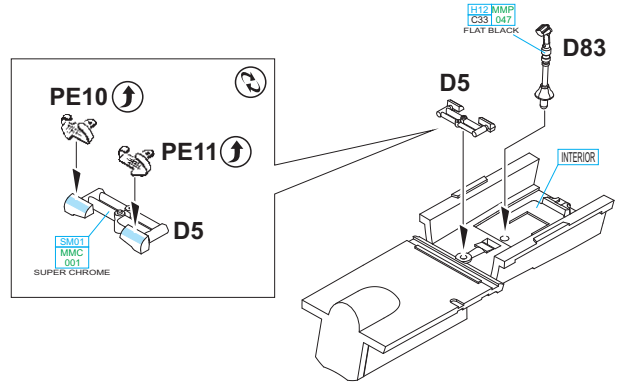
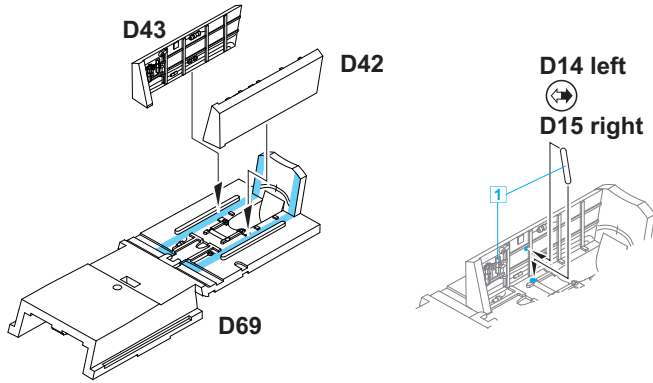
60% C34 SKY BLUE + 20% C66 BRIGHT GREEN + 20% C80 COBALT BLUE

1 = H58 MMP C351 059 INTER. GREEN ? H70 MMP C80 056 GRAY

PHOTO ETCHED PARTS 70141-LEPT1 - MARKINGS 26-29

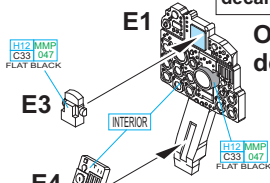
PHOTO ETCHED PARTS 70142-LEPT1 - MARKINGS 1-25; 33-39

PHOTO ETCHED PARTS 70145-LEPT1 - MARKINGS 30-32



decal 403 - MARKINGS 30-32  
decal 409 - MARKINGS 26-29  
decal 415 - MARKINGS 1-25; 33-39

OPTIONAL:  
decal 403 ? 409 ? 415

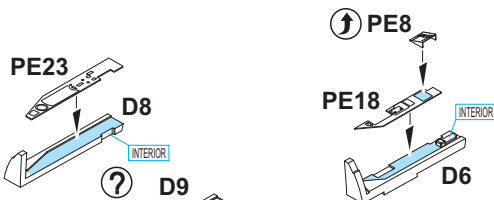
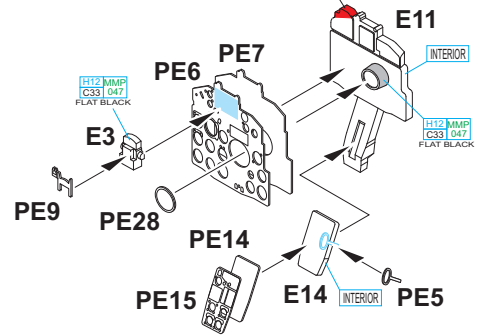


OPTIONAL:  
decal 400 ? 406 ? 412

decal 400 - MARKINGS 30-32  
decal 406 - MARKINGS 26-29  
decal 412 - MARKINGS 1-25; 33-39

MARKINGS 26-32 ONLY ?

?

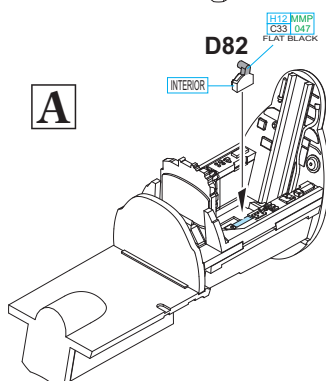
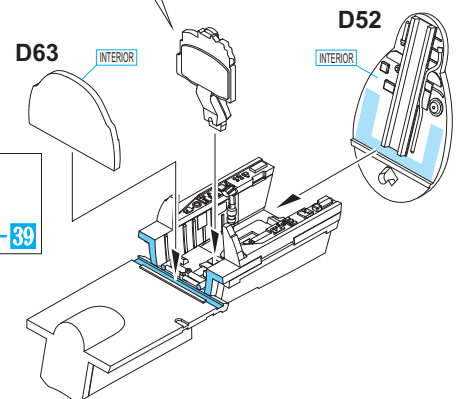
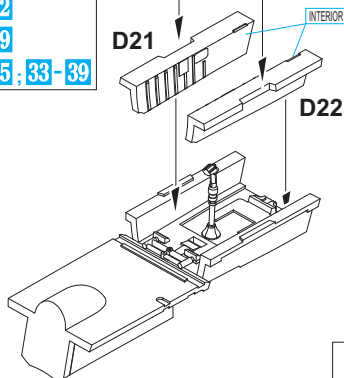


OPTIONAL:  
decal 405 ? 411 ? 417

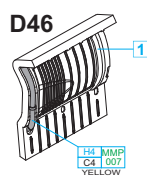
decal 405 - MARKINGS 30-32  
decal 411 - MARKINGS 26-29  
decal 417 - MARKINGS 1-25; 33-39

OPTIONAL:  
decal 404 ? 410 ? 416

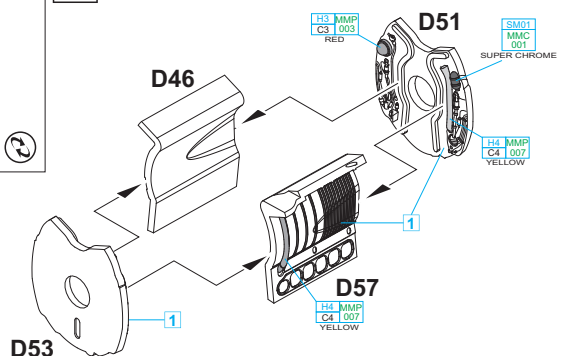
decal 404 - MARKINGS 30-32  
decal 410 - MARKINGS 26-29  
decal 416 - MARKINGS 1-25; 33-39

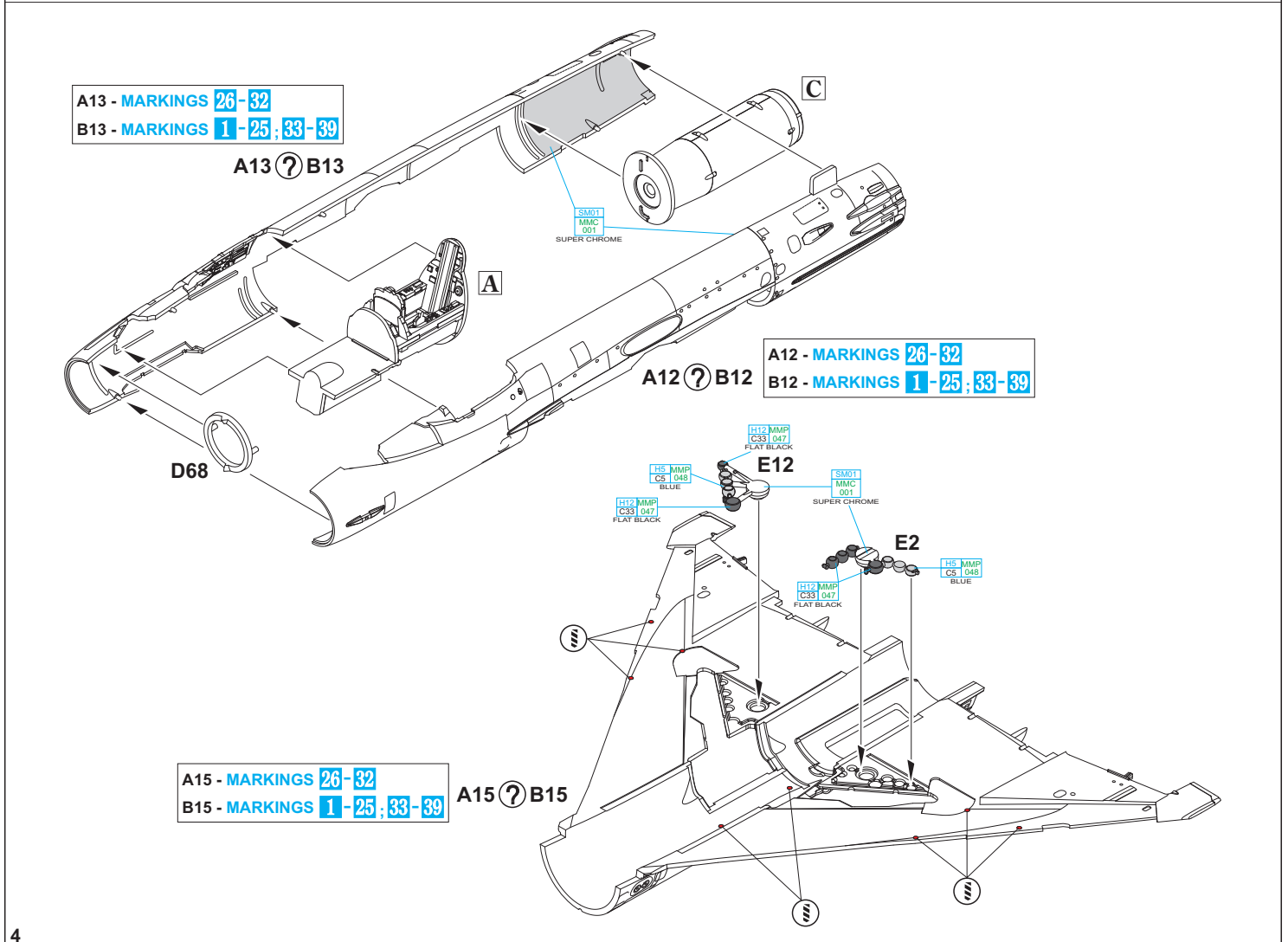
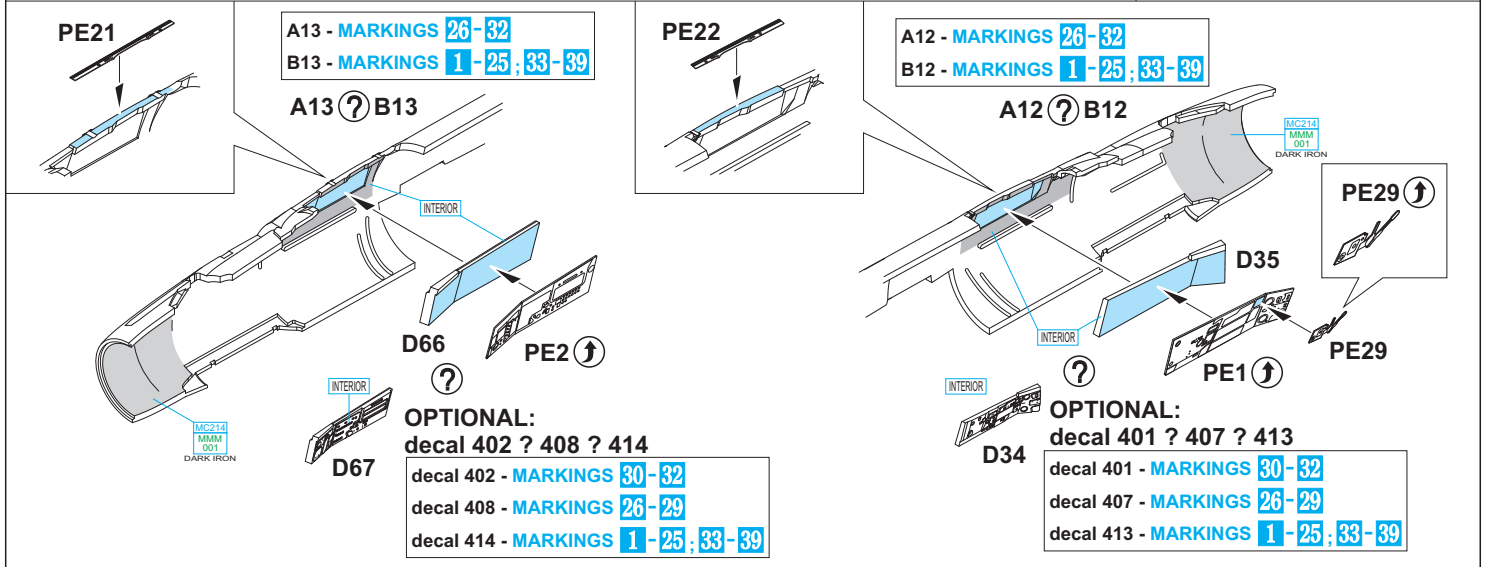
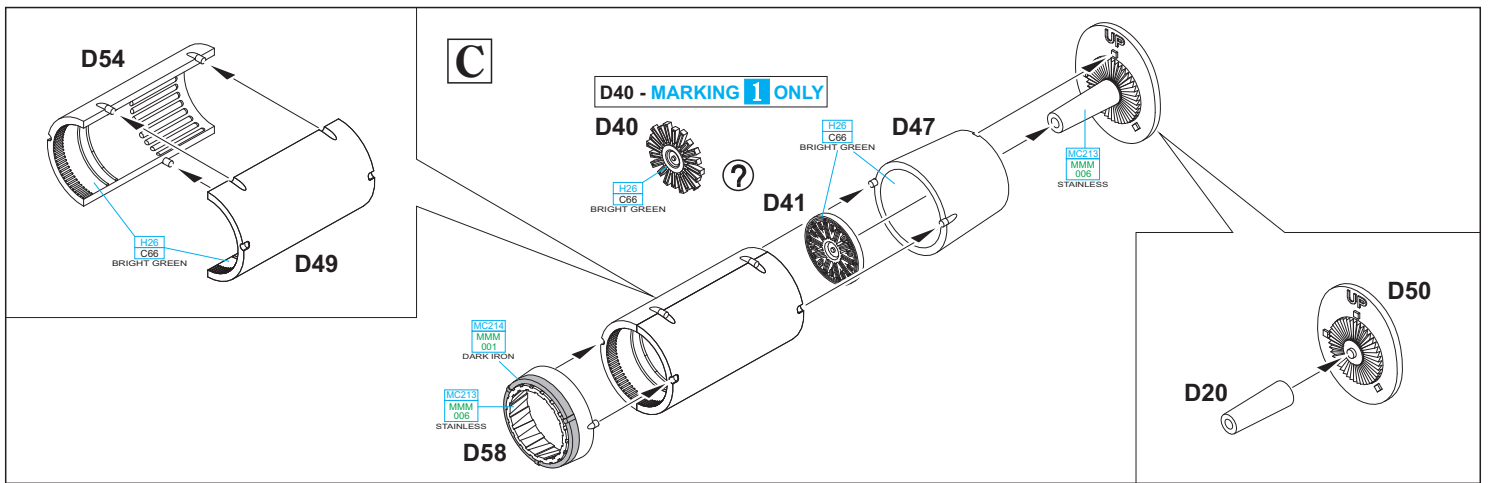


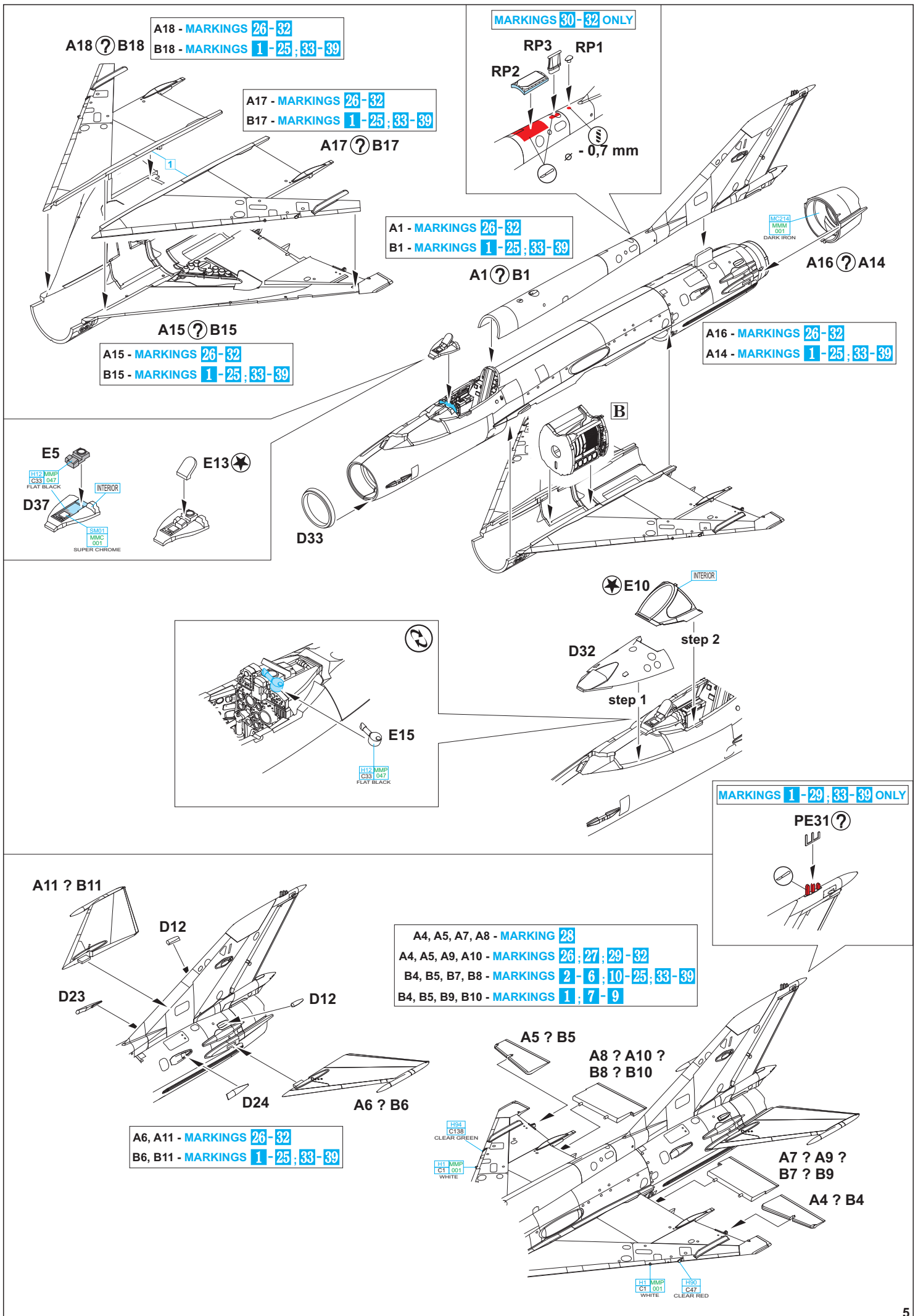
A



B







A18 ? B18

A18 - MARKINGS 26-32  
B18 - MARKINGS 1-25, 33-39

A17 - MARKINGS 26-32  
B17 - MARKINGS 1-25, 33-39

A17 ? B17

MARKINGS 30-32 ONLY

RP3 RP1

RP2  
Ø - 0,7 mm

A1 - MARKINGS 26-32  
B1 - MARKINGS 1-25, 33-39

A1 ? B1

H90C47  
MM4  
001  
DARK IRON

A16 ? A14

A15 - MARKINGS 26-32  
B15 - MARKINGS 1-25, 33-39

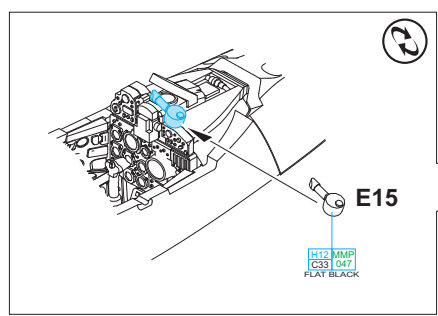
A15 ? B15

A16 - MARKINGS 26-32  
A14 - MARKINGS 1-25, 33-39

E5  
H12 MMP C33 047  
FLAT BLACK  
INTERIOR  
SM01 MMC 001  
SUPER CHROME



D33



E15  
H12 MMP C33 047  
FLAT BLACK

E10  
INTERIOR

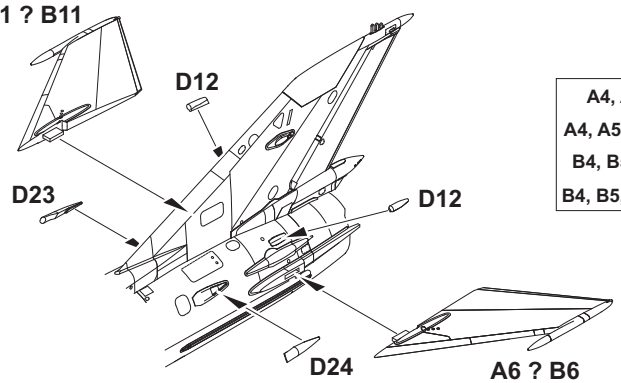
D32 step 2

step 1

MARKINGS 1-29, 33-39 ONLY

PE31 ?

A11 ? B11



A6, A11 - MARKINGS 26-32  
B6, B11 - MARKINGS 1-25, 33-39

A4, A5, A7, A8 - MARKING 28  
A4, A5, A9, A10 - MARKINGS 26, 27, 29-32  
B4, B5, B7, B8 - MARKINGS 2-6, 10-25, 33-39  
B4, B5, B9, B10 - MARKINGS 1, 7-9

A5 ? B5

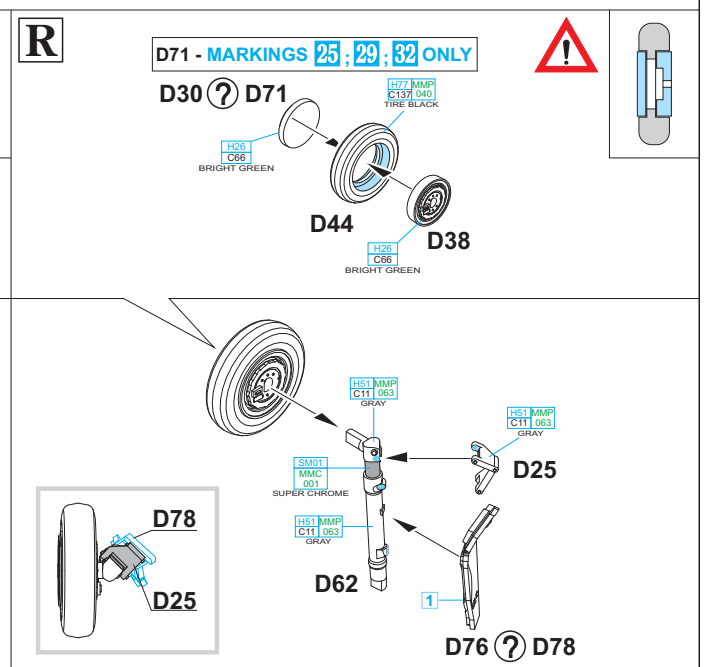
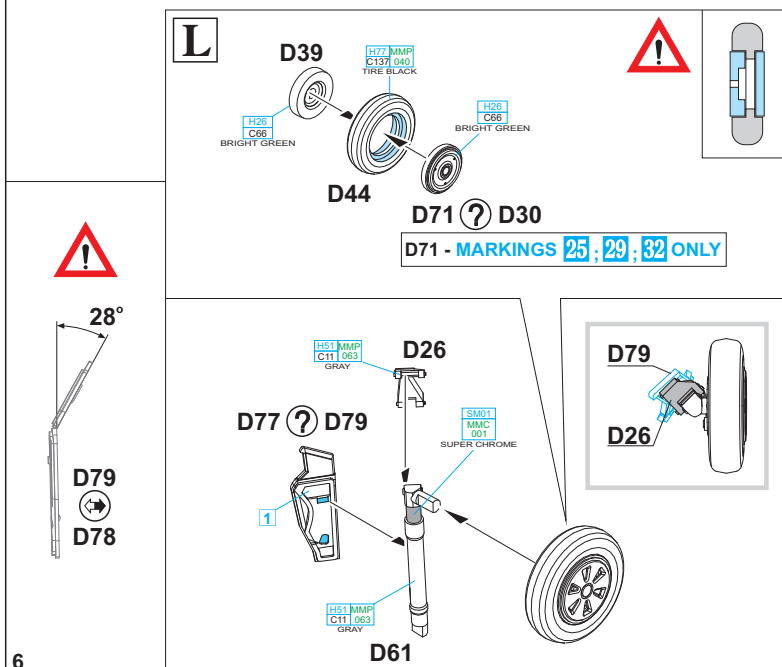
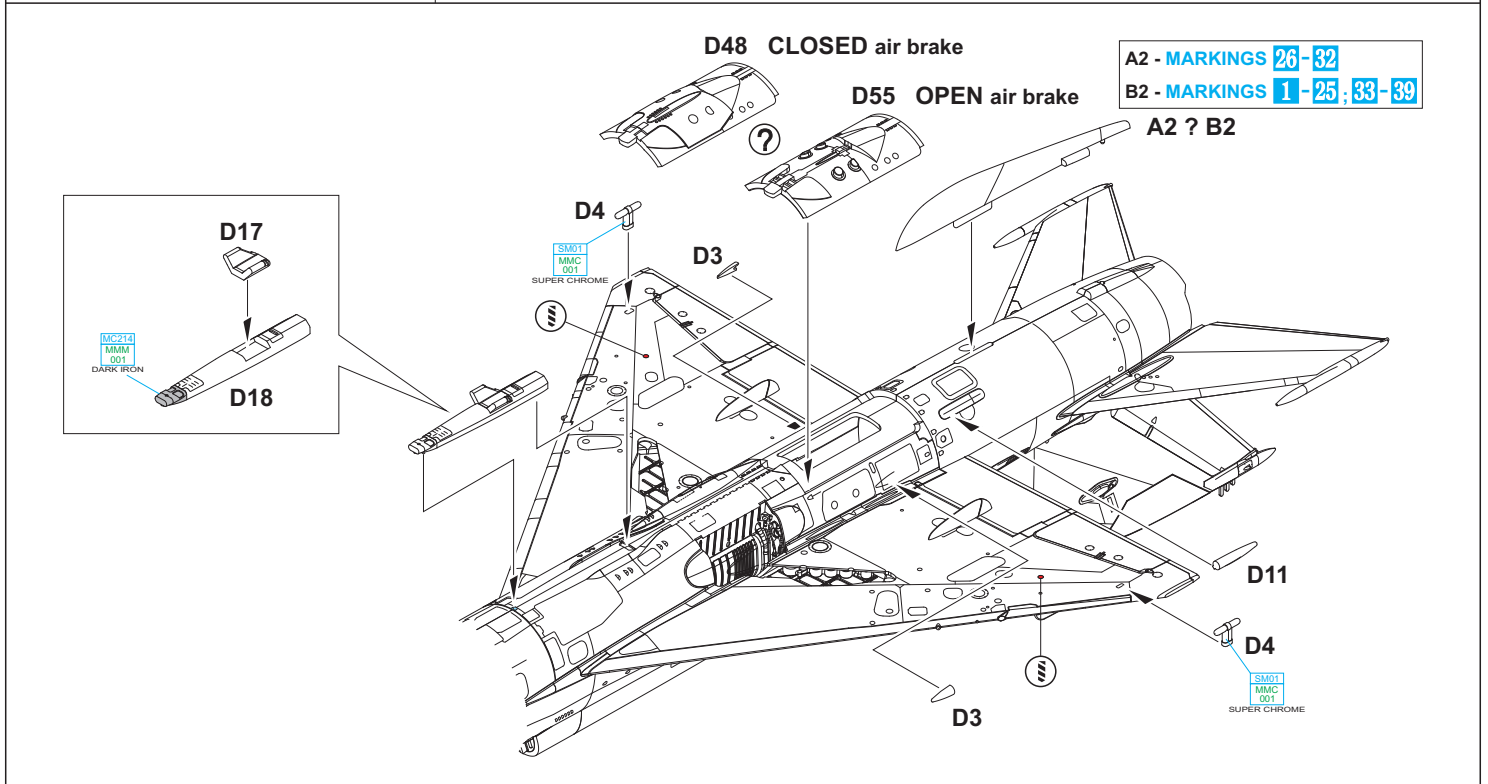
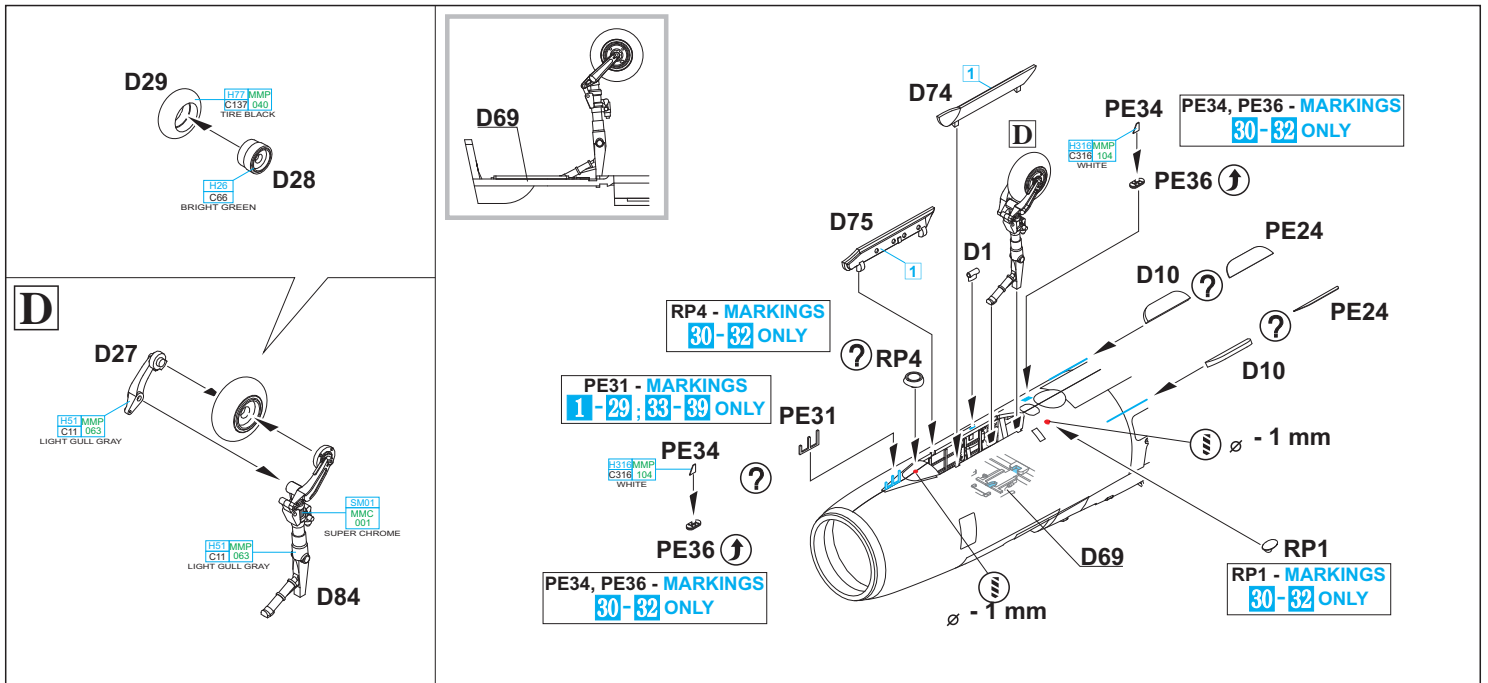
A8 ? A10 ?  
B8 ? B10

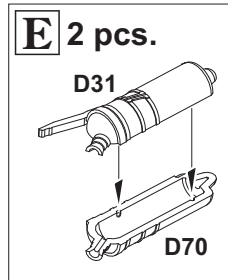
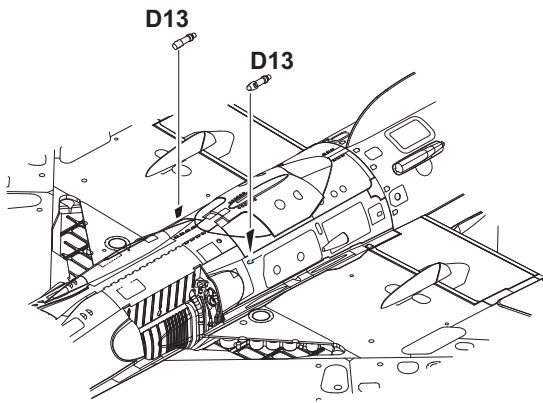
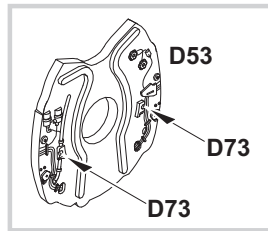
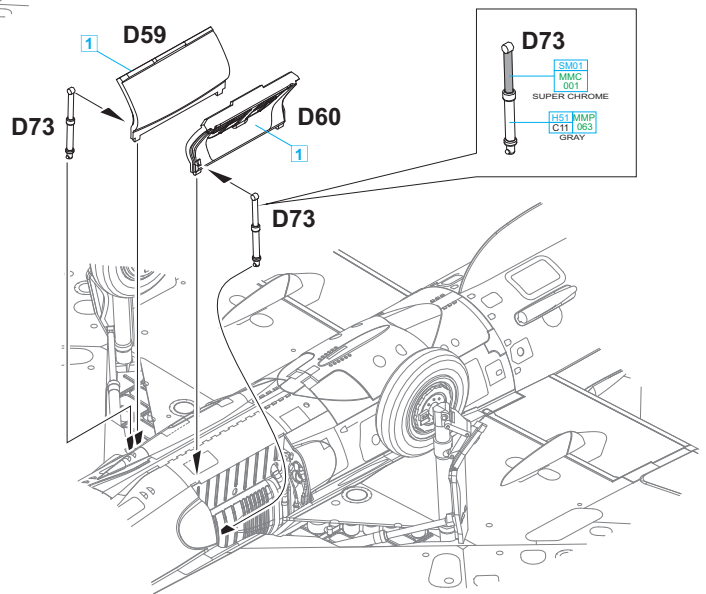
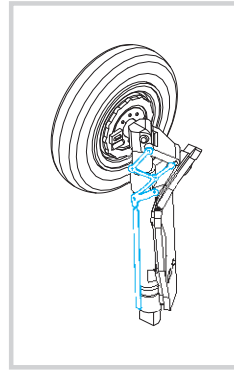
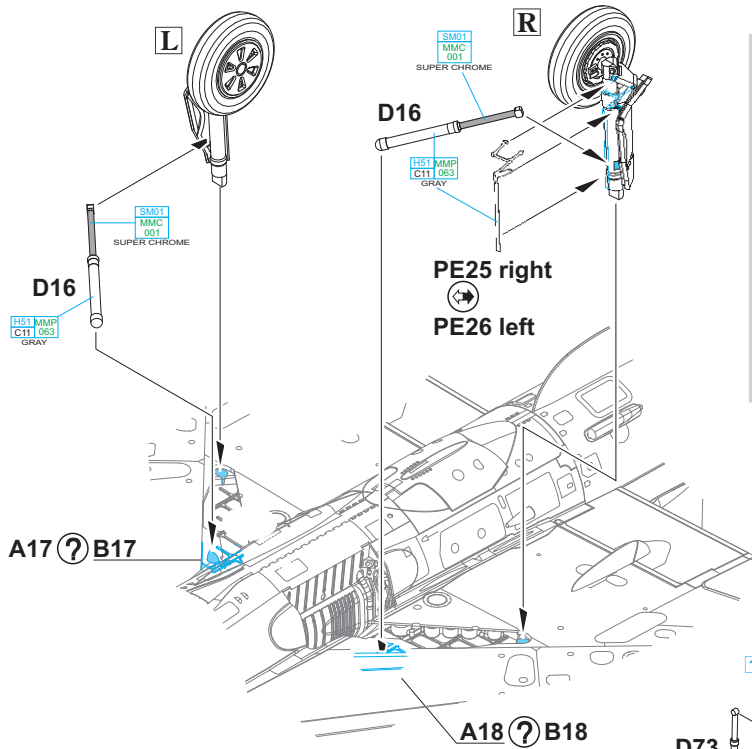
H94 C138  
CLEAR GREEN  
H11 MMP C1 001  
WHITE

A7 ? A9 ?  
B7 ? B9

A4 ? B4

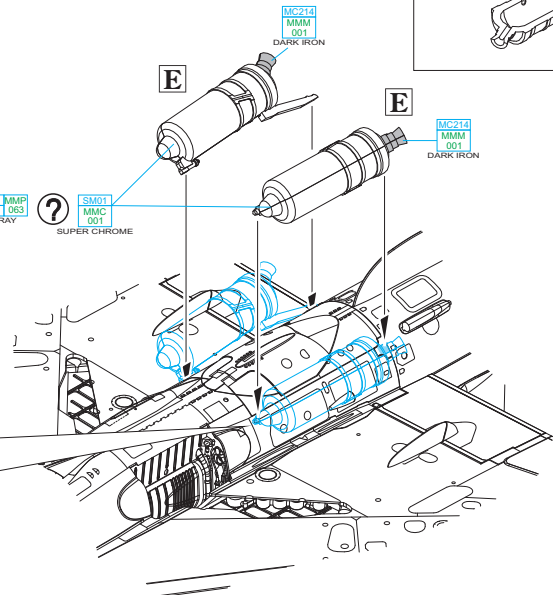
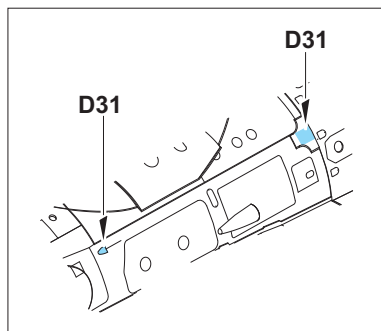
H11 MMP C1 001  
WHITE  
H90 C47  
CLEAR RED

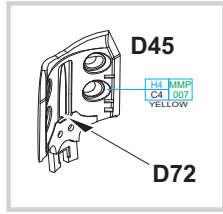




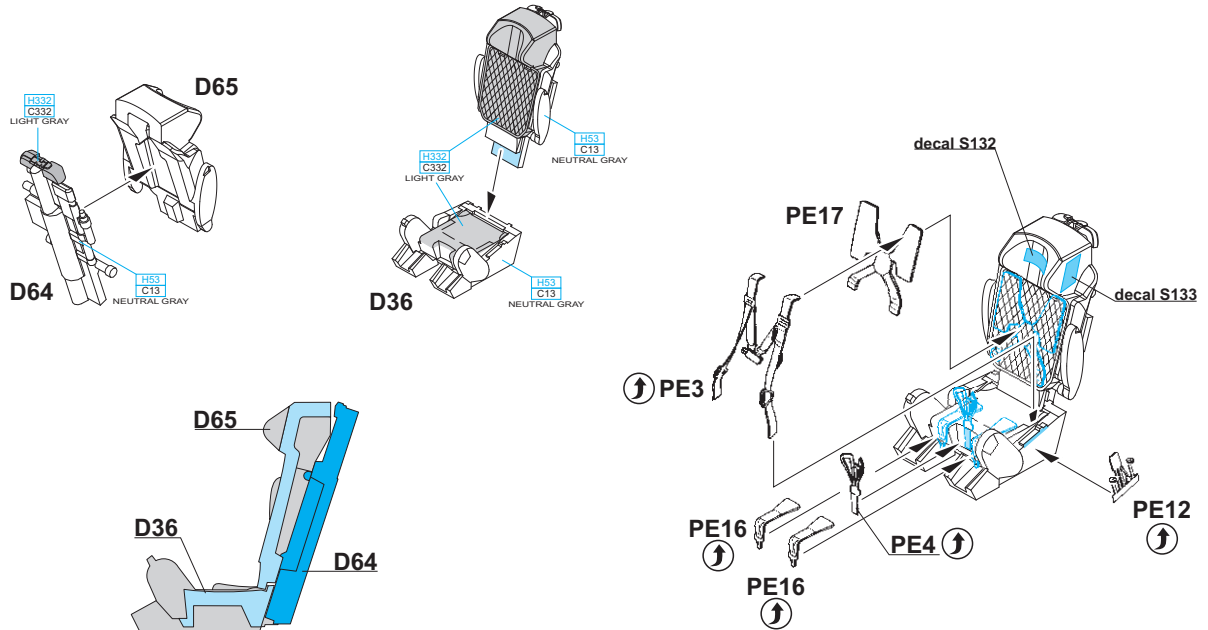
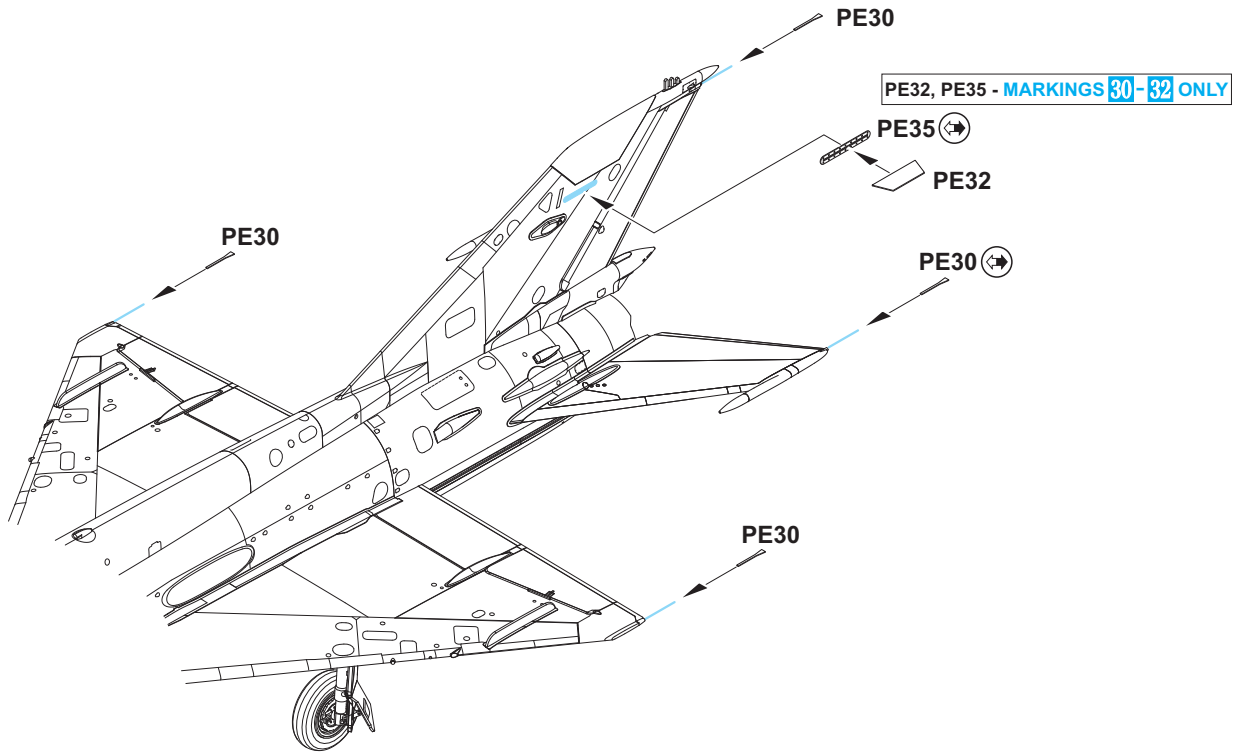
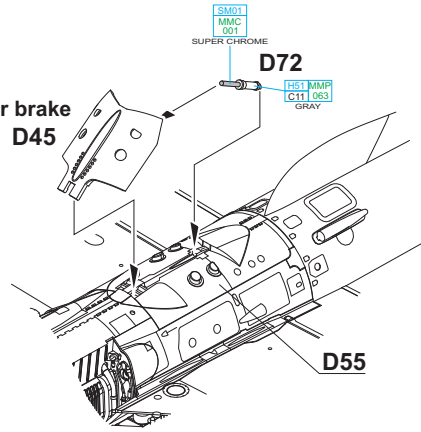
**?**

**H1 MMP C1 001 WHITE** **?** **H51 MMP C11 063 GRAY** **?** **SM01 MMC 001 SUPER CHROME**

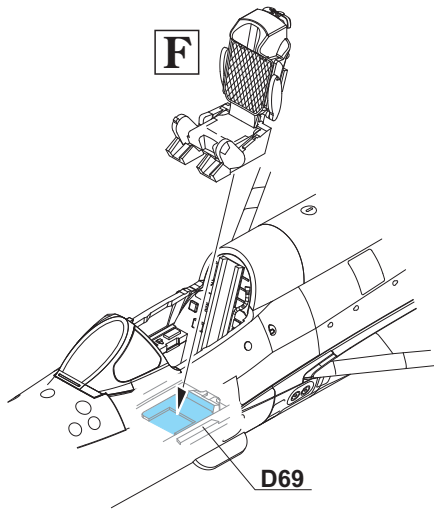




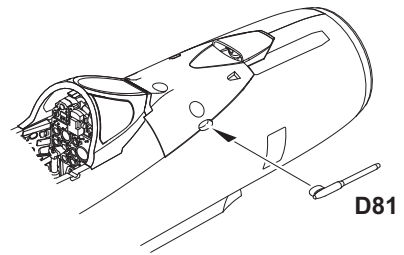
OPEN air brake  
D45



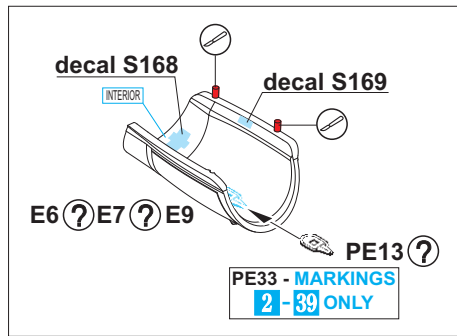




**F**



D81



E6 - MARKINGS 26-32  
 E7 - MARKINGS 2-25; 33-39  
 E9 - MARKING 1

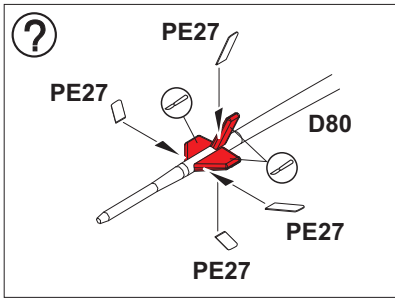
**CLOSED CANOPY**

E6 ? E7 ? E9 \*

PE33 ?

PE33 - MARKINGS 30-32 ONLY

E318 MMP C316 104 WHITE



D80

D56

PE34 E318 MMP C316 104 WHITE

PE36 ↑

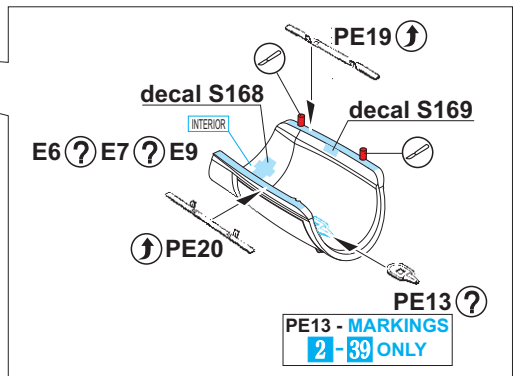
PE34, PE36 - MARKINGS 30-32 ONLY

E6 - MARKINGS 26-32  
 E7 - MARKINGS 2-25; 33-39  
 E9 - MARKING 1

E6 ? E7 ? E9 \*

**OPEN CANOPY**

D2 INTERIOR



PE19 ↑

decals S168

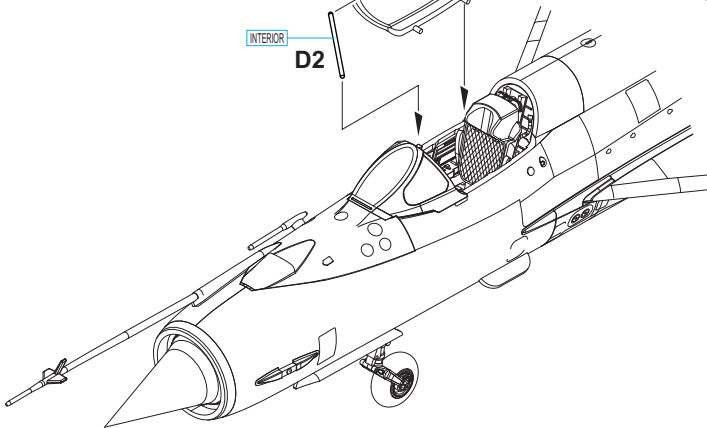
decals S169

E6 ? E7 ? E9

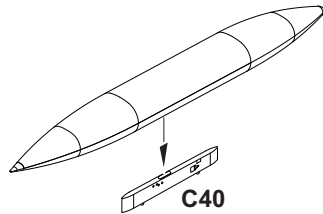
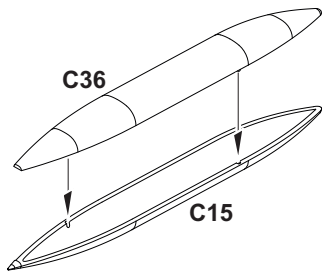
PE20 ↑

PE13 ?

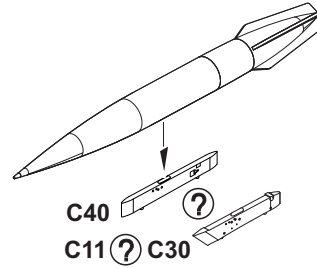
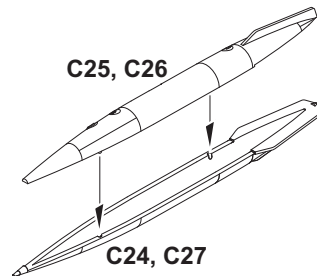
PE13 - MARKINGS 2-39 ONLY



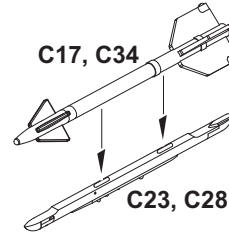
EXTERNAL FUEL TANK 800 I  
PŘÍDAVNÁ NÁDRŽ 800 I



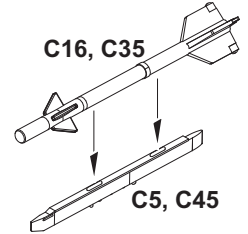
EXTERNAL FUEL TANK 490 I  
PŘÍDAVNÁ NÁDRŽ 490 I  
2 pcs.



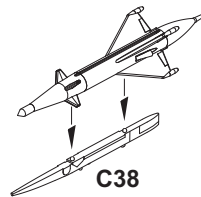
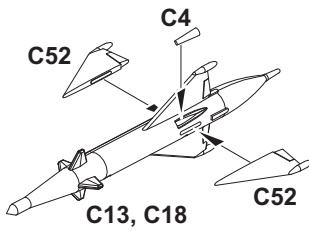
R-13  
2 pcs.



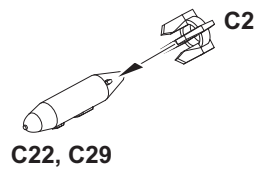
R-3S  
2 pcs.



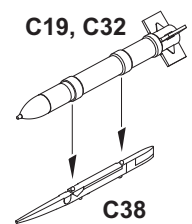
RS-2US  
2 pcs.



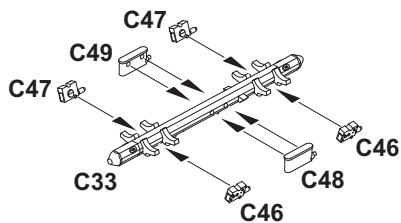
BOMB 250  
2 pcs.



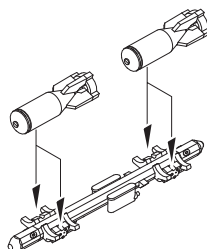
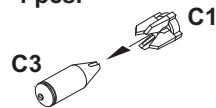
S24  
2 pcs.



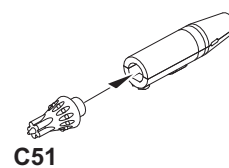
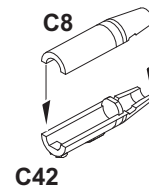
MBD  
2 pcs.



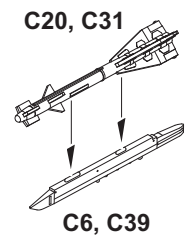
BOMB 100  
4 pcs.

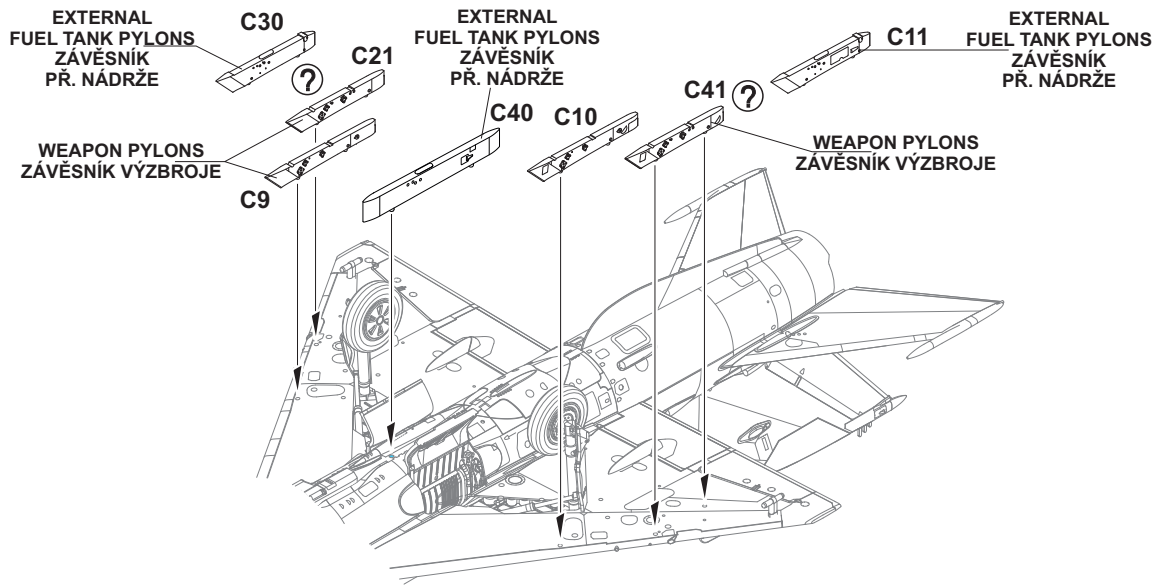


UB-16  
2 pcs.

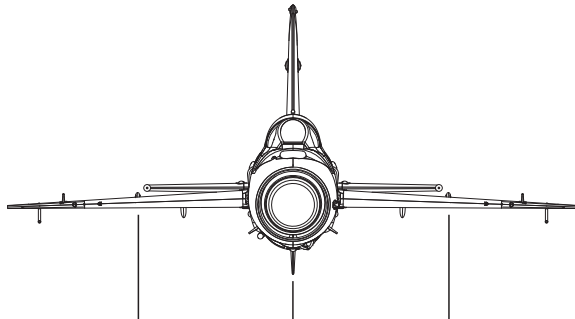


R-60  
2 pcs.

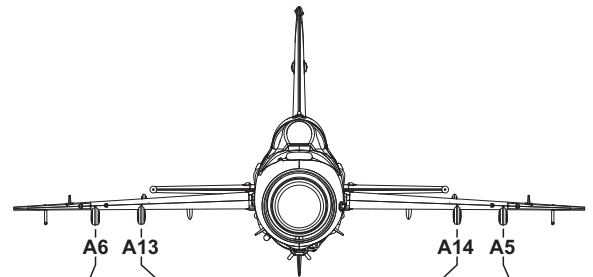




## TYPICAL ARMAMENT AND FUEL TANKS OPTIONS



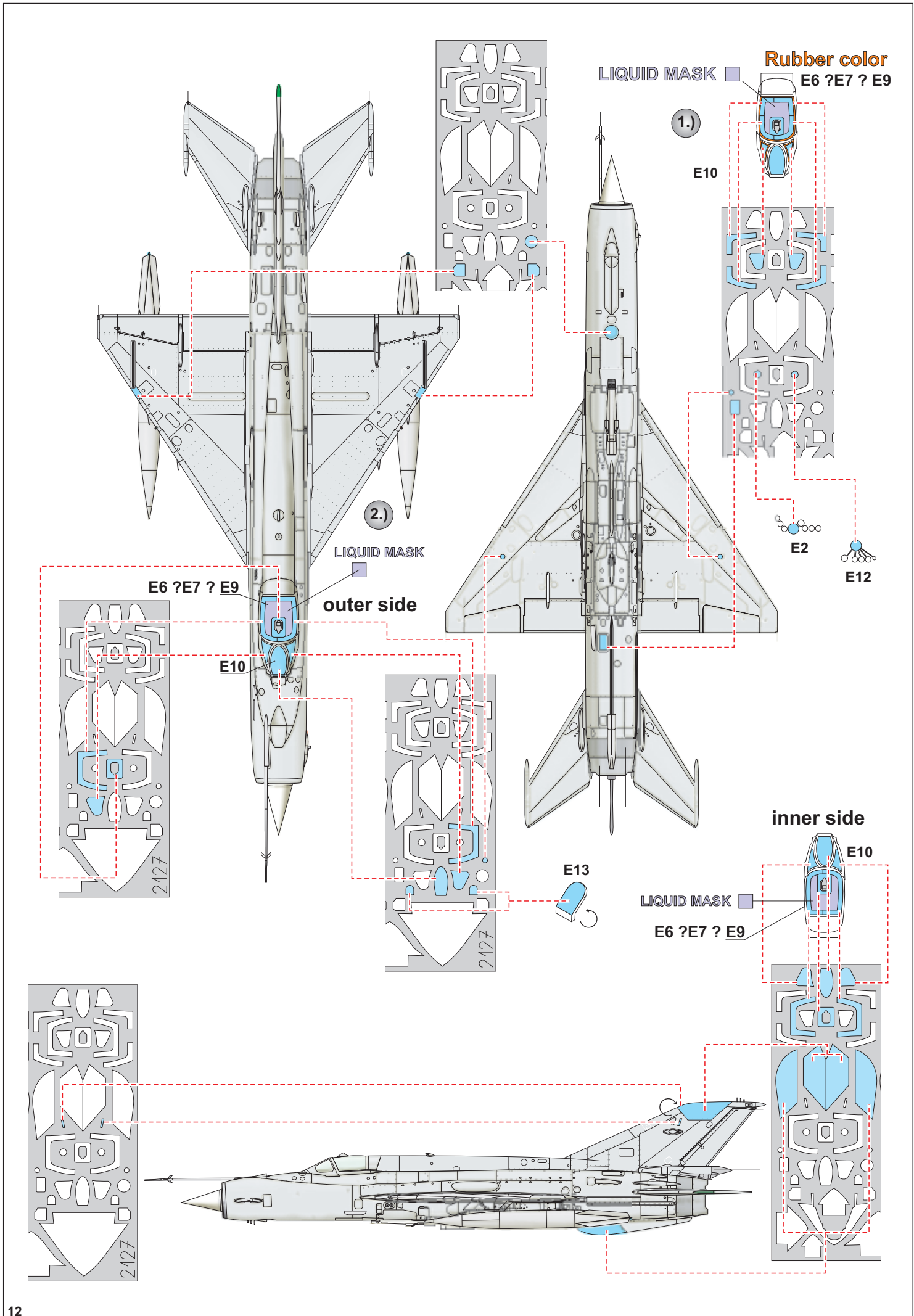
EXTERNAL FUEL TANK 800I	C40
EXTERNAL FUEL TANK 490I	C40
EXTERNAL FUEL TANK 490I	C11         C30



	S-24	C38	C38	C38	C38
	RS-2US	C38	C38	C38	C38
	R-3S	C5	C5	C45	C45
	R-13	C23	C23	C28	C28
	R-60		C6	C39	
	MBD				
	FAB 100 BOMB				
	FAB 250 BOMB				
	UB-16				

TO CHOOSE WEAPON AND EXTERNAL FUEL TANK OPTION PLEASE FOLLOW YOUR REFERENCE.

PRO VOLBU VÝZBROJE A PŘÍDAVNÝCH NÁDRŽÍ SE DRŽTE DOKUMENTACE KONKRÉTNÍHO STROJE.



eduard



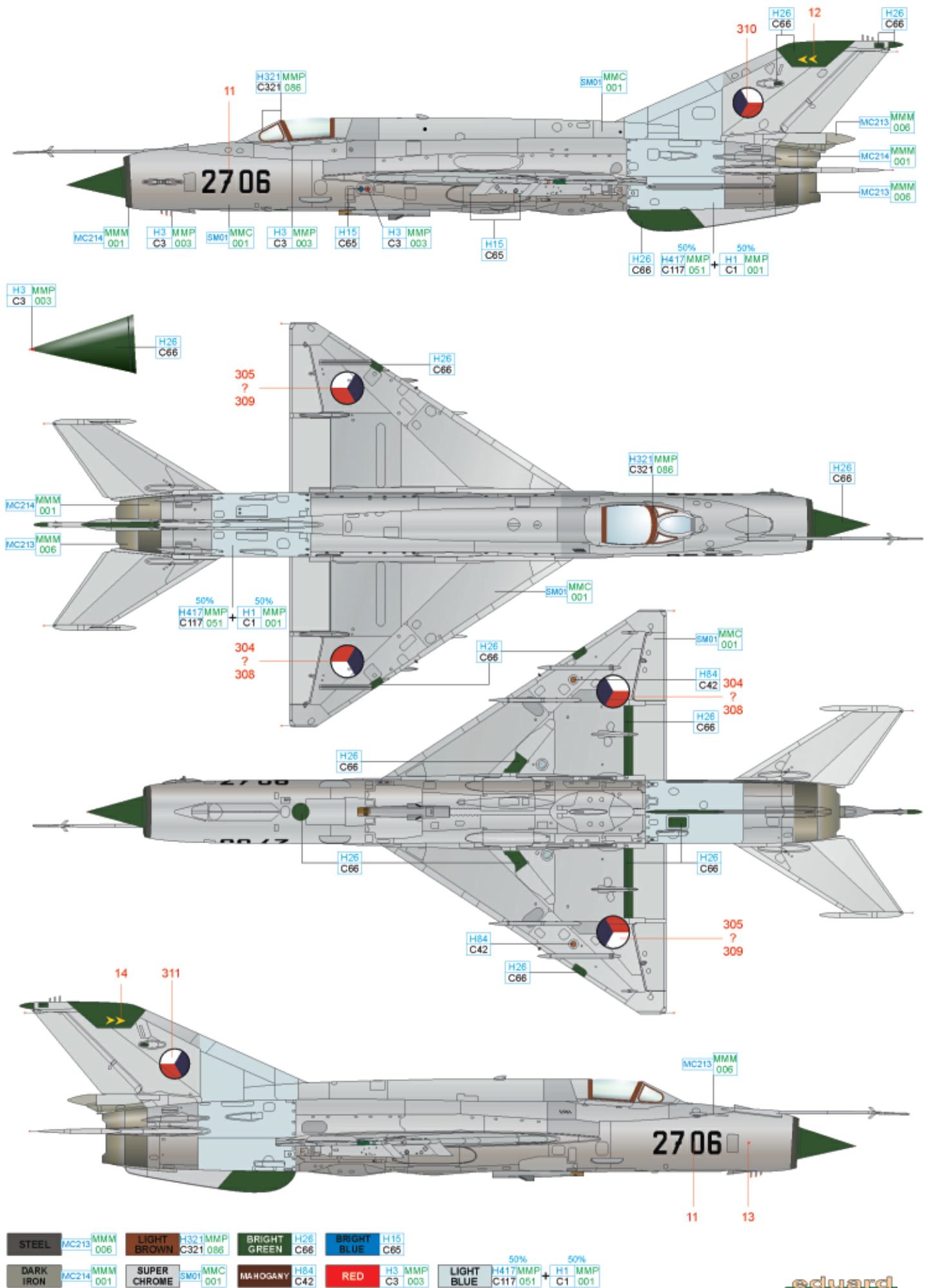
**MiG-21**  
**MF**

**CAMO SCHEMES**

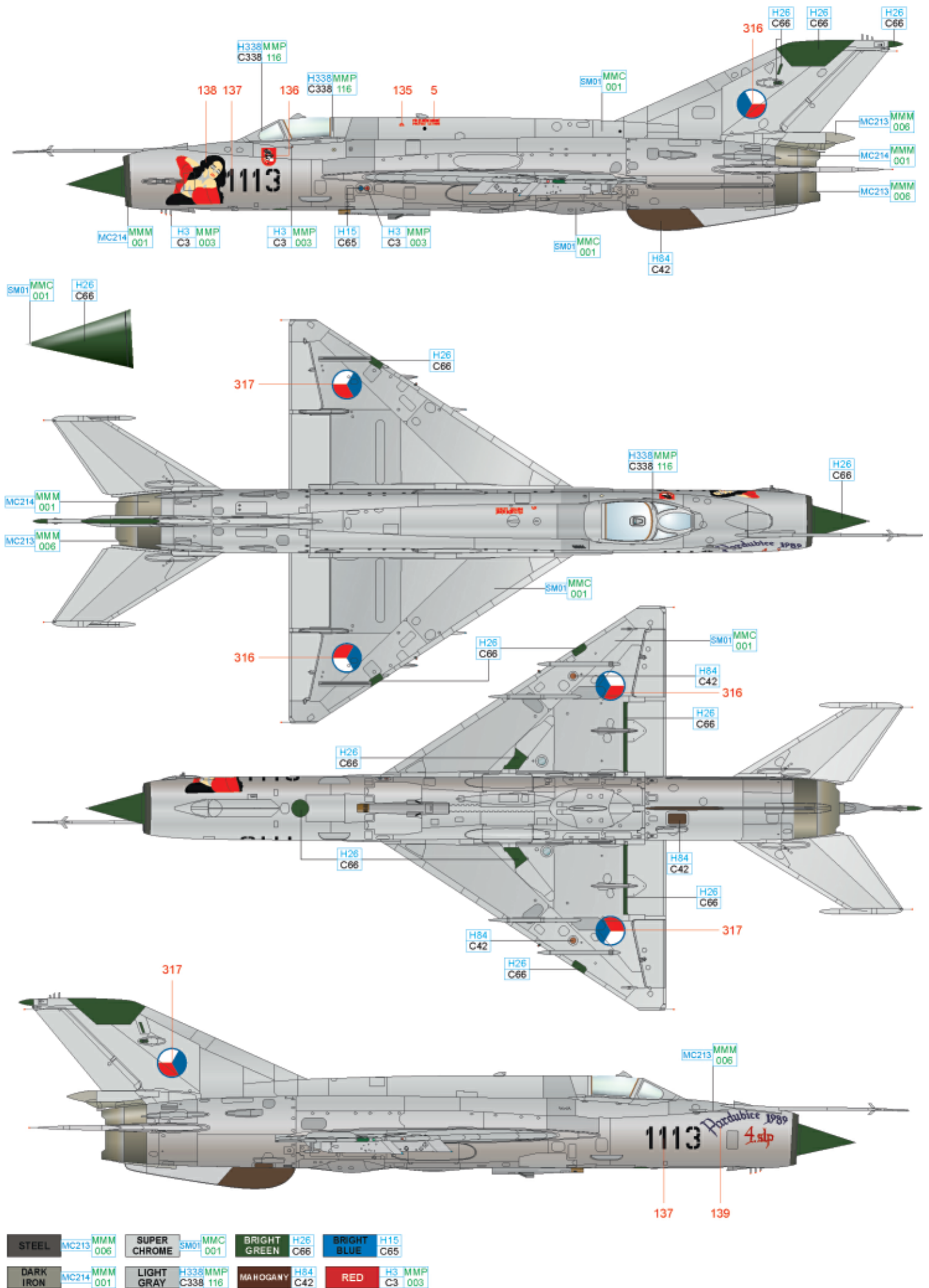
**1/72**

2127-NAV2

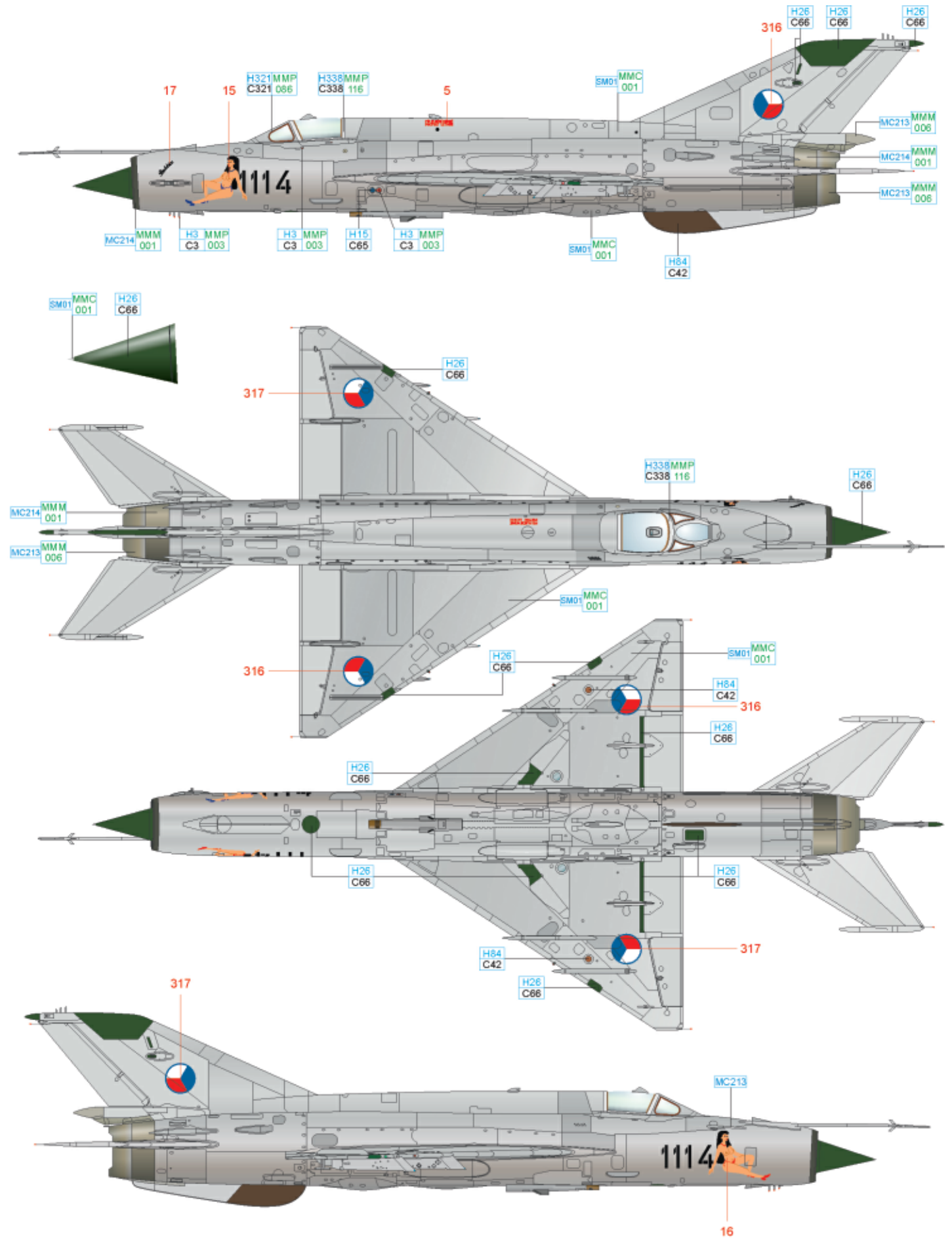
# 1 MiG-21M, 2nd Squadron, 4th Fighter Air Regiment, Pardubice air base, May 9th, 1975



## 2 MiG-21M, 1st Squadron, 4th Fighter Air Regiment, Pardubice air base, June 1989



# 3 MiG-21M, 1st Squadron, 4th Fighter Air Regiment, Pardubice air base, June 1989

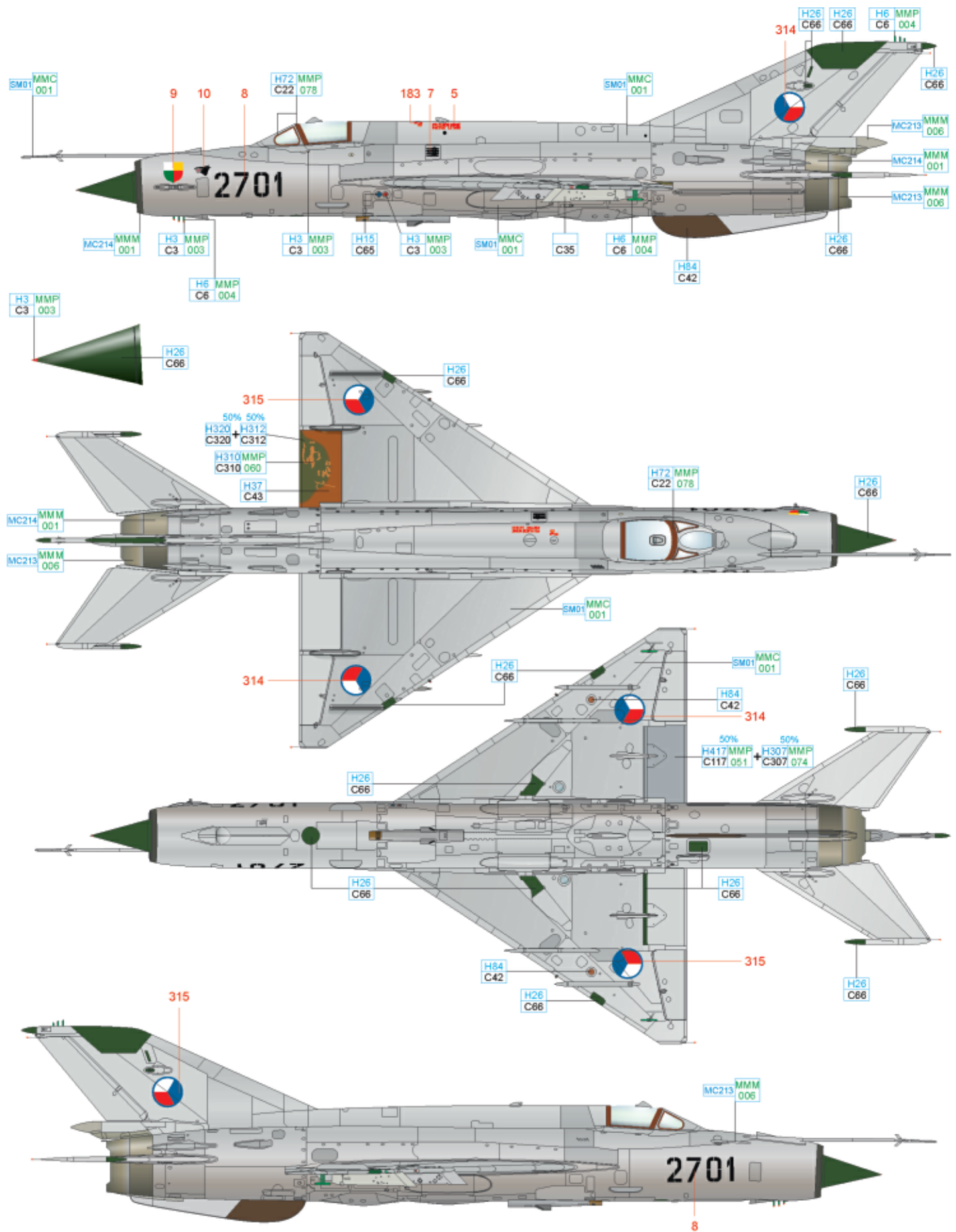


STEEL	MC213	MMM 006	SUPER CHROME	SM01	MMC 001	BRIGHT GREEN	H26 C66	BRIGHT BLUE	H15 C65	
DARK IRON	MC214	MMM 001	LIGHT GRAY	H338 MMP C338 116	MAHOGANY	H84 C42	RED	H3 MMP C3 003	LIGHT BROWN	H321 MMP C321 086

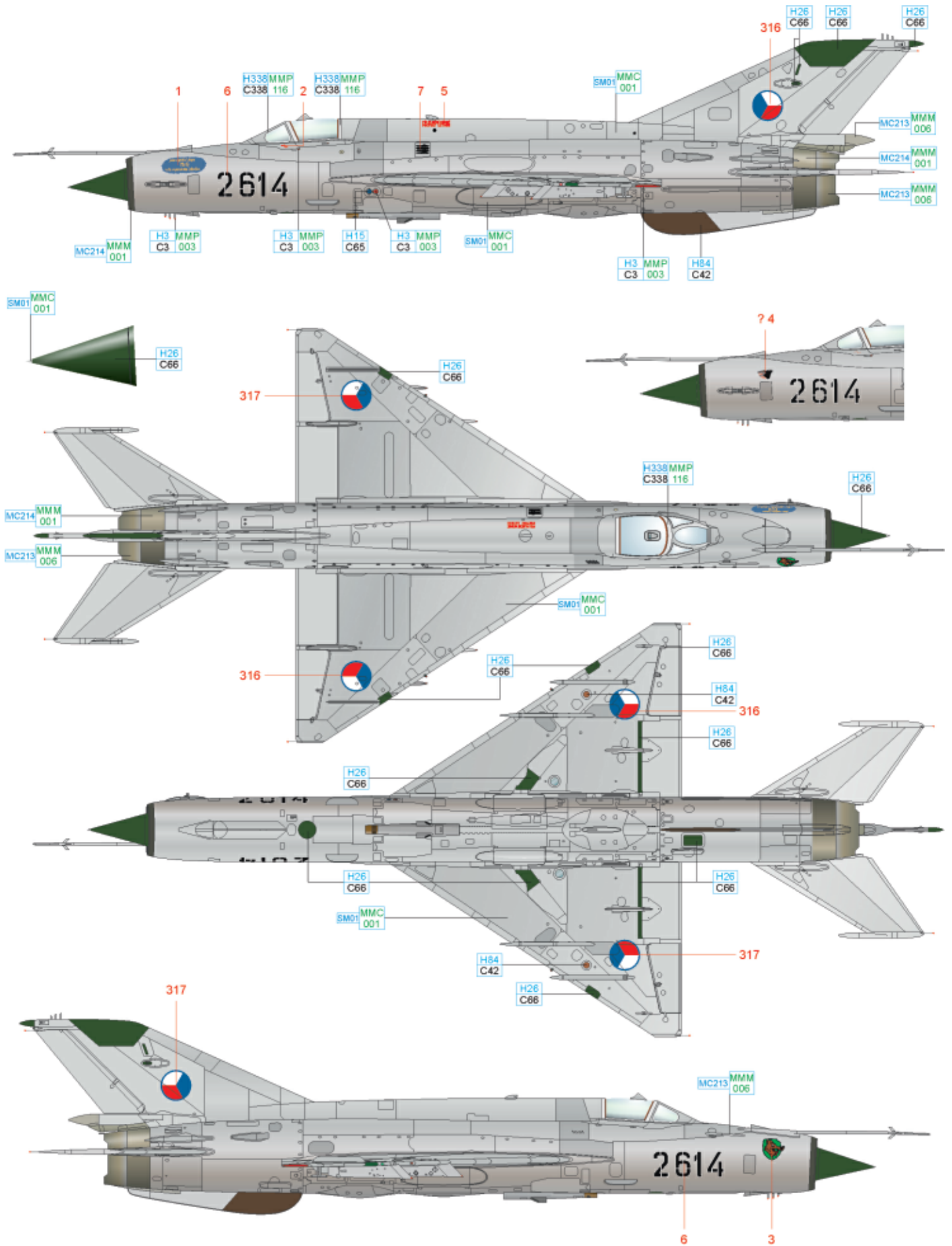




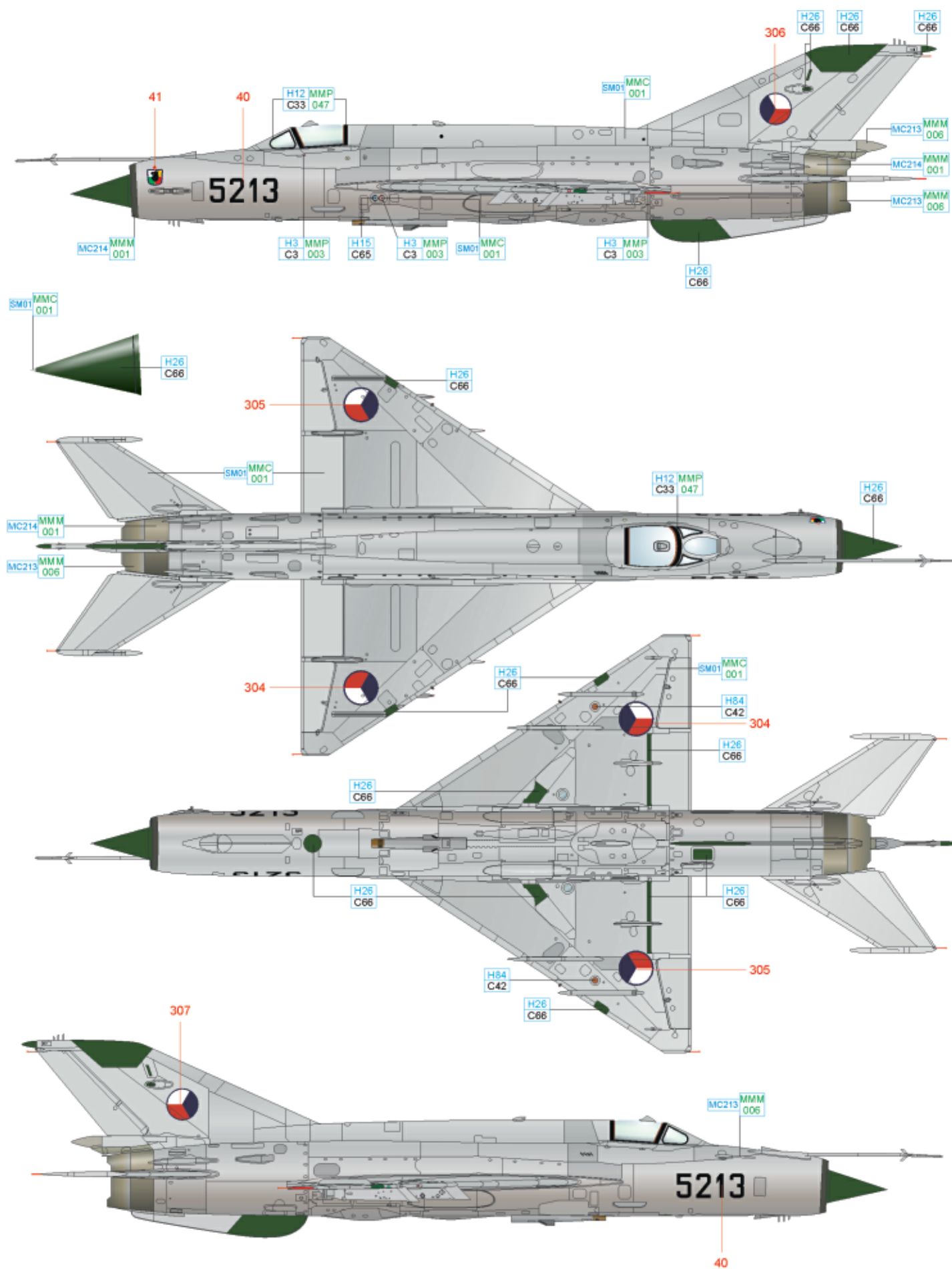
# 5 MiG-21M, 2nd Squadron, 11th Fighter Air Regiment, Zatec air base, June 1993



STEEL	MC213	MMM 006	DARK EARTH	H72 MMP C22 078	BRIGHT GREEN	H26 C66	BRIGHT BLUE	H15 C65	BROWN	H310 MMP C310 060	WOOD BROWN	H37 C43	GRAY	50% H417 MMP C117 051 + 50% H307 MMP C307 074
DARK IRON	MC214	MMM 001	SUPER CHROME	SM01	MAHOGANY	H84 C42	RED	H3 MMP C3 003	GREEN	H6 MMP C6 004	LIGHT GRAY	C35	LIGHT GREEN	50% H320 C320 + 50% H312 C312

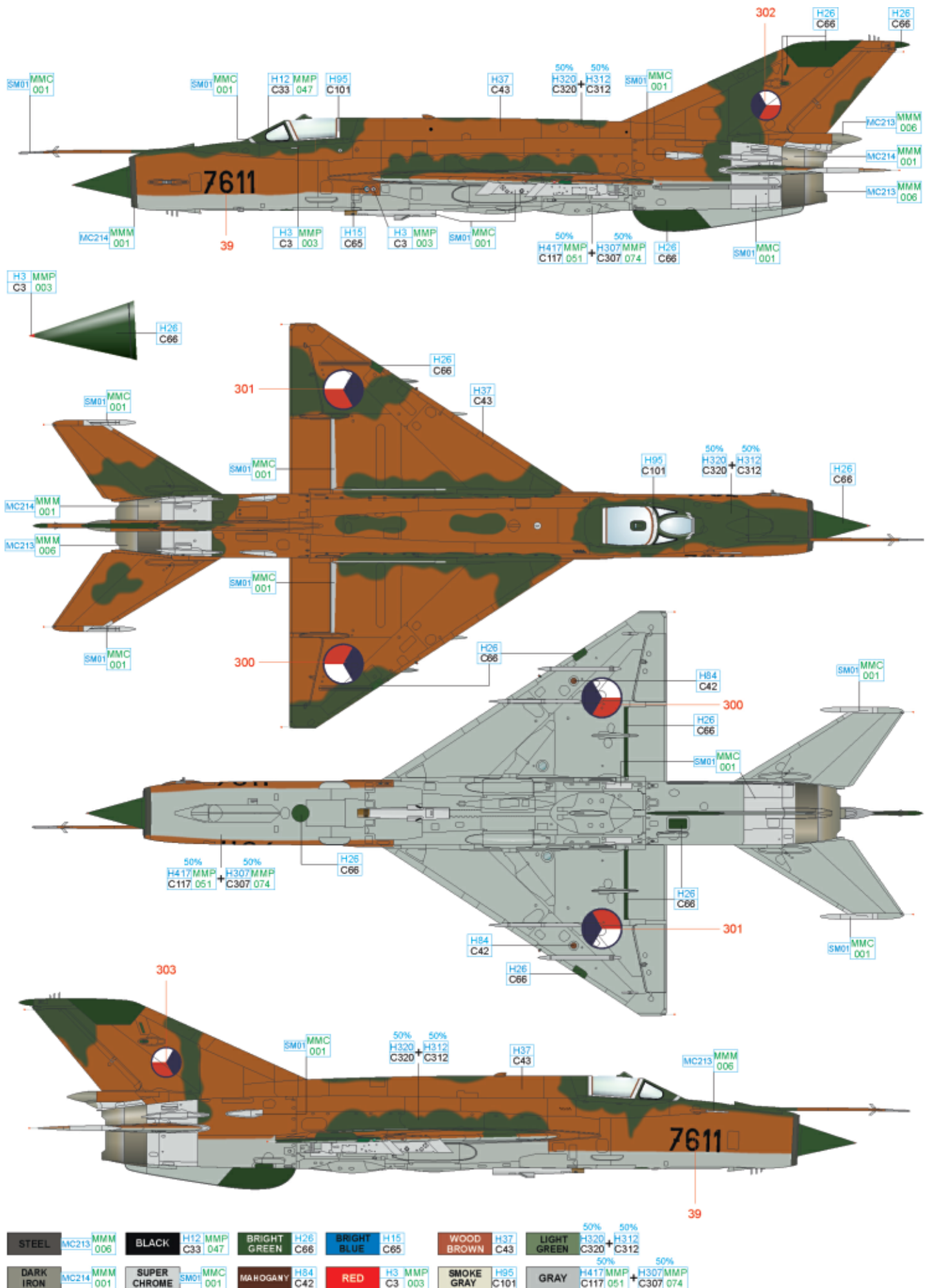


STEEL	MC213	MMM 006	LIGHT GRAY	H338 MMP C338 116	BRIGHT GREEN	H26 C66	BRIGHT BLUE	H15 C65
DARK IRON	MC214	MMM 001	SUPER CHROME	SM01 MMC 001	MAHOGANY	H84 C42	RED	H3 MMP C3 003

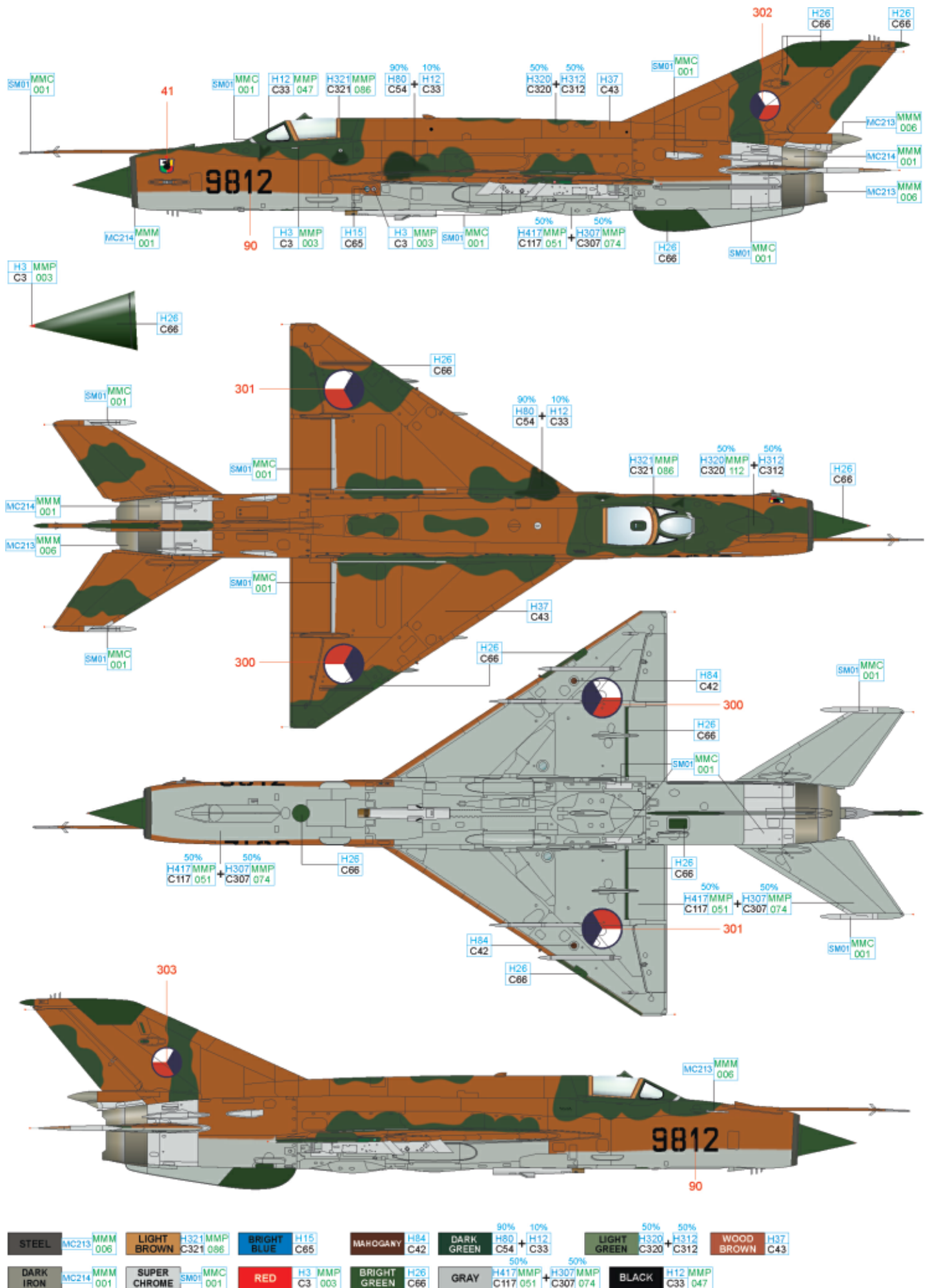


STEEL	MC213	MMM	006	BLACK	H12	MMP	C33	047	BRIGHT GREEN	H26	C66	BRIGHT BLUE	H15	C65	
DARK IRON	MC214	MMM	001	SUPER CHROME	SM01	MMC	001	MAHOGANY	H84	C42	RED	H3	MMP	C3	003

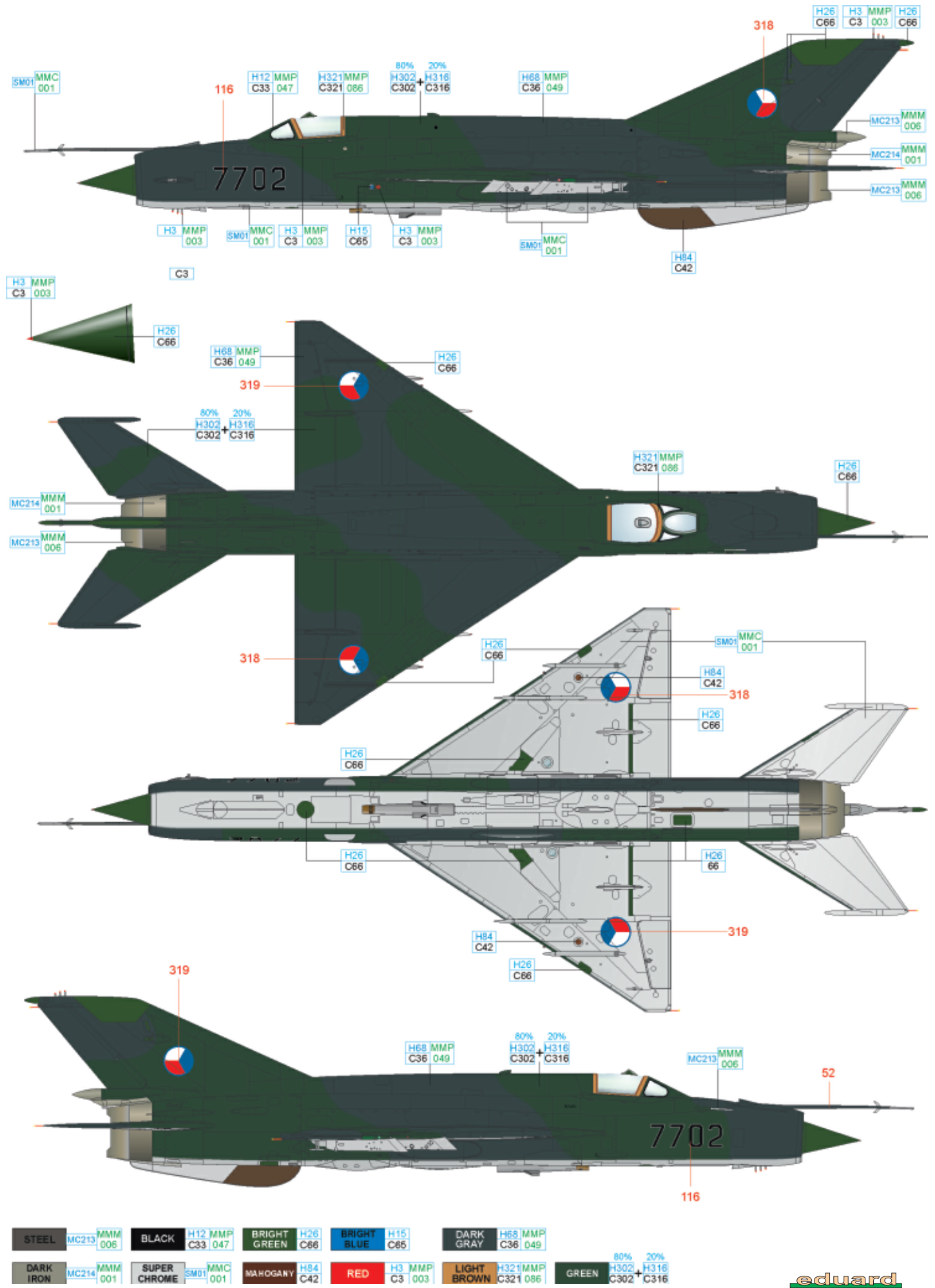
# 8 MiG-21MF, 1st Squadron, 5th Fighter Air Regiment, Plzen Line air base, 1973 - ca 1982



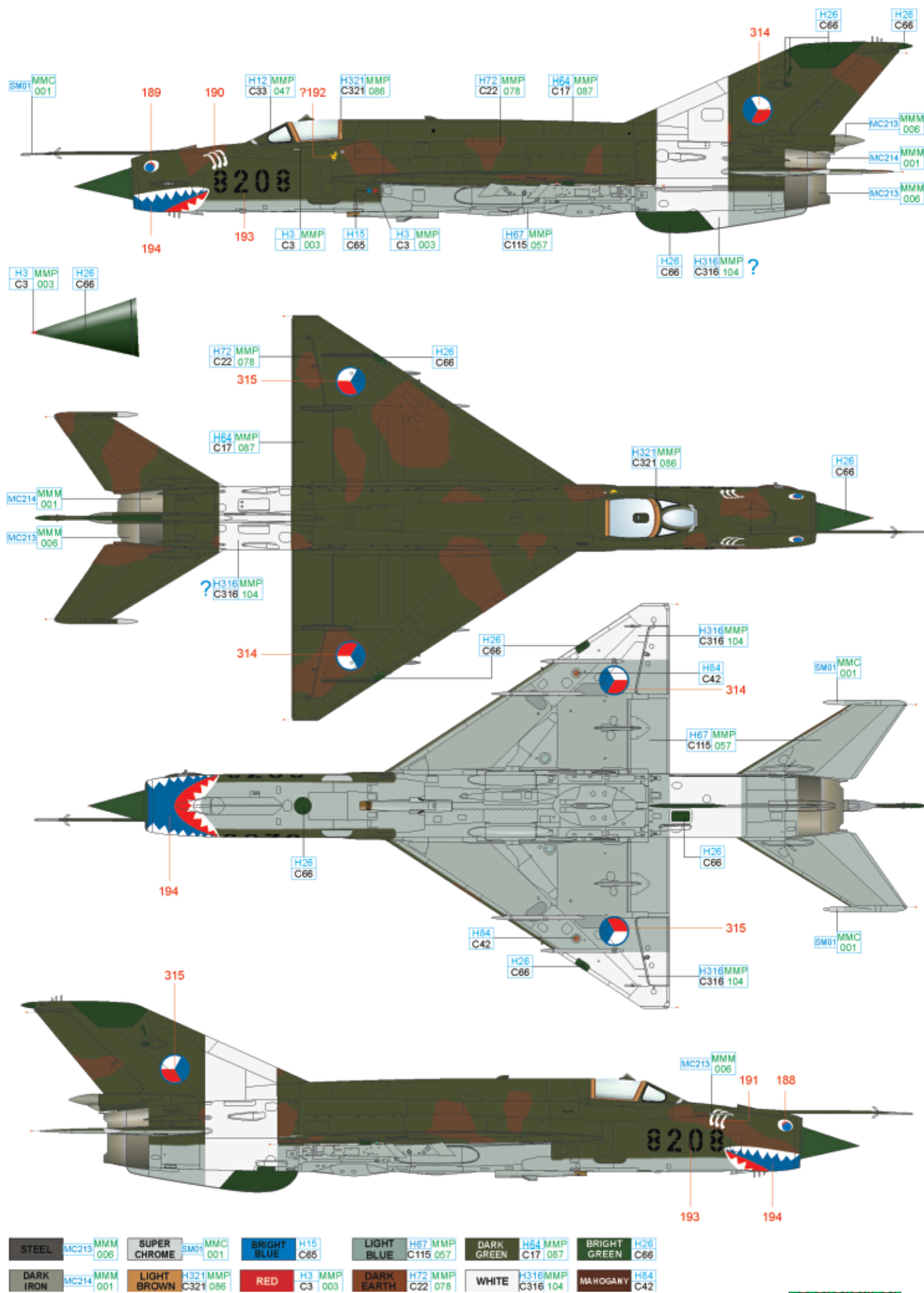
# 9 MiG-21MF, 1st Squadron, 5th Fighter Air Regiment, Plzen Line air base, 1974 – ca 1983



# 10 MiG-21MF, 1st Squadron, 6th Fighter-Bomber Air Regiment, Prerov Bochor air base, September 1984

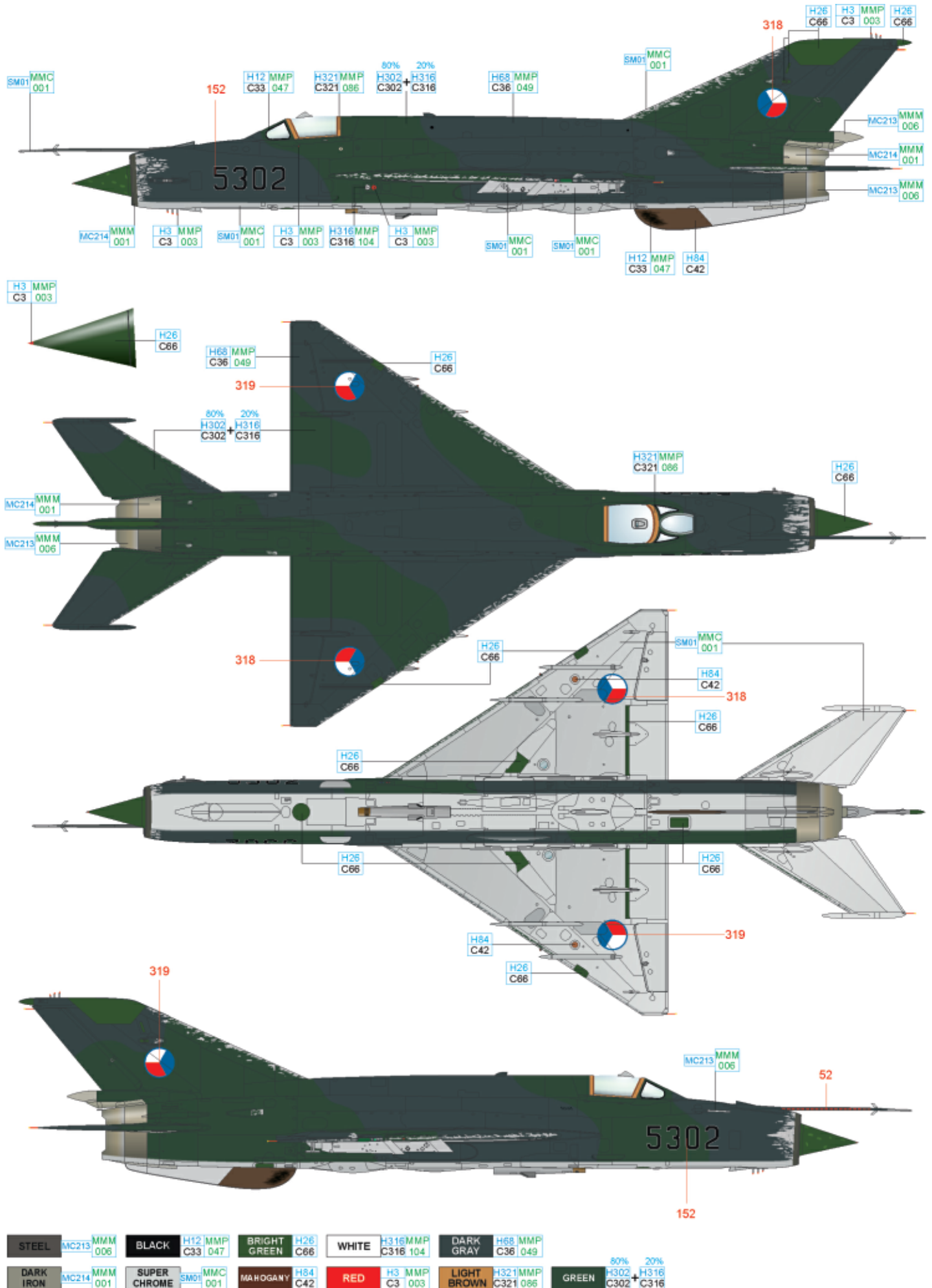


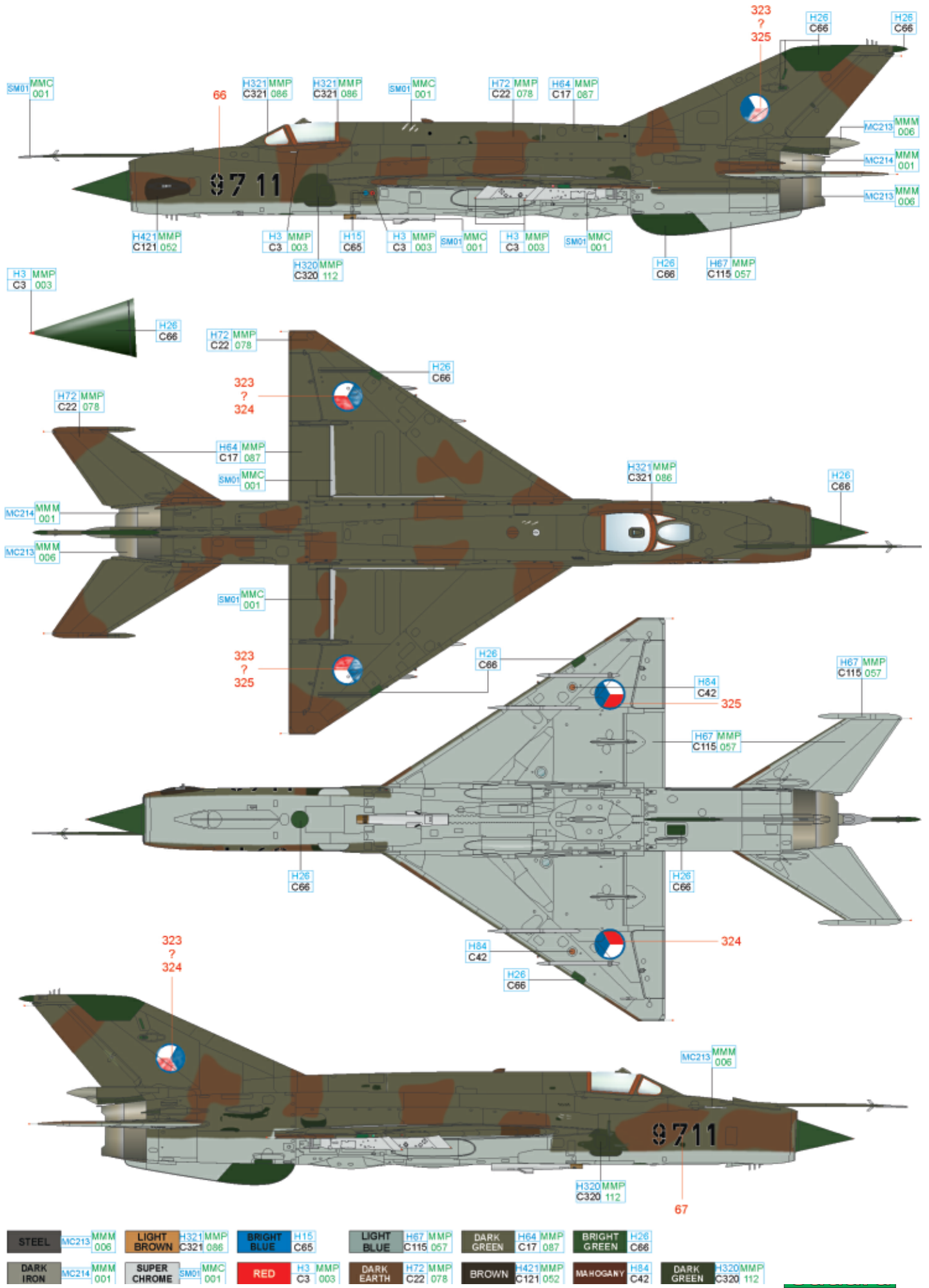
# 11 MiG-21MF, 2nd Squadron, 6th Fighter-Bomber Air Regiment, Pribram Dlouha Lhota air base, September 1986

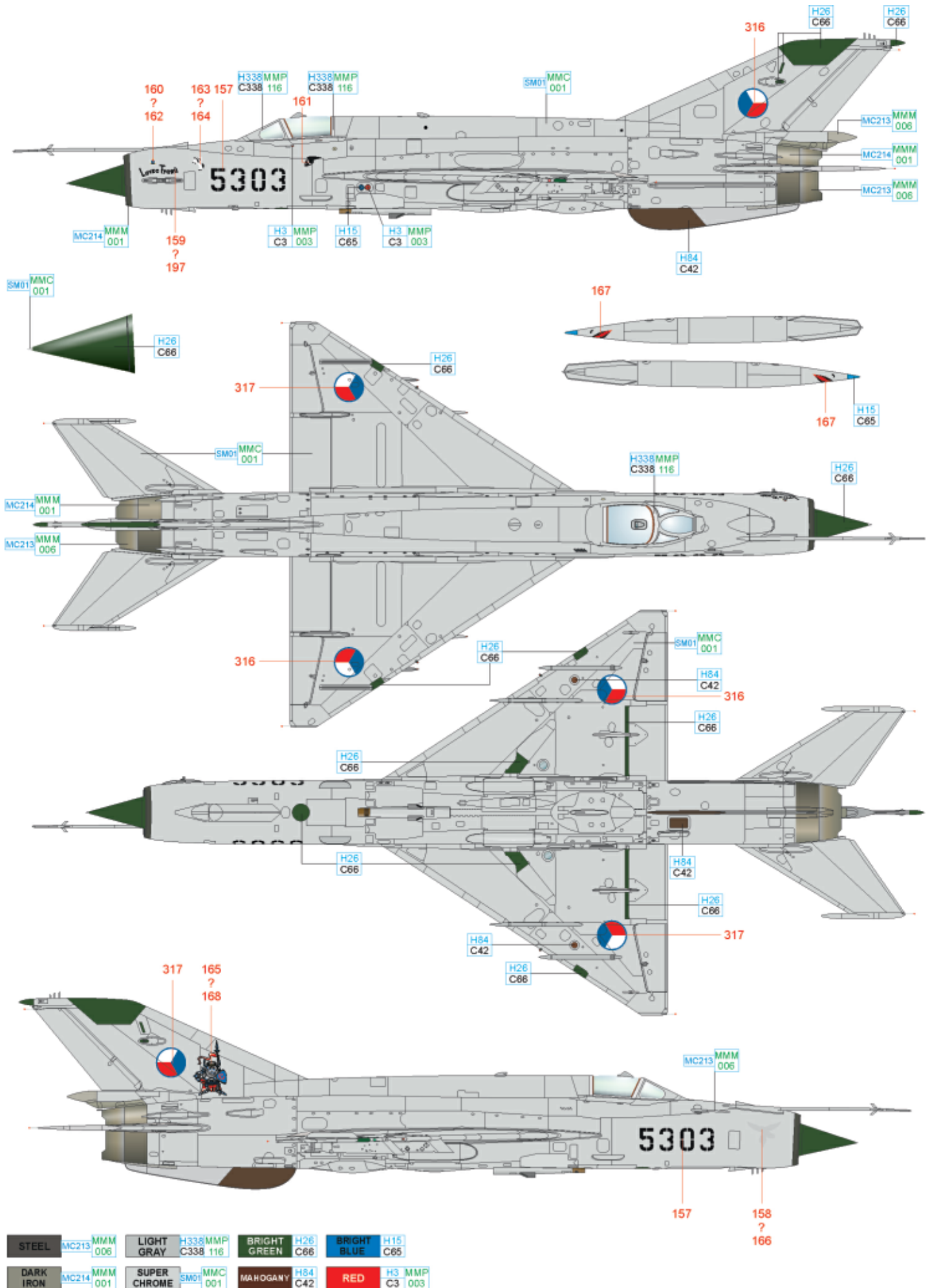


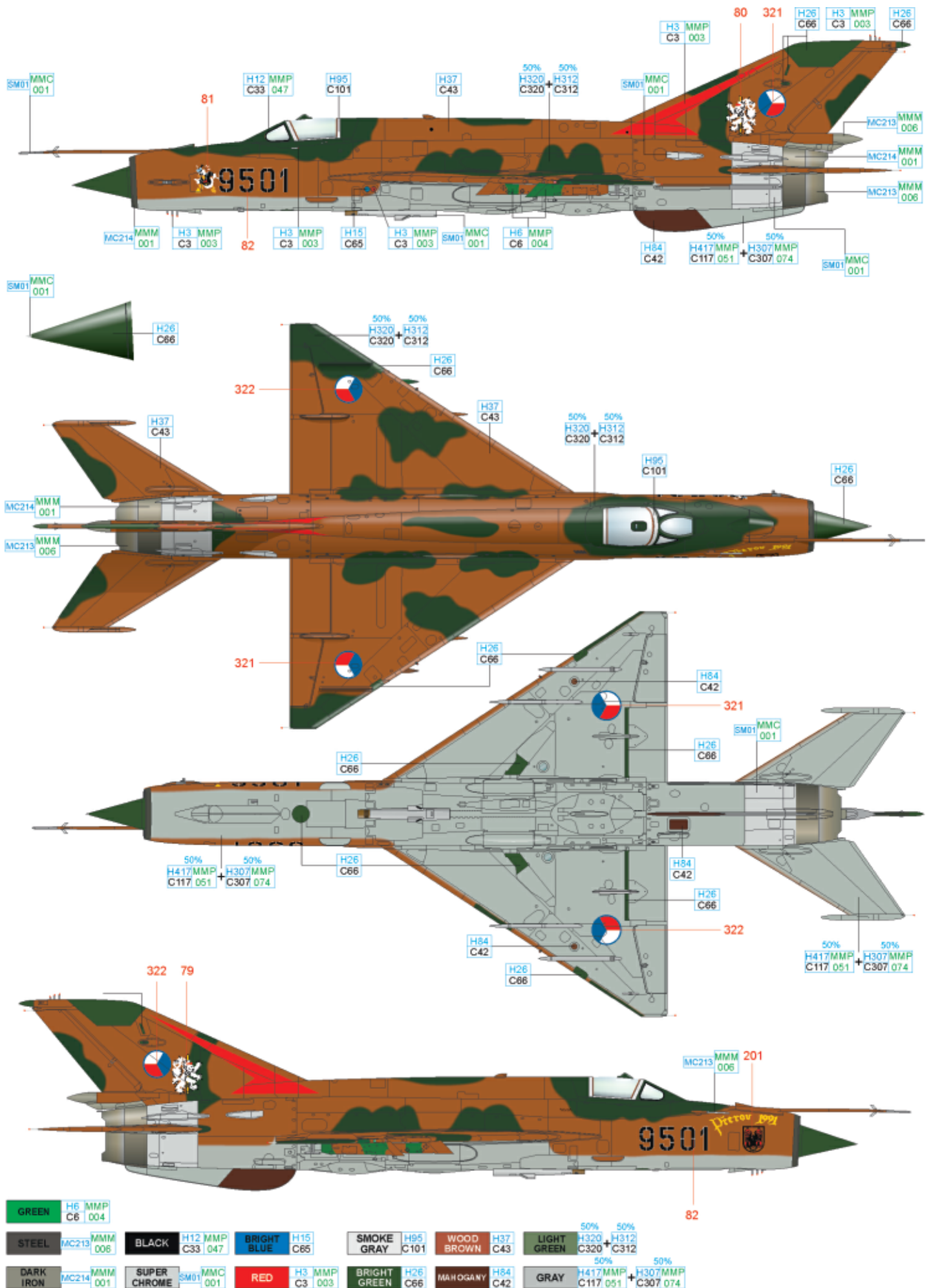


# 12 MiG-21MF, 1st Squadron, 5th Fighter Air Regiment, Plzen Line air base, spring 1990

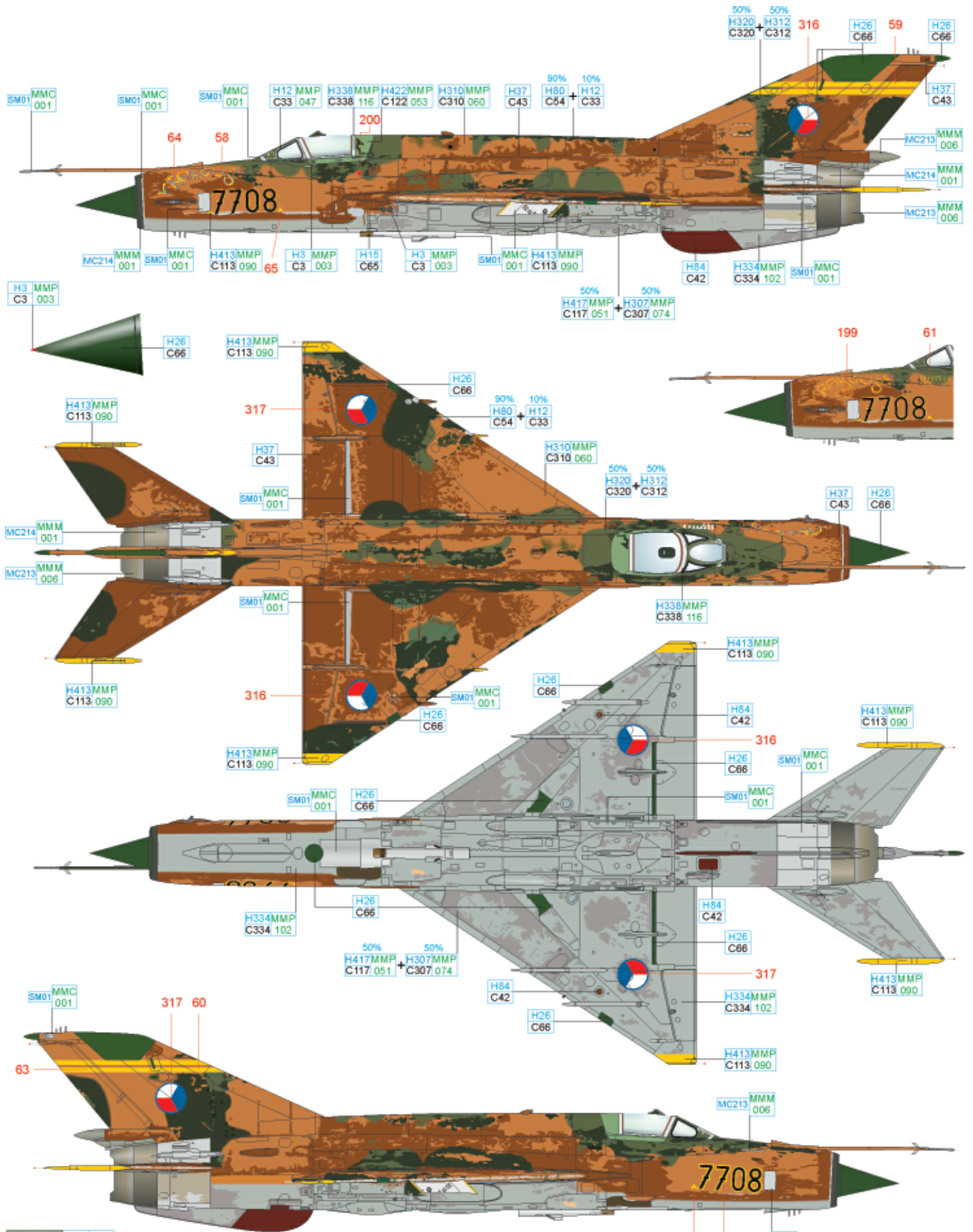




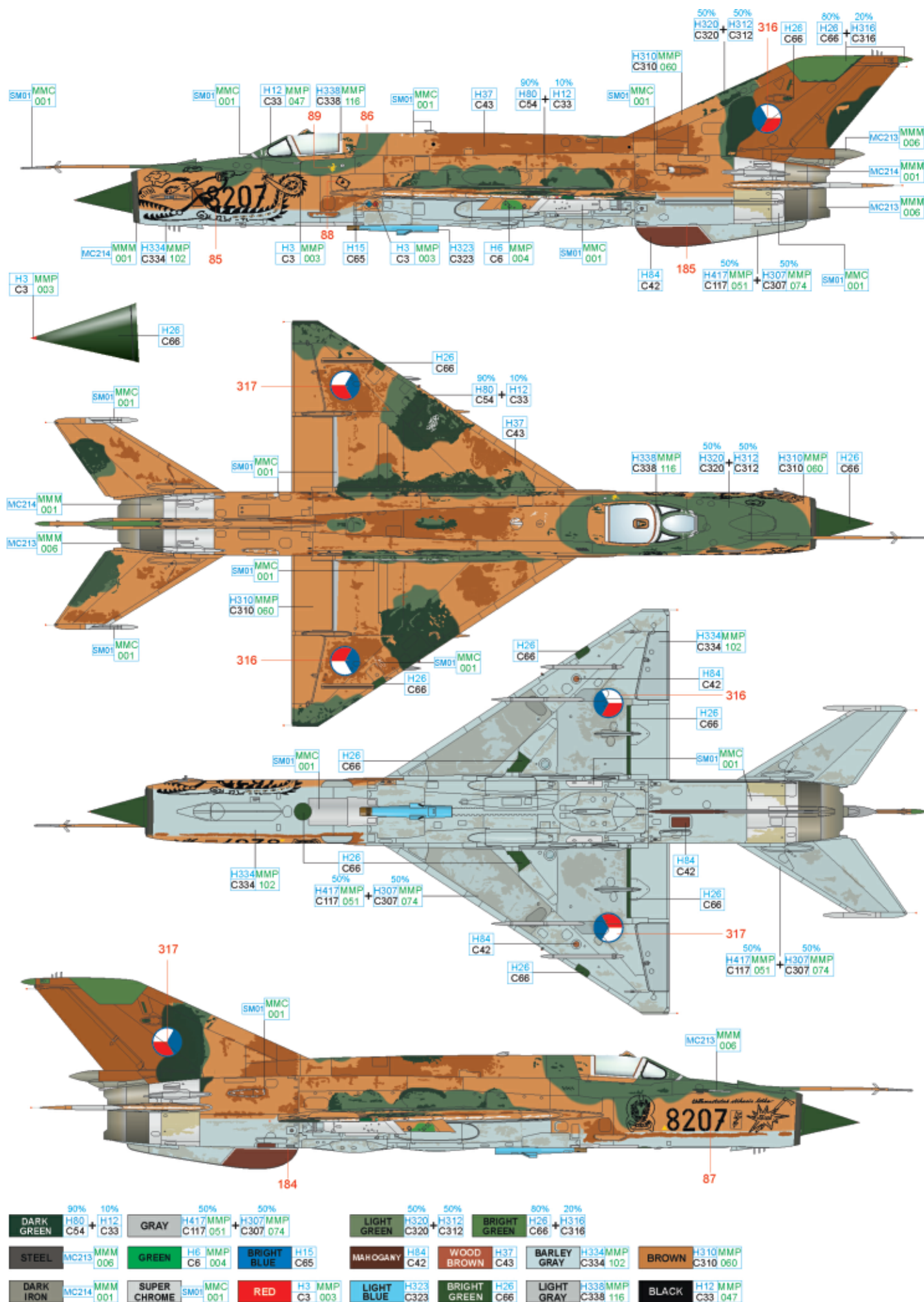




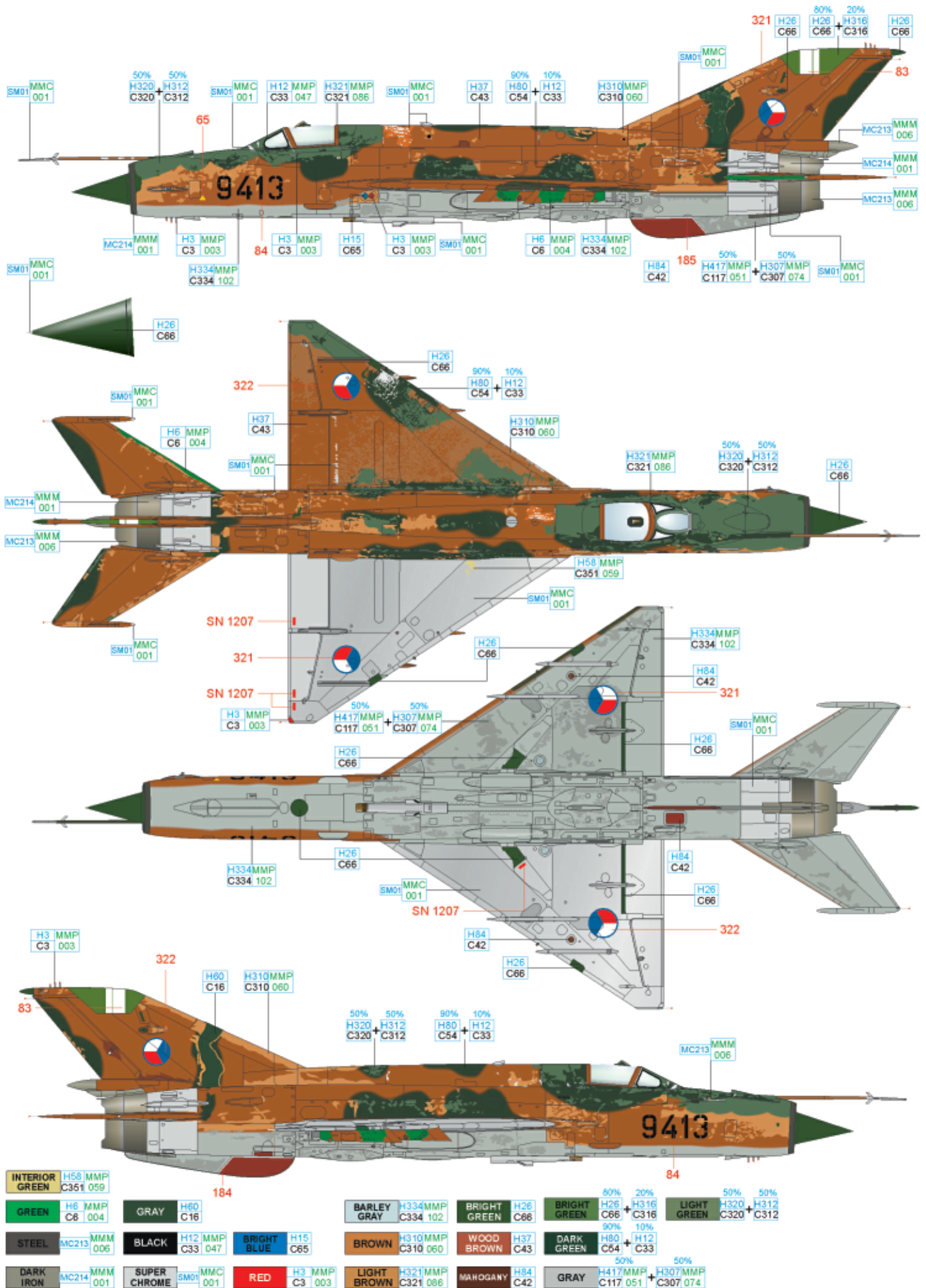
# 16 MiG-21MF, 1st Squadron, 9th Fighter-Bomber Air Regiment, Bechyne air base, July 1992



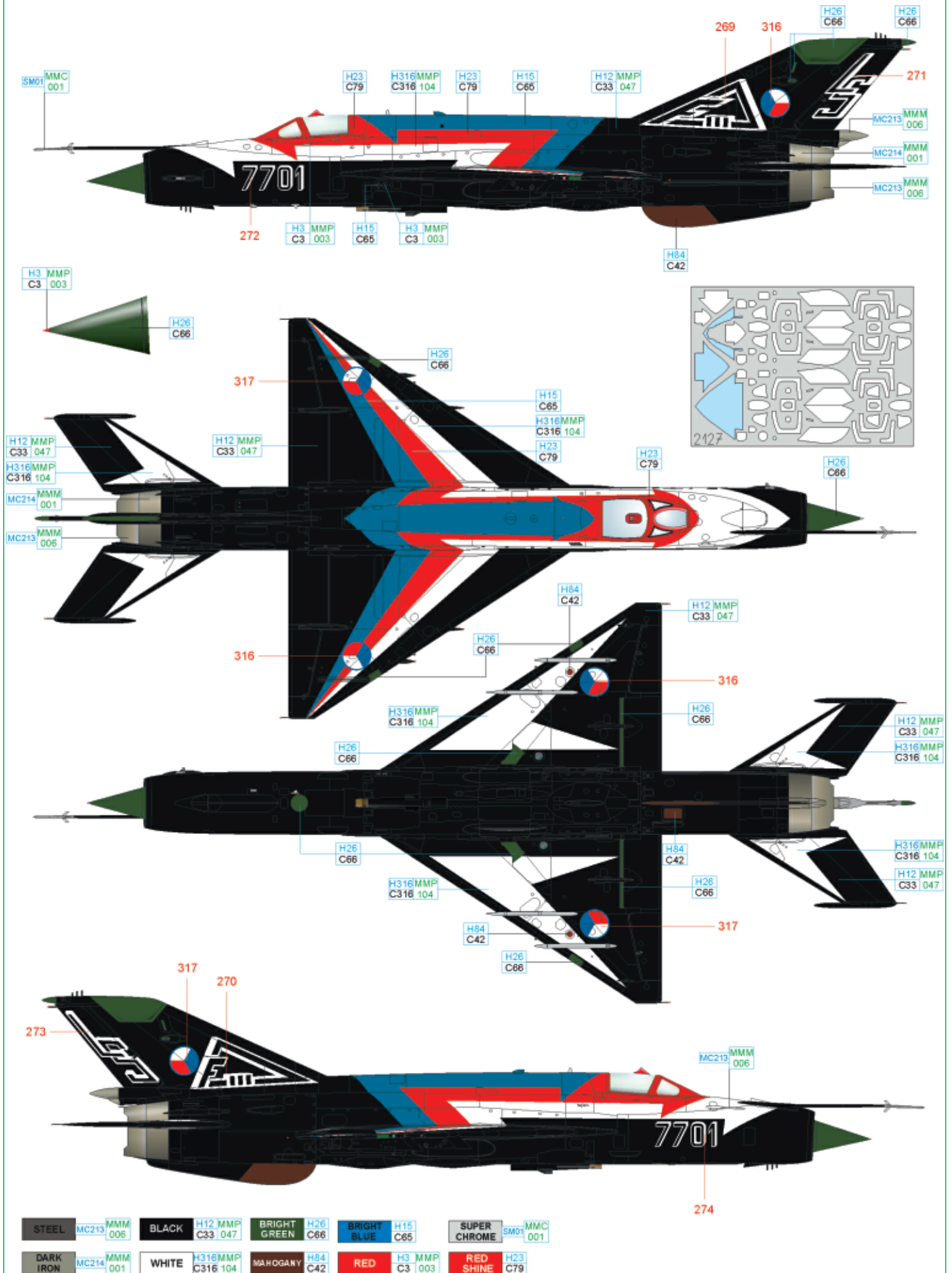
<b>LIGHT GREEN</b>	H422MMP C122 053	<b>GRAY</b>	50% H417MMP C117 051 + 50% H307MMP C307 074	<b>LIGHT GREEN</b>	50% H320 C320 + 50% H312 C312
<b>YELLOW</b>	H413MMP C113 090	<b>GRAY</b>	50% H338MMP C338 116	<b>LIGHT GREEN</b>	90% H80 C84 + 10% H12 C33
<b>STEEL</b>	MMC 001	<b>BRIGHT BLUE</b>	H15 C65	<b>MAHOGANY</b>	H84 C42
<b>SUPER CHROME</b>	MMC 001	<b>LIGHT GRAY</b>	H338MMP C338 116	<b>DARK GREEN</b>	90% H80 C84 + 10% H12 C33
<b>DARK IRON</b>	MMC 001	<b>BLACK</b>	H12 MMP C33 047	<b>WOOD BROWN</b>	H37 C43
		<b>RED</b>	H3 MMP C3 003	<b>BROWN</b>	80% H37 C43 + 20% H12 C33
				<b>BROWN</b>	H310MMP C310 060
				<b>WOOD BROWN</b>	H37 C43
				<b>BROWN</b>	H37 C43 + H12 C33
				<b>BARLEY GRAY</b>	H334MMP C334 102

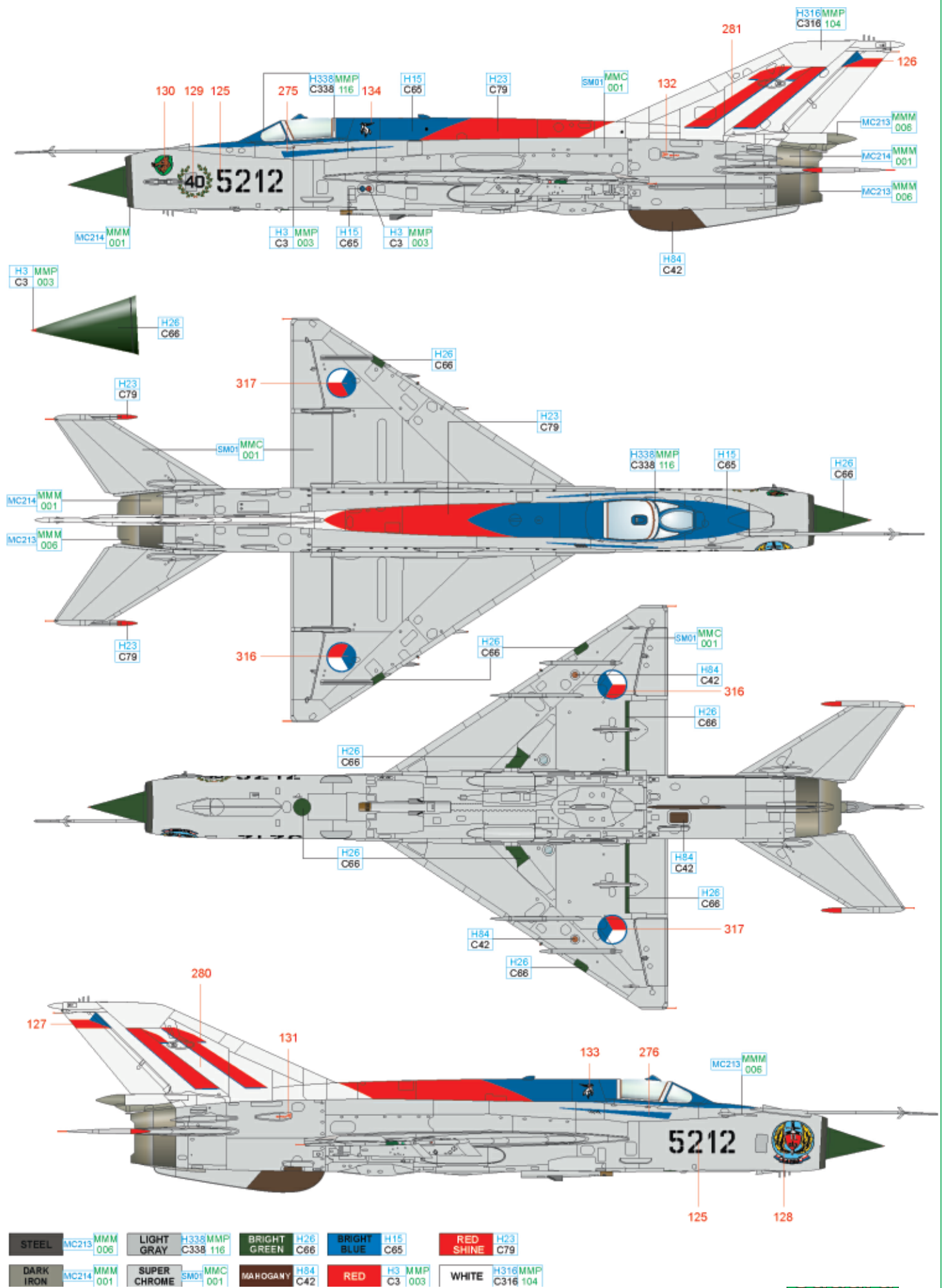


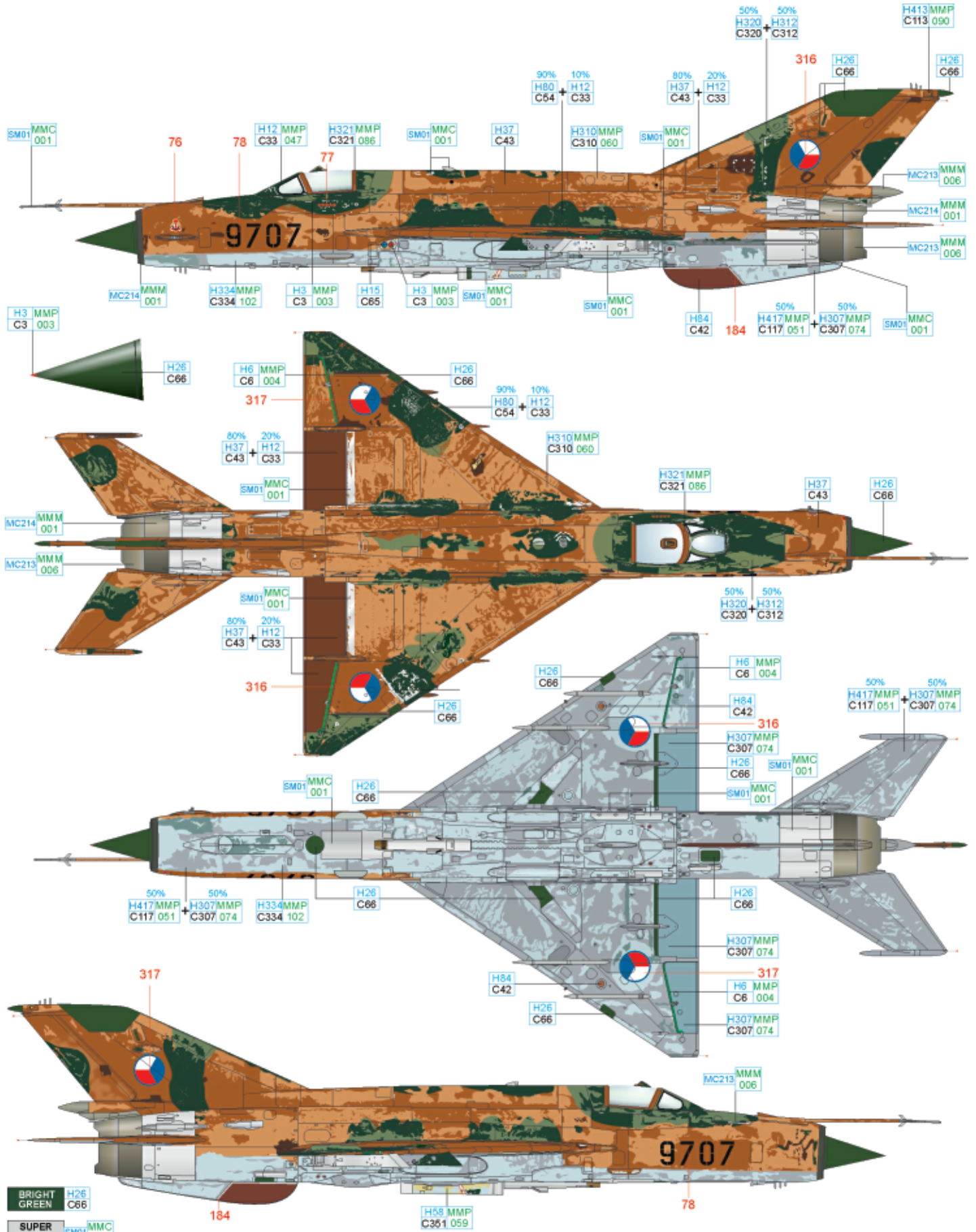




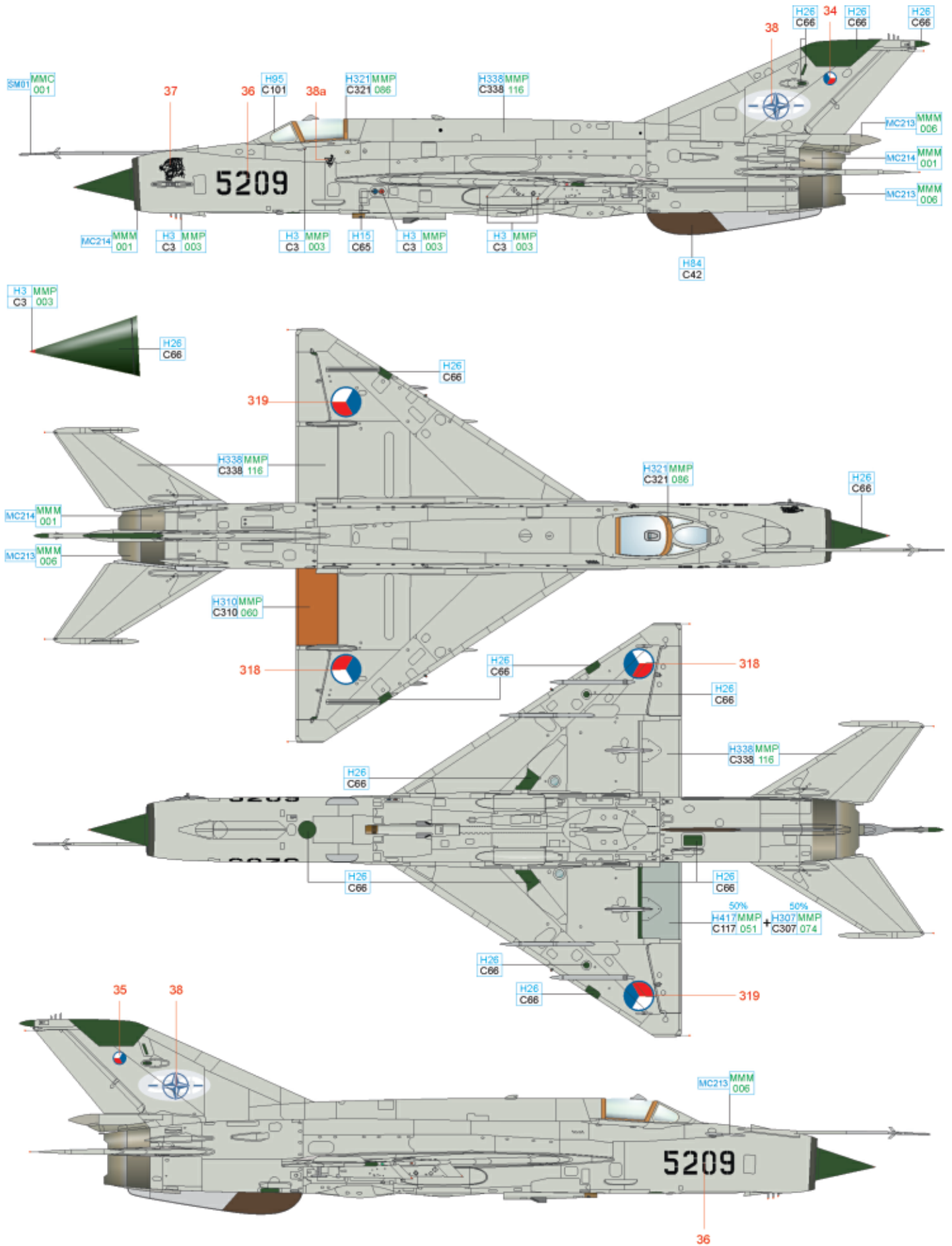




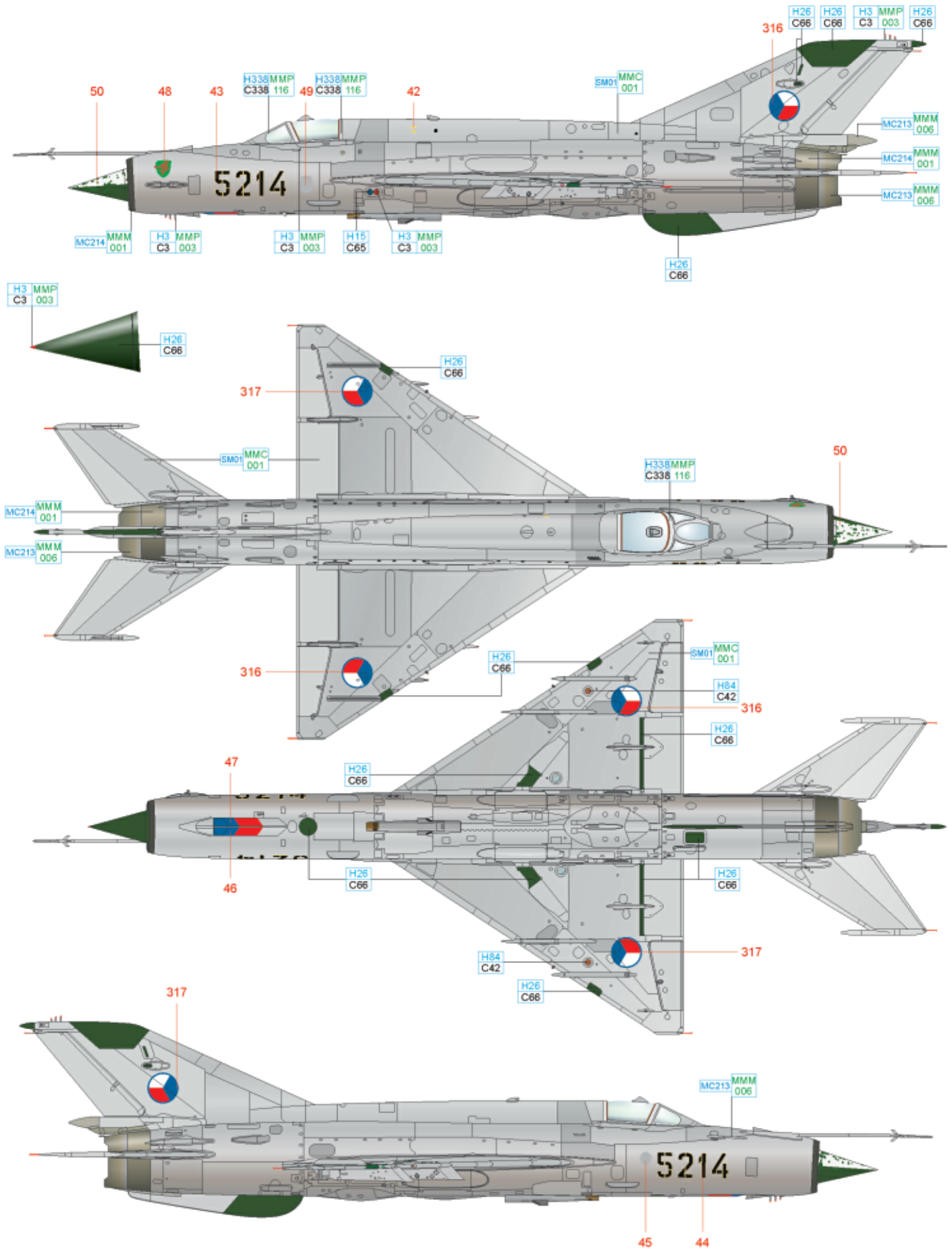




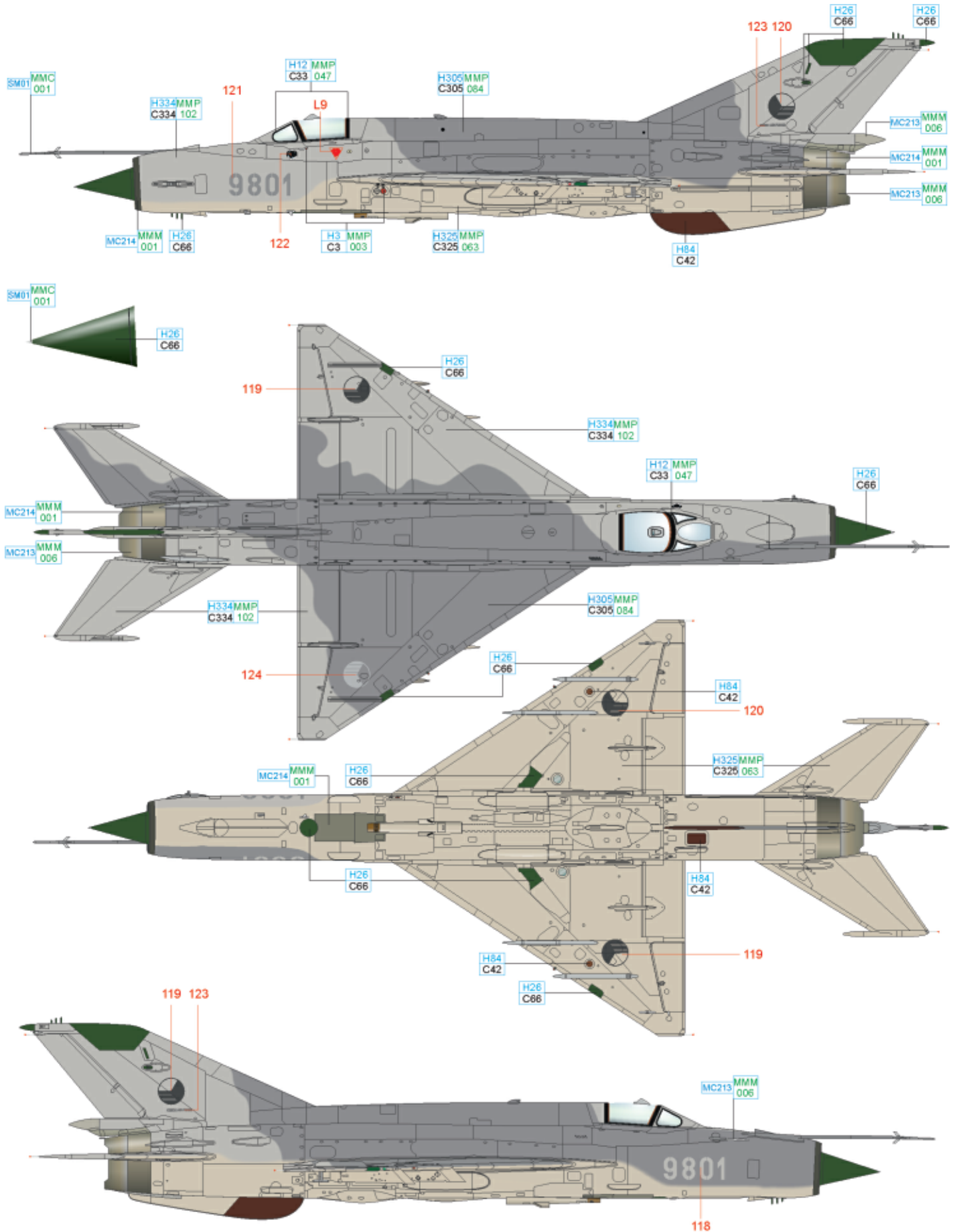
BRIGHT GREEN	H26 C66	MAHOGANY	H84 C42	WOOD BROWN	H37 C43	BROWN	H310MMP C310 060	LIGHT GREEN	50% H320 C320 + 50% H312 C312	BROWN	80% H37 C43 + 20% H12 C33	BARLEY GRAY	H334MMP C334 102	GREEN	H6 MMP C6 004
SUPER CHROME	SM01 MMC 001	GRAY	H307MMP C307 074	BRIGHT BLUE	H15 C65	BROWN	H321MMP C321 086	DARK GREEN	H80 C54 + H12 C33	GRAY	H417MMP C117 051 + H307MMP C307 074				
INTERIOR GREEN	H58 MMP C351 059	STEEL	MC213 MMM 006	YELLOW	H413MMP C113 090	RED	H3 MMP C3 003	GRAY	H334MMP C334 102	BLACK	H12 MMP C33 047				
STEEL	MC213 MMM 006	DARK IRON	MC214 MMM 001												



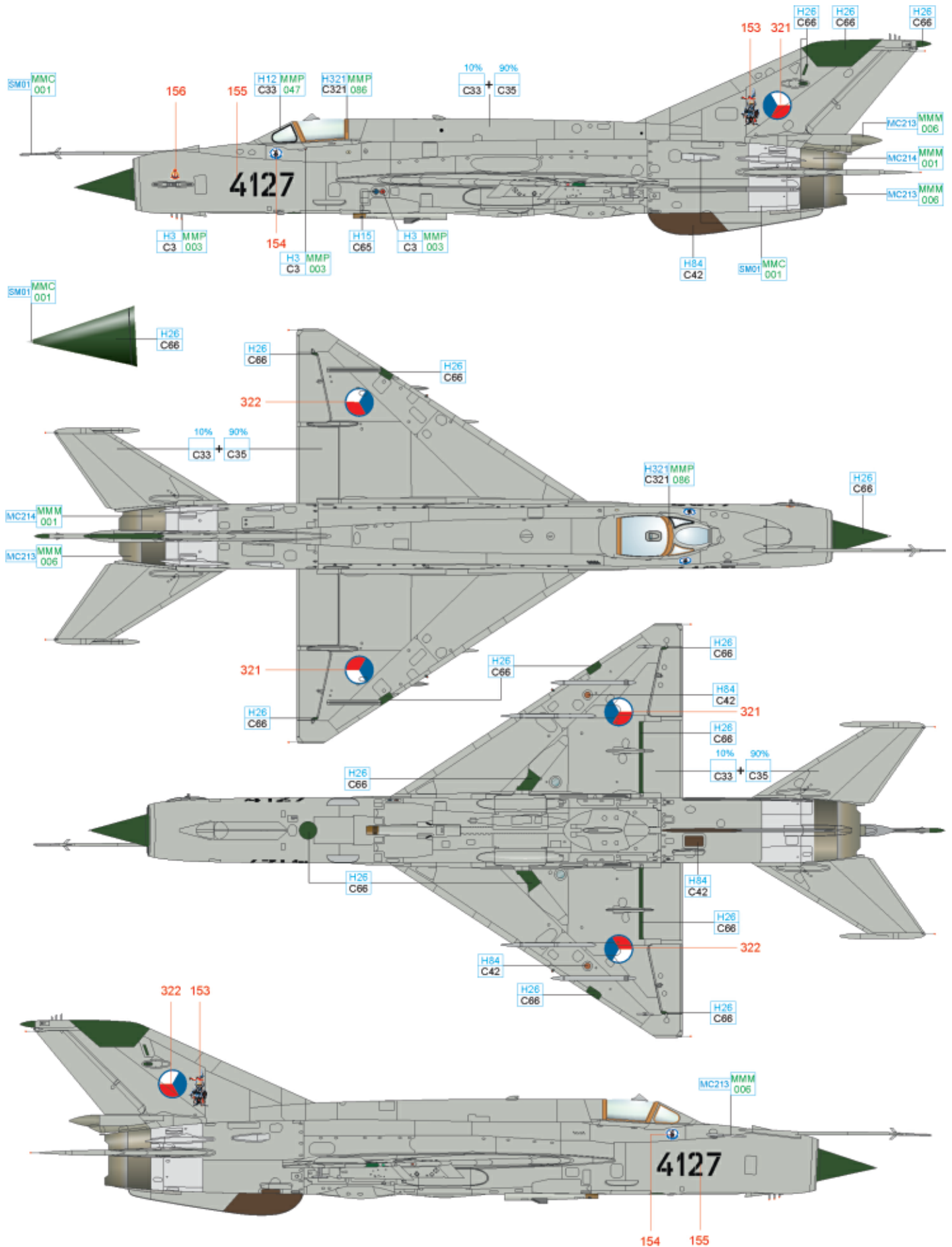
STEEL	MC213	MMM 006	LIGHT BROWN	H321 MMP C321 086	BRIGHT GREEN	H26 C66	BRIGHT BLUE	H15 C65	BROWN	H310 MMP C310 060	SMOKE GRAY	H95 C101
DARK IRON	MC214	MMM 001	SUPER CHROME	SM01	MAHOGANY	H84 C42	RED	H3 MMP C3 003	LIGHT GRAY	H338 MMP C338 116	GRAY	50% H417 MMP C117 051 + 50% H307 MMP C307 074



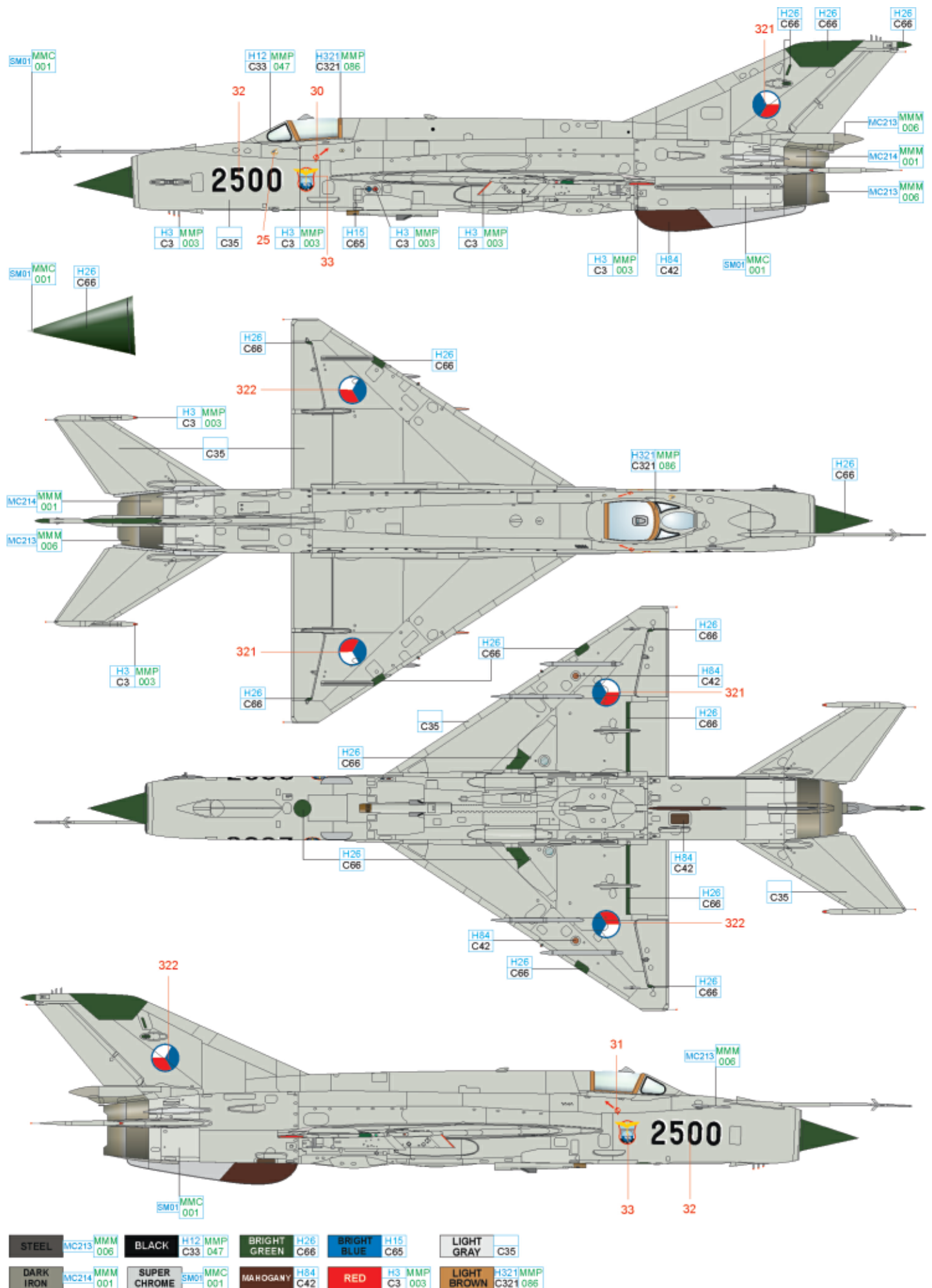
STEEL	MC213	MMM 006	LIGHT GRAY	H338MMP C338 116	BRIGHT GREEN	H26 C66	BRIGHT BLUE	H15 C65
DARK IRON	MC214	MMM 001	SUPER CHROME	SM01 MMC 001	MAHOGANY	H84 C42	RED	H3 MMP C3 003



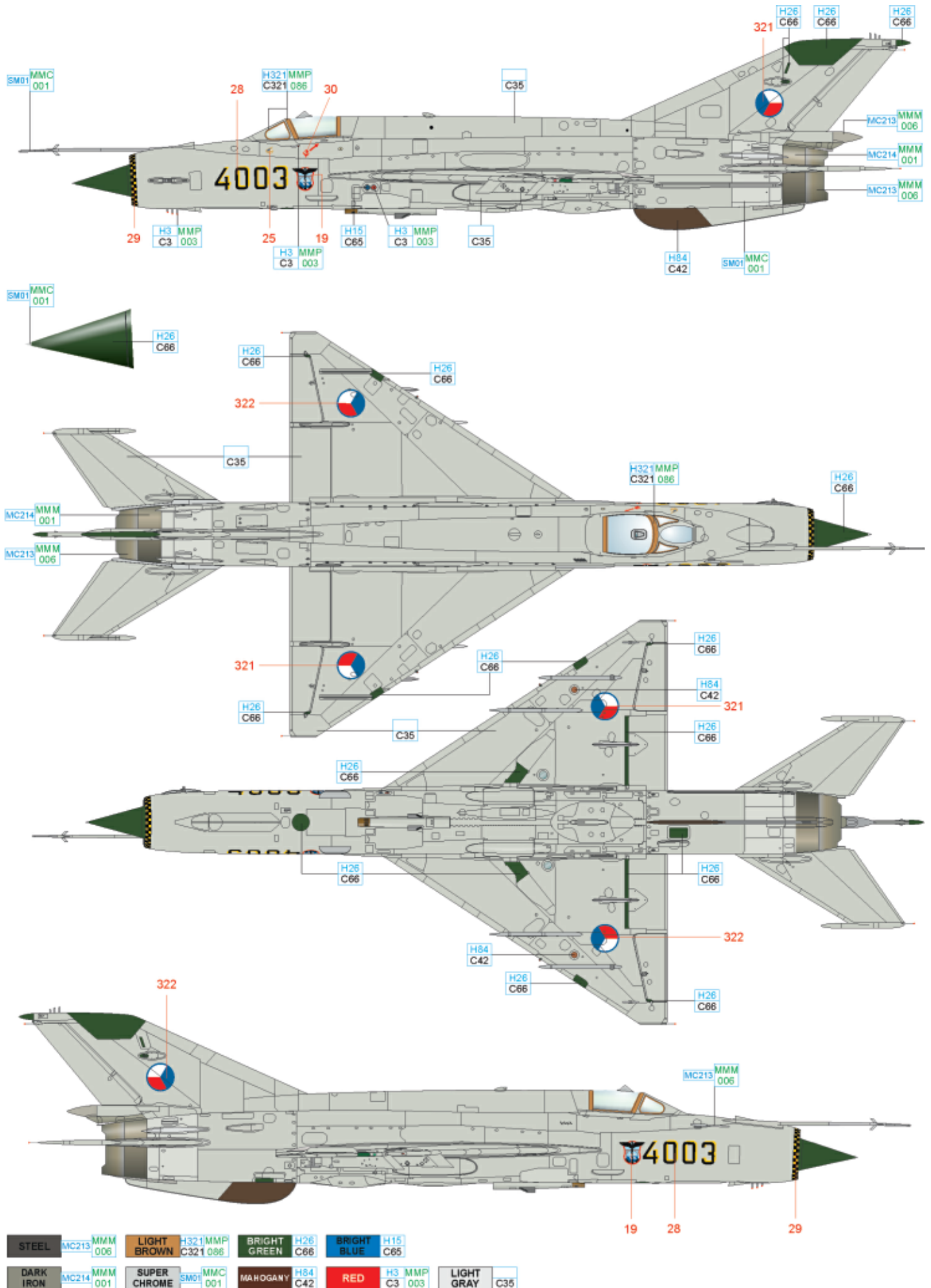
STEEL	MC213	MMM 006	BLACK	H12 MMP C33 047	GRAY	H325MMP C325 063	GRAY	H305MMP C305 084	MAHOGANY	H84 C42	
DARK IRON	MC214	MMM 001	SUPER CHROME	SM01	MMC 001	RED	H3 MMP C3 003	BARLEY GRAY	H334MMP C334 102	BRIGHT GREEN	H26 C66

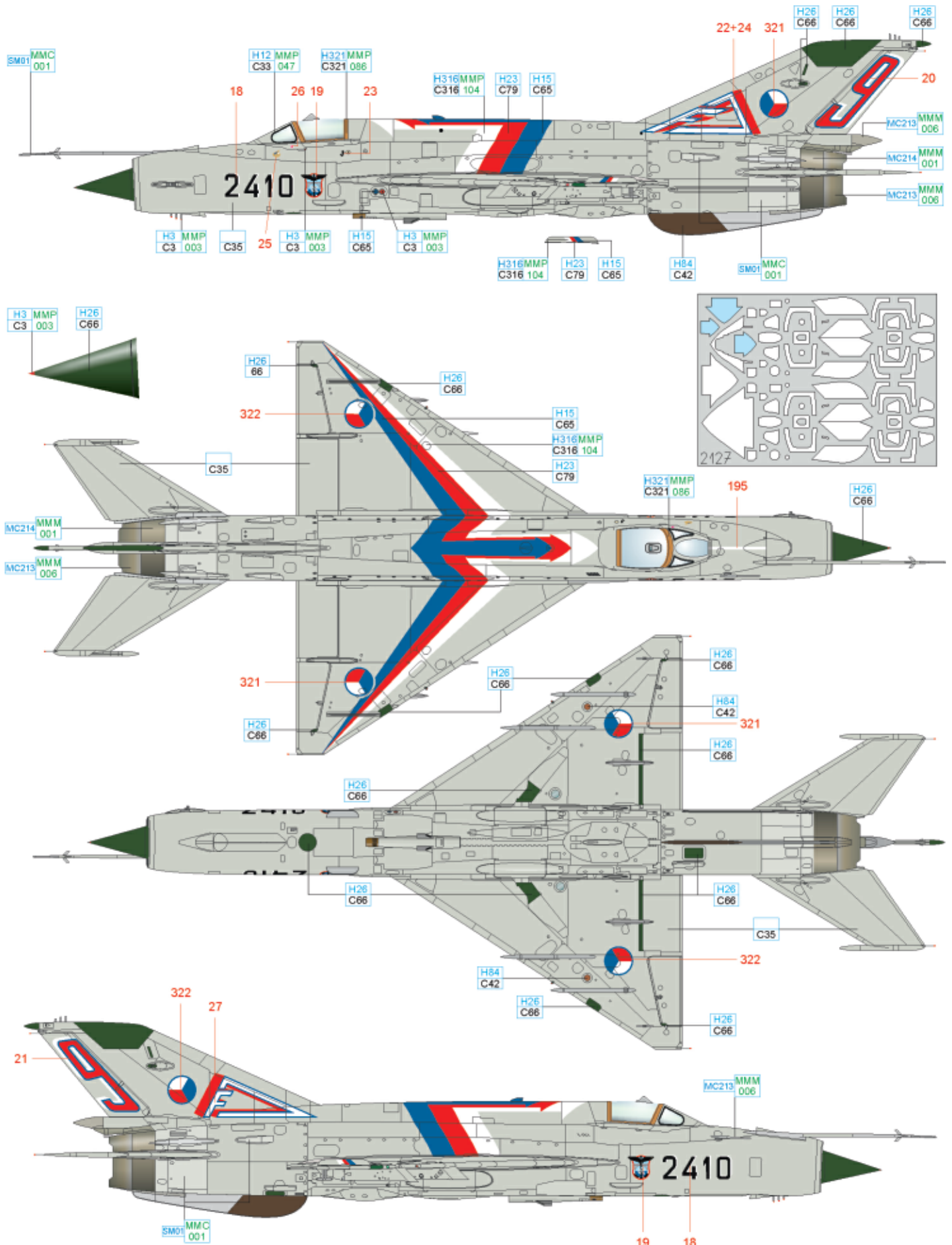


STEEL	MC213	MMM 006	LIGHT BROWN	H321 MMP C321 086	BRIGHT GREEN	H26 C66	BRIGHT BLUE	H15 C65	BLACK	H12 MMP C33 047
DARK IRON	MC214	MMM 001	SUPER CHROME	SM01	MAHOGANY	H84 C42	RED	H3 MMP C3 003	GRAY	10% C33 + 90% C35

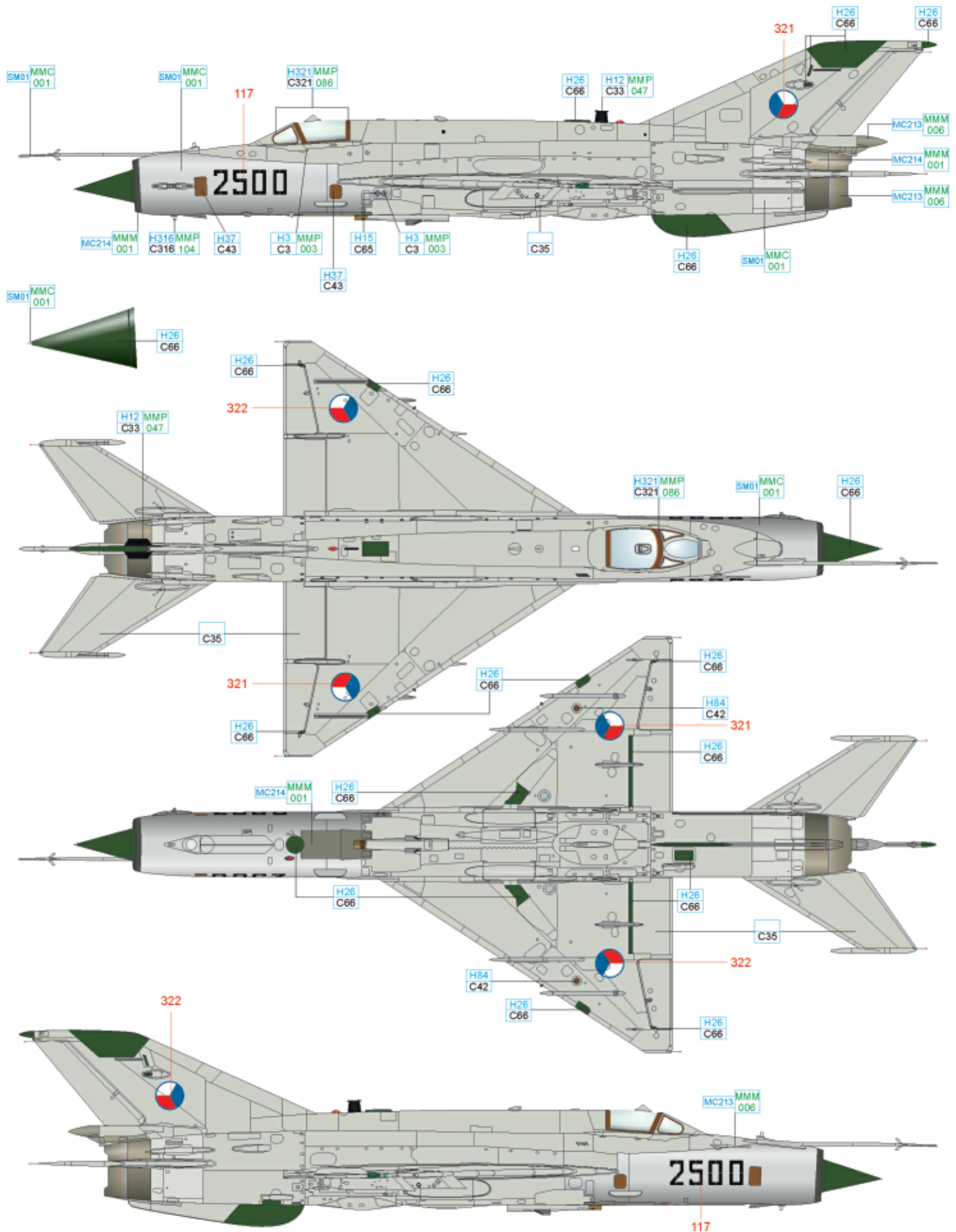




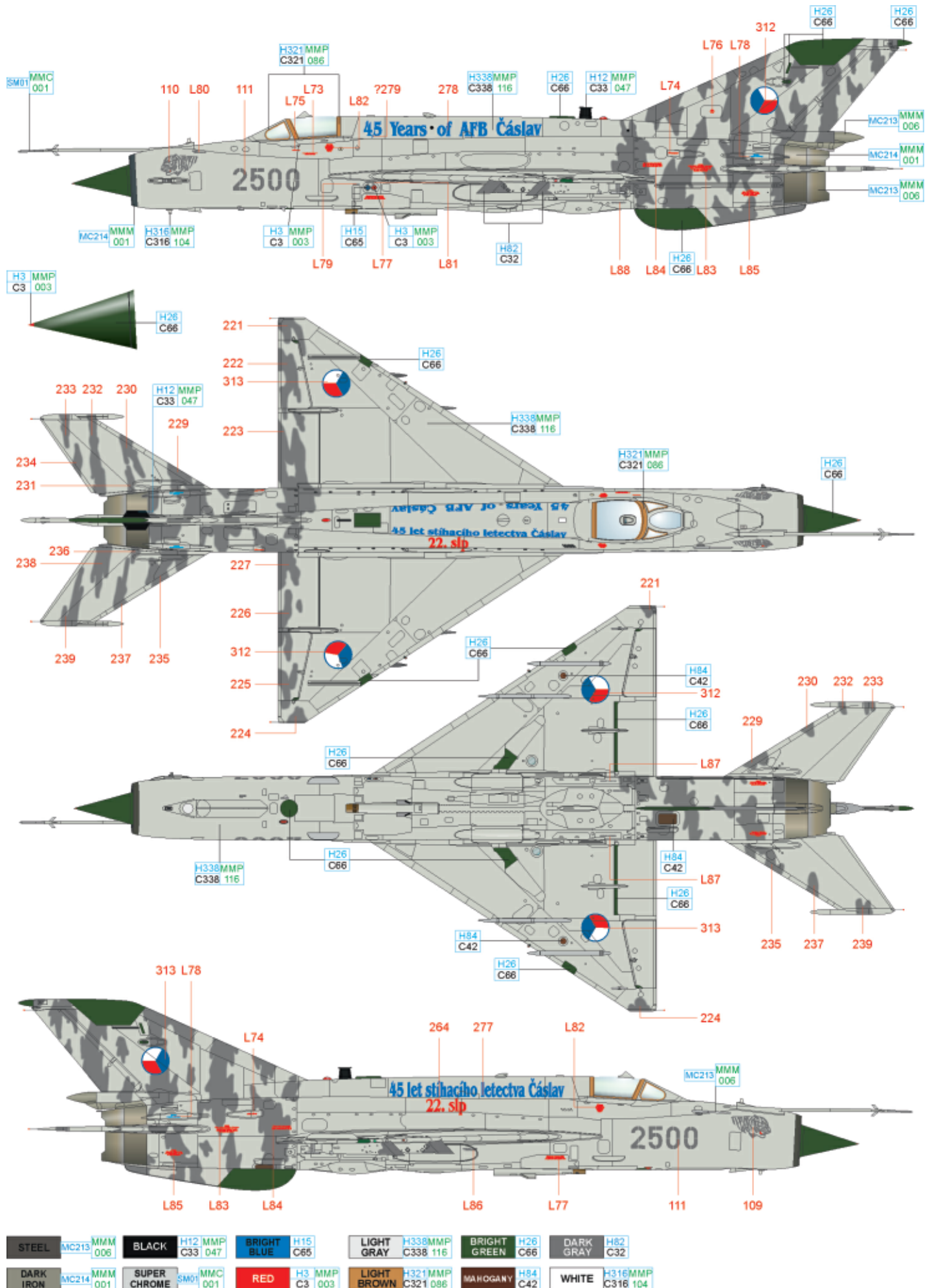


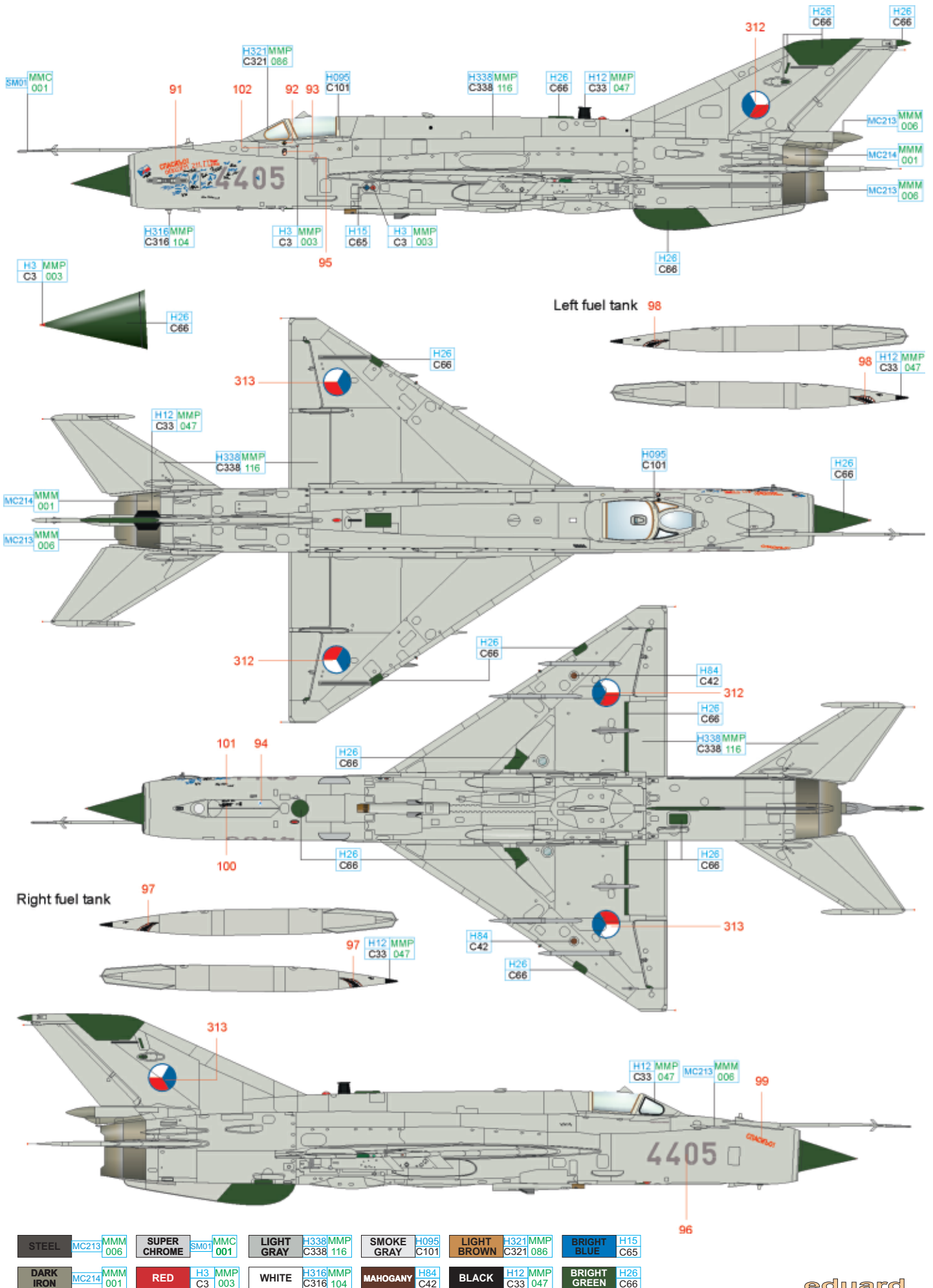


STEEL	MC213	MMM 006	WHITE	H316 MMP C316 104	BRIGHT GREEN	H26 C66	BRIGHT BLUE	H15 C65	BLACK	H12 MMP C33 047	RED SHINE	H23 C79
DARK IRON	MC214	MMM 001	SUPER CHROME	SM01 MMC 001	MAHOGANY	H84 C42	RED	H3 MMP C3 003	LIGHT BROWN	H321 MMP C321 086	LIGHT GRAY	C35

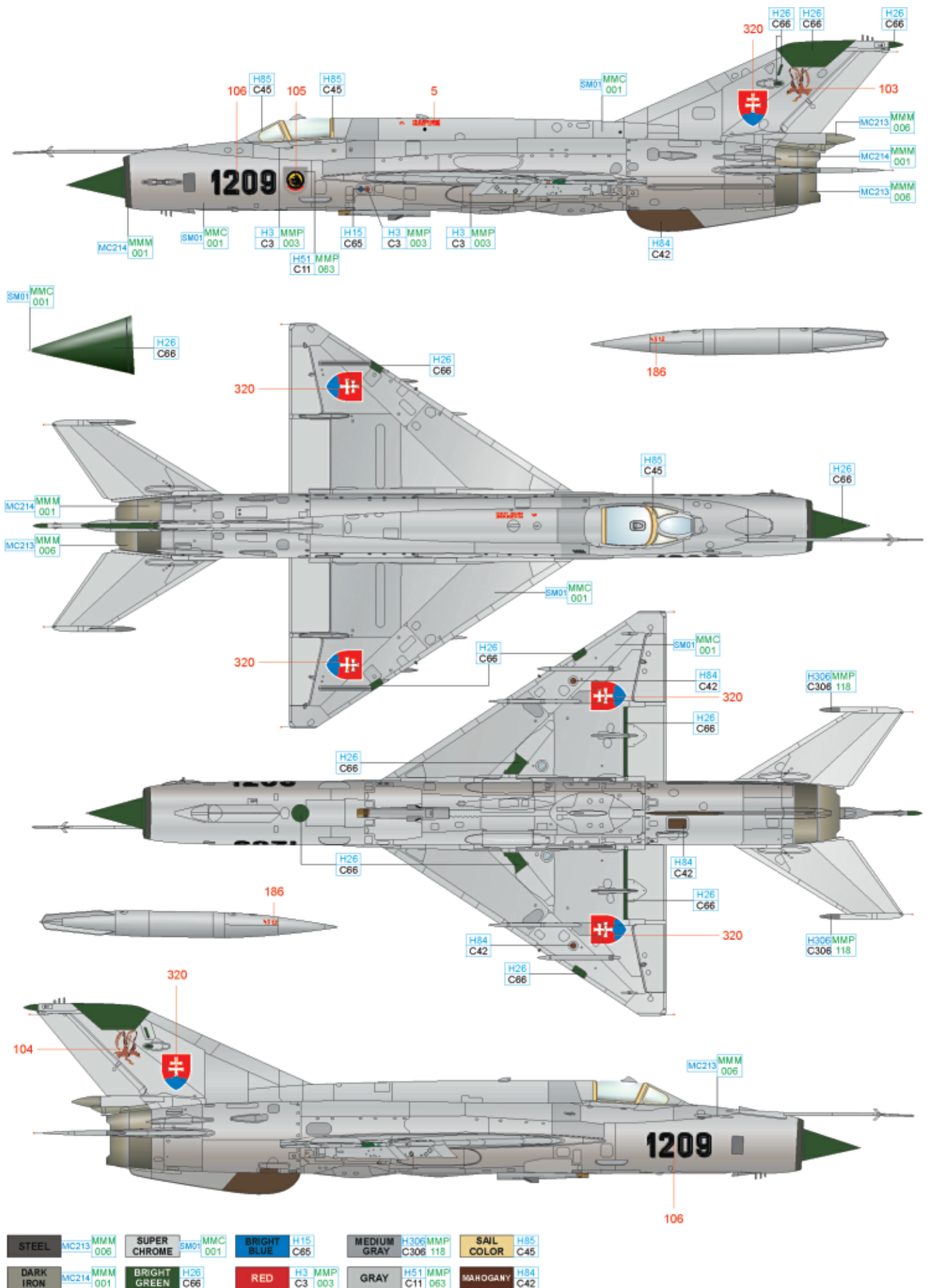


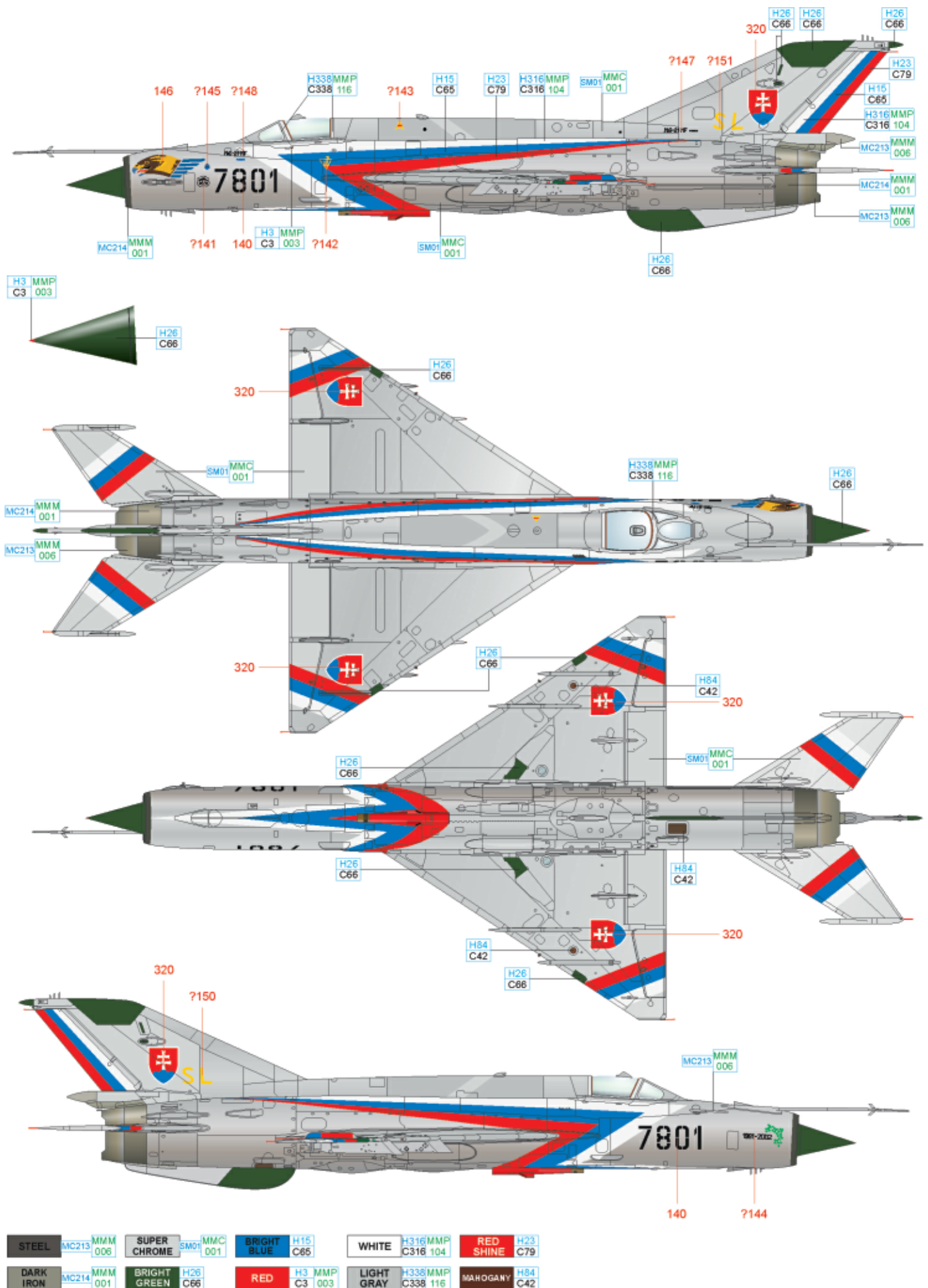
STEEL	MC213	MMM 006	LIGHT BROWN	H321 MMP C321 086	BRIGHT BLUE	H15 C65	BLACK	H12 MMP C33 047	MAHOGANY	H84 C42	BRIGHT GREEN	H26 C66
DARK IRON	MC214	MMM 001	SUPER CHROME	SM01 MMC 001	RED	H3 MMP C3 003	WHITE	H316 MMP C316 104	WOOD BROWN	H37 C43	GRAY	C35

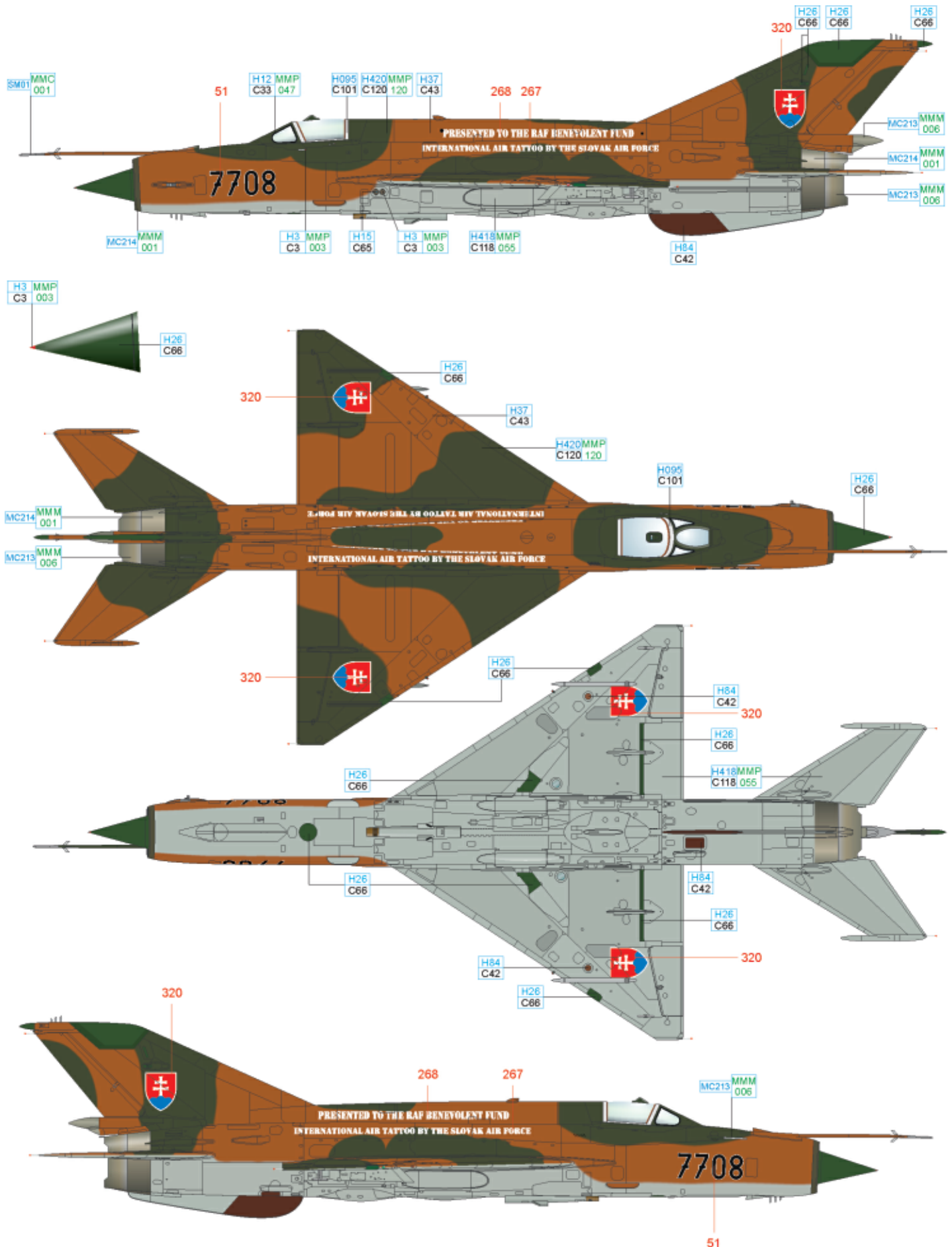




STEEL	MC213	MMM 006	SUPER CHROME	SM01	MMC 001	LIGHT GRAY	H338MMP C338 116	SMOKE GRAY	H095 C101	LIGHT BROWN	H321MMP C321 086	BRIGHT BLUE	H15 C65
DARK IRON	MC214	MMM 001	RED	H3	MMP C3 003	WHITE	H316MMP C316 104	MAHOGANY	H84 C42	BLACK	H12 MMP C33 047	BRIGHT GREEN	H26 C66

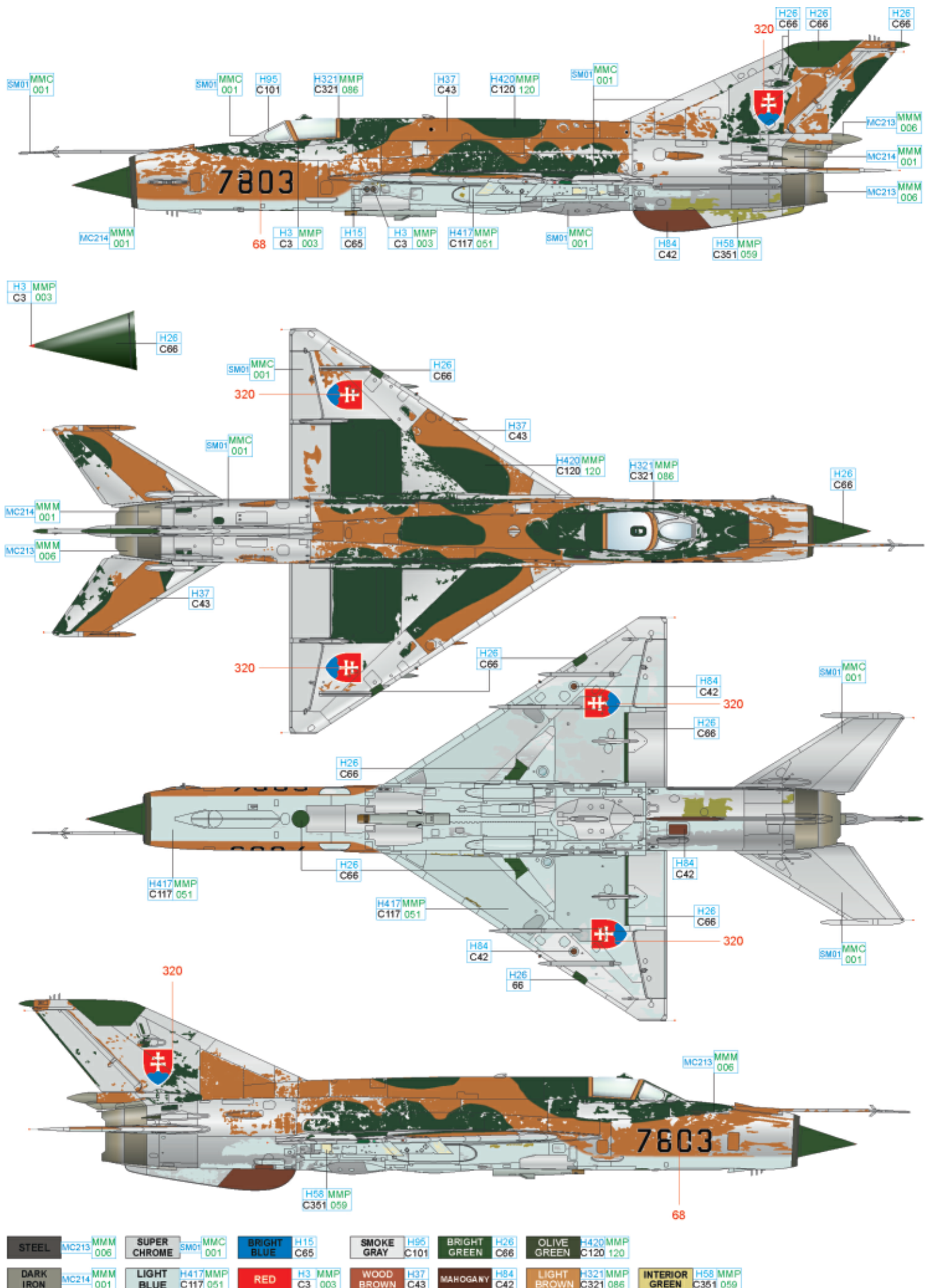


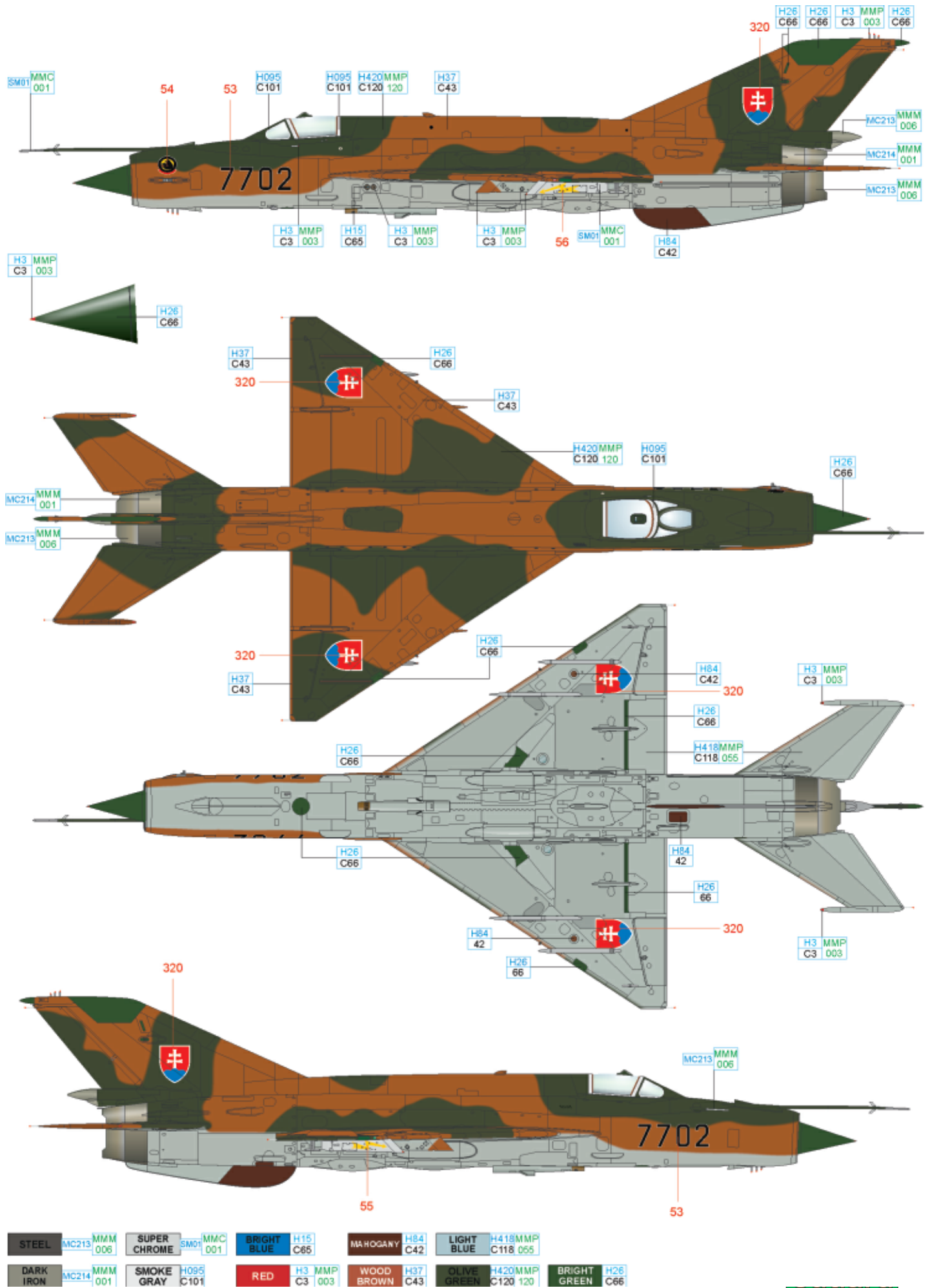


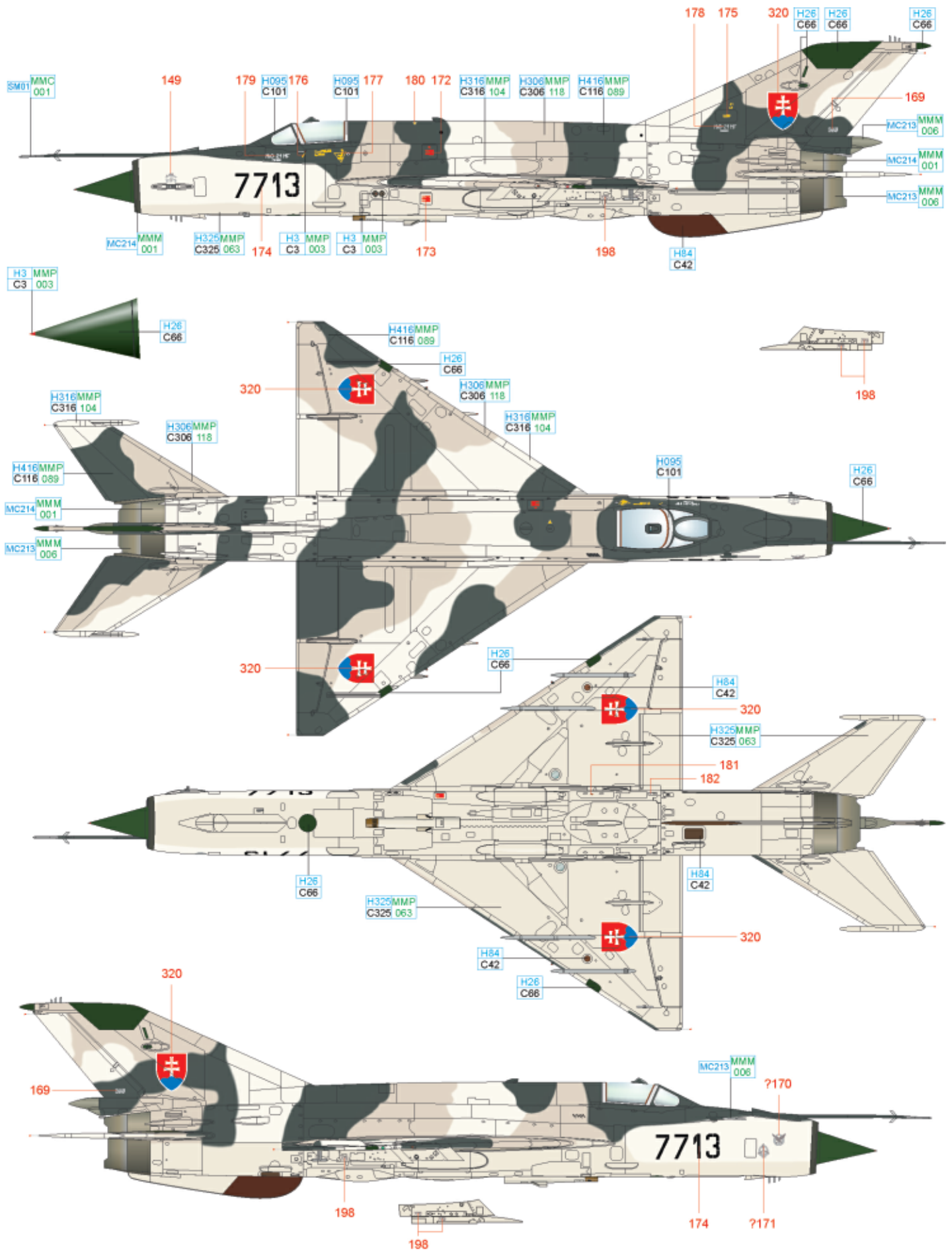


STEEL	MC213 MMM 006	SUPER CHROME	SMC 001	BRIGHT BLUE	H15 C85	LIGHT BLUE	H418MMP C118 055	SMOKE GRAY	H095 C101	MAHOGANY	H84 C42
DARK IRON	MC214 MMM 001	BLACK	H12 MMP C33 047	RED	H3 MMP C3 003	OLIVE GREEN	H420MMP C120 120	BRIGHT GREEN	H26 C66	WOOD BROWN	H37 C43









STEEL	MC213 MMM 006	MAHOGANY	H84 C42	BLACK GRAY	H416MMP C116 089	SMOKE GRAY	H095 C101	WHITE	H316MMP C316 104
DARK IRON	MC214 MMM 001	BRIGHT GREEN	H26 C66	RED	H3 MMP C3 003	MEDIUM GRAY	H306MMP C306 118	GRAY	H325MMP C325 063
								SUPER CHROME	SM01 MMC 001



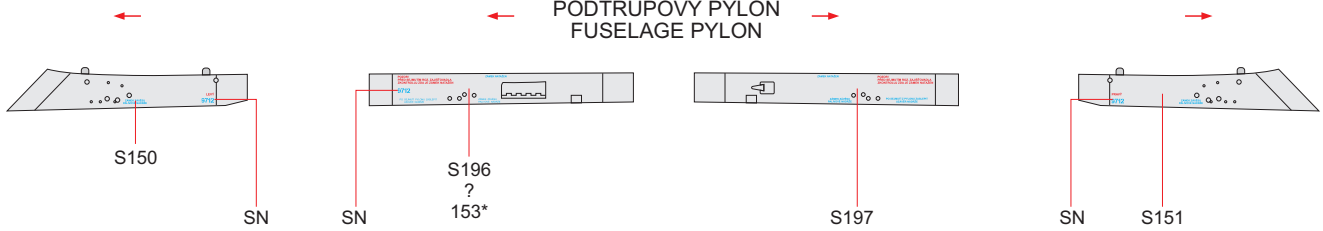
LEVÝ  
VNĚJŠÍ PODKŘÍDLOVÝ  
PALIVOVÝ PYLON  
LEFT OUTSIDE  
UNDERWING TANK PYLON

**SN - SERIOVÁ ČÍSLA**  
MALÉ NA DRAK LETOUNU  
STŘEDNÍ NA ZÁVĚSNÍKY  
VELKÉ NA RAKETNICE

**SN - SERIAL NUMBER**  
SMALL FOR AIRFRAME  
MEDIUM FOR PYLONS  
LARGE FOR ROCKET LAUNCHERS

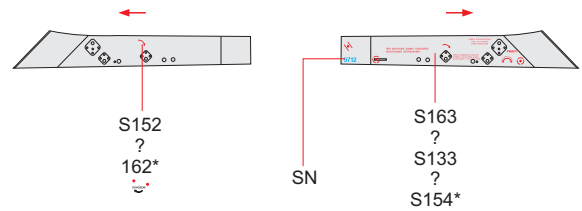
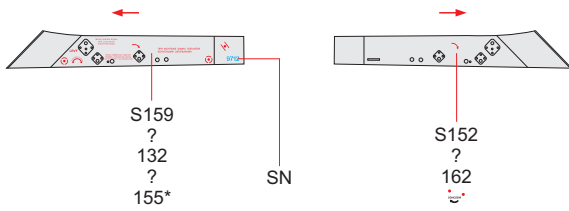
PRÁVÝ  
VNĚJŠÍ PODKŘÍDLOVÝ  
PALIVOVÝ PYLON  
RIGHT OUTSIDE  
UNDERWING TANK PYLON

PODTRUPOVÝ PYLON  
FUSELAGE PYLON



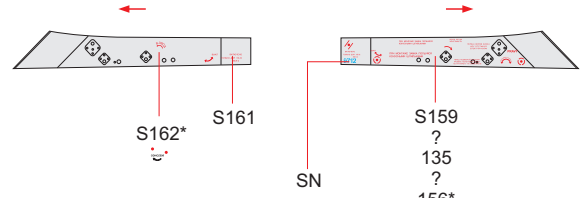
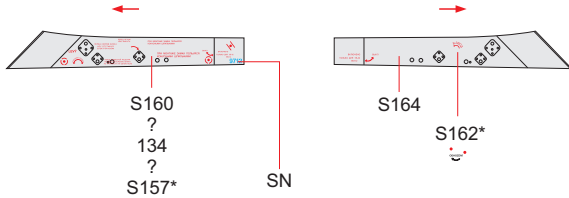
LEVÝ VNĚJŠÍ PYLON  
LEFT OUTSIDE PYLON

PRÁVÝ VNĚJŠÍ PYLON  
RIGHT OUTSIDE PYLON

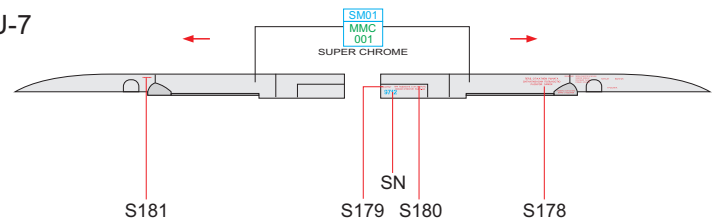
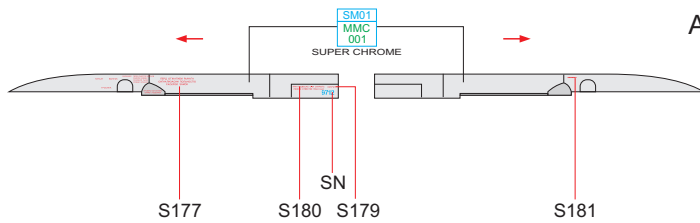


LEVÝ VNITŘNÍ PYLON  
LEFT INSIDE PYLON

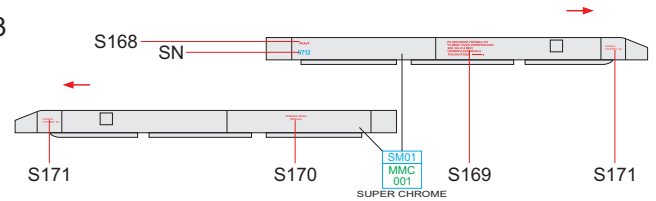
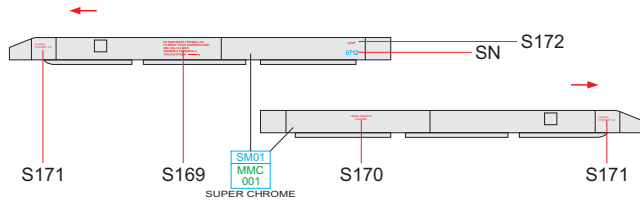
PRÁVÝ VNITŘNÍ PYLON  
RIGHT INSIDE PYLON



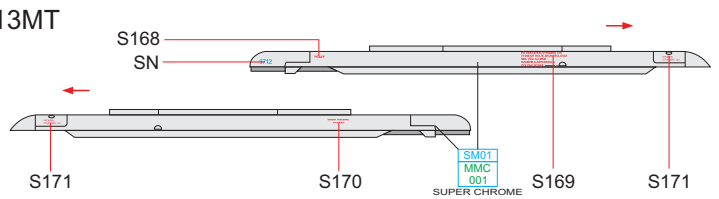
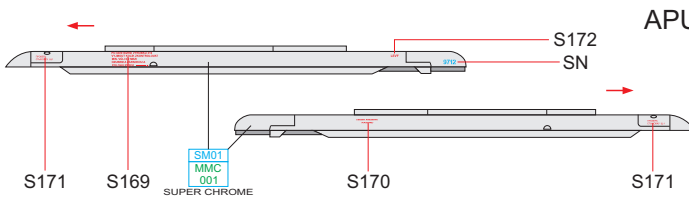
APU-7



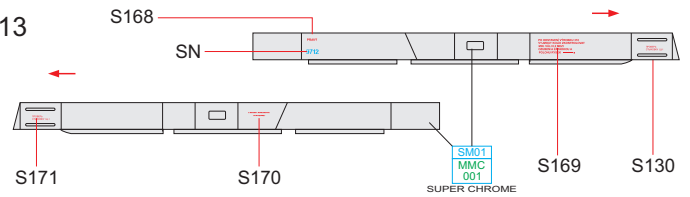
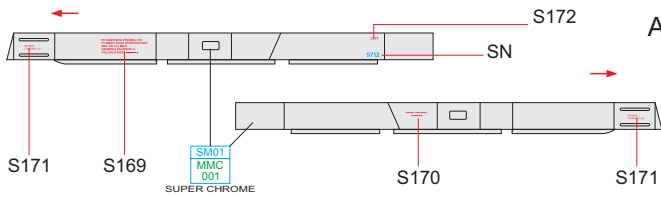
APU-13



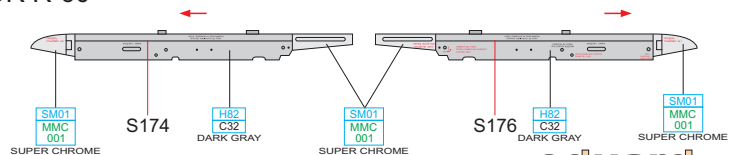
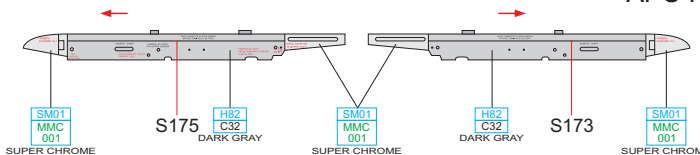
APU-13MT



APU-13

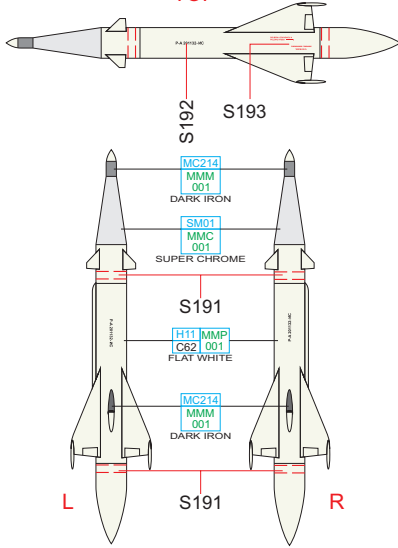


APU FOR R-60



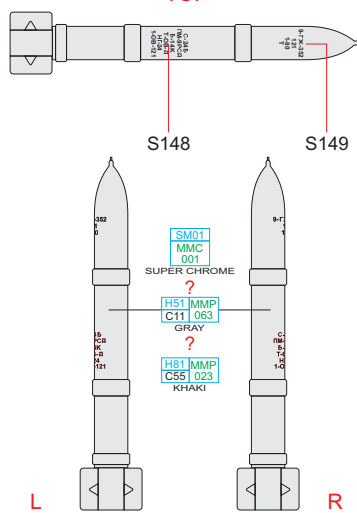
RS-2US

TOP



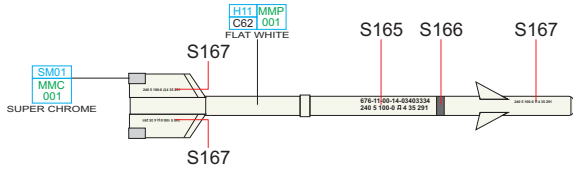
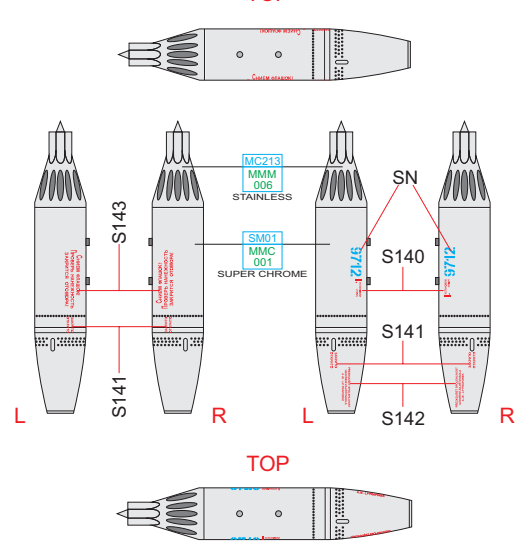
S-24

TOP

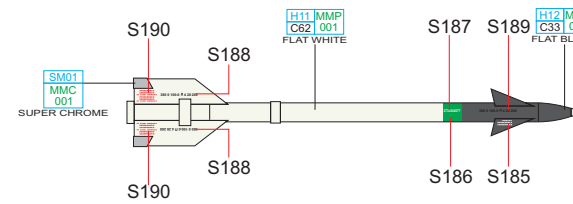
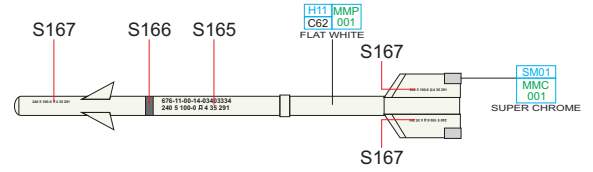


UB-16

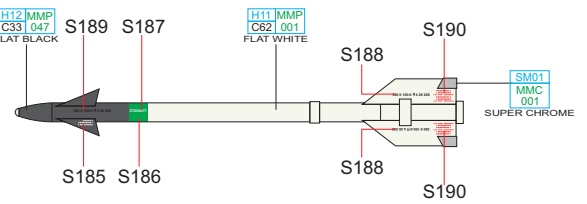
TOP



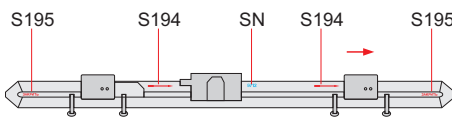
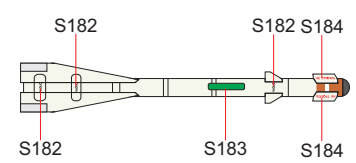
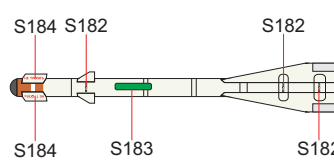
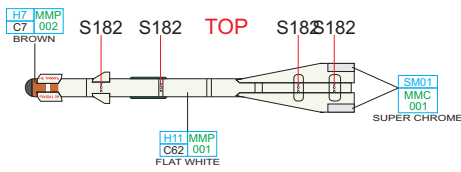
R-3S



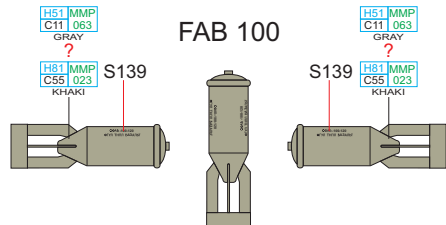
R-13



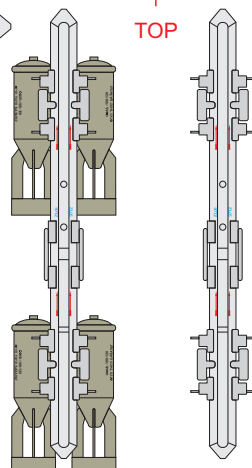
R-60



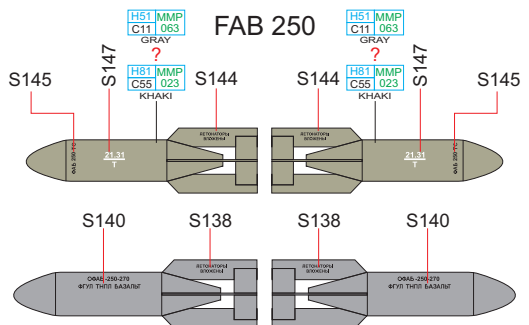
FAB 100



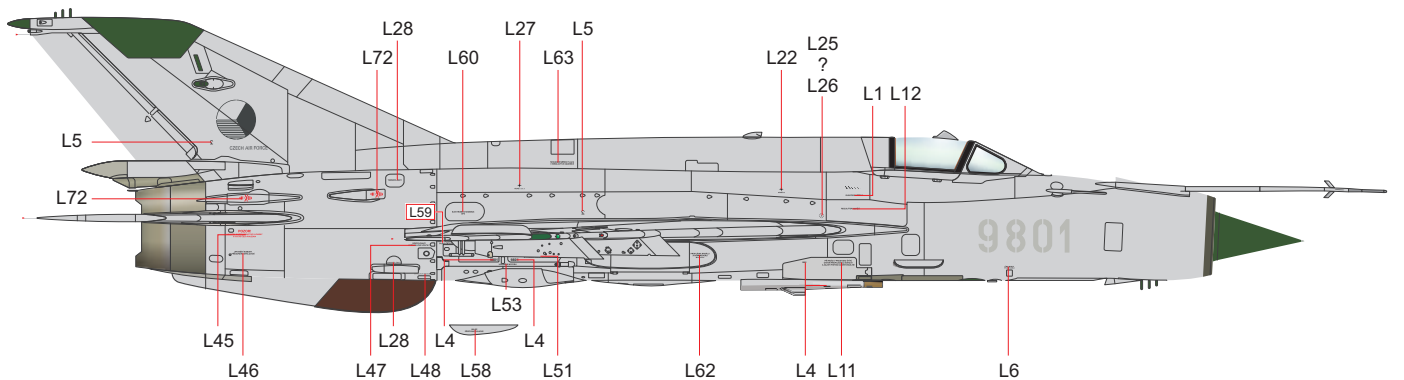
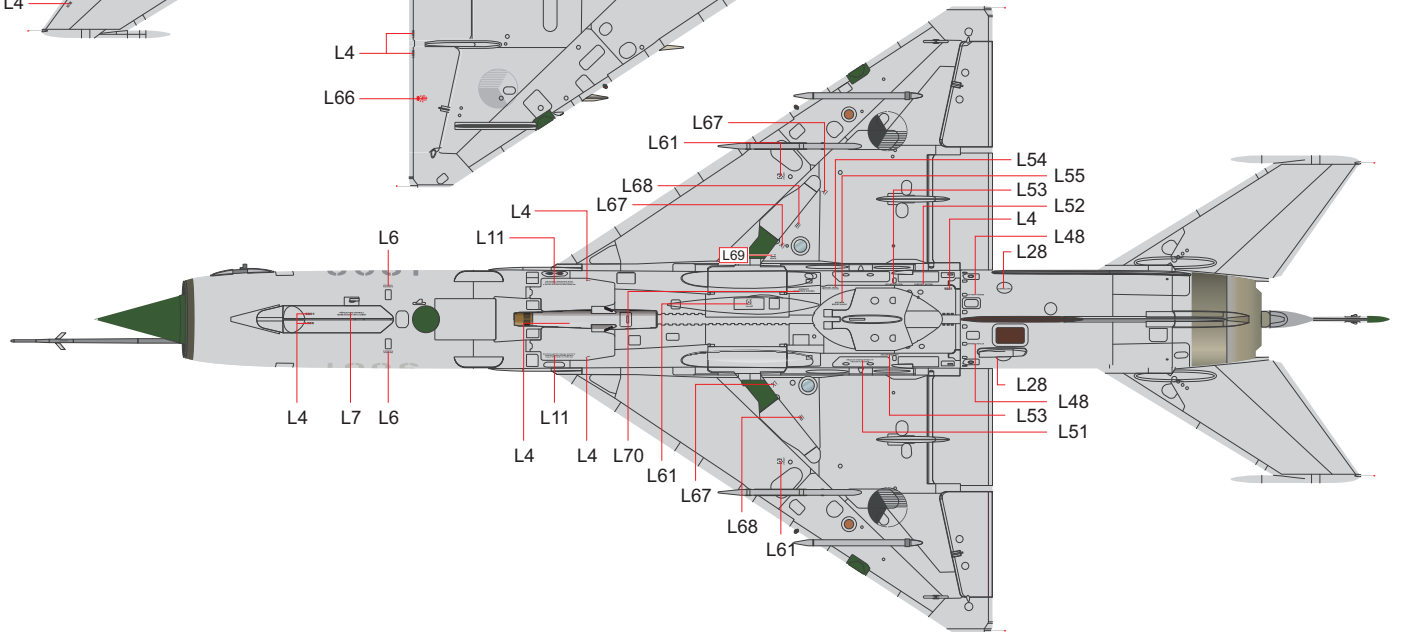
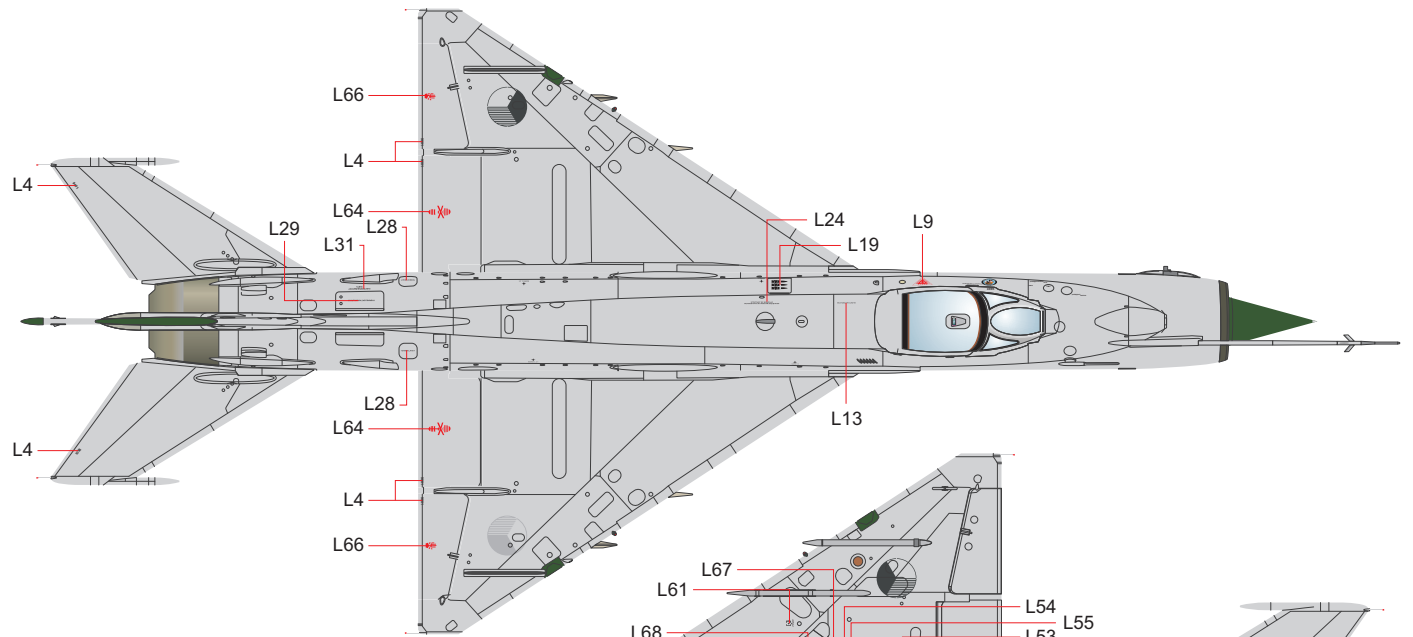
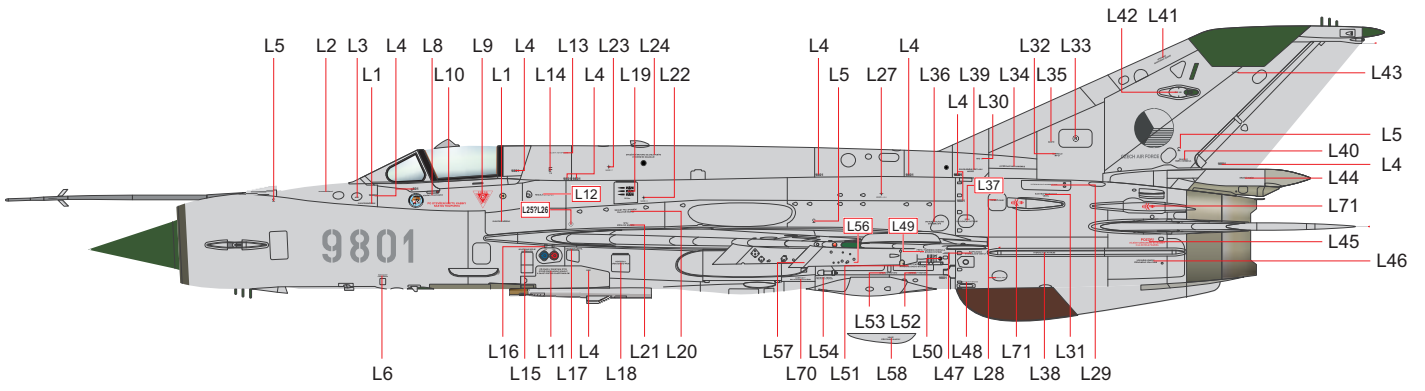
TOP

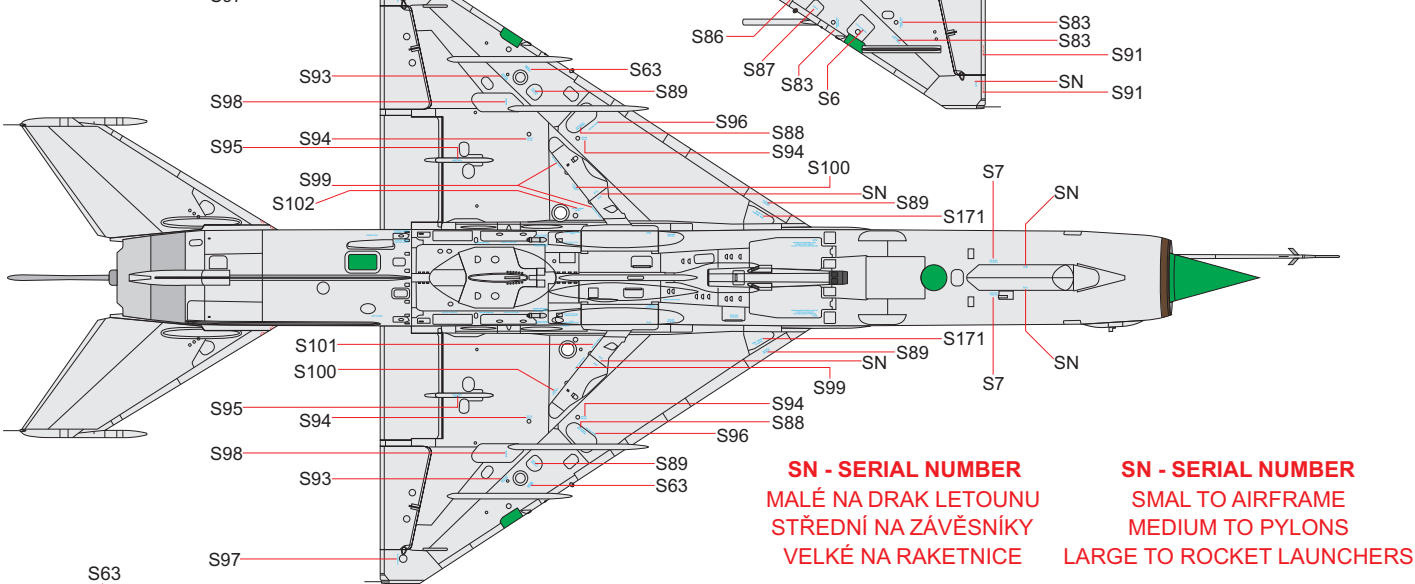
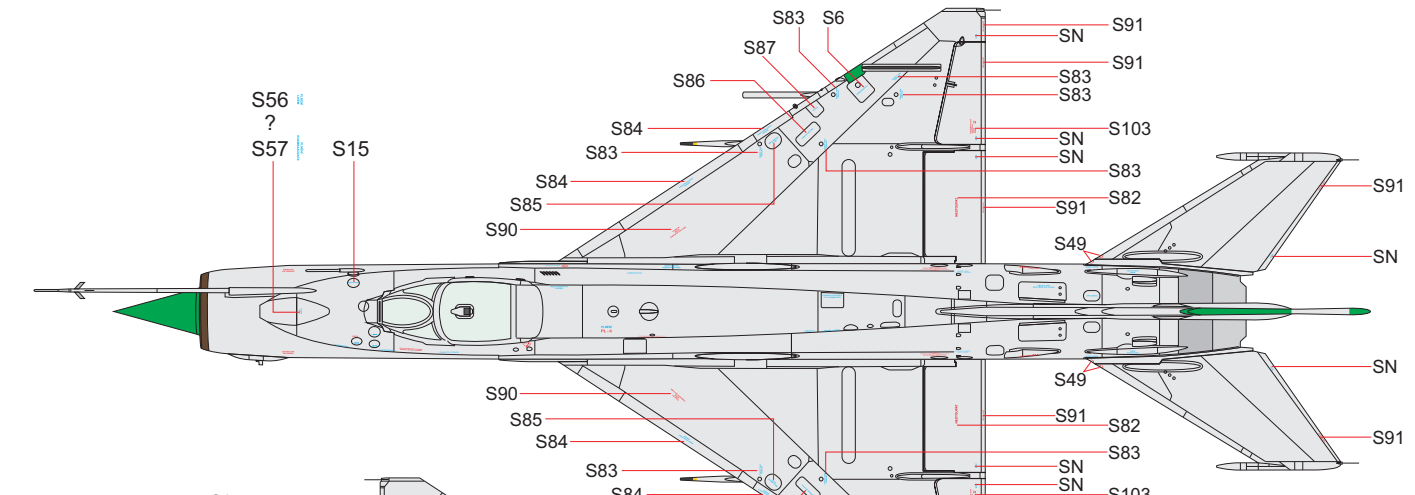
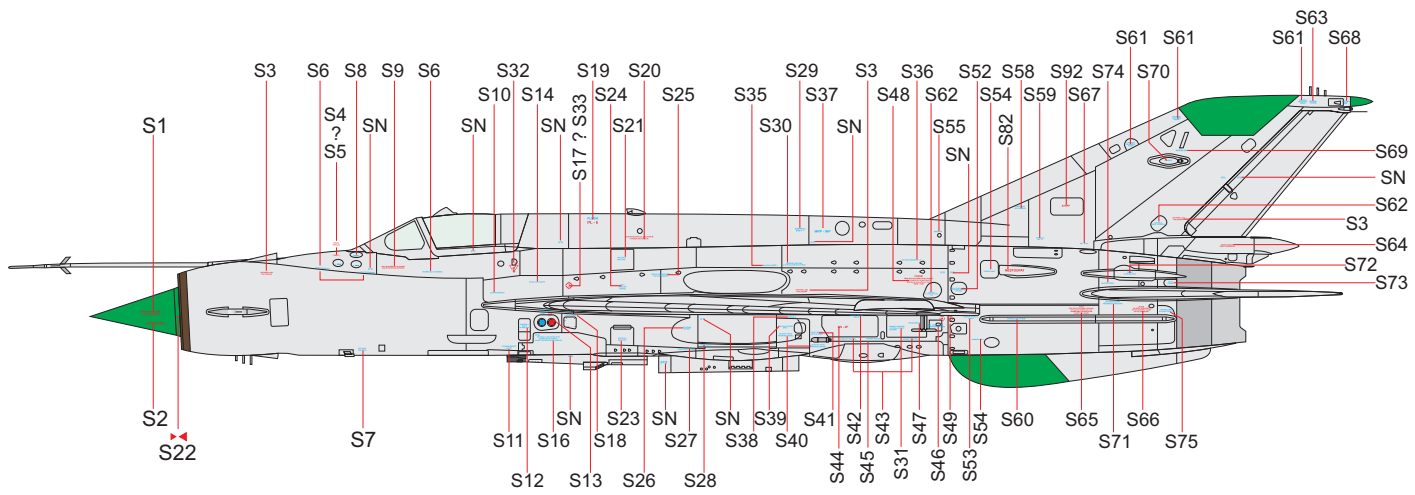


FAB 250



MARKING 25 ONLY





**SN - SERIAL NUMBER**  
**MALÉ NA DRÁK LETOUNU**  
**STŘEDNÍ NA ZÁVĚSNÍKY**  
**VELKÉ NA RAKETNICE**

**SN - SERIAL NUMBER**  
**SMAL TO AIRFRAME**  
**MEDIUM TO PYLONS**  
**LARGE TO ROCKET LAUNCHERS**

