

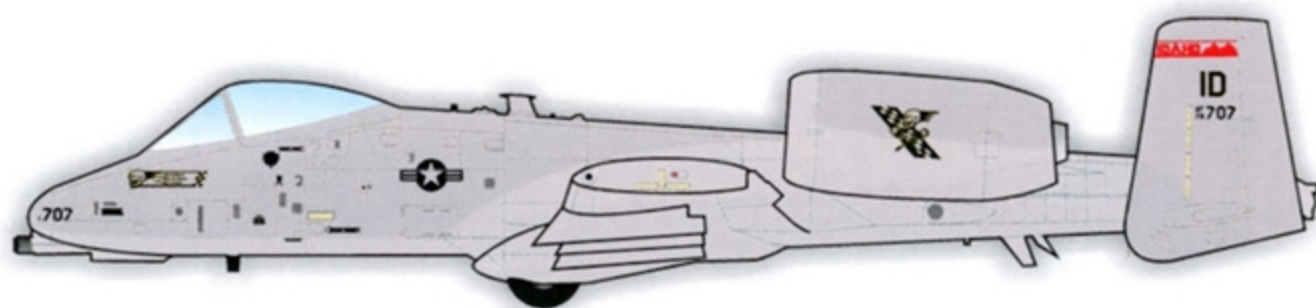
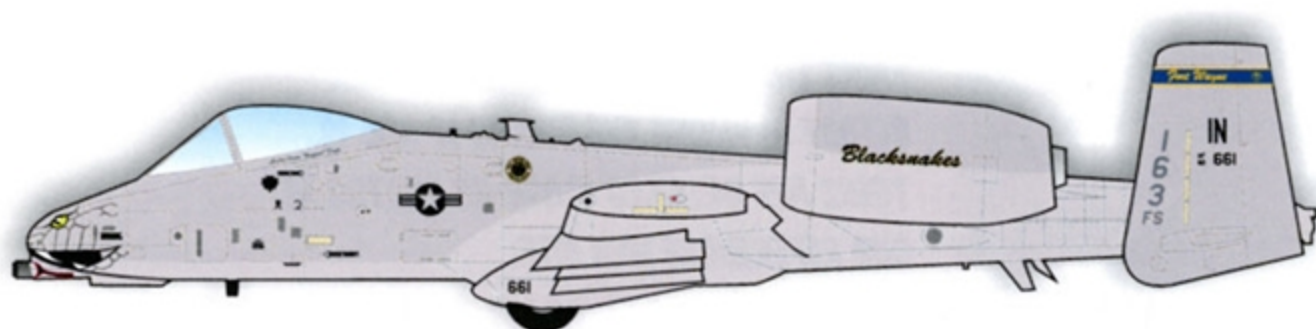
Caracal Models

CD48028

Air National Guard

**A-10C**

**Part 1: Idaho & Indiana ANG**



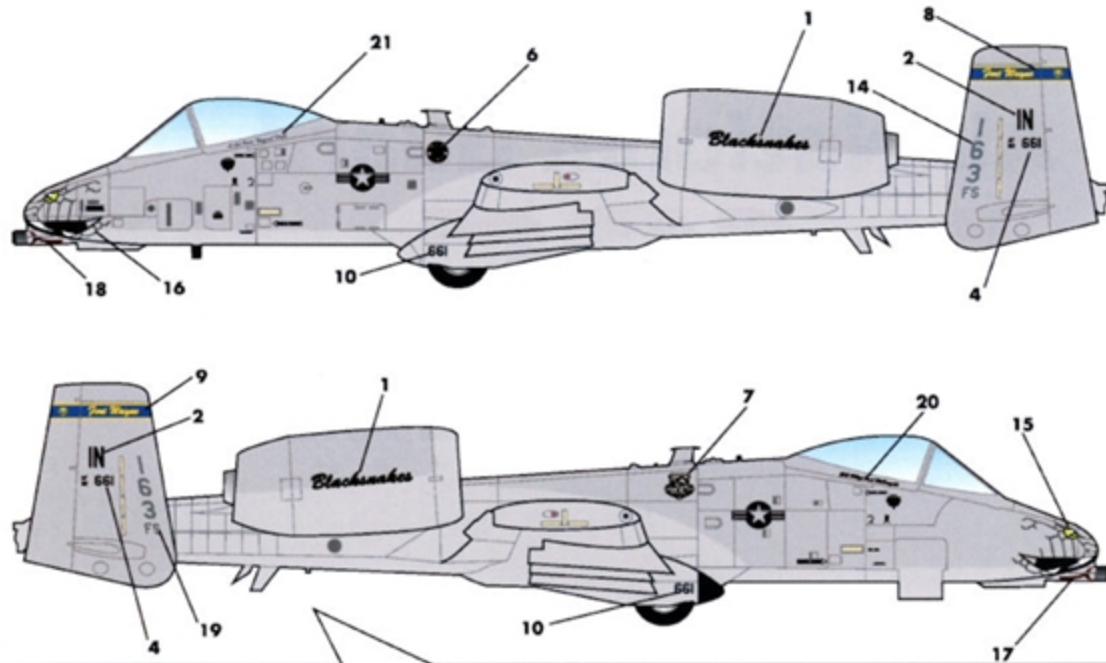
**1/48 SCALE**

DECALS PRINTED BY

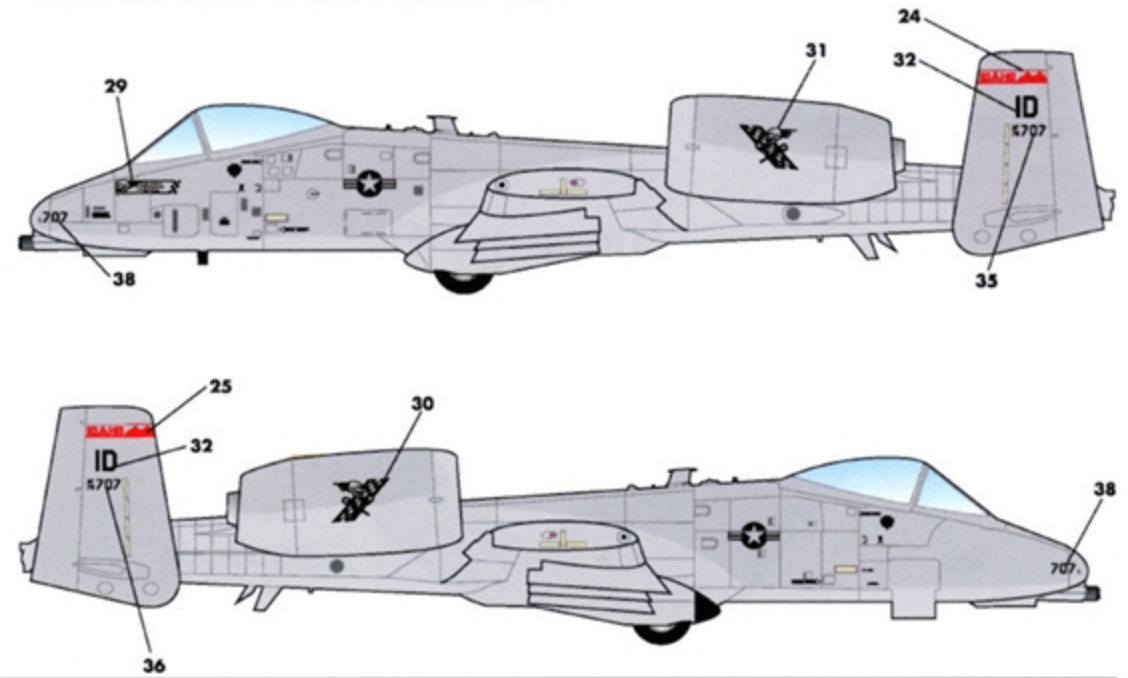


COPYRIGHT 2013 CARACAL MODELS - ALL RIGHTS RESERVED

**OPTION 1: A-10C 82-0661, 122FW, INDIANA ANG 2012**



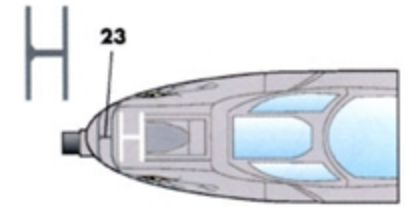
**OPTION 3: A-10C 78-0707, 124FW, IDAHO ANG, 2011**



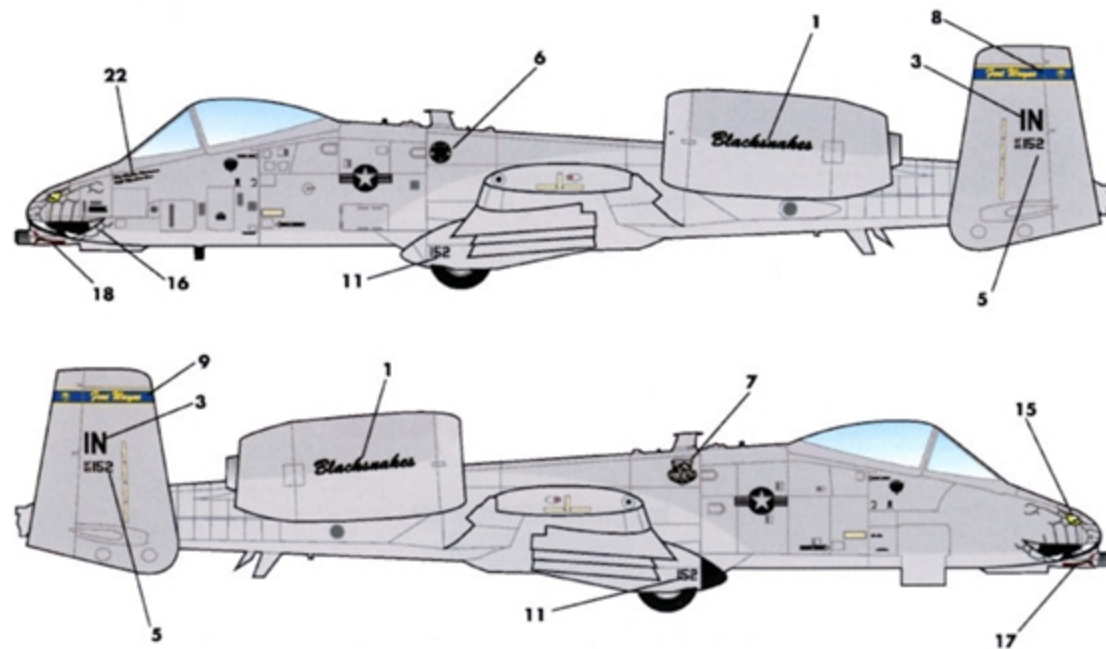
**PAINTE THE SNAKE'S MOUTH AREA BLACK BEFORE APPLYING THE DECALS 17 AND 18. THERE ARE DETAILED CLOSE-UP PHOTOS AT OUR REFERENCES WEB SITE:**

**[HTTP://WWW.CARACALMODELS.COM/REFERENCES/CD48028](http://www.caracalmodels.com/references/cd48028)**

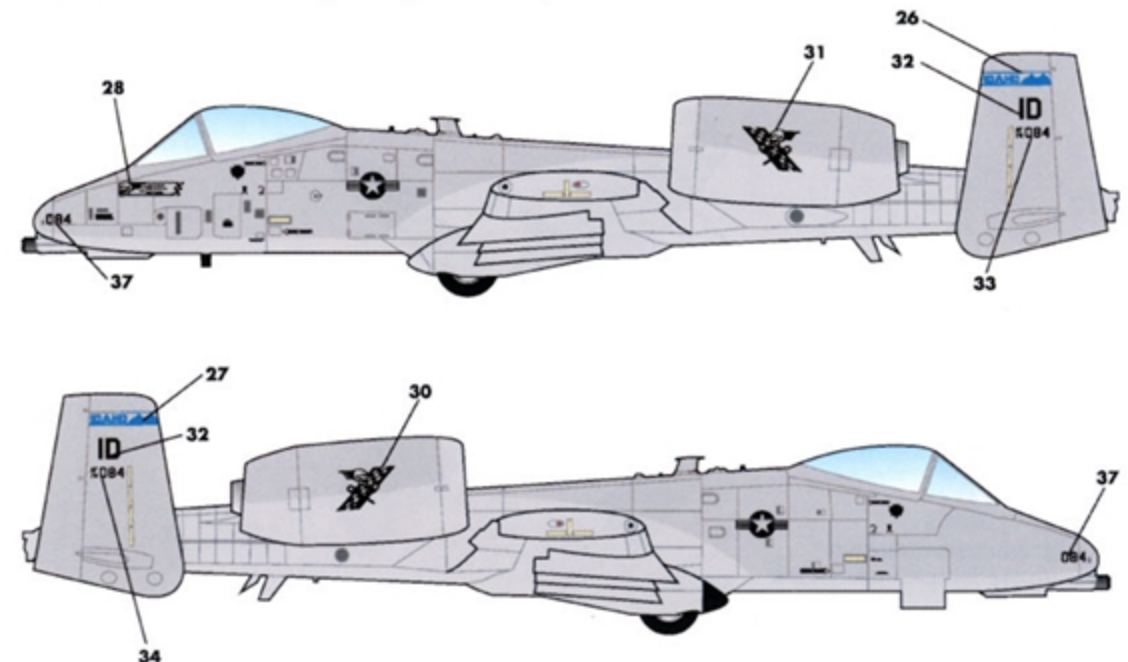
**USE DECAL 23 TO CONNECT THE TWO SIDES OF THE SNAKE'S HEAD AS SHOWN.**



**OPTION 2: A-10C 78-0152, 122FW, INDIANA ANG 2010**



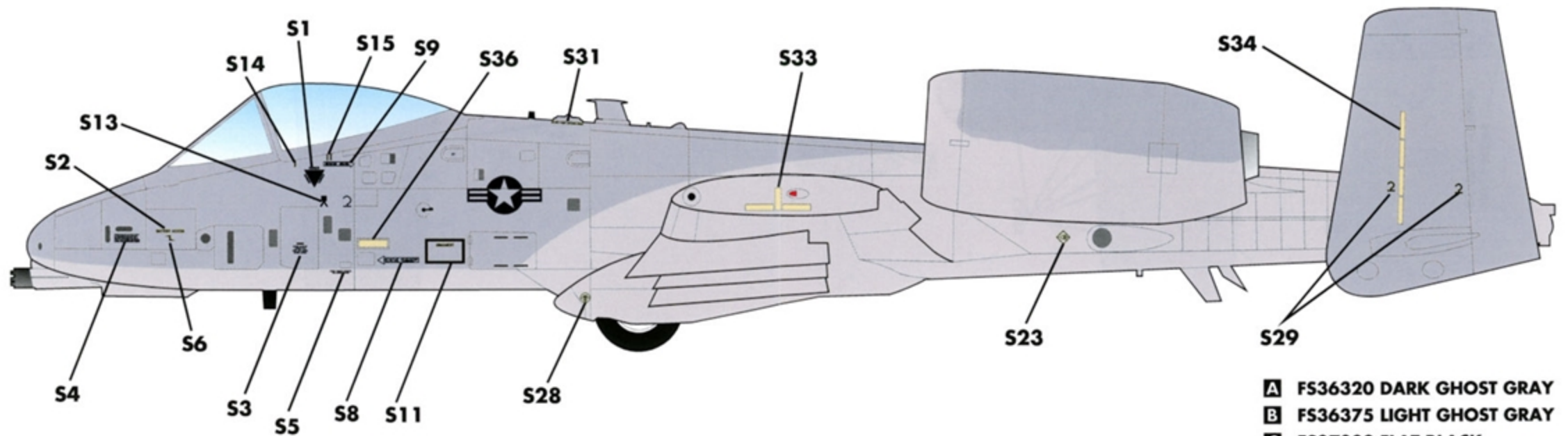
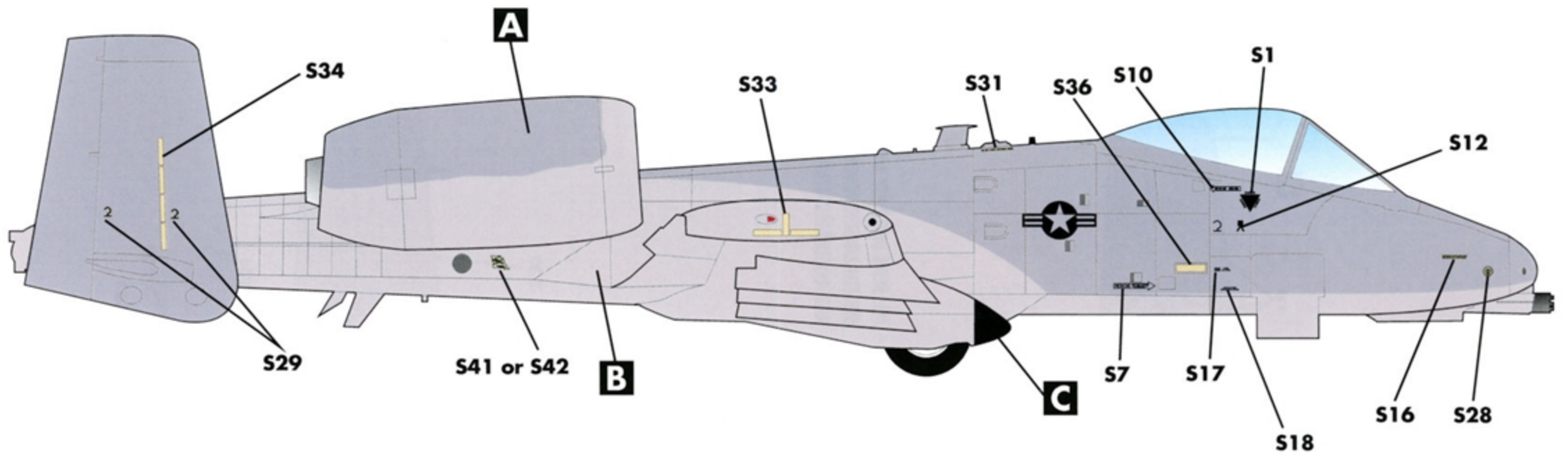
**OPTION 4: A-10C 79-0084, 124FW, IDAHO ANG, 2011**



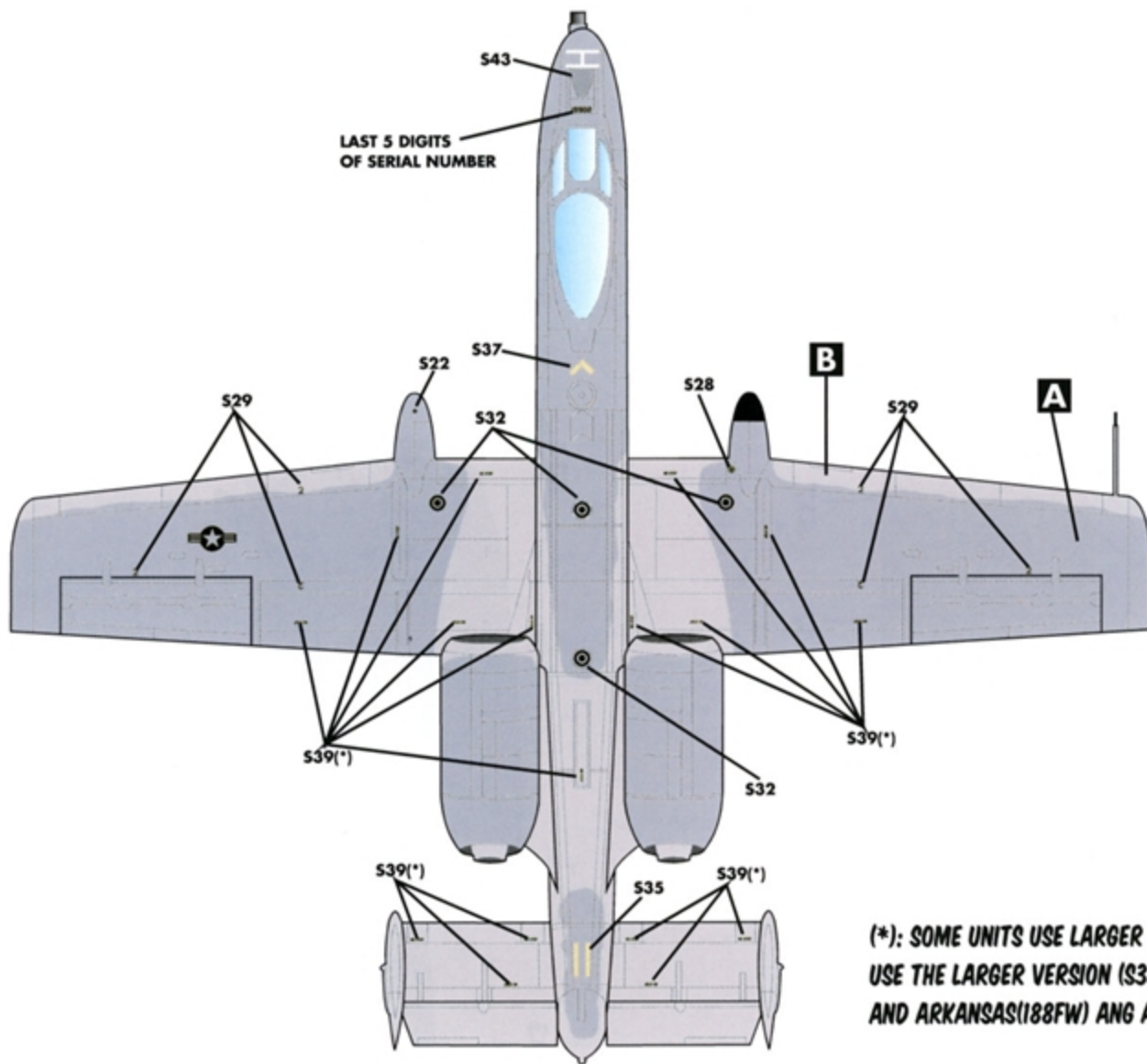


# CARACAL MODELS

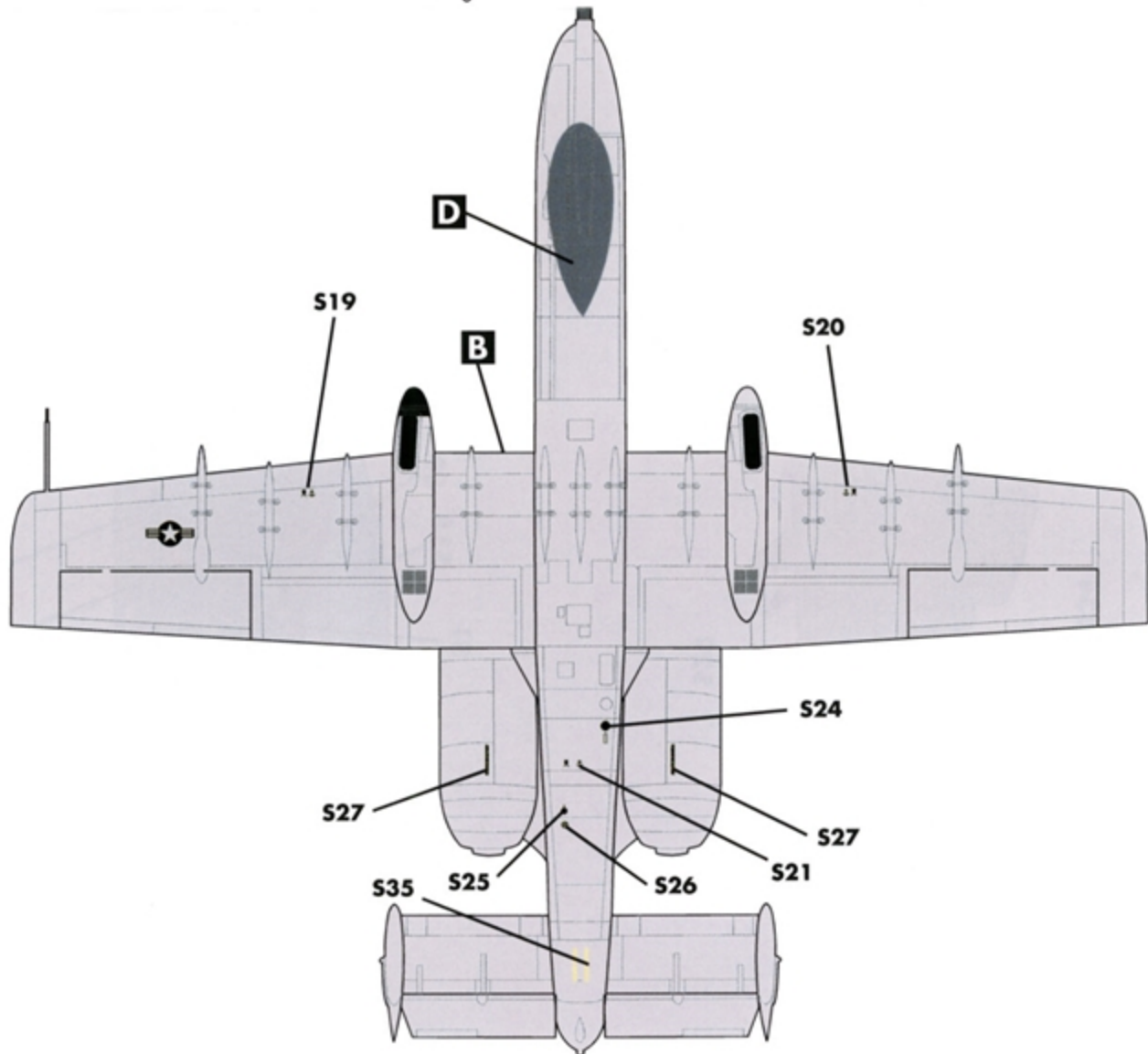
## A-10C PAINT SCHEME & STENCIL PLACEMENT



- A** FS36320 DARK GHOST GRAY
- B** FS36375 LIGHT GHOST GRAY
- C** FS37038 FLAT BLACK
- D** FS36118 GUNSHIP GRAY

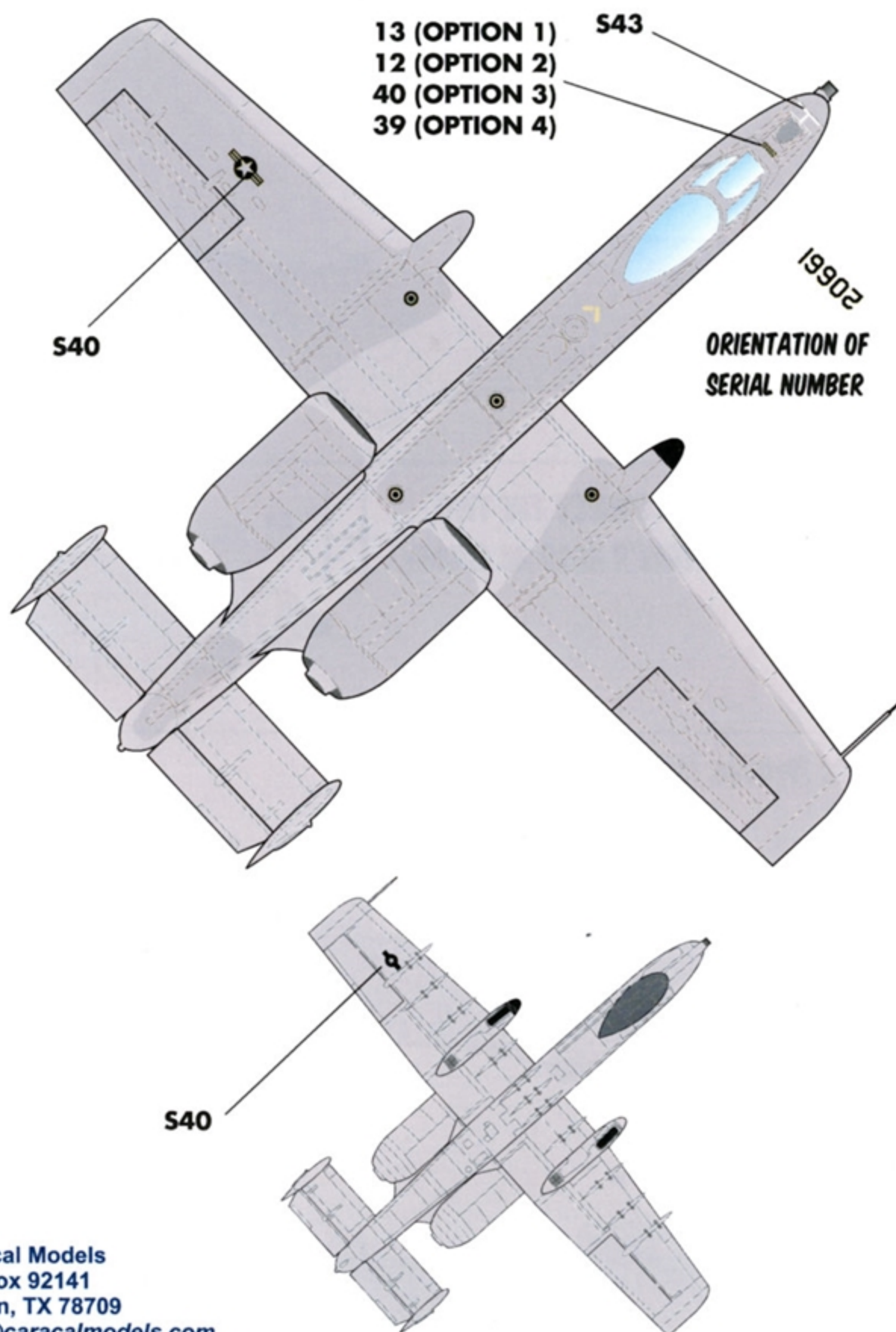


**(\*)**: SOME UNITS USE LARGER "NO STEP" MARKINGS. USE THE LARGER VERSION (S38) FOR INDIANA (122FW) AND ARKANSAS(188FW) ANG AIRCRAFT.





**PLEASE REFER TO THE INSERT  
FOR PAINTING & MAINTENANCE STENCIL  
PLACEMENT INFORMATION**



Caracal Models  
PO Box 92141  
Austin, TX 78709  
[info@caracalmodels.com](mailto:info@caracalmodels.com)  
<http://www.caracalmodels.com>

Decals printed by Cartograf in Italy