

TAP THE
EMPIRE STRIKES BACK
 WAR™

mpc
 78-1924-250

REBEL BASE SNAP ACTION SCENE

PAINTING GUIDE

| | |
|---|-------------|
| A | SILVER |
| B | FLESH |
| C | GLOSS BLACK |
| D | WHITE |
| E | DK. GREY |
| F | TAN |
| G | BROWN |
| H | YELLOW |
| I | GOLD |
| J | RED |

IMPORTANT! READ THIS FIRST

- Study assembly drawings carefully before starting.
- Each part is identified by a part number (14).
- Follow the step numbers ① in each assembly drawing.
- Your model may be painted to match the box photos.
- Allow paint to dry thoroughly before handling.

⑤ ————— STEP NUMBERS

32 ————— PLASTIC PART NUMBERS

②X ————— REPEAT SEVERAL TIMES

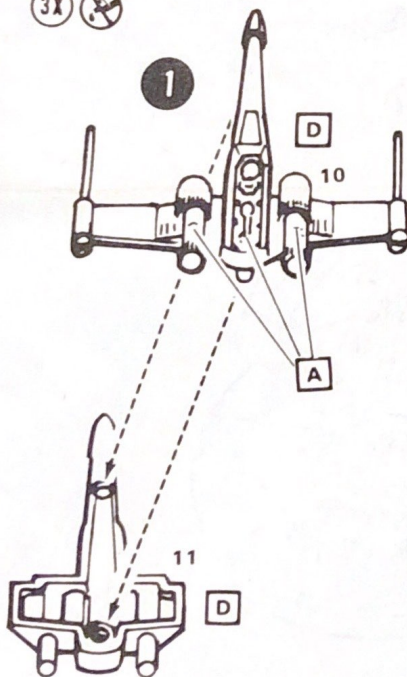
⊘ ————— DO NOT CEMENT

1982 Fundimensions, Division of CPG Products Corp.

© Lucasfilm Ltd. (LFL) 1982 TM: Trademark owned by Lucasfilm Ltd. (LFL) and used by Fundimensions Division of CPG Products Corp., under authorization.

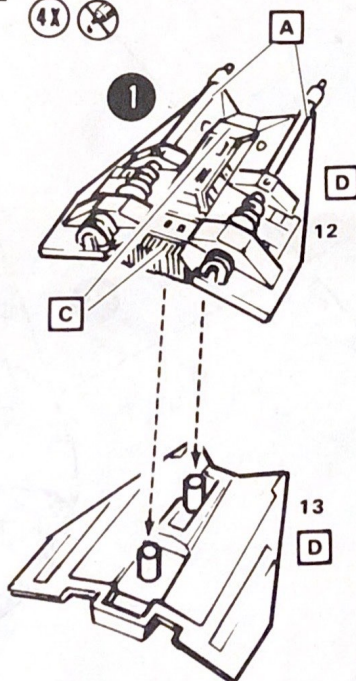
1 X-WING FIGHTER™

③X ⊘



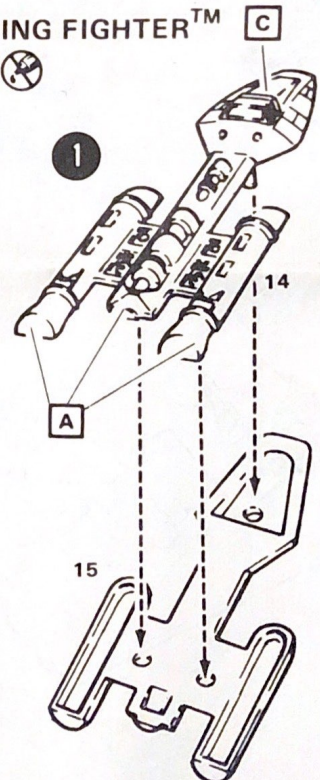
2 SNOWSPEEDER™

④X ⊘

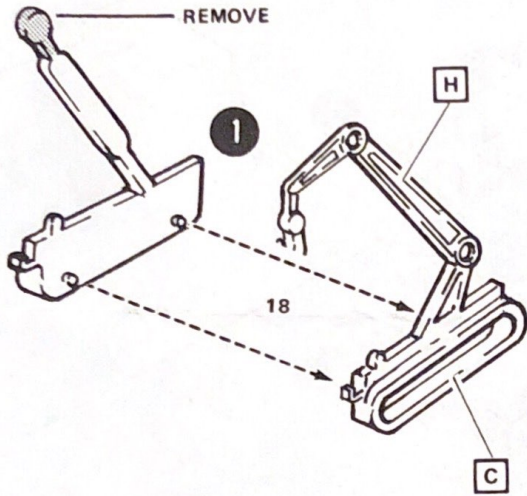


3 Y-WING FIGHTER™

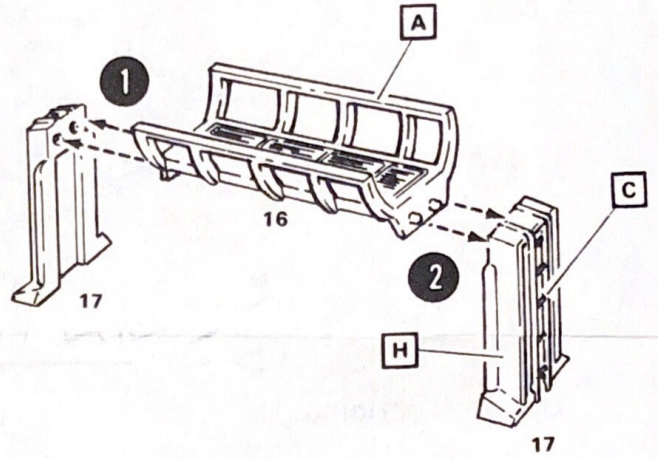
③X ⊘



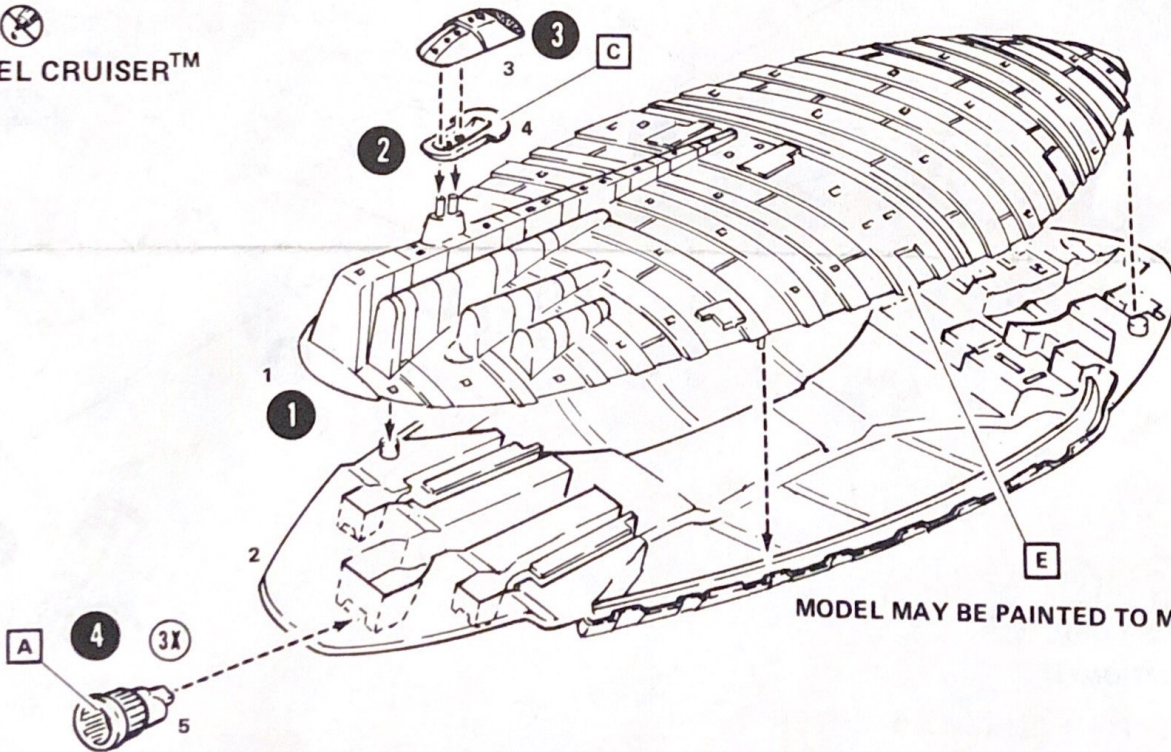
4 (2X) 
MOBILE CRANE



5 
REPAIR GANTRY



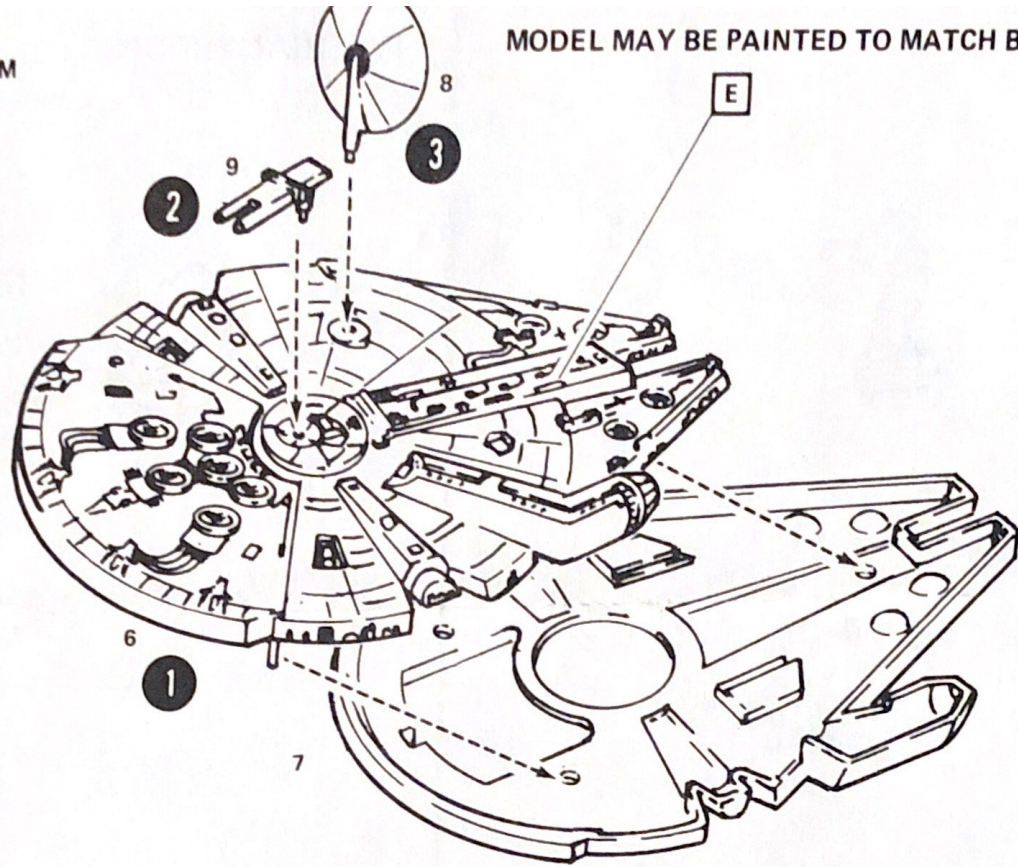
6 
REBEL CRUISER™



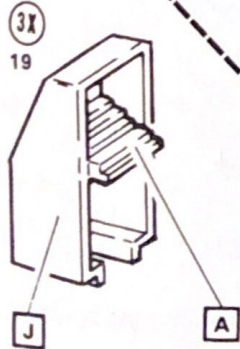
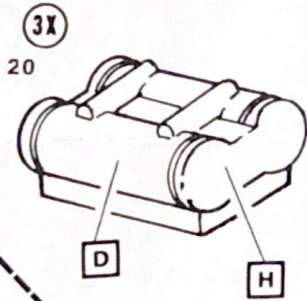
MODEL MAY BE PAINTED TO MATCH BOX PHOT

ILLENNIUM FALCON™

MODEL MAY BE PAINTED TO MATCH BOX PHOTO

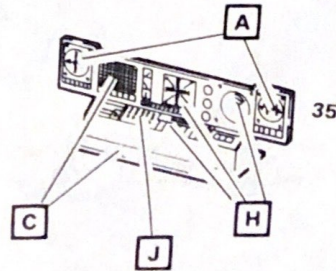
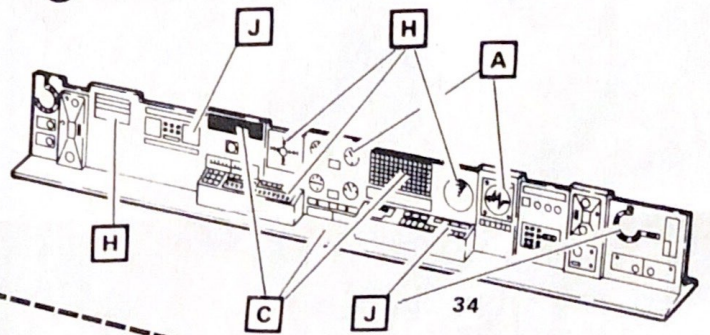


8 FUEL STORAGE TANK



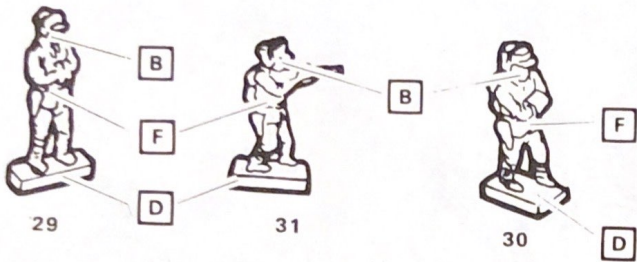
PORTABLE COMPUTER REPAIR ANALYZER

9 COMPUTER CONTROL CENTER

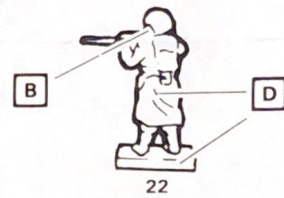
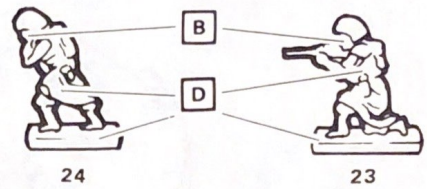


COMMUNICATION GUIDANCE PANEL

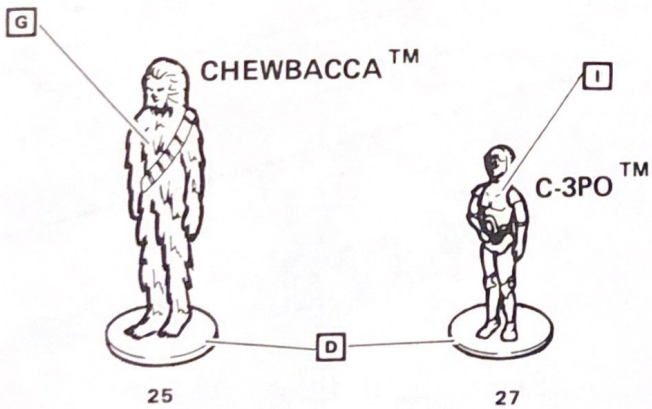
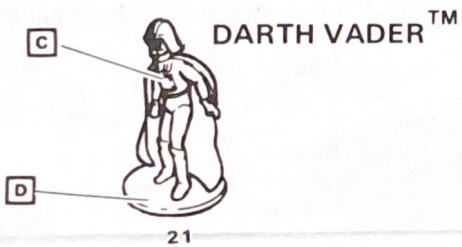
10 (5X)
REBEL TROOPS



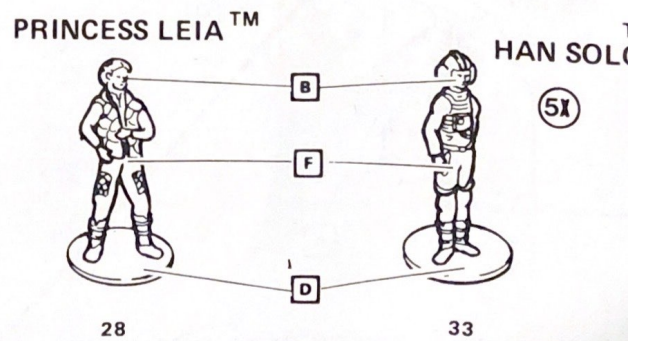
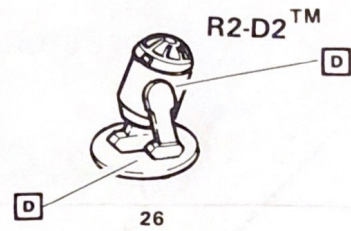
11 (5X)
IMPERIAL TROOPS



12



13



14 PLACEMENT SUGGESTIONS (CEMENT OPTIONAL) PLACEMENT OF VEHICLES AND EQUIPMENT OPTIONAL

