

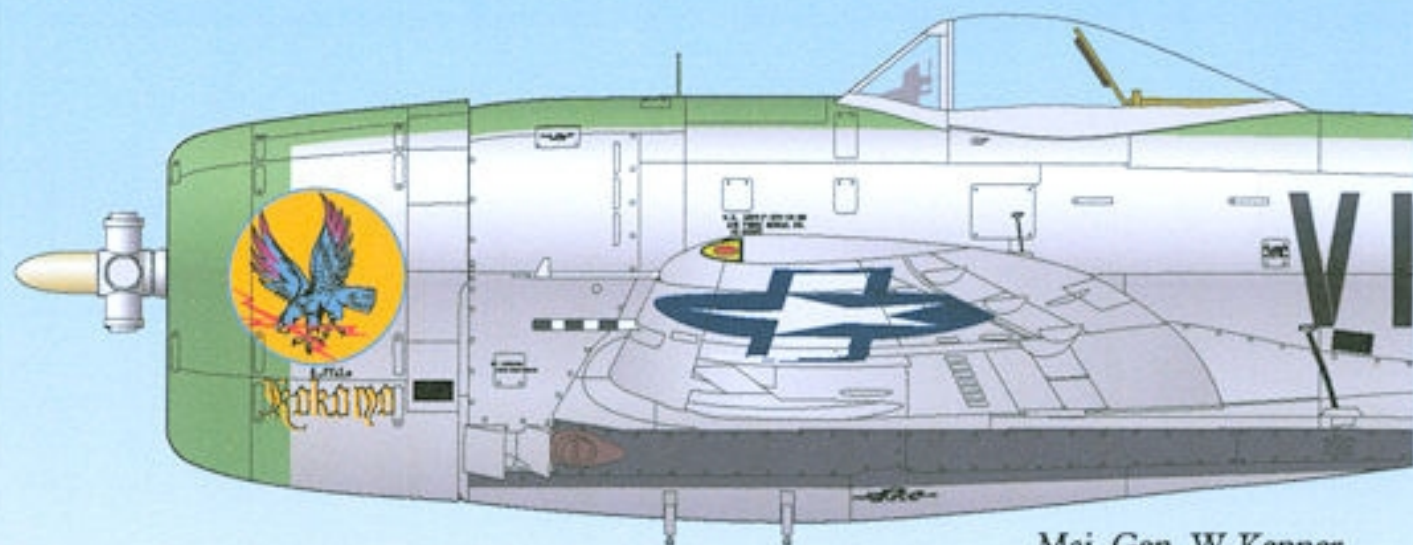
**Lifelike Decals**

*Limited Edition!*

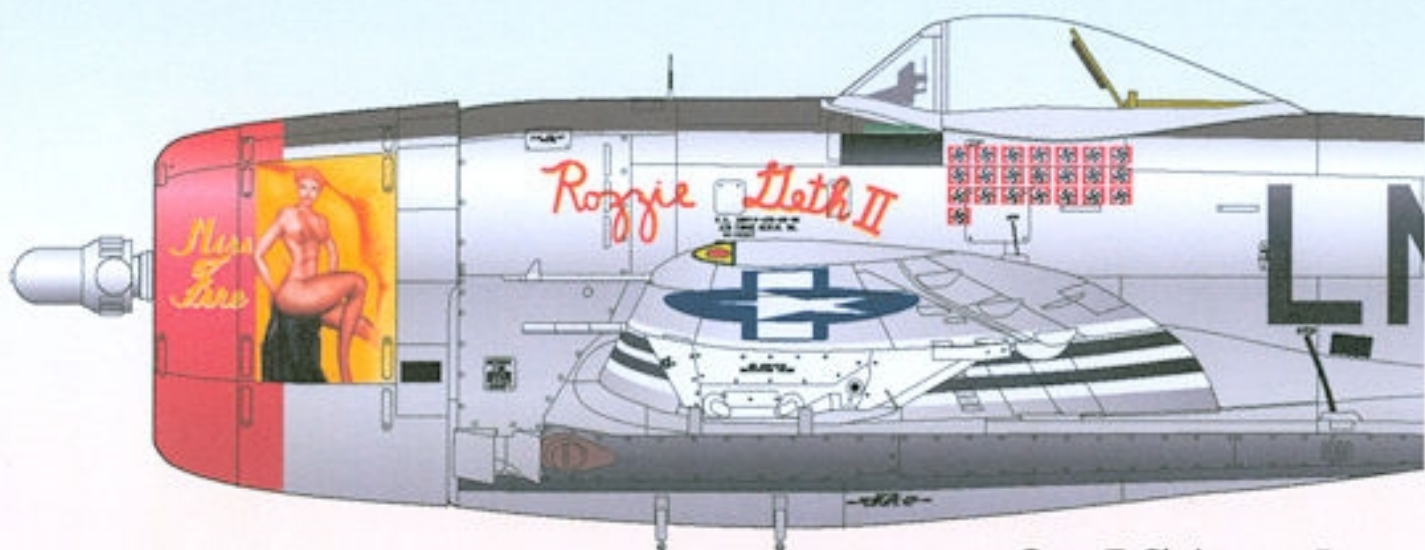
32-008

# P-47D Thunderbolt

## Best selection Part 3



Maj. Gen. W. Kepner,  
Commander VIII FC



Capt. F. Christensen Jr.,  
62FS, 56FG

Recommended kits: Hasegawa P-47D series kits

Lifelike Decals wants to hear from you and your input.

Fax: +81-743-73-5526, e-mail: [lifelike\\_d@kcn.jp](mailto:lifelike_d@kcn.jp)

<http://lifelikedecals.sakura.ne.jp>

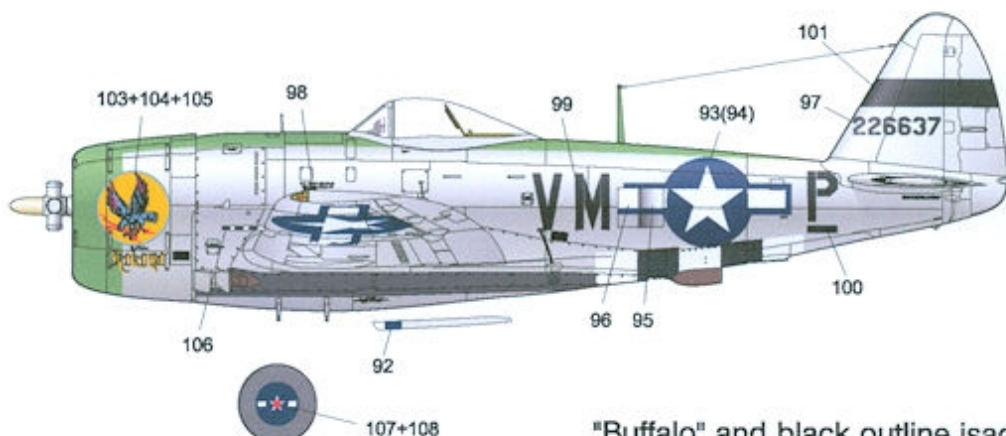
### A/C #1

P-47D-25-RE, 42-26628, flown by Capt. Frederick Christensen Jr., 62FS, 56FG, July 1944. Boxted.

This is a well-known A/C with unique marking, and is featured in some after market decals, but the details are not well printed.

Bill Kepner was a fighter pilot in WWI, and after assuming the role of VIII FC Commander, he contributed much to the extension of the cruising distance of P-47 to escort bombers. He himself flew 24 sorties, of which 16 in this A/C.

This A/C was acquired from the 495FG in autumn 1943, and is documented by 3 photographs



(Ref. 1-7). Its wings have only 3 guns each, and all of them covered by rubber caps. Moreover the cartridge exhaust holes are all covered by white tapes. It has two big size national insignias on lower wings. Photo in ref. 6 and 7 indicates

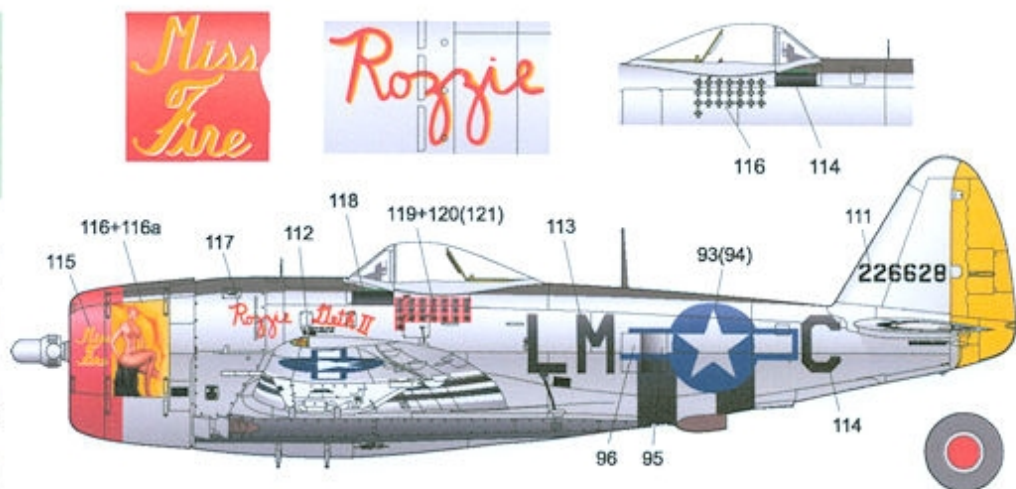
"Buffalo" and black outline is added to "Kokomo" later.

The stencils on the portside fuselage are of unique style. US insignia is painted on the wheel hub, and it is fitted with a Curtis Electric propeller. No photo is available to show the right side marking. Please paint the Invasion stripes on lower fuselage.

### A/C #2

P-47D-25-RE, 42-26628, flown by Capt. Frederick Christensen Jr., 62FS, 56FG, July 1944. Boxted.

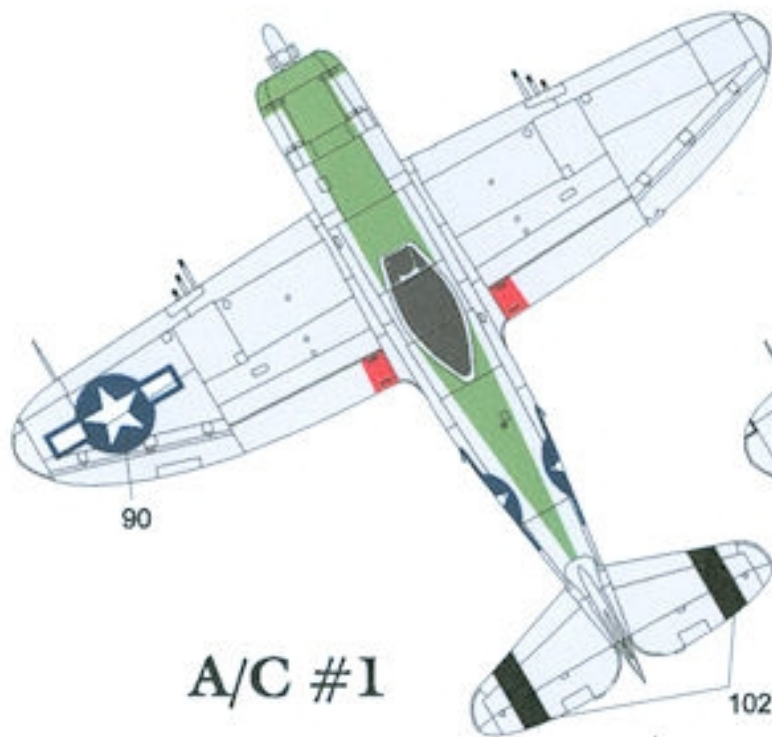
Finished in NMF with Olive Drab antiglare panel and invasion stripes on lower wings and fuselage. This is also a very famous A/C, and has been put on decal several times, but none of them showed second kill marks (in different style) on its right side. In total 7 photos are known for this A/C (ref. 1, 5-16), and the right side kill marks are shown in one of them (ref. 10, 13). He shot down six Ju-52s (17th - 22nd kill) on July 7, 1944, so 22 kill marks should also be shown on the right side. This photo also shows the white paint on the pylon as well as the big size national insignia on the lower right wing, while the left side overview photo (ref.



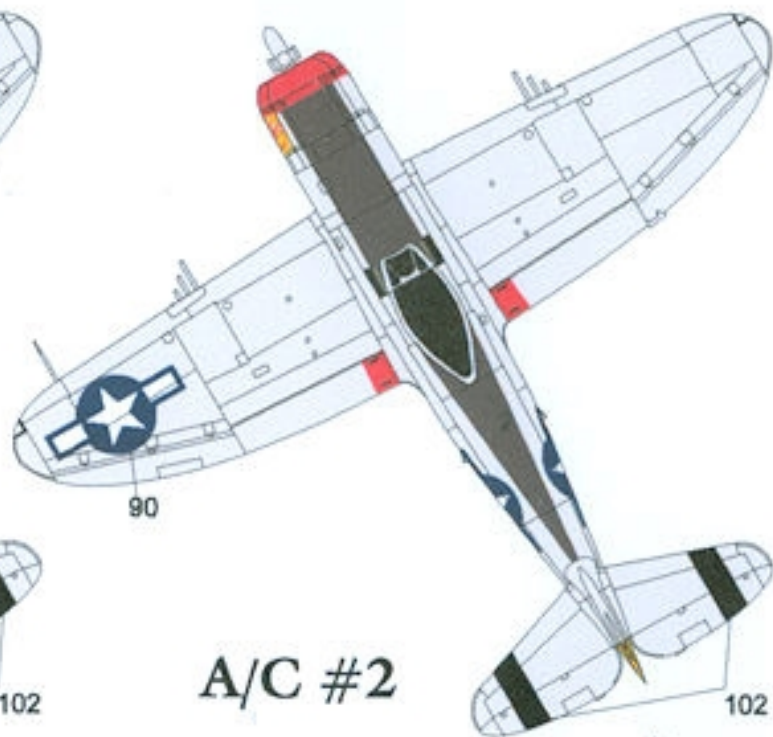
6, 11, 15) shows normal size national insignia on the lower left wing. The color photo of ref. 7 and 8 shows "Rozzie Geth II" in red with yellow shadow, and an unidentified green line on the lower edge of antiglare panel. We cannot be sure to what extent this green line was applied. In the illustration it is limited to the length of black panel, but might have been extended to the red nose cowl. The nose art

is clearly painted on a light colored square (ref. 1, 5, 9, 11, 15, 16), which we think is light blue with light gray clouds. This A/C is fitted with a Hamilton Standard propeller.

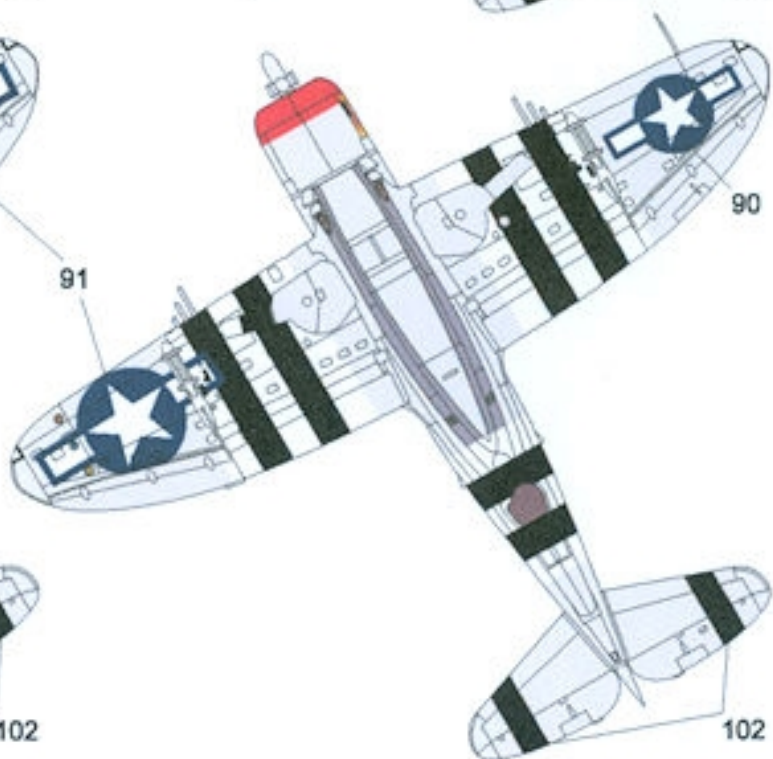
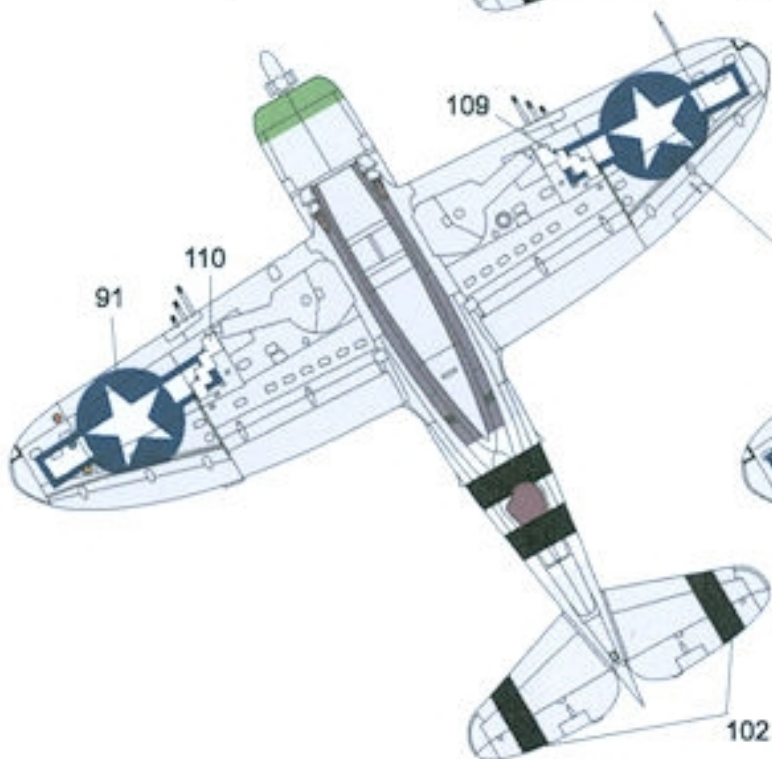
Capt. Christensen retired as colonel in 1970 with a score of 21.5 confirmed and 2 damaged. Due to the limited space available, we did not include the red disc mark on the wheel hub, so please paint it in red.



A/C #1

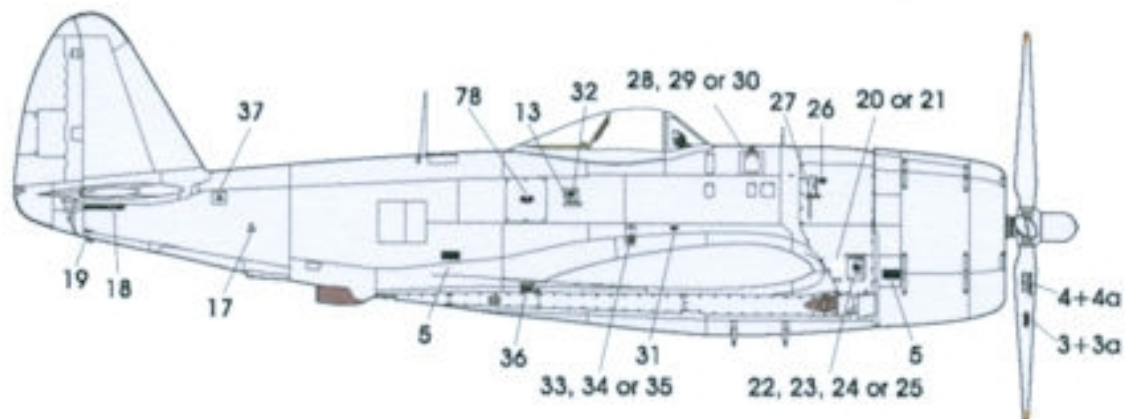


A/C #2



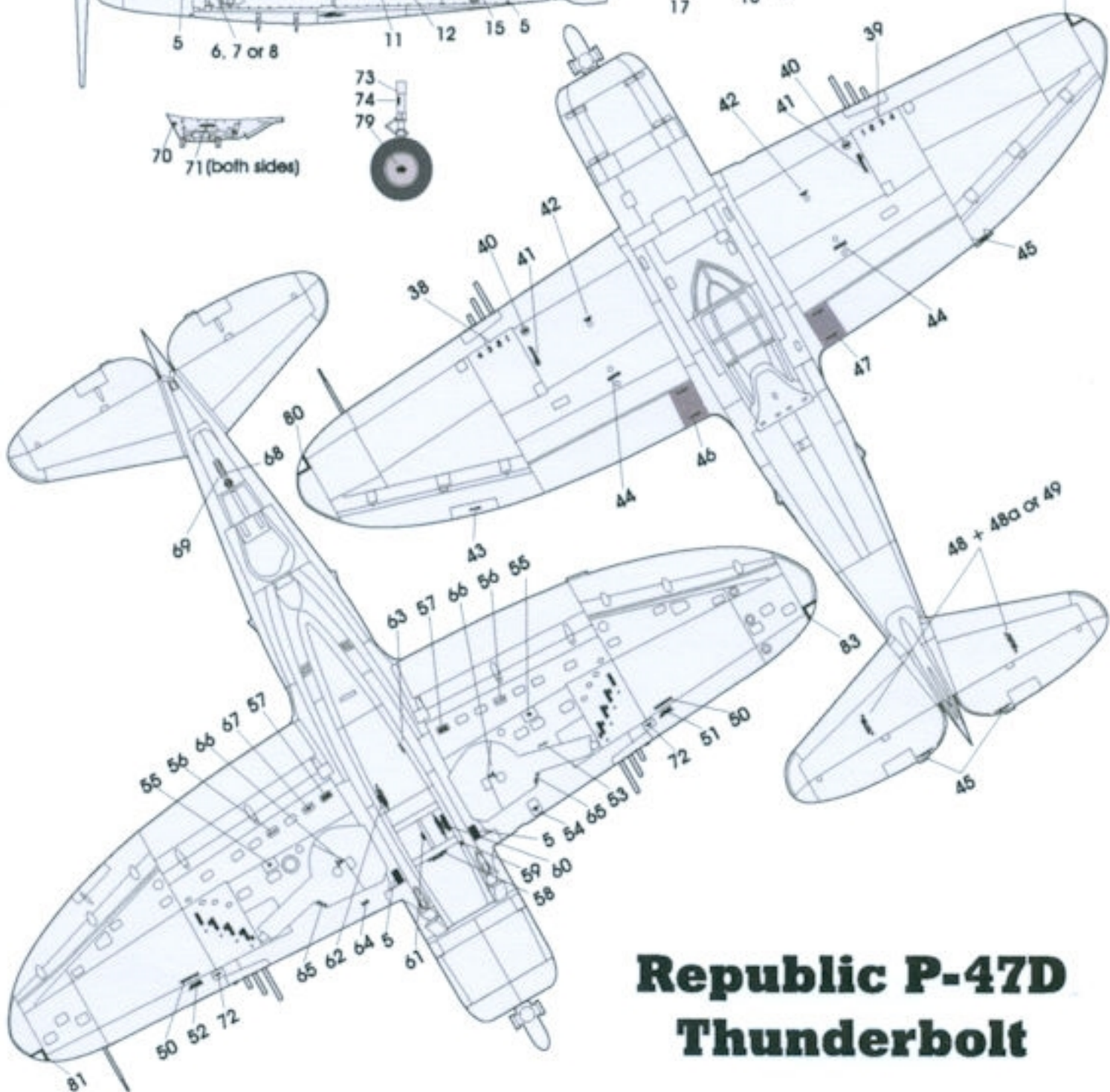
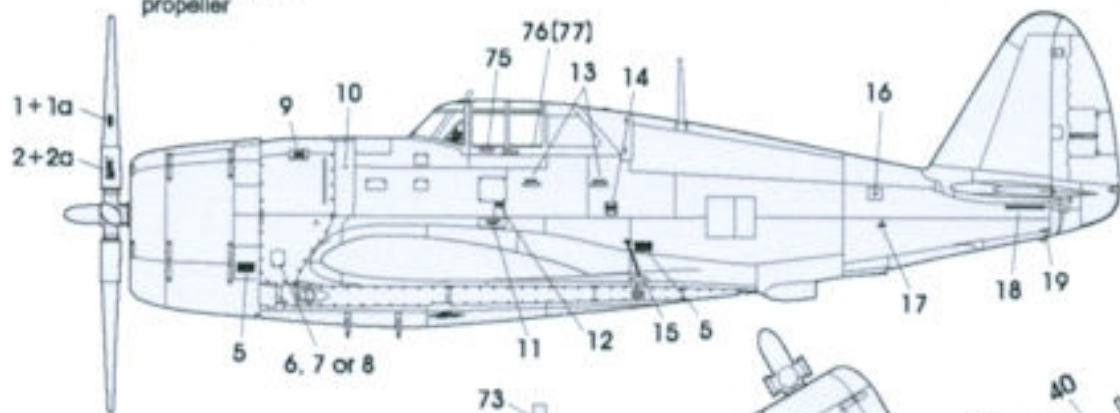
**References:**

1. Republic P-47 Thunderbolt/From Seversky to Victory (W. Bodie, Widewing Publications, 1994)
2. The Mighty Eighth in Color (R. Freeman, Specialty Press, 1992)
3. The Mighty Eighth-The Color Record (R. Freeman, Casell & Co. 2001)
4. Warbird History P-47 Thunderbolt (W. Hess, Motorbooks, 1994)
5. American Eagles 3, P-47 Thunderbolt Units of the Eighth AF (R. Freeman, Classic Publications, 2002)
6. Aces & Wingmen II, vol. 1 (Danny Morris, Aviation USK, 1989)
7. Fighters of the Mighty Eighth 1942-1945 (W. Hess, T. Ivie, Motorbooks, 1990)
8. WWII Nose Art in Color (J. Ethell, Motorbookds International, 1993)
9. 56th Fighter Group (L. Davis, Squadron-Signal Publishing, 1991)
10. Zemke's Wolfpack (W. Hess, Motorbookds International, 1992)
11. Beware the Thunderbolt! (D. MxLaren, Schiffer Military History, 1994)
12. Osprey Aces 24 (J. Scutts, Osprey Publishing, 1998)
13. Osprey Aviation Elite 2 (R. Freeman, Osprey Publishing, 2000)
14. Aces & Wingmen (Danny Morris, Neville Spearman, 1972)
15. War Paint (J & D. Campbell, Motorbooks International, 1990)
16. Vintage Aircraft Nose Art (G. Valant, Motorbookds International, 1987)



Curtiss Electric propeller

Hamilton Standard propeller



**Republic P-47D  
Thunderbolt**