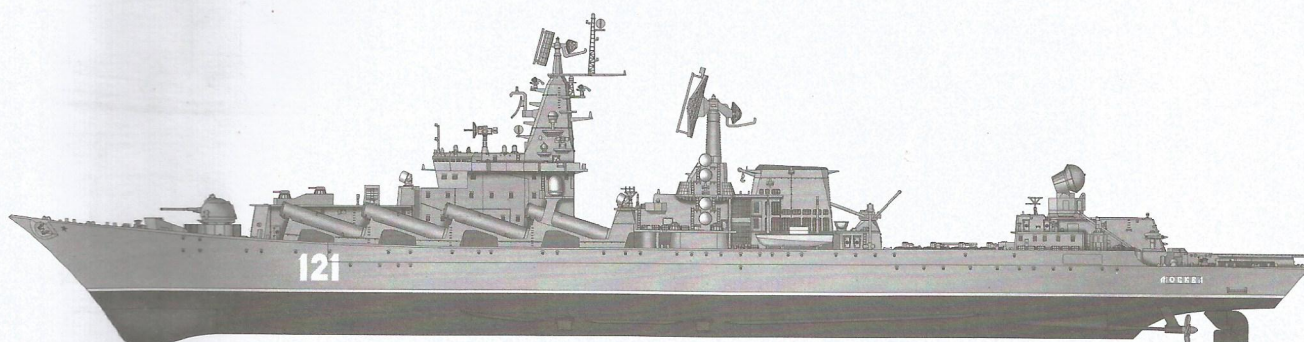


Russian Navy Moskva

俄罗斯海军莫斯科号巡洋舰



READ BEFORE ASSEMBLY:

- This kit is not recommended for inexperienced modelers or for children under 14 years of age
- Study and understand these instructions thoroughly before beginning assembly
- When needed, remove photo-etch parts carefully using a modeling knife or photo etch sprue cutter, being careful not to damage or lose small parts.
- Take extra care in handling photo etch parts in order to avoid injury
- Apply instant cement sparingly to photo etch parts where instructed
- Tools recommended(not included in kit):Plastic and instant cements,sprue cutters,long nose pliers,,modeling knife, small files, tweezers, pin vise & scissors. Soft cloth and sandpaper will also assist in construction
- Glue and paint are not included in the kit. Use plastic cement and hobby paints only. Color guide for purchasing paint is included in the kit.
- Keep out of reach of children. They must not be allowed to ingest small parts or handle plastic bags in any way.

装配之前仔细阅读

- 小心用模型锉刀锉平所有零件表面的注射浇口。
- 小心用刀片切下蚀刻片零件，不要遗失小零件。
- 用强力快干胶水粘合蚀刻片零件和金属轴。过量的快干胶水使用可能导致可动零件会粘住，小心涂胶。
- 取蚀刻片时应特别注意安全，防止利边划伤手指。
- 某些零件表面需贴上水贴纸，请选择在装配的同时进行。
- 推荐模型工具(自备)：胶水，水口剪刀，长咀钳，刀片，锉刀，镊子，钳，钻，剪刀，瞬间快干胶。
- 软布同砂纸同时也应该是必备工具。
- 请使用塑料胶水和油漆，模型内不含。
- 谨防小孩吸吮塑料零件，或者将塑料袋套在头上，制作时应将套材远离小孩接触。
- 本产品不适合14岁以下没有经验的模型爱好者。



cyanocrylate glue
使用强力胶



weight
配重



make hole
钻孔



cut / remove
切除



bend
弯曲



file / sand
锉平



option
选择



no cement
不涂胶水



decal
贴纸

水贴纸的使用:

1. 从水贴纸上剪下印花;
2. 将印花放入温水中浸10秒，然后放在干净布上。
3. 拿着印花纸板将印花移到模型上;
4. 手指蘸水将印花移到适当的位置;
5. 用软布轻压印花直至水干，气泡消失。

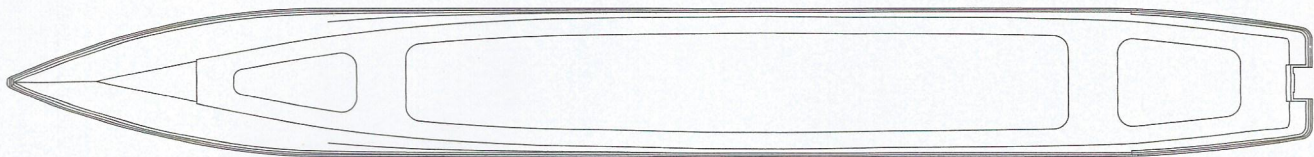
DECAL APPLICATION

1. Cut off decal from sheet.
2. Dip the decal in tepid water 40°C for about 10 sec. and place on a clean cloth.
3. Hold the backing sheet edge and slide decal onto the model.
4. Move decal into position by wetting decal with finger.
5. Press decal gently down with a soft cloth until excess water and air bubbles are gone.

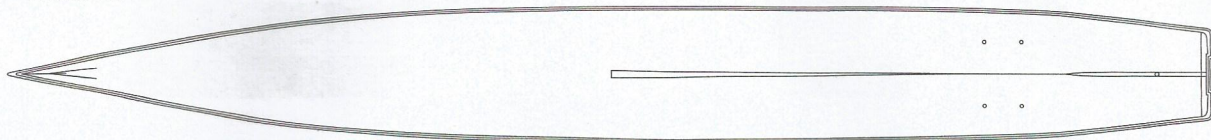
部品图

Parts

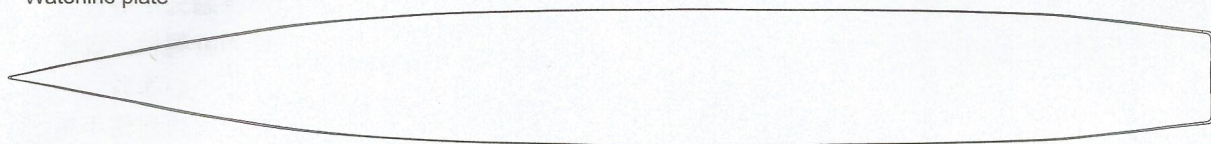
上船体
Upper hull



下船底
Lower hull

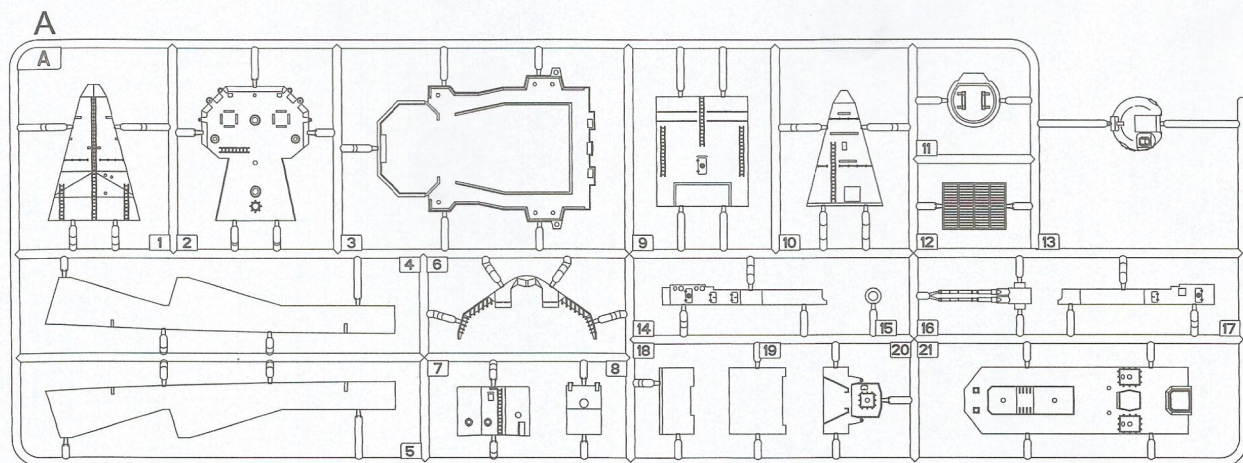
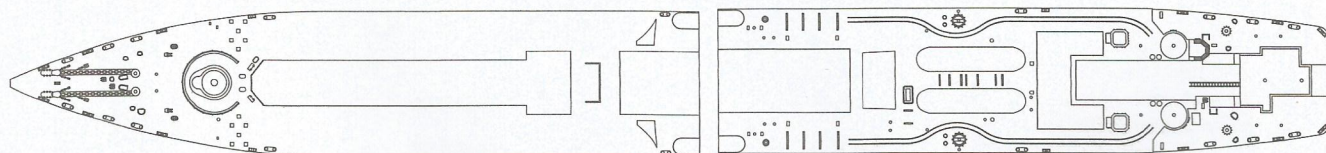


水线板
Waterline plate

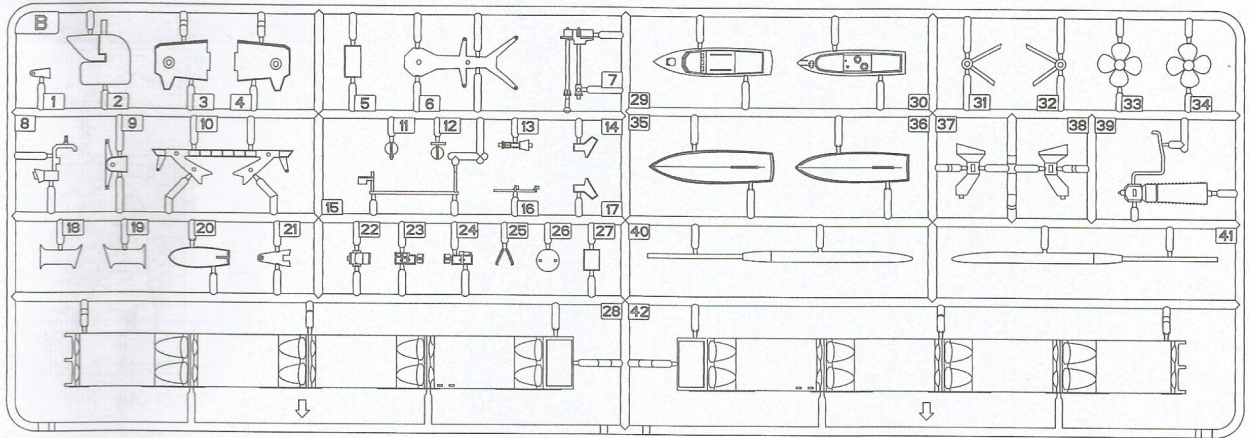


前甲板
Fore deck

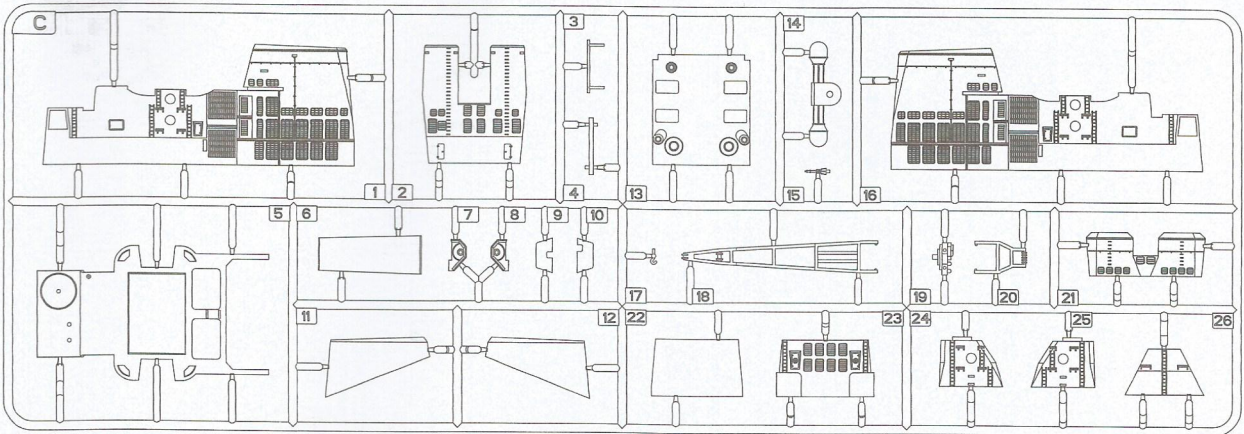
后甲板
Rear deck



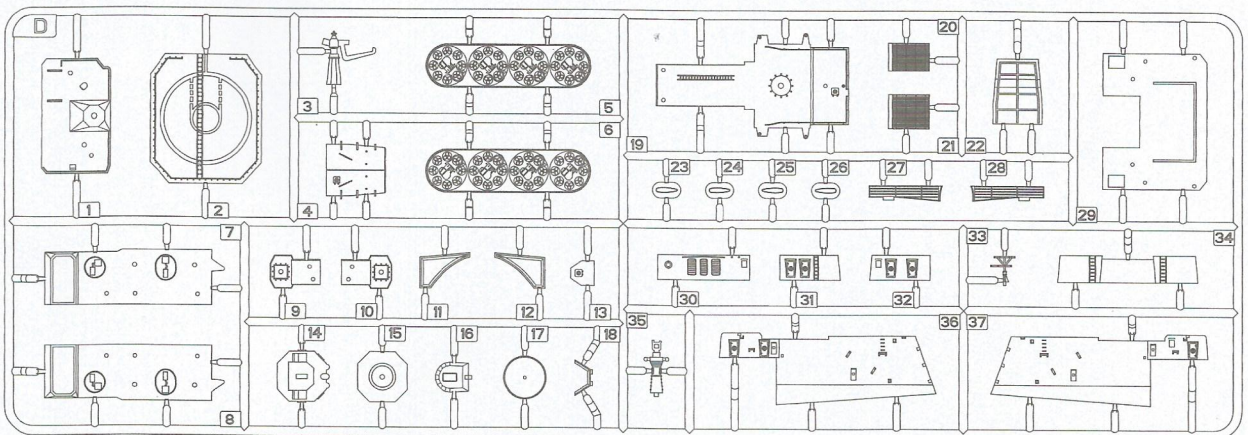
B



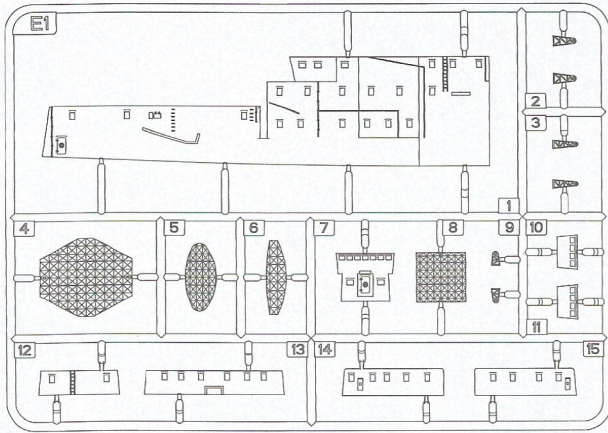
C



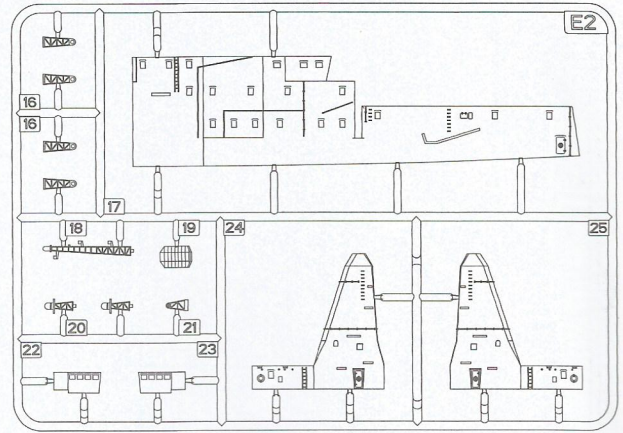
D



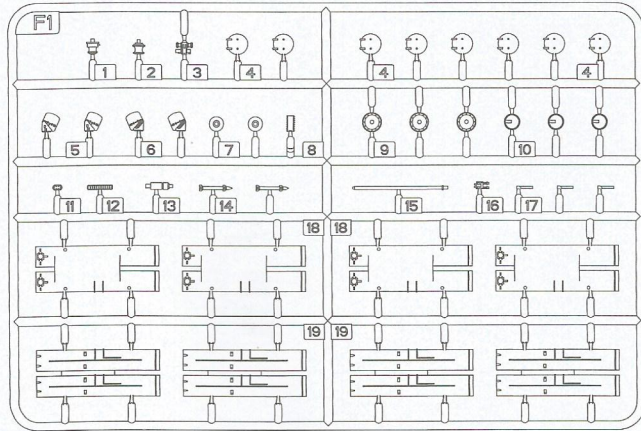
E1



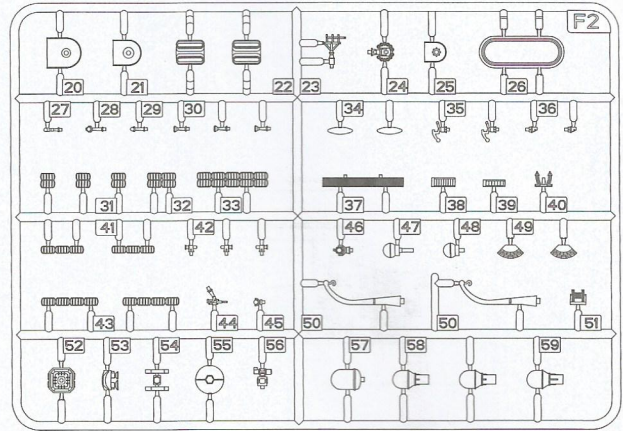
E2



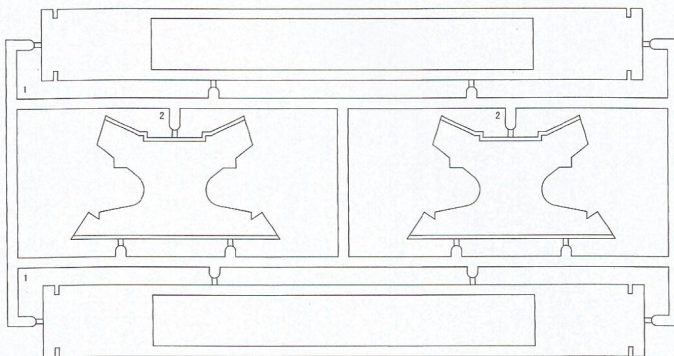
F1x2



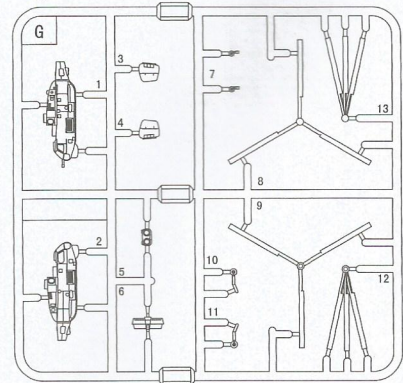
F2x2



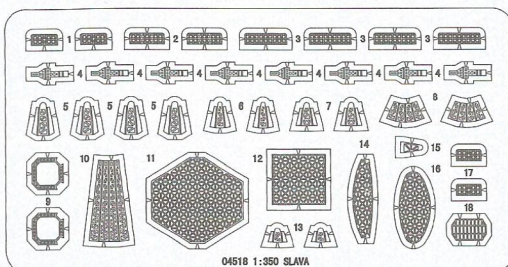
座架
Stand



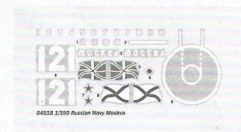
G



蚀刻片
Photo etched



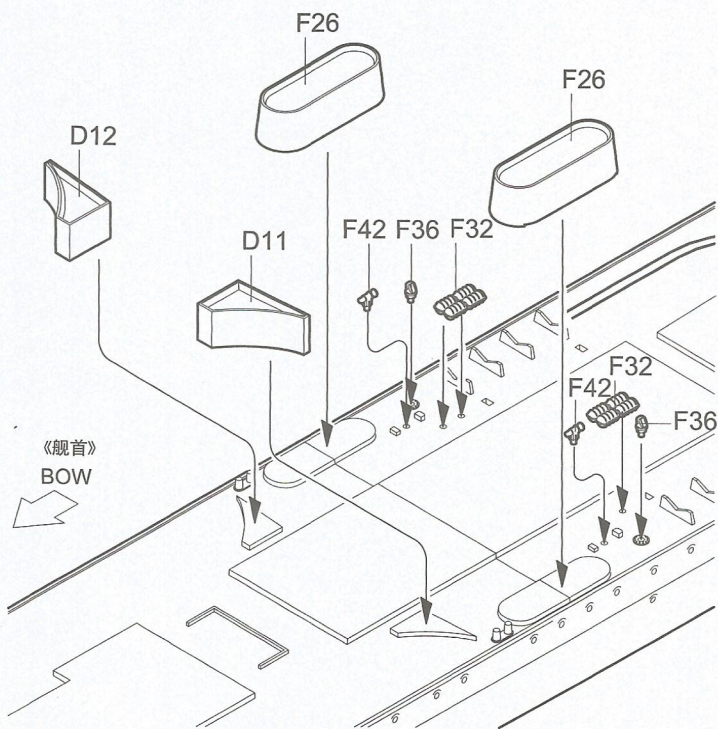
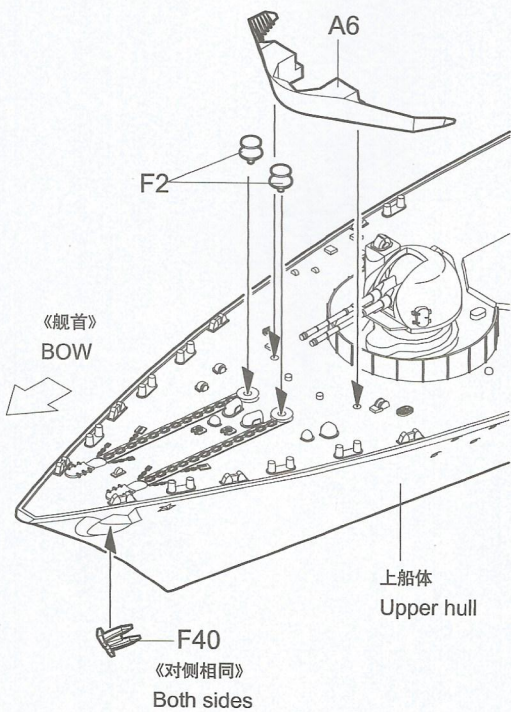
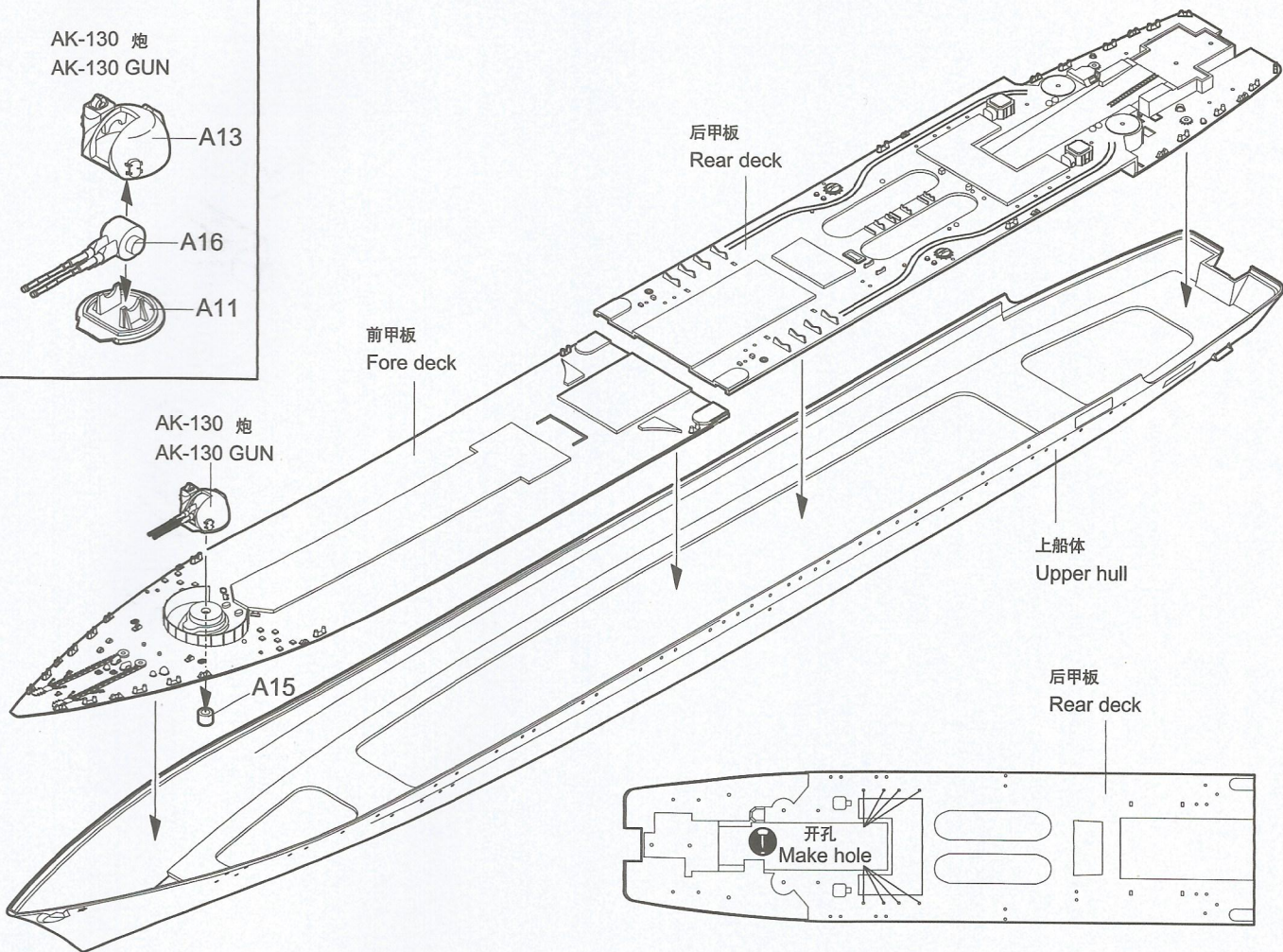
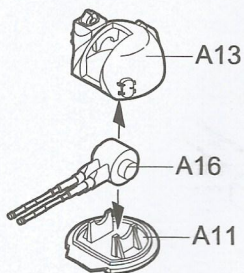
水贴
Decal



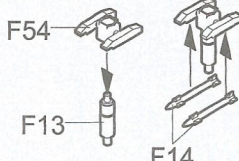
铭牌
Name plate



AK-130 炮
AK-130 GUN

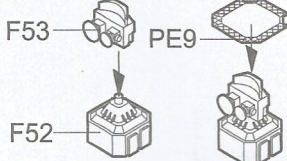


SA-N-4 发射器
SA-N-4 LAUNCHER

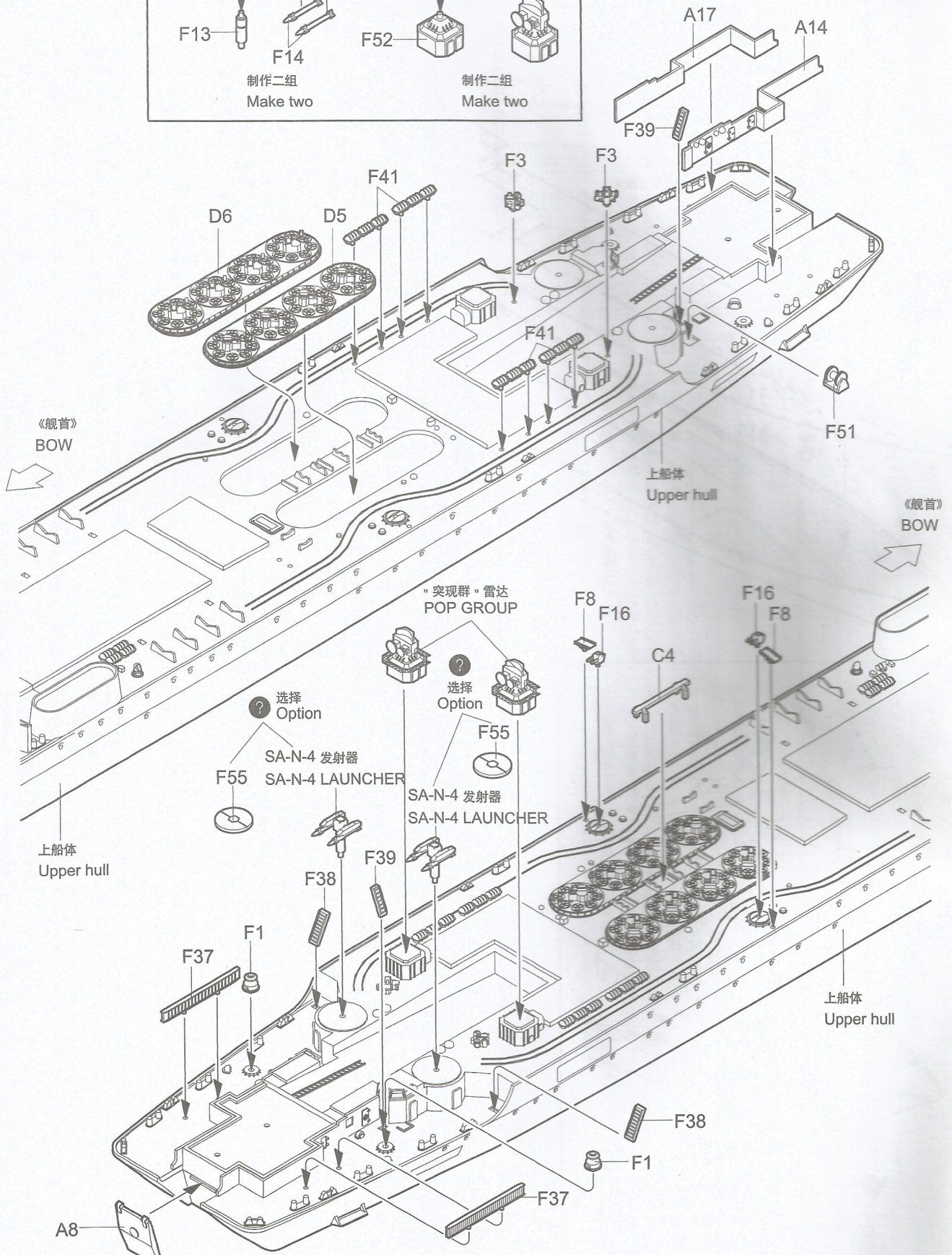


制作二组
Make two

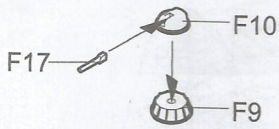
"突现群" 雷达
POP GROUP



制作二组
Make two

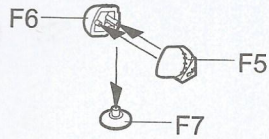


AK-630 近防炮
AK-630 GUN



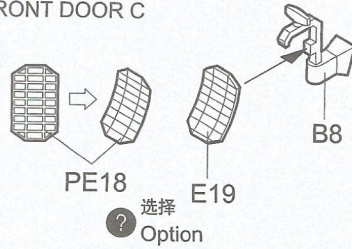
制作六组
Make six

火控雷达
FIRE CONTROL



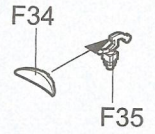
制作三组
Make three

"前门C"火控雷达
FRONT DOOR C



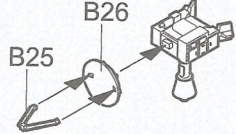
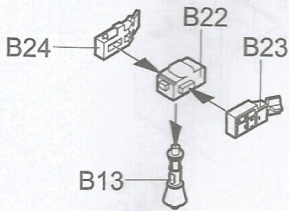
选择
Option

"棕榈叶"制导雷达
PALM FROND

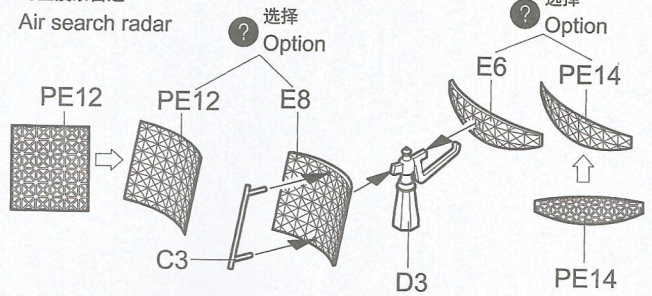


制作三组
Make three

"鸢鸣"火控雷达
KITE SCREECH

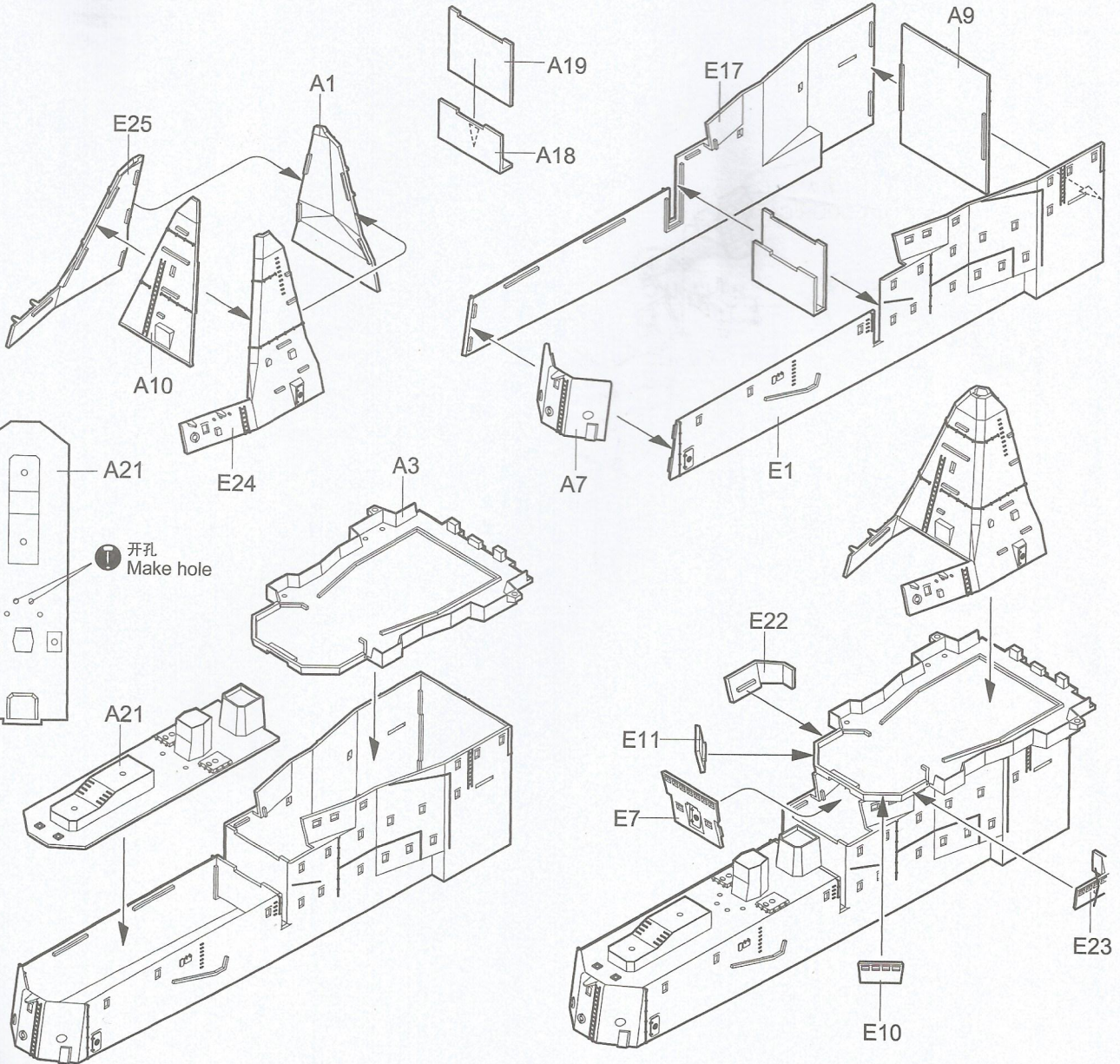


对空搜索雷达
Air search radar

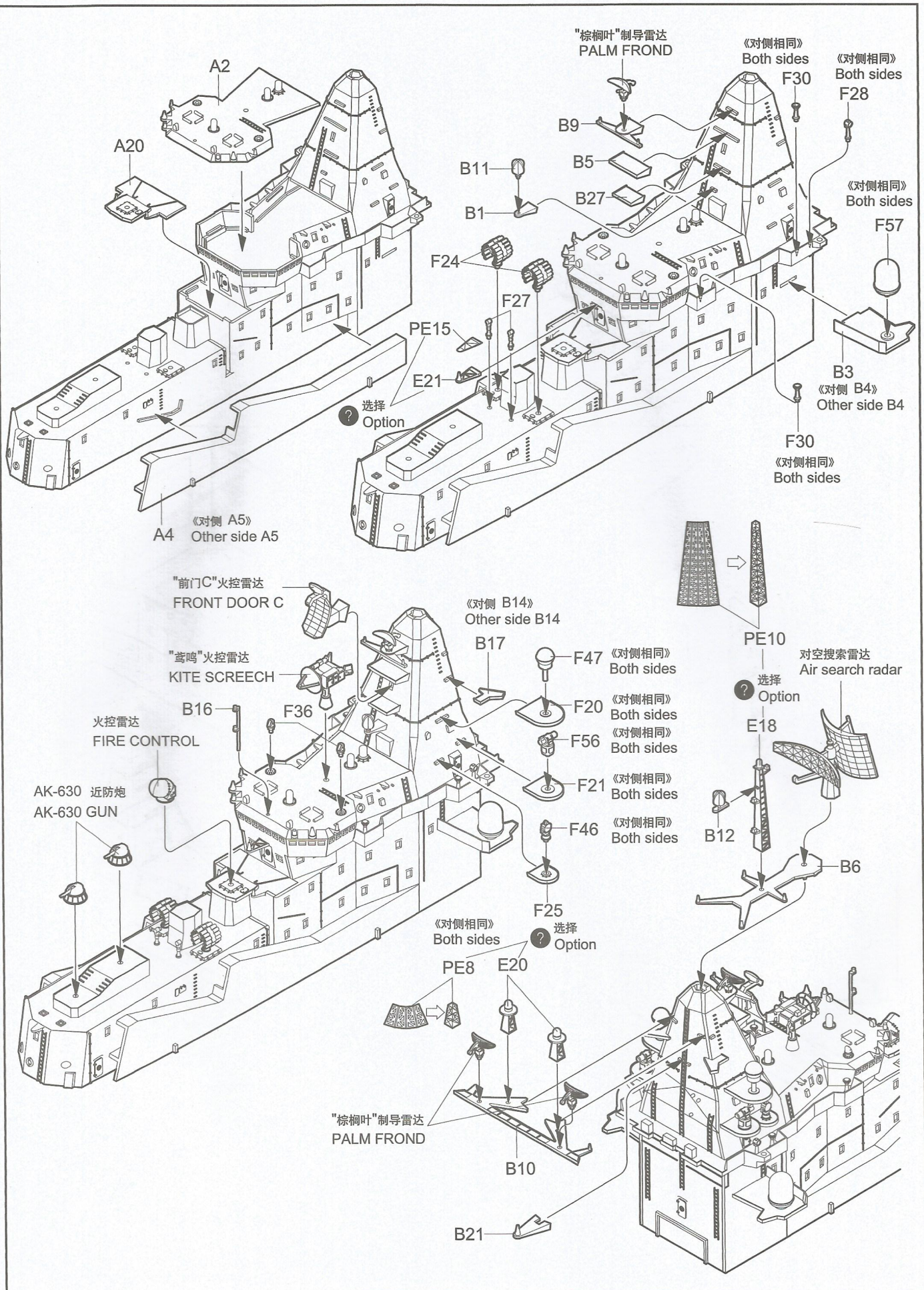


选择
Option

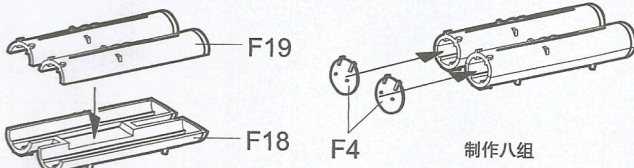
选择
Option



开孔
Make hole



SS-N-12 发射器
SS-N-12 LAUNCHER



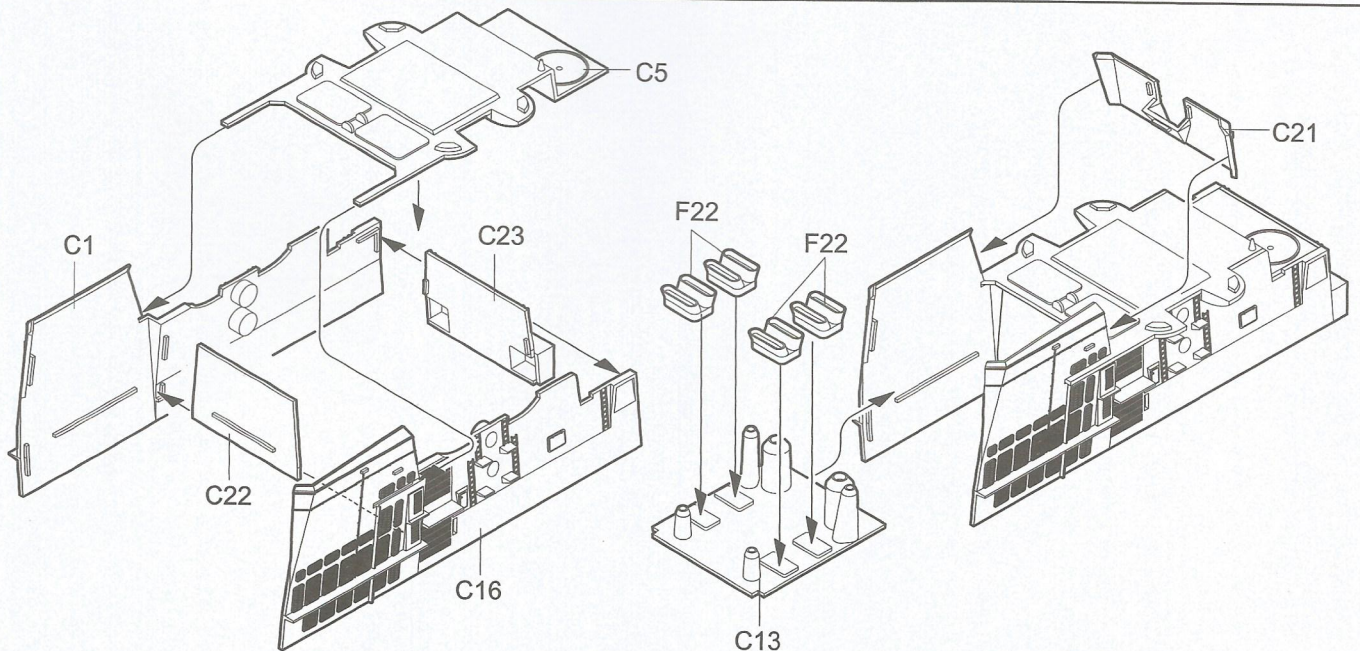
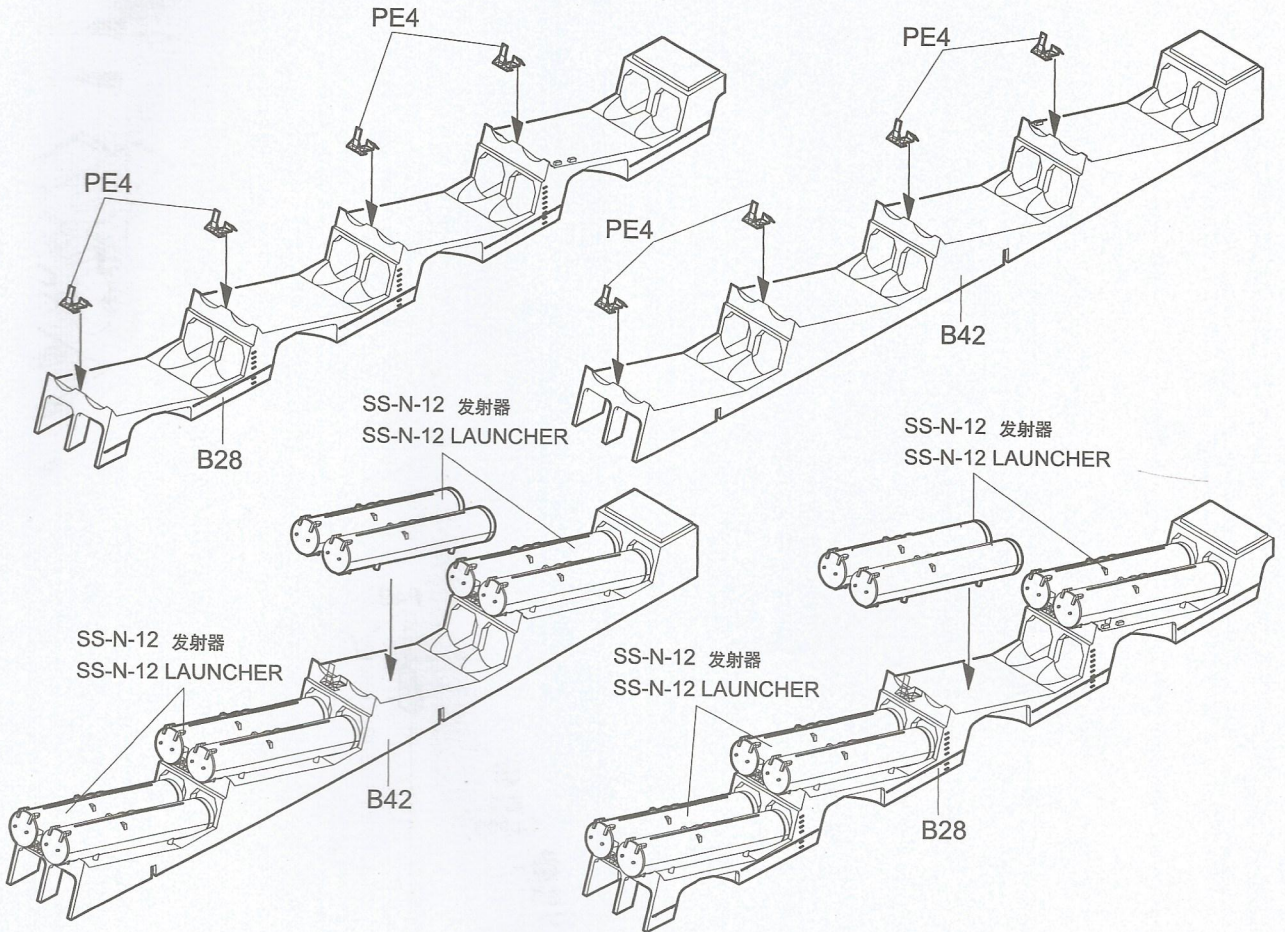
制作八组
Make eight



PE4



制作八件
Make eight





PE6

制作二组
Make two



PE7

制作二组
Make two



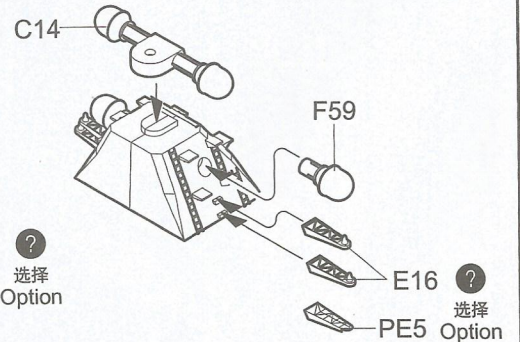
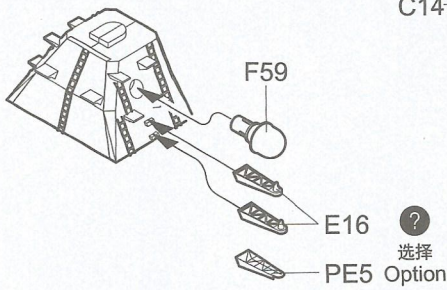
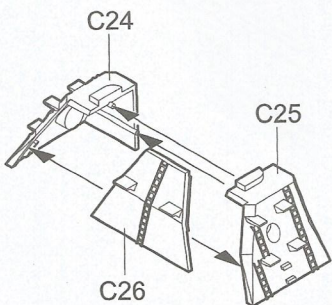
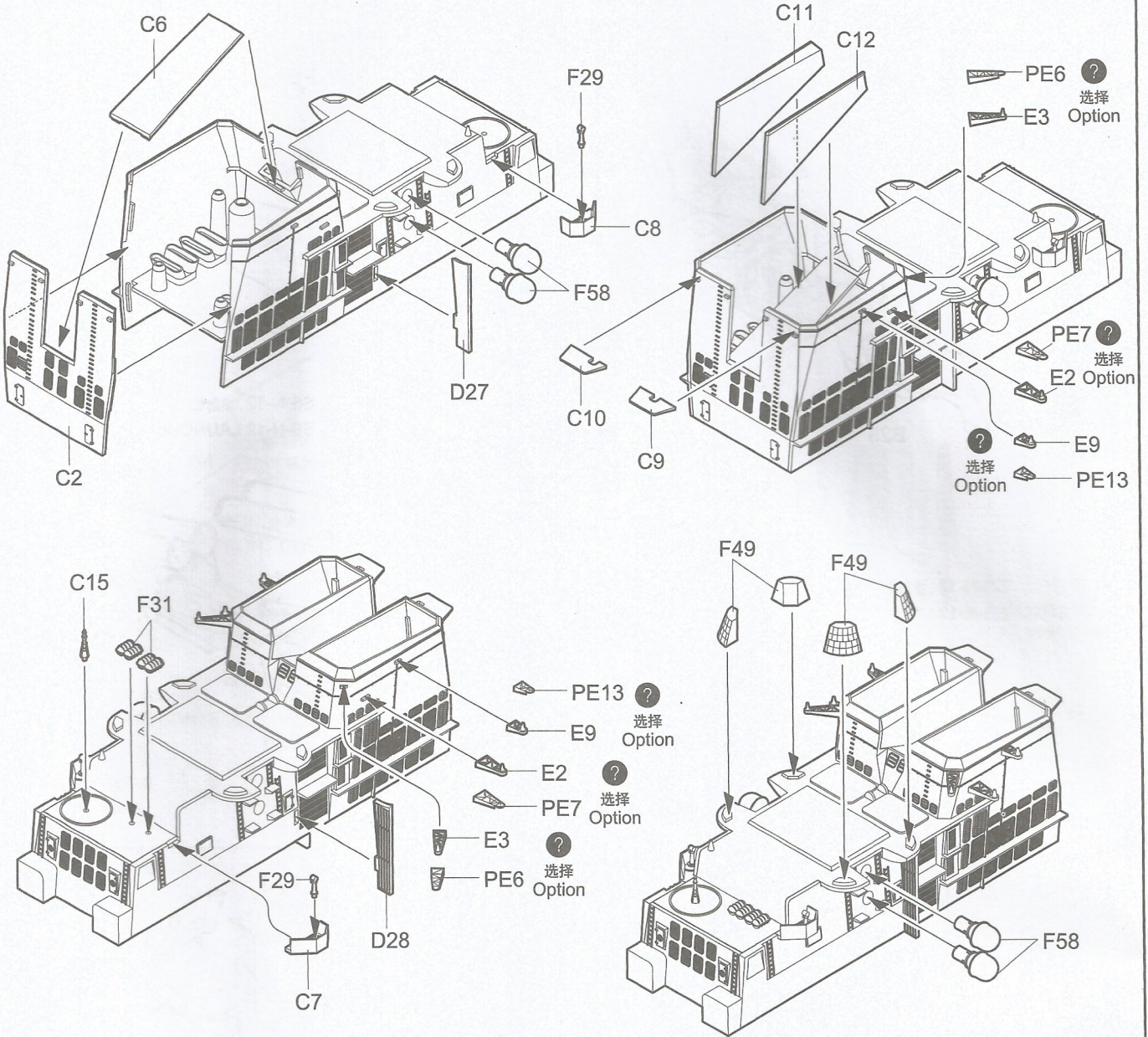
PE13

制作二组
Make two

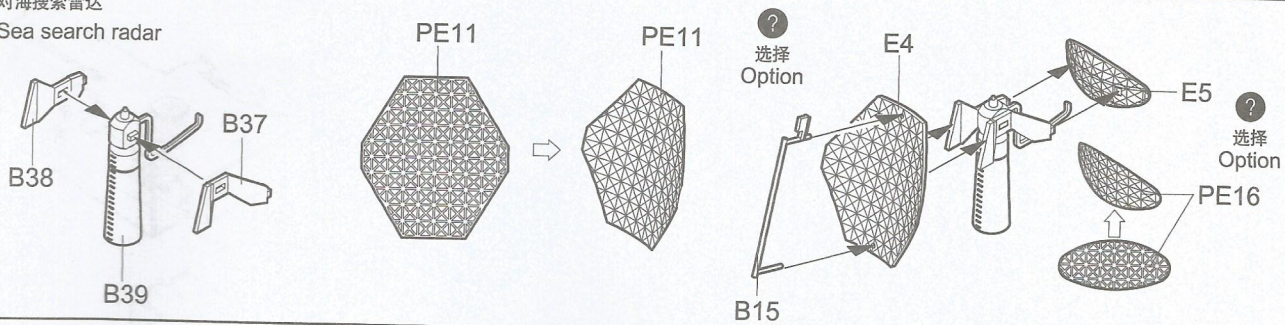


PE5

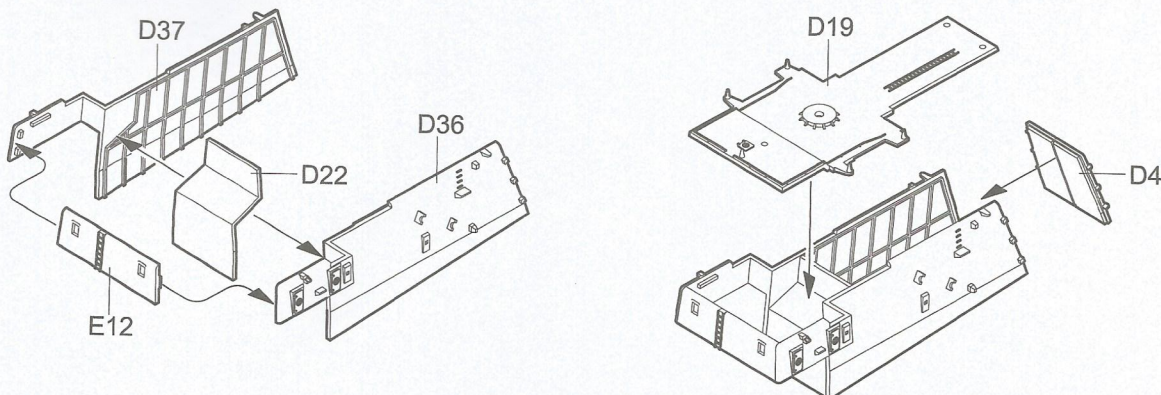
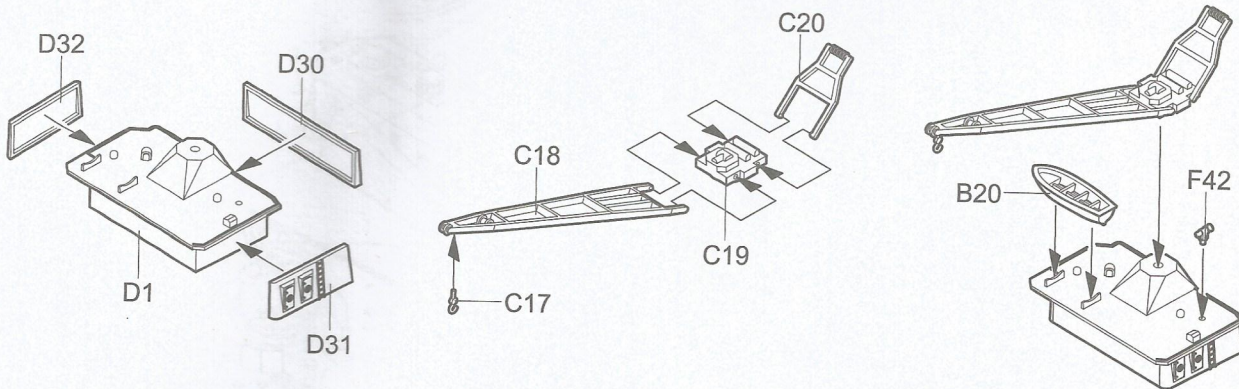
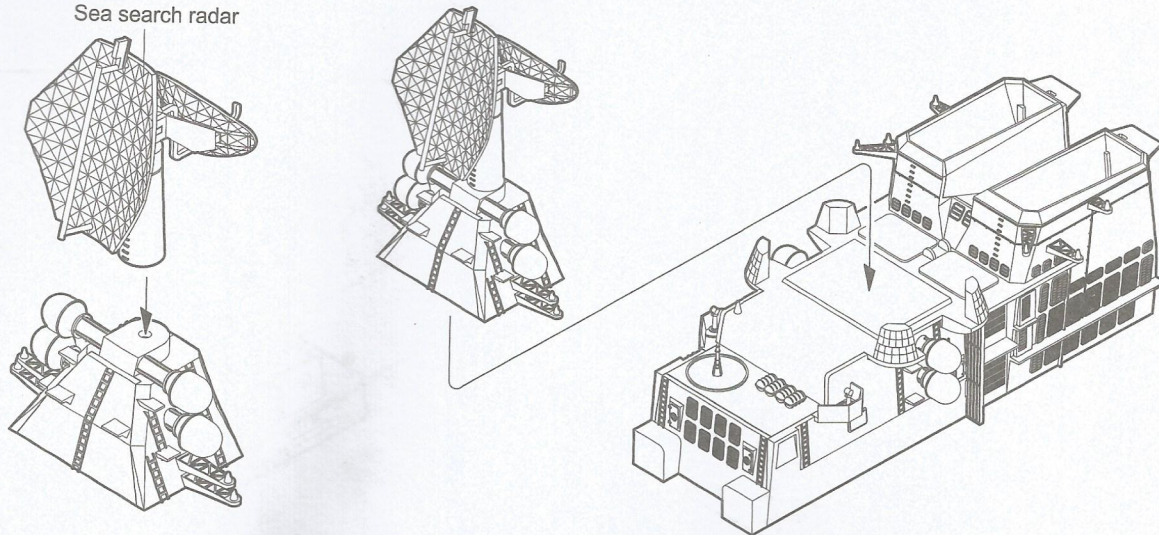
制作四组
Make four

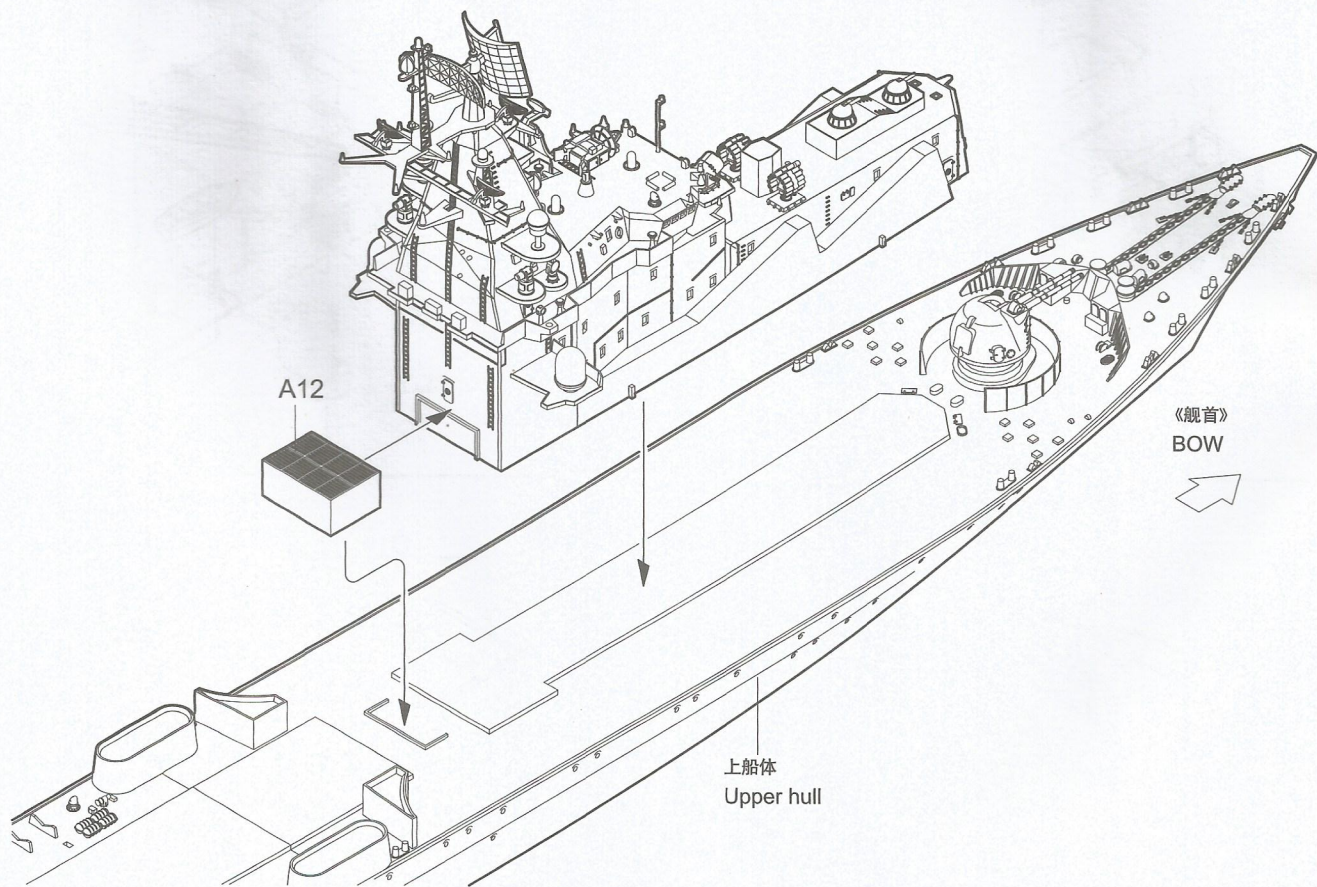
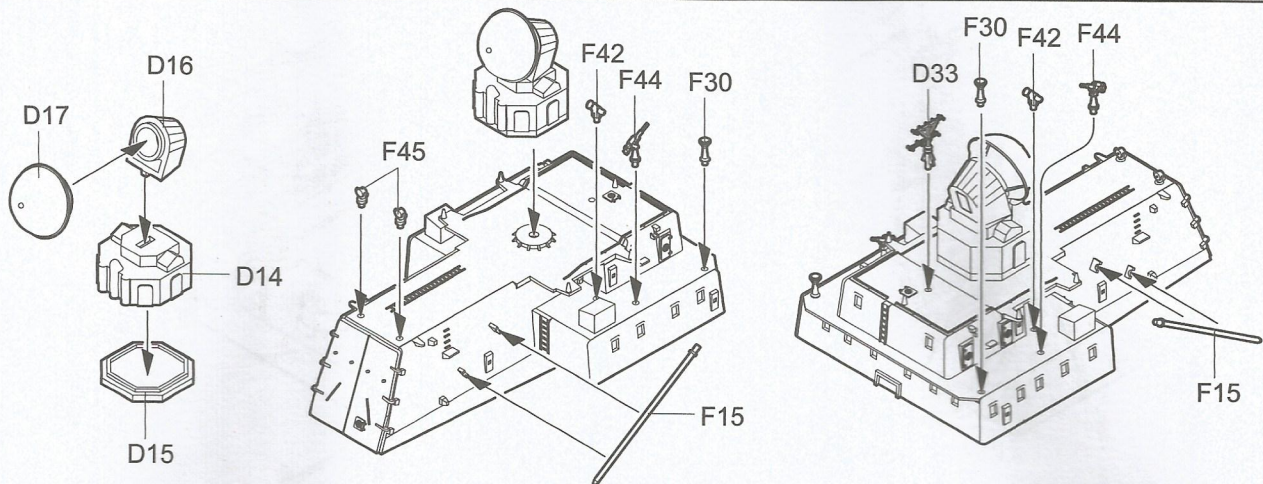
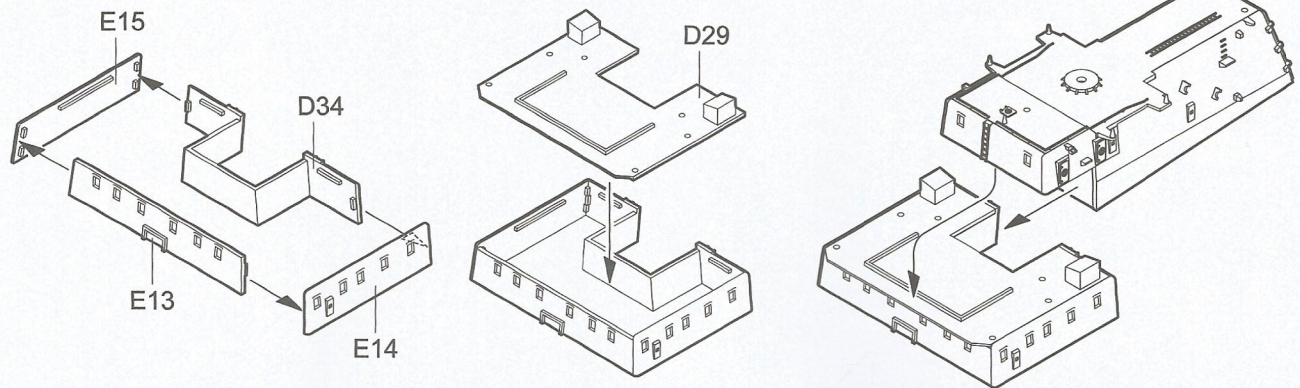


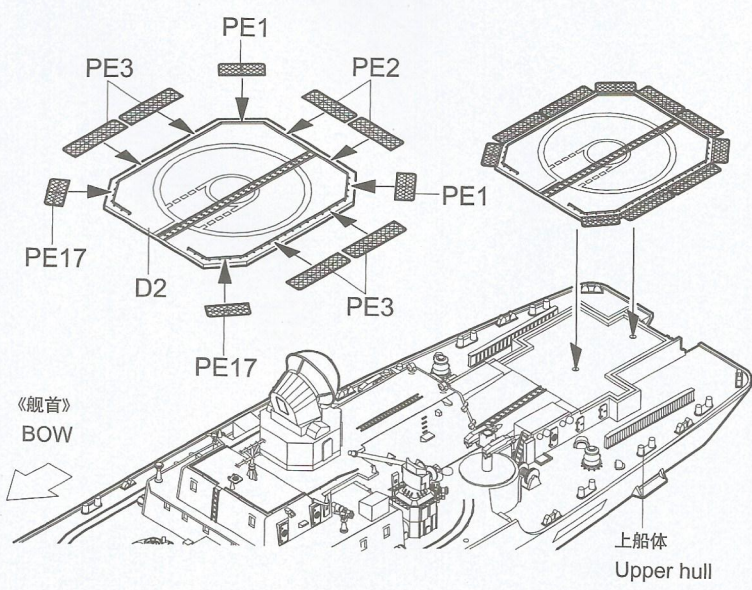
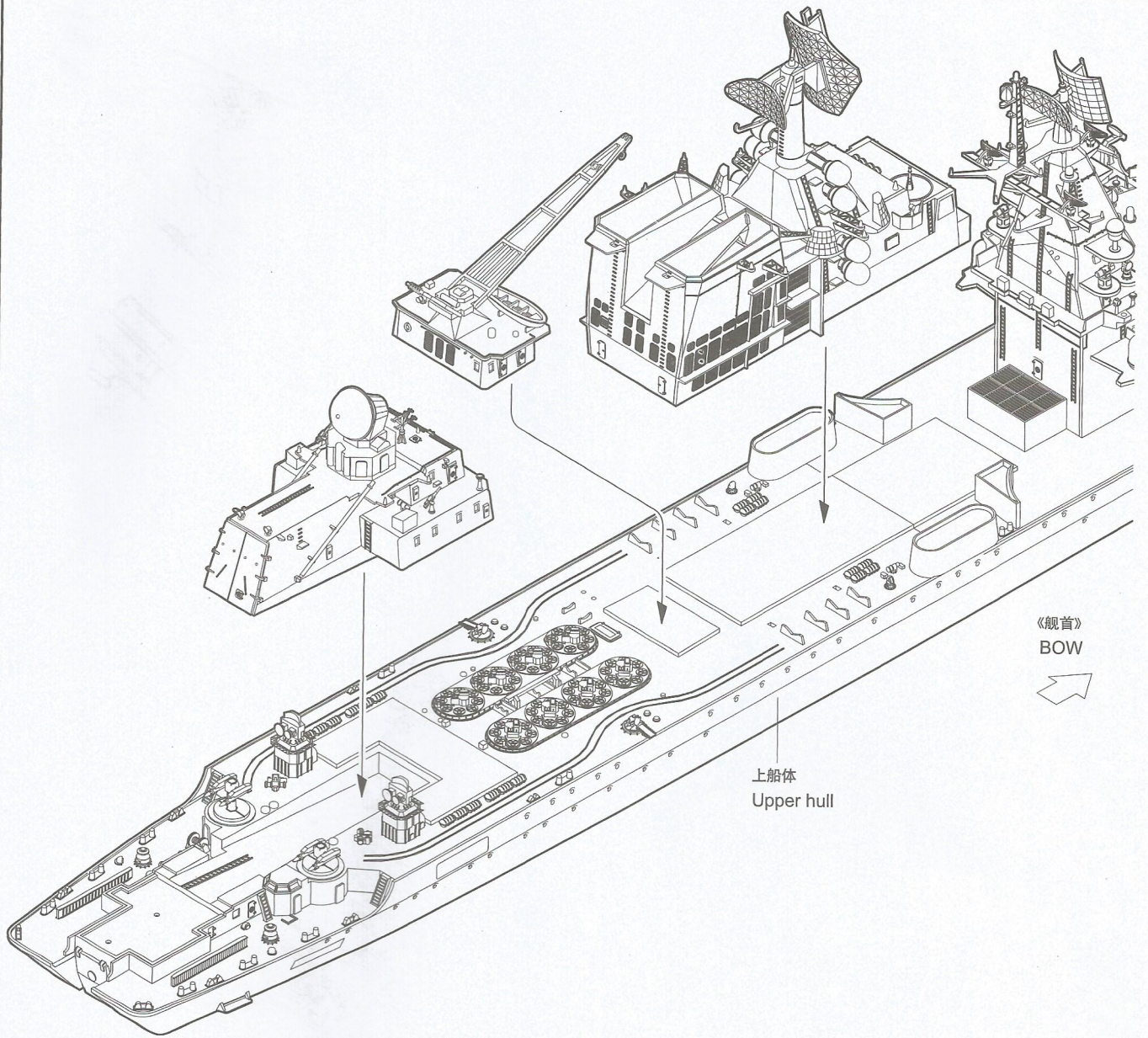
对海搜索雷达
Sea search radar



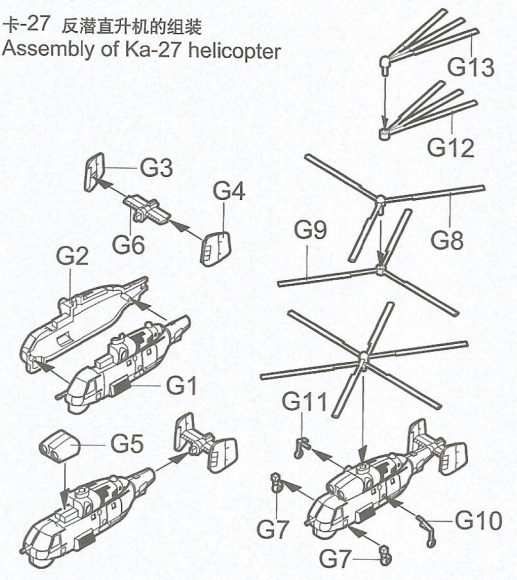
对海搜索雷达
Sea search radar

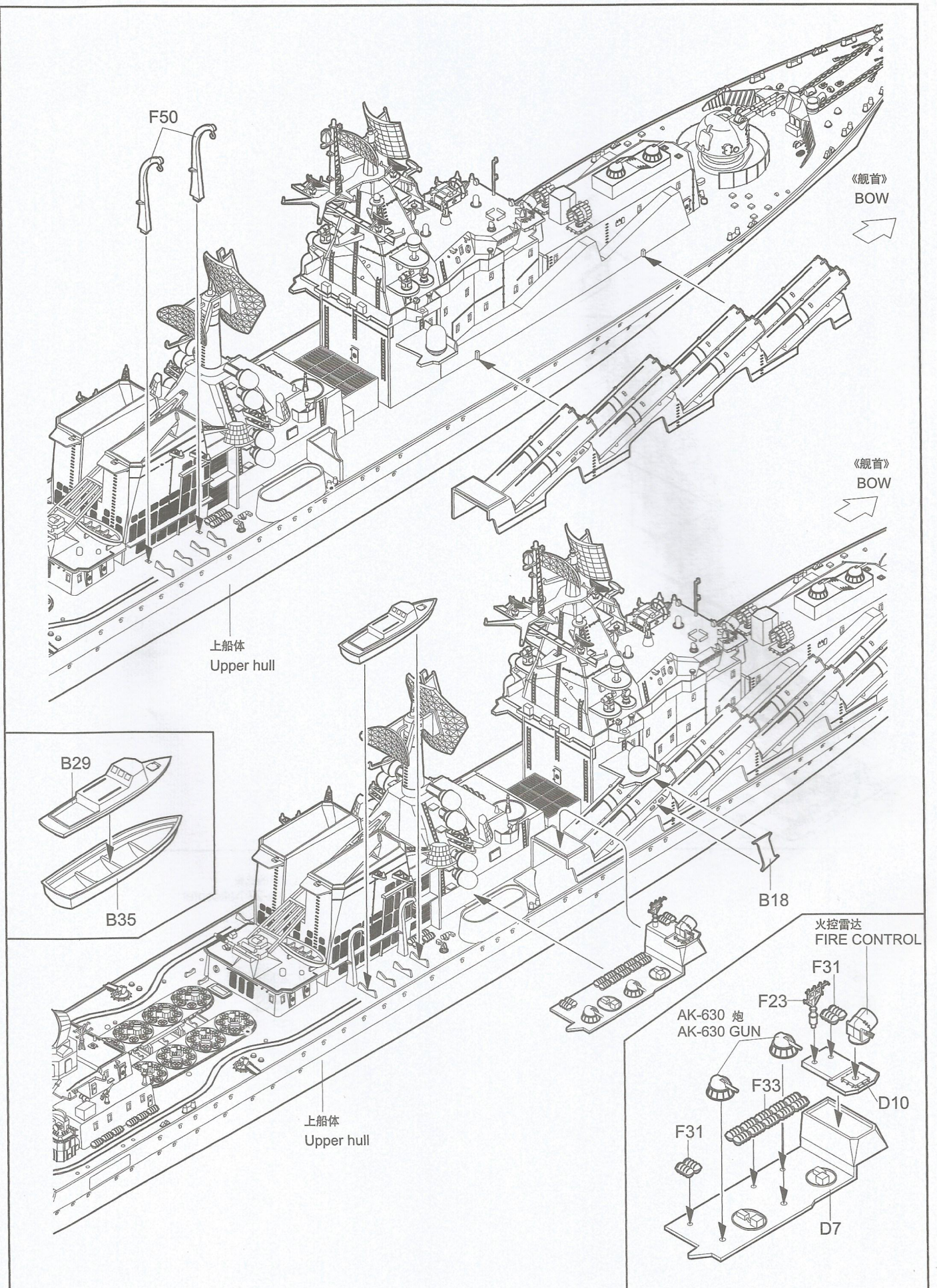


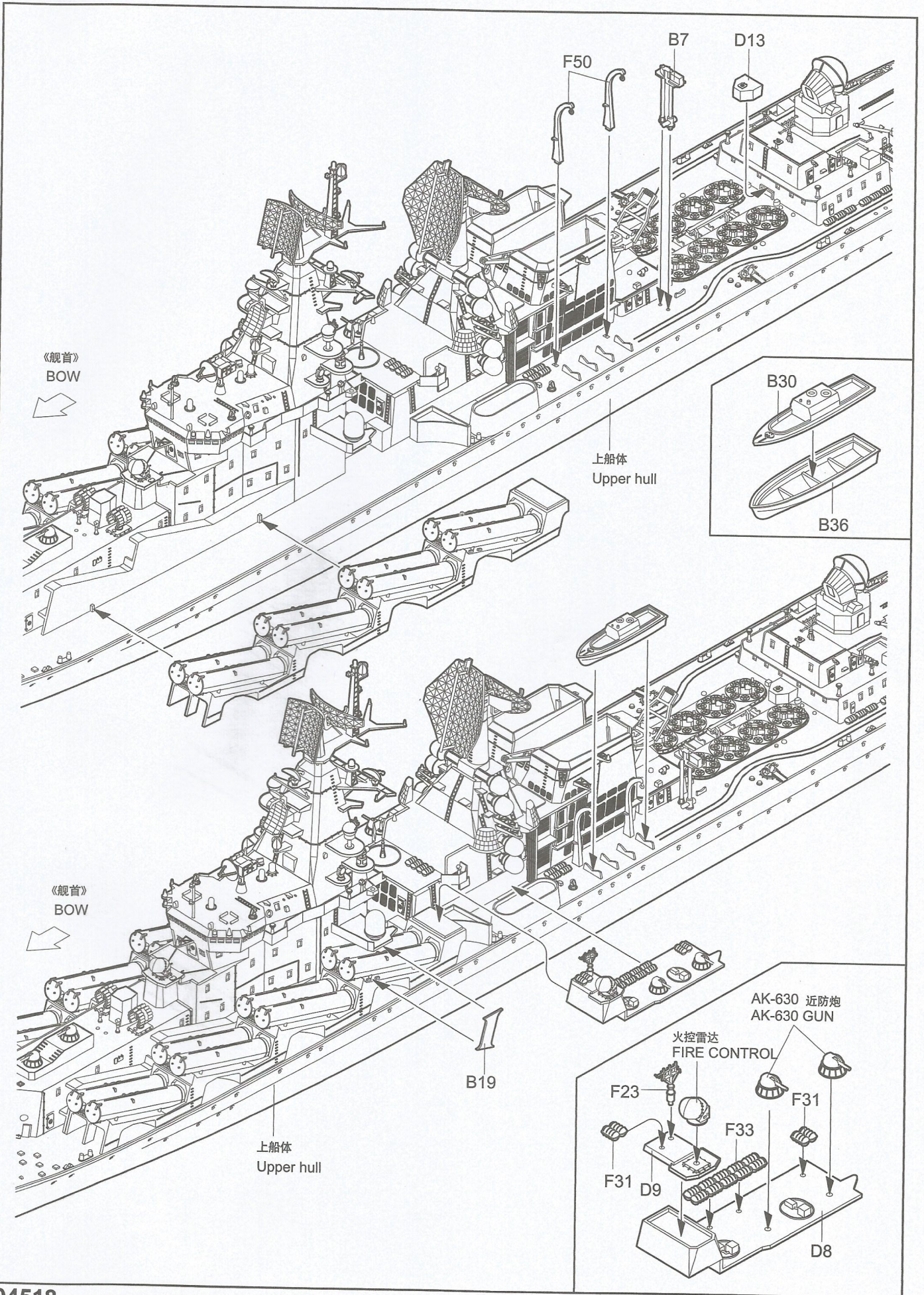


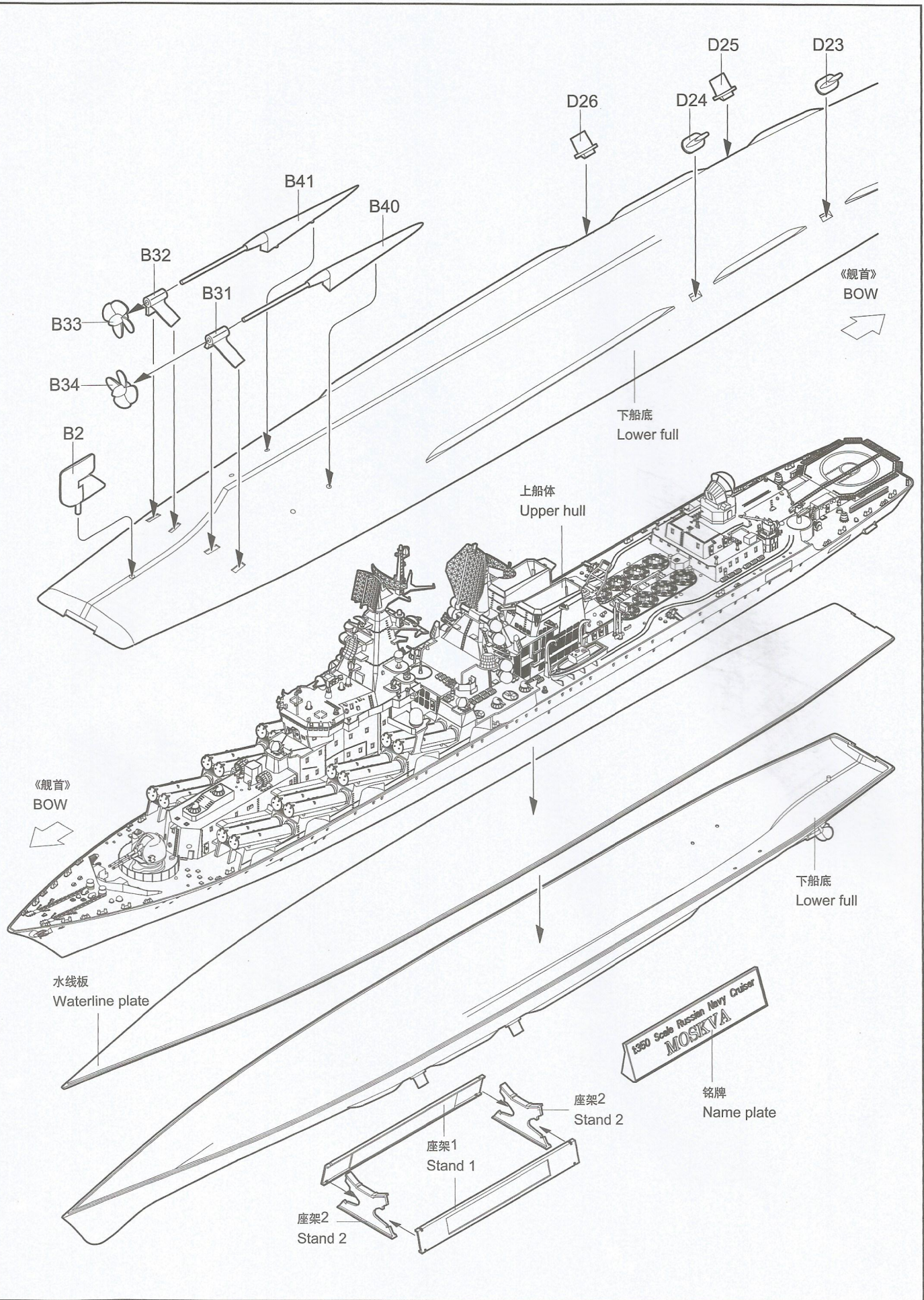


卡-27 反潜直升机的组装
Assembly of Ka-27 helicopter



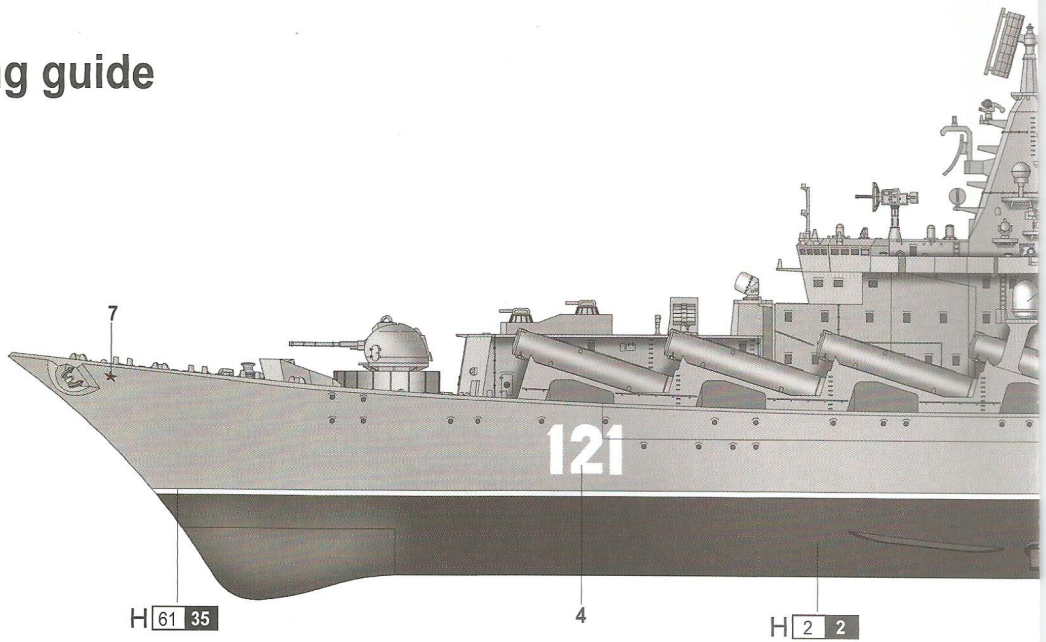
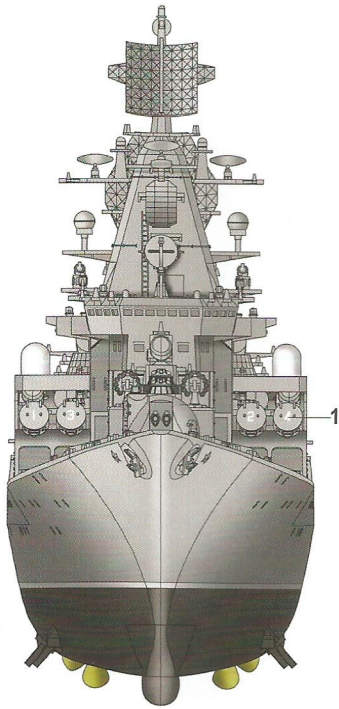






涂装同标贴指示

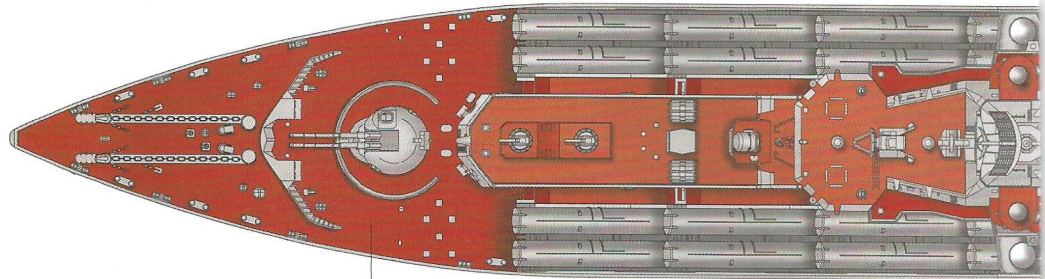
Painting & Marking guide



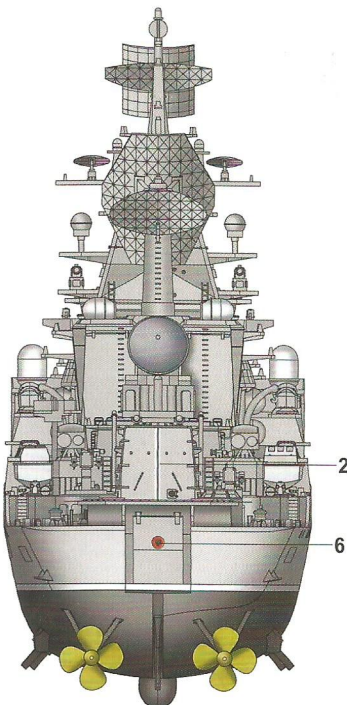
H 61 35

4

H 2 2

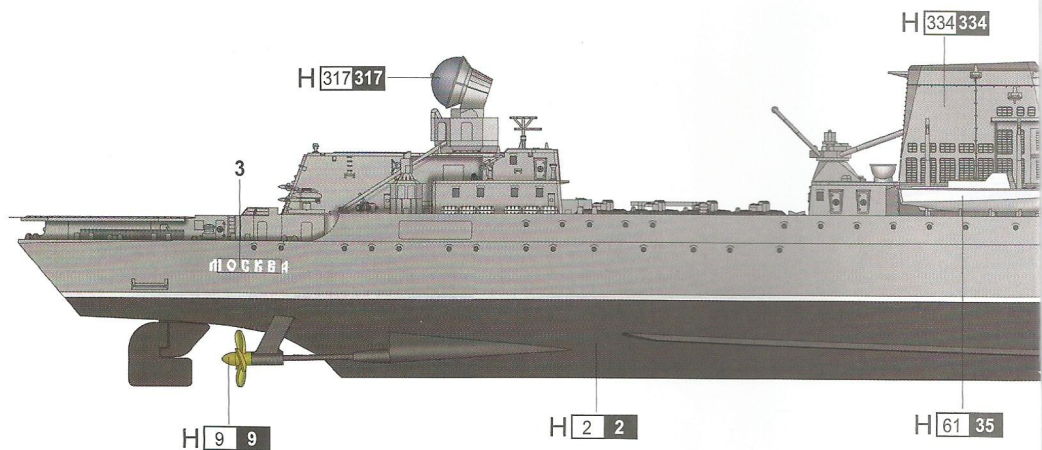


H 327 327



2

6



H 317 317

H 334 334

3

H 9 9

H 2 2

H 61 35

H X GUNZE SANGYO AQVEOUS HOBBY COLOUR

X GUNZE SANGYO MR COLOUR

使用郡仕公司涂料

GUNZE SANGYO Mr. Color used

Gunze	
H 2 2	黑色 Black
H 9 9	金色 Gold
H 61 35	明灰白(1) Ijn Gray
H 317 317	深鸥灰 Dark gull grey
H 327 327	暗红色 Insignia Red
H 334 334	麦灰色 Barley Gray BS4800/18B21

