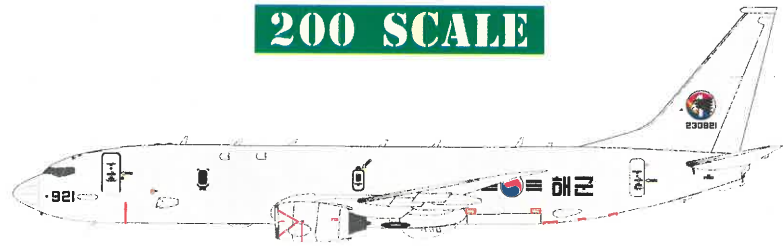


# DRAW Decal Set 20s-737-199 South Korea Navy P-8As

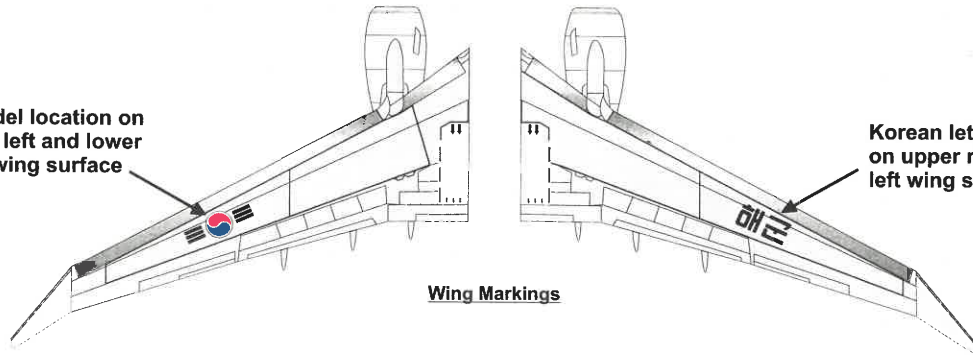
200 SCALE

Recommended Kit:  
1:200 Hasegawa P-8 Poseidon kit



Roundel location on upper left and lower right wing surface

Korean letters location on upper right and lower left wing surface



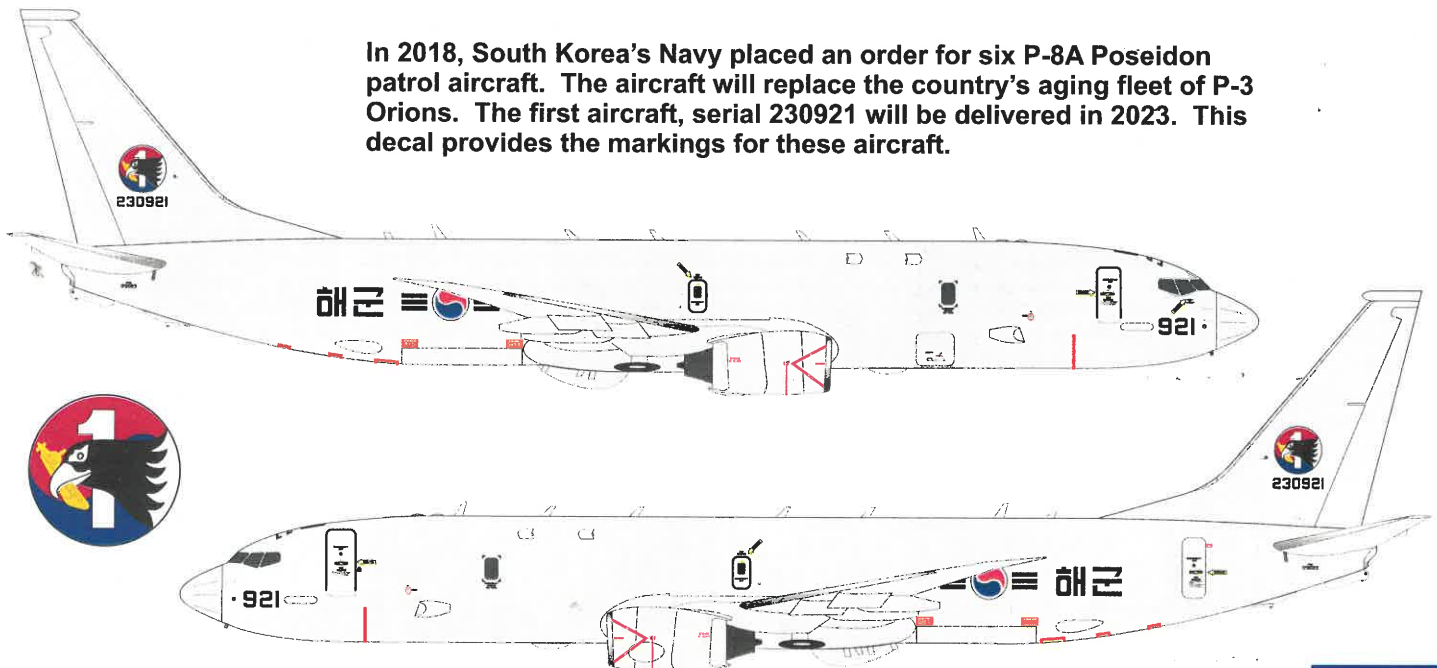
## PLEASE READ THESE INSTRUCTIONS, as these decals may apply a bit differently than you may be used to using.

**Next Generation** DIGITAL Silk decals are extremely durable and do not easily scratch, and are printed on a continuous, clear film. Each design will need to be cut out individually. **Next Generation** DIGITAL Silk decals do not generally need to be clear coated prior to use. Use care when applying as the decal film is **exceptionally** thin. **Next Generation** DIGITAL Silk decals are tough, durable and *exceptionally flexible*. **DO NOT** float the decal off of the backing paper, as it will curl up and likely become unusable. Rather, soak the decal in warm water for about 5 seconds then remove it and allow it to sit for 30 seconds before trying to slide it off of the backing paper. "Normal" decal setting solutions can be used with these decals but will have little effect. For most applications, **NO** decal solvent will be needed. If you feel the need, we recommend using Microscale's Micro Set (a wetting agent) and Micro Sol (a SOLvent), but note the decal solvents only effect the clear film and have **LITTLE** effect on the inks. Brush the Micro Set directly on your model before sliding the decal into position. Only slide a small portion of the decal off of the backing paper, place the decal into position then pull out the backing paper allowing the decal to land in place. After you adjust the decal into position and soak up the excess liquid, apply a thin coat of Micro Sol (the **solvent**) to soften the clear carrier. It is important to get the Micro Sol **under** the decal, as the solvent has little effect on the ink, but it will dissolve the clear carrier which allows the decal to dig into the paint. After this coat dries and you are certain the decal is in its final position, apply a second heavier coat of Micro Sol. Note repeated applications of decal solvent will only wash away the glue. After the decals are **completely** dry, clear coating your model after applying these (or any) decals is a **must!** I repeat this is a **must**. The clear coat will seal your decal and prevent it from becoming damaged. Airbrush lacquers only in very light, misting coats. Another method to clear coat the decal is to use Future acrylic floor polish. Good luck and thank you for using **Next Generation** DIGITAL Silk decals!

# DRAW Decal Set 20s-737-199 South Korea Navy P-8As

"Civil Decals for the Civilized"

In 2018, South Korea's Navy placed an order for six P-8A Poseidon patrol aircraft. The aircraft will replace the country's aging fleet of P-3 Orions. The first aircraft, serial 230921 will be delivered in 2023. This decal provides the markings for these aircraft.



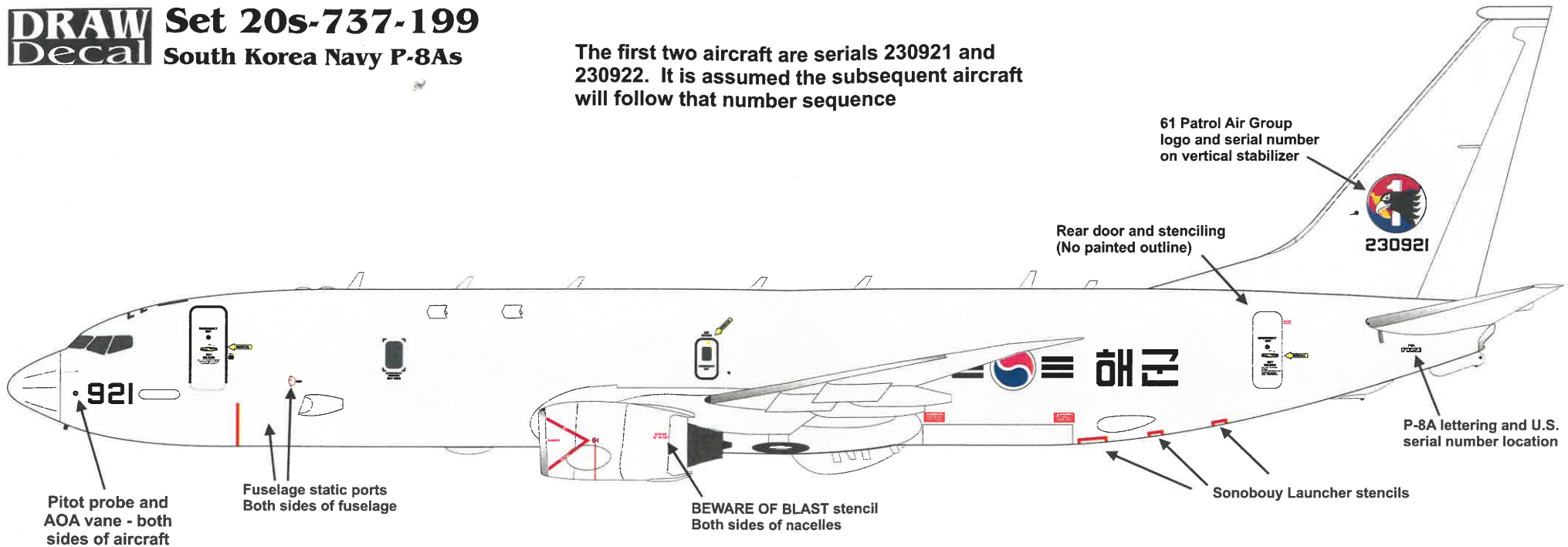
200 SCALE

COPYRIGHT © 2023 DRAWDecal.com

ARTWORK  
By  
MIKEEGAN

DIGITAL  
Silk  
Next Generation

The first two aircraft are serials 230921 and 230922. It is assumed the subsequent aircraft will follow that number sequence



The P-8A is based on the 737-800 airliner airframe. In addition to the mission-specific internal modifications, there are numerous exterior changes to the -800 aircraft. These include raked wingtips, rear fuselage tail stinger, rear fuselage weapons bay, forward fuselage and wing weapons pylons, large forward fuselage observation windows, single overwing escape hatches, aerial refueling receiver, and an array of antennas and fairings on various parts of the fuselage and engine nacelles. The overall aircraft (fuselage, wings, nacelles and tail) is painted Boeing 707 Gloss Gray (two close matches are FS 16515 Voodoo Gray or FS 36495 Light Gray - with a gloss coat applied). Wing, horizontal and vertical stabilizer and engine nacelle leading edges are bare metal. Markings are applied as illustrated. Check photo references for specific details when building your model.

