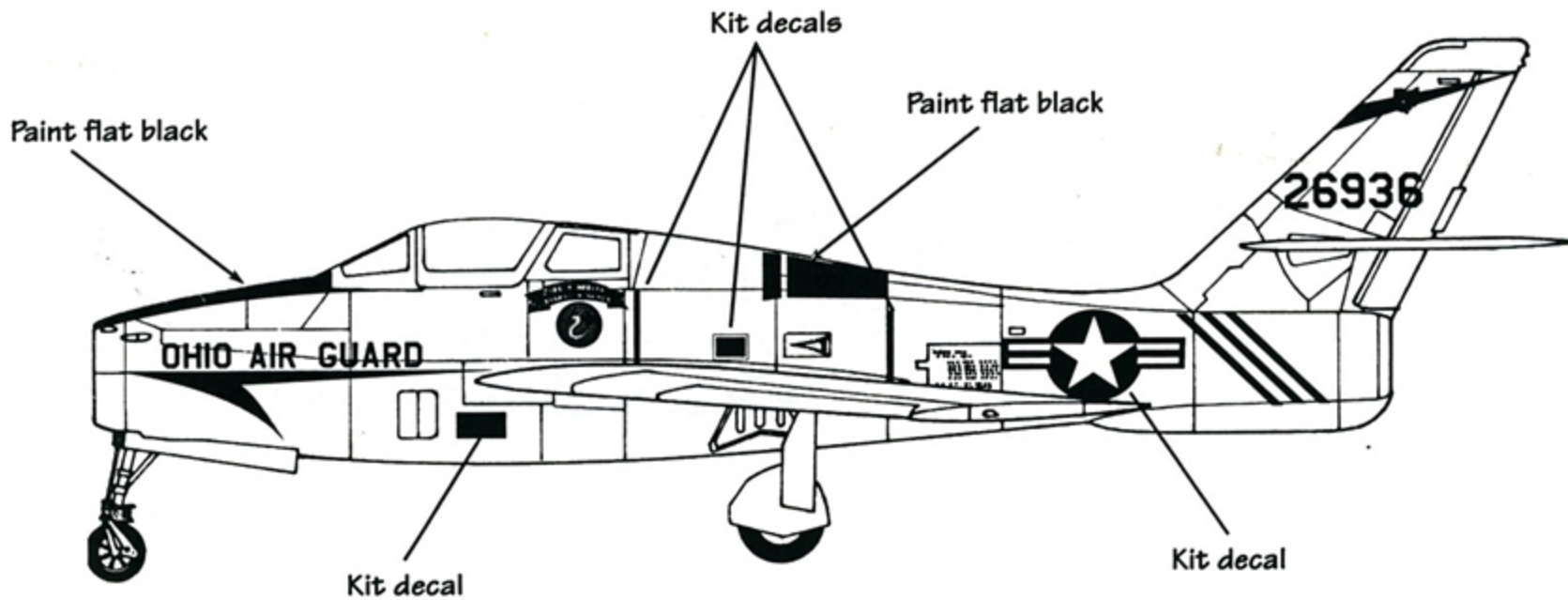


Ohio Air Guard F-84F, circa 1959

1/48th Monogram and 1/72nd scale Italeri kits.

Natural metal overall (Alclad shade "O")

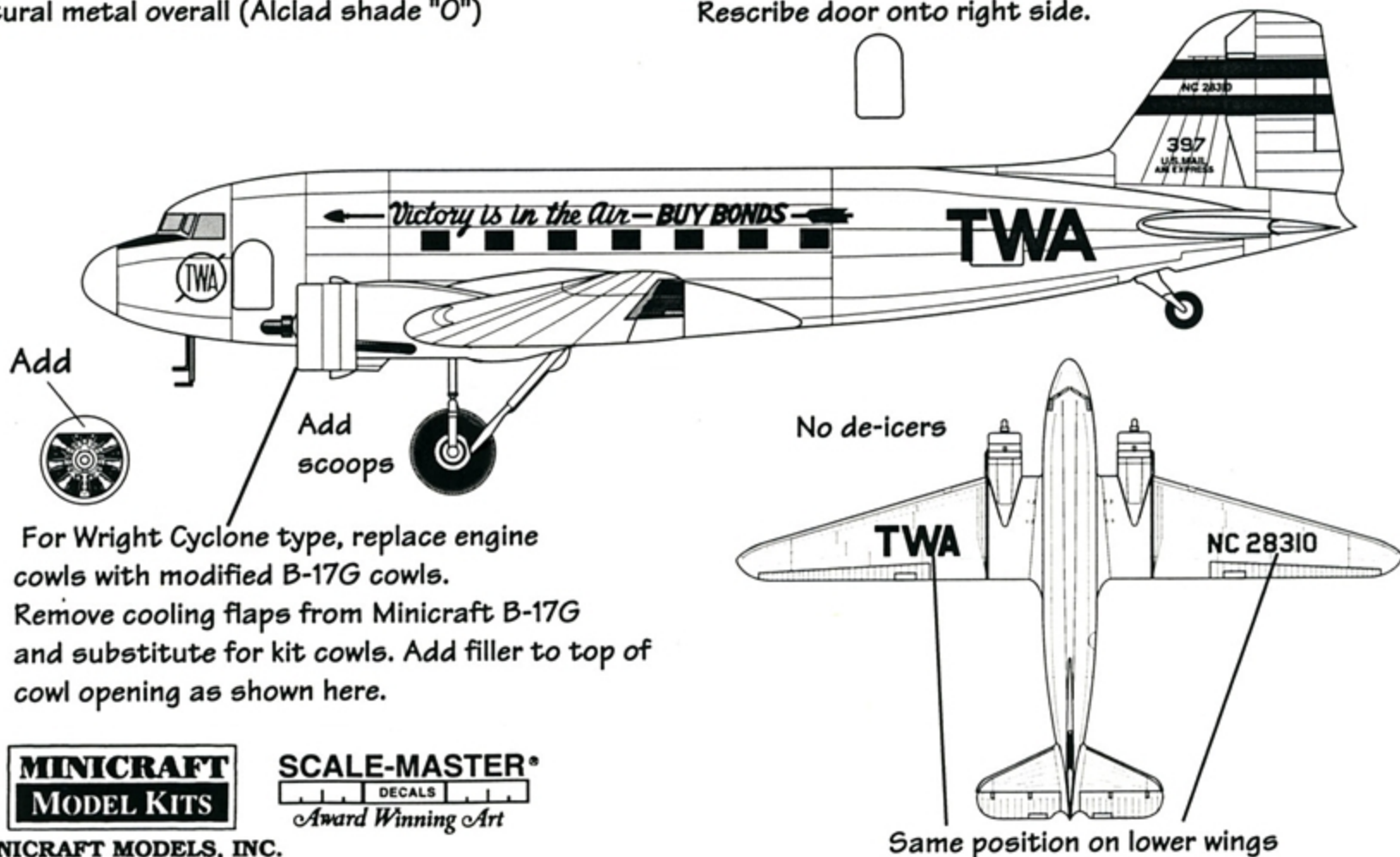


U.S. National insignia is in standard position on wings. Use kit decals.

TWA DC-3, May, 1942. 1/144th scale Minicraft DC-3 #4434

Natural metal overall (Alclad shade "O")

Rescribe door onto right side.



For Wright Cyclone type, replace engine cowl with modified B-17G cowl. Remove cooling flaps from Minicraft B-17G and substitute for kit cowl. Add filler to top of cowl opening as shown here.

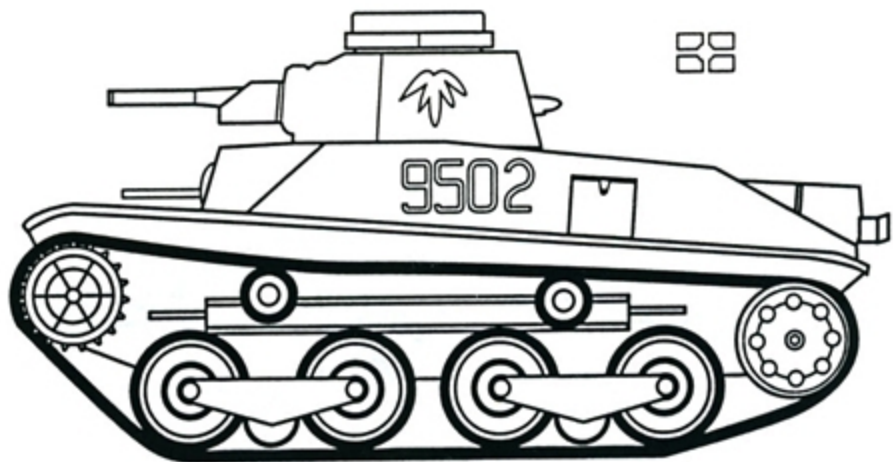
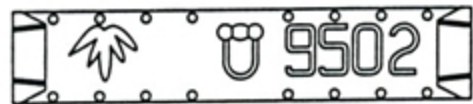
**MINICRAFT
MODEL KITS**

SCALE-MASTER®
DECALS
Award Winning Art

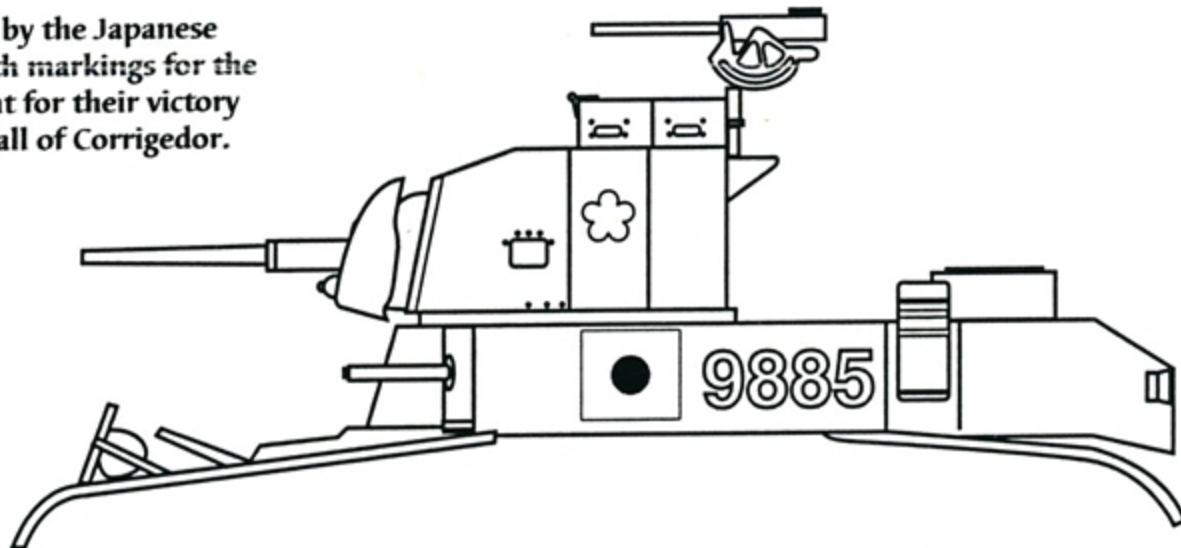
MINICRAFT MODELS, INC.

Same position on lower wings

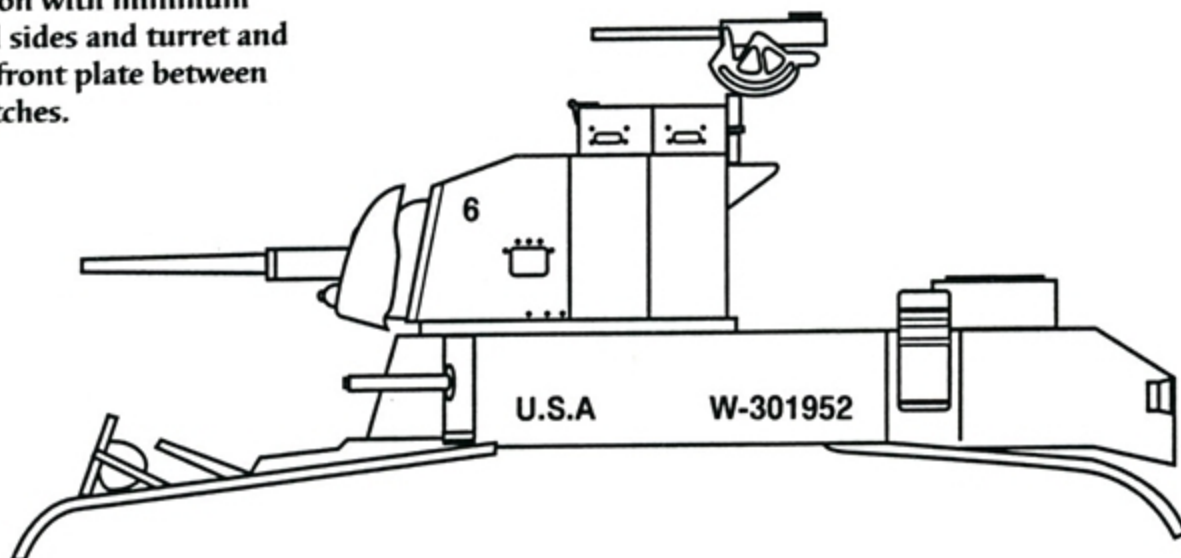
Japanese Type 95 Ha-go light tank of the 2nd Company, 7th Tank Regiment. Company insignia of bamboo leaf (2nd), cherry blossom (3rd), star and rising sun were hand applied to turret and front glacis plate.



U.S. M3 captured by the Japanese and repainted with markings for the 7th Tank Regiment for their victory parade after the fall of Corrigedor.

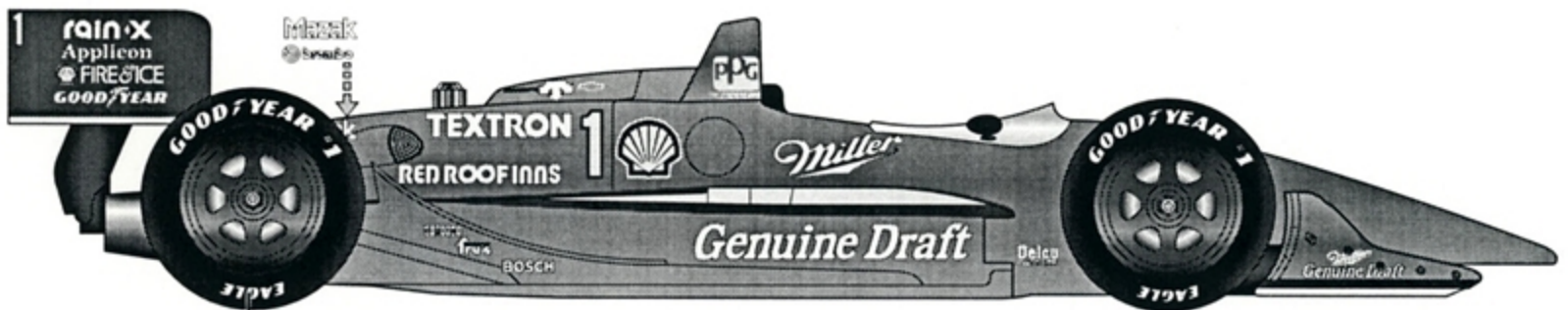


U.S. M3 conception with minimum markings on hull sides and turret and star/roundel on front plate between driver's front hatches.



Rahal Miller Genuine Draft Indy Car 1/20th scale Tamiya Newman Haas K Mart Texaco Lola T93/00 Ford Kit # 20040

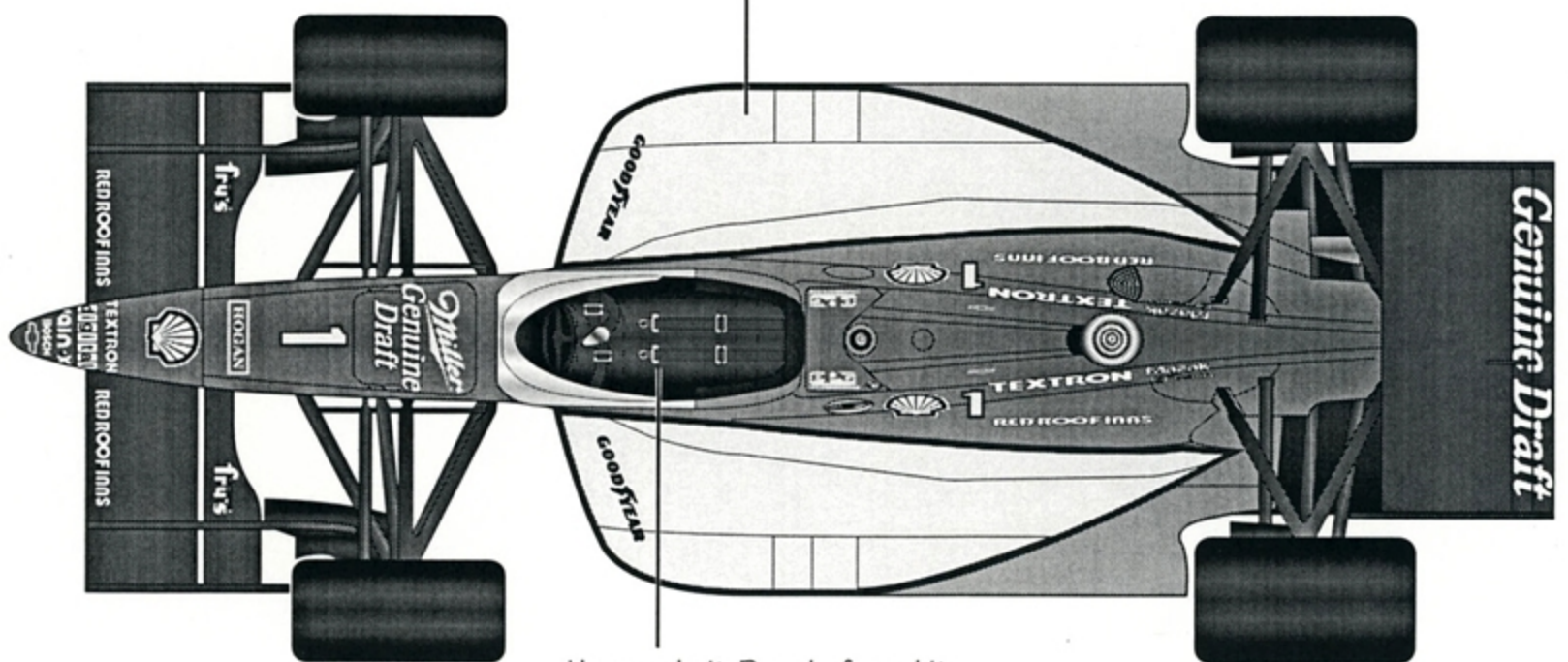
Body is Gloss Black except for the tops of the side pods which are Yellow. The Red stripe between the Black and Yellow is included on the Decal sheet. This model is a "phantom" version and does not actually exist. It was only designed to be a look-alike, not a true scale replica.



Use tire Decals from kit.



Paint Yellow



Use cockpit Decals from kit.