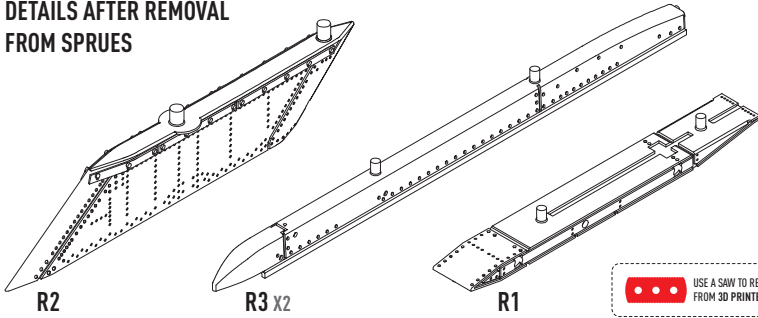
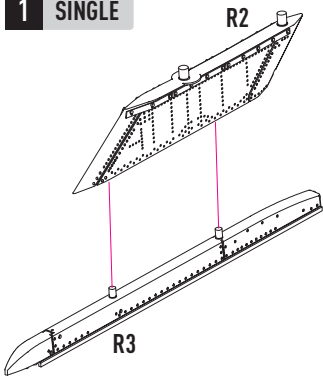


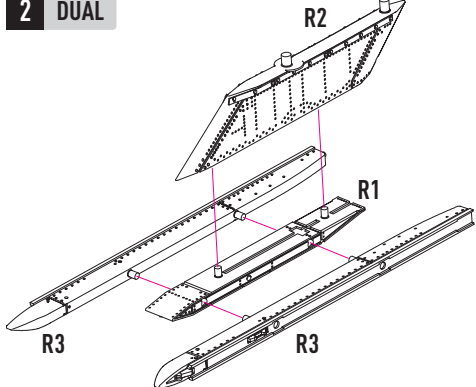
DETAILS AFTER REMOVAL FROM SPRUES



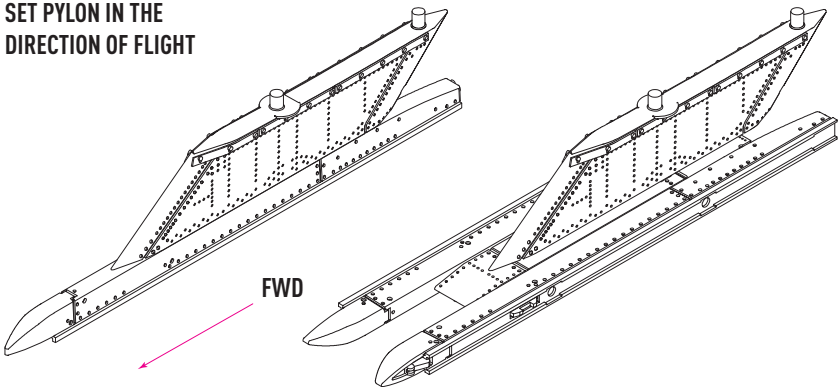
1 SINGLE



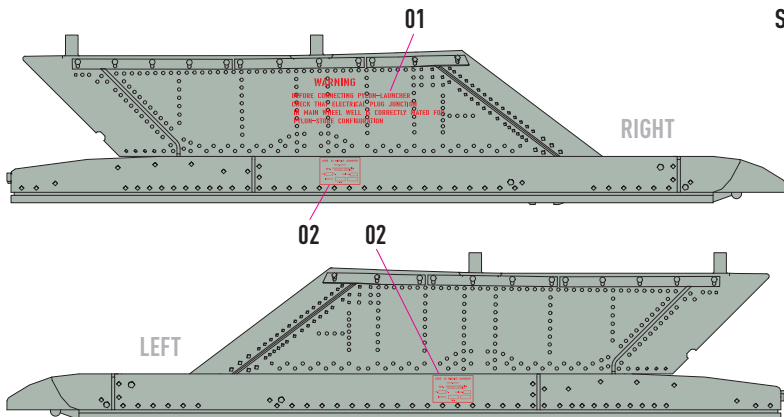
2 DUAL



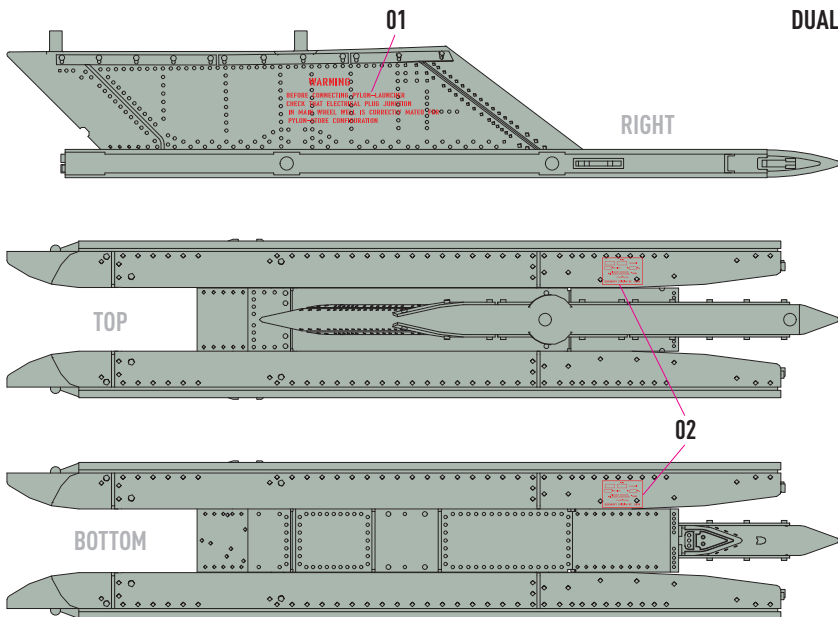
SET PYLON IN THE DIRECTION OF FLIGHT



SINGLE



DUAL



PAINT PYLON IN THE COLOR OF THE AIRCRAFT