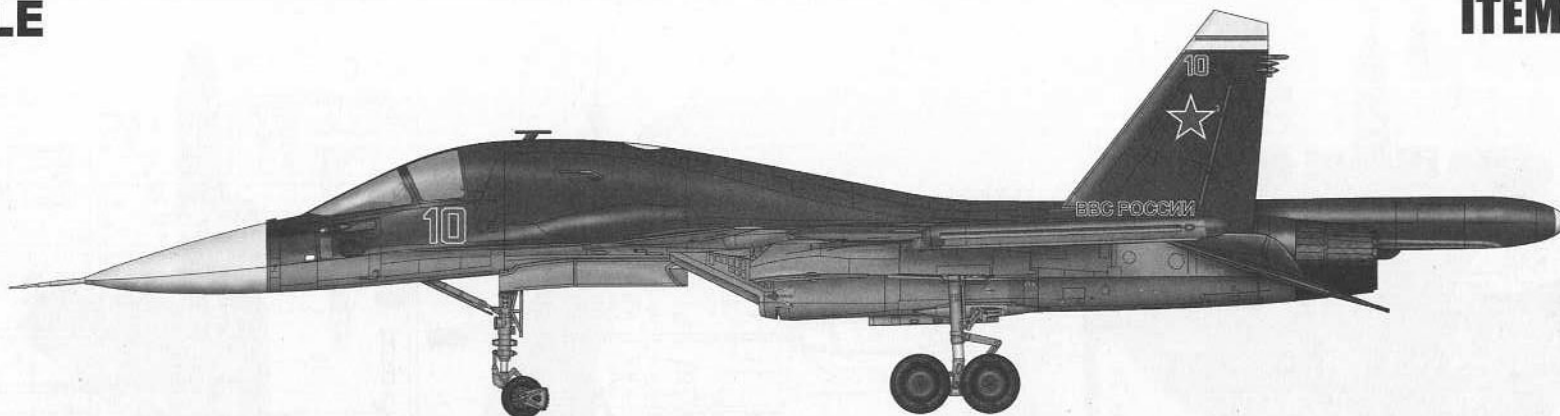


1/72 SCALE

ITEM NO.:01652



# Russian Su-34 Fullback Fighter-Bomber

## 俄罗斯SU-34“鸭嘴兽”战斗轰炸机

### READ BEFORE ASSEMBLY:

- This kit is not recommended for inexperienced modelers or for children under 14 years of age
- Study and understand these instructions thoroughly before beginning assembly
- When needed, remove photo-etch parts carefully using a modeling knife or photo etch sprue cutter, being careful not to damage or lose small parts.
- Take extra care in handling photo etch parts in order to avoid injury
- Apply instant cement sparingly to photo etch parts where instructed

- Tools recommended(not included in kit):Plastic and instant cements,sprue cutters,long nose pliers,modeling knife, small files, tweezers, pin vise & scissors. Soft cloth and sandpaper will also assist in construction
- Glue and paint are not included in the kit. Use plastic cement and hobby paints only. Color guide for purchasing paint is included in the kit.
- Keep out of reach of children. They must not be allowed to ingest small parts or handle plastic bags in any way.

### 装配之前仔细阅读

- 小心用模型锉刀锉平所有零件表面的注射浇口。
- 小心用刀片切下蚀刻片零件，不要遗失小零件。
- 用强力快干胶水粘合蚀刻片零件和金属轴。过量的快干胶水使用可能导致可动零件会粘住，小心涂胶。
- 取蚀刻片时应特别注意安全，防止利边划伤手指。
- 某些零件表面需贴水上贴纸，请选择在装配的同时进行。
- 推荐模型工具(自备)：胶水，水口剪刀，长咀钳，刀片，锉刀，镊子钳，钻，剪刀，瞬间快干胶。
- 软布同砂纸同时也应该是必备工具。
- 请使用塑料胶水和油漆，模型内不含。
- 谨防小孩吸吮塑料零件，或者将塑料袋套在头上，制作时应将套材远离小孩接触。
- 本产品不适合14岁以下没有经验的模型爱好者。

### 水贴纸的使用:

1. 从水贴纸上剪下印花;
2. 将印花放入温水中浸10秒，然后放在干净布上。
3. 拿着印花纸板将印花移到模型上;
4. 手指蘸水将印花移到适当的位置;
5. 用软布轻压印花直至水干，气泡消失。

### DECAL APPLICATION:

1. Cut decals from sheet as needed
2. Dip the decal in warm water for about 10 seconds and then place on soft clean cloth.
3. Hold the decal backing sheet edge and gently slide the decal onto the model in its proper position.

4. While still wet,decal can be adjusted for better fit on model by dampening it gently with your finger.
5. When placed in the proper position,gently press decal down with a soft cloth until excess water and air bubbles are gone.
6. Allow decal to dry completely before handling model



使用强力胶  
Cyanoacrylate glue



配重  
Weight



钻孔  
Make hole



切除  
Cut / Remove



先装  
Install it first



贴纸  
Decal



锉平  
File / Sand



选择  
Option



不涂胶水  
No cement



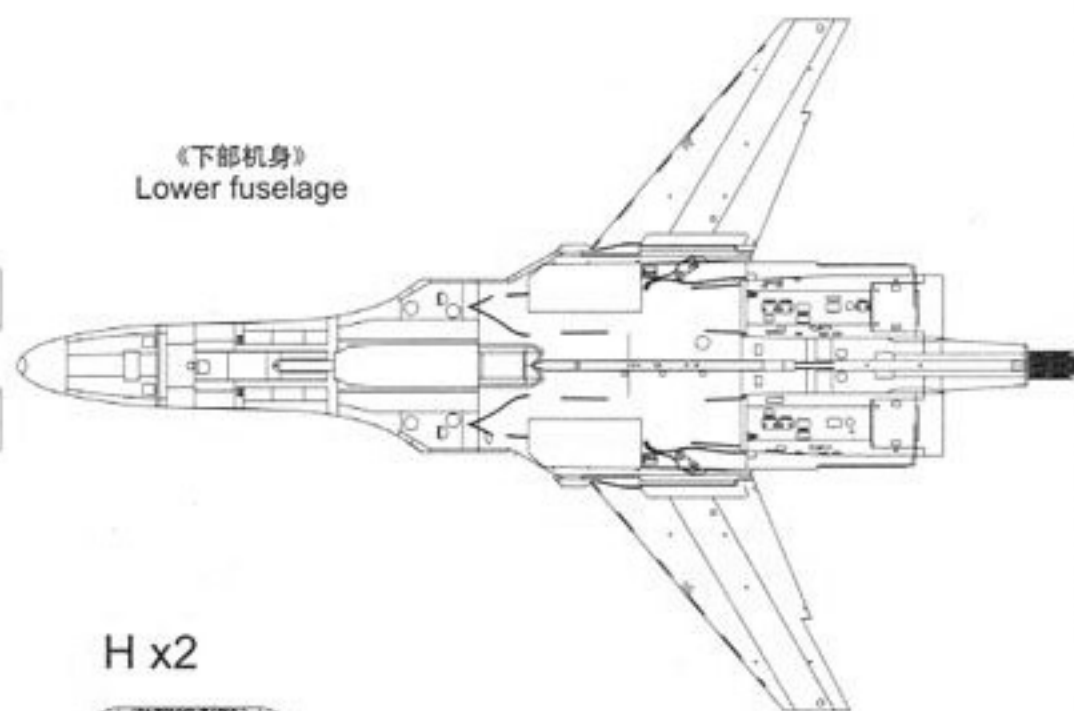
弯曲  
Bend

部品图  
Parts

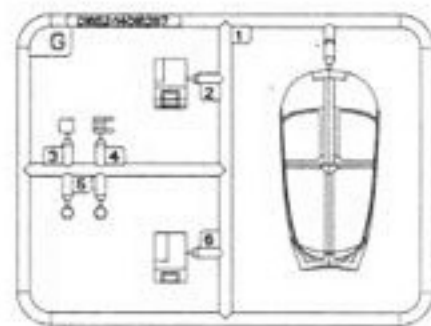
《上部机身》  
Top fuselage



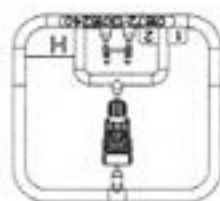
《下部机身》  
Lower fuselage



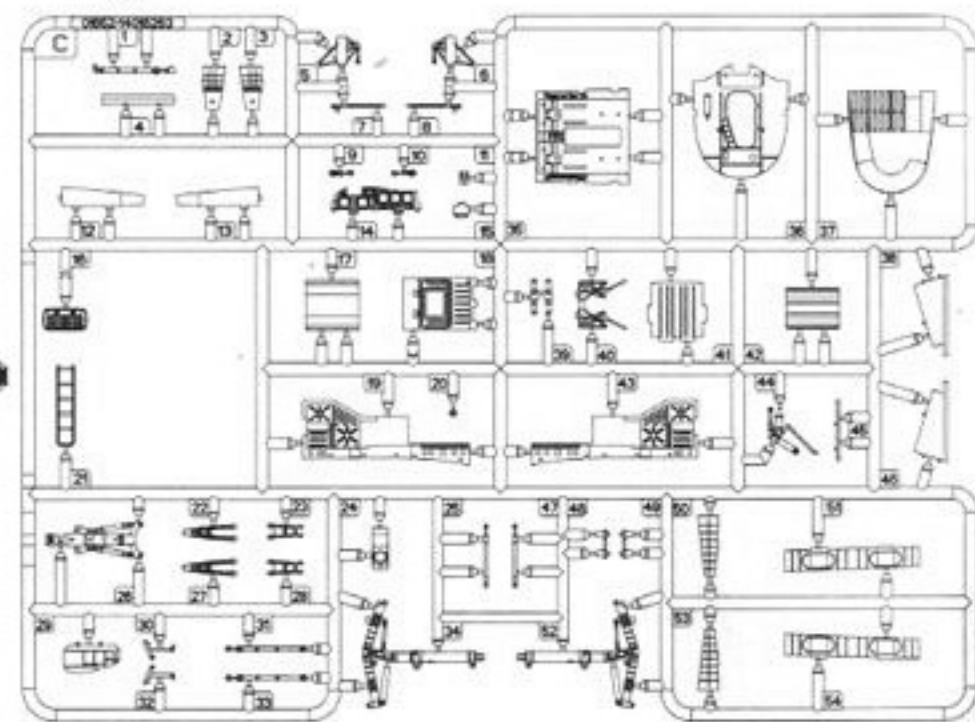
G



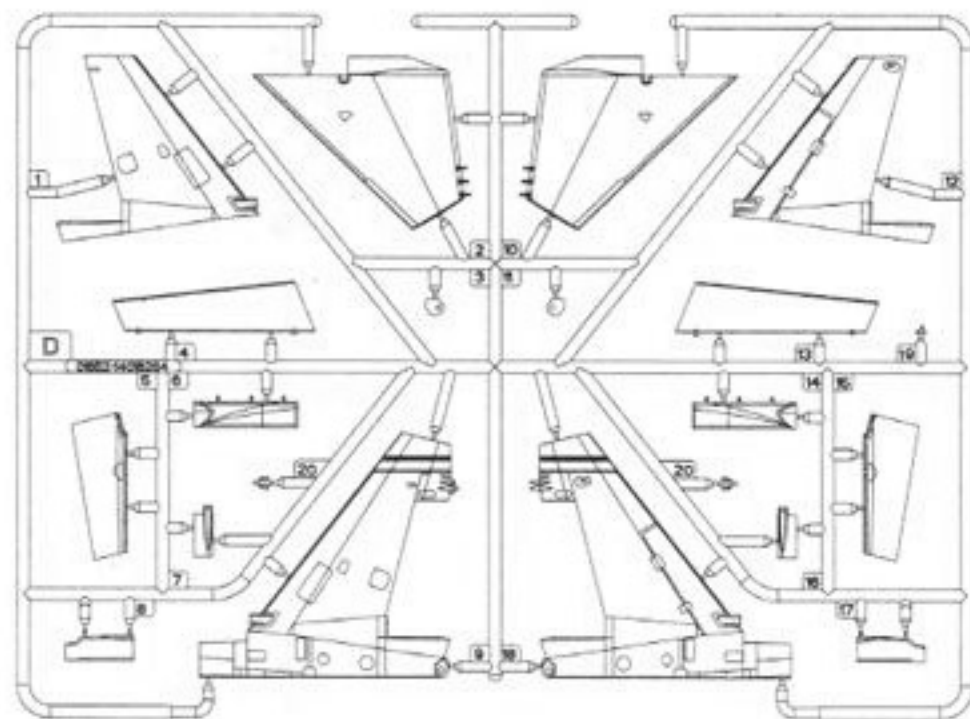
H x2



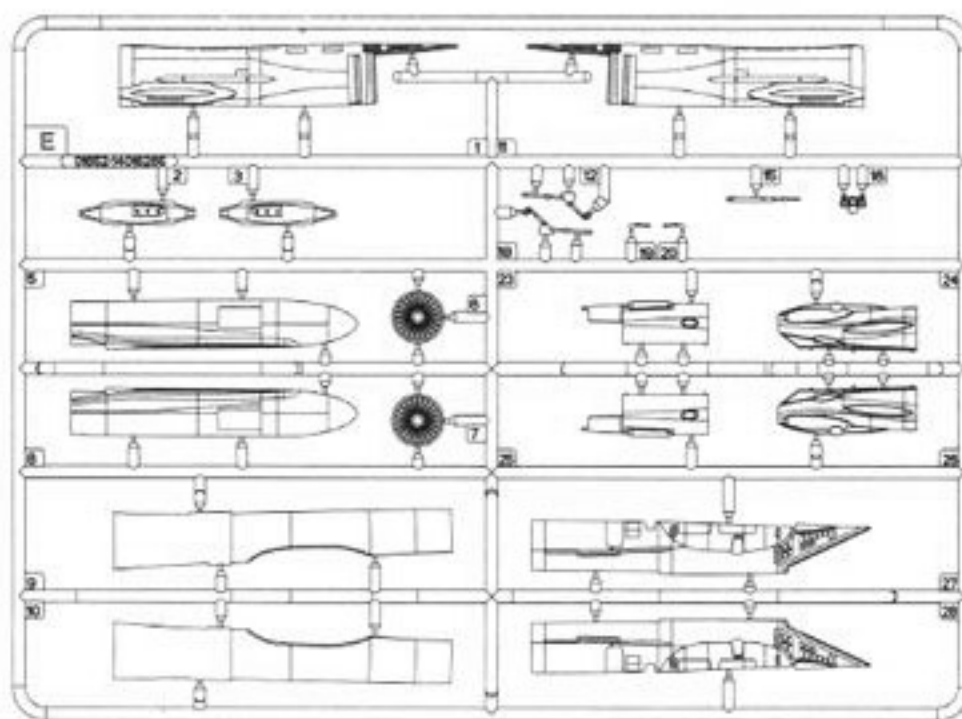
C



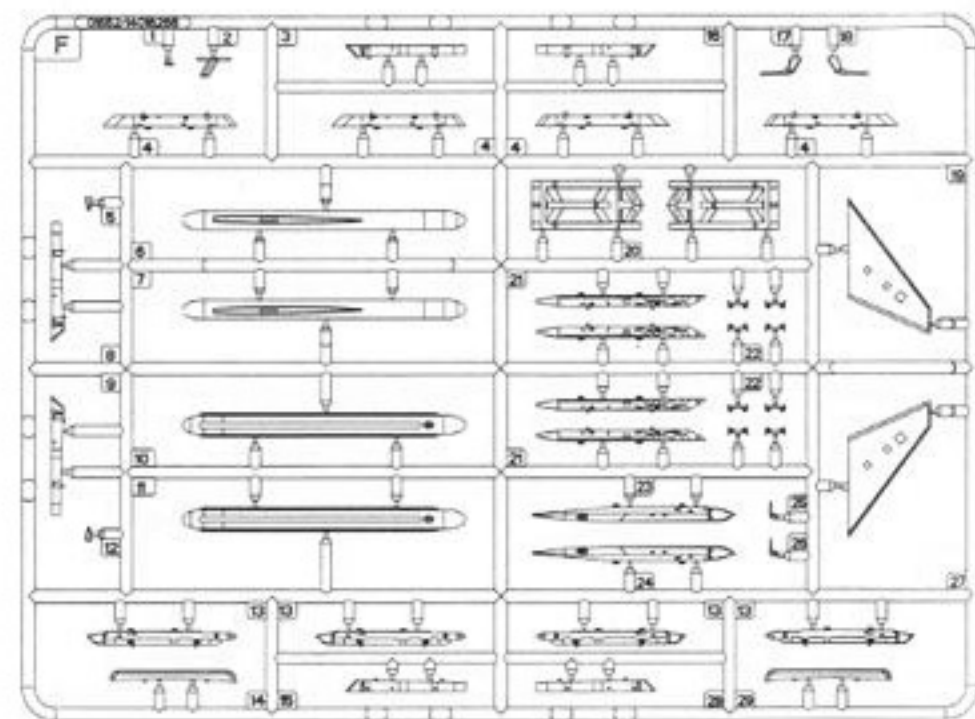
D



E



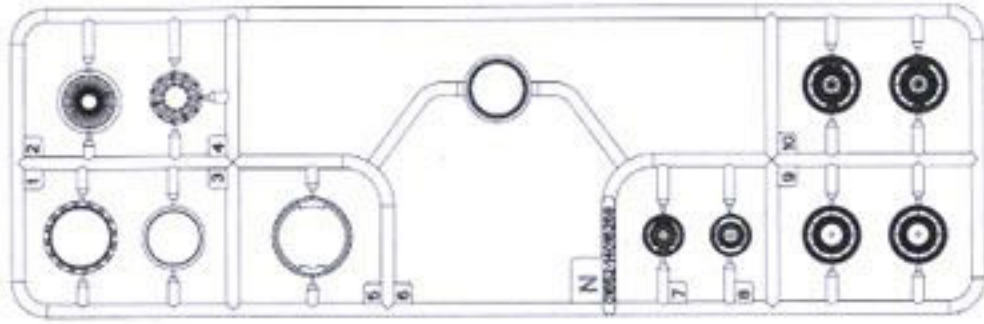
F



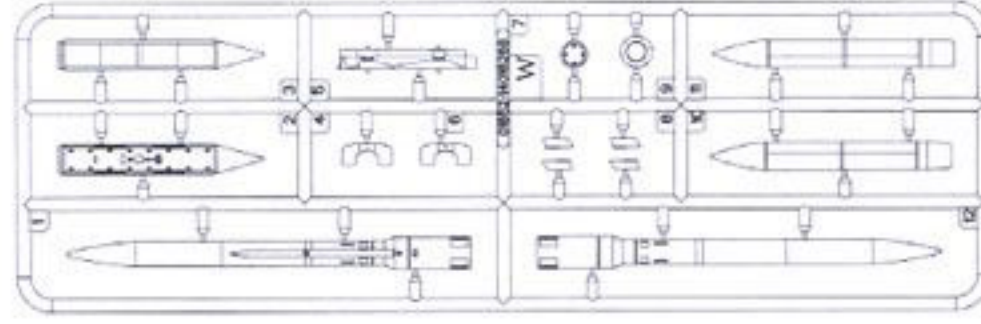


部品图 Parts

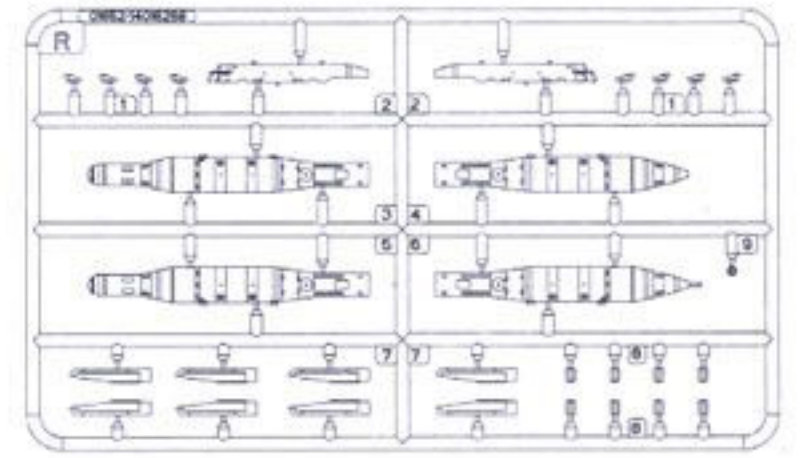
N x2



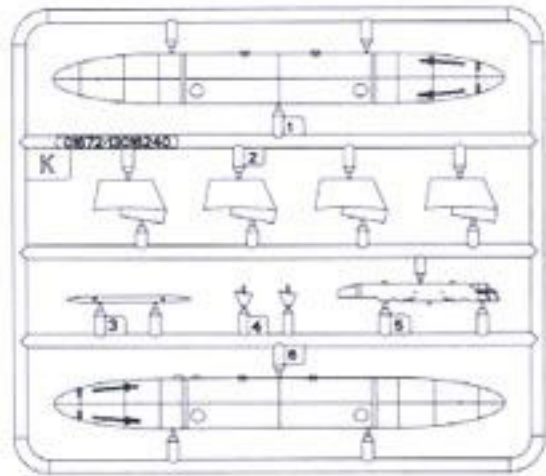
W x2



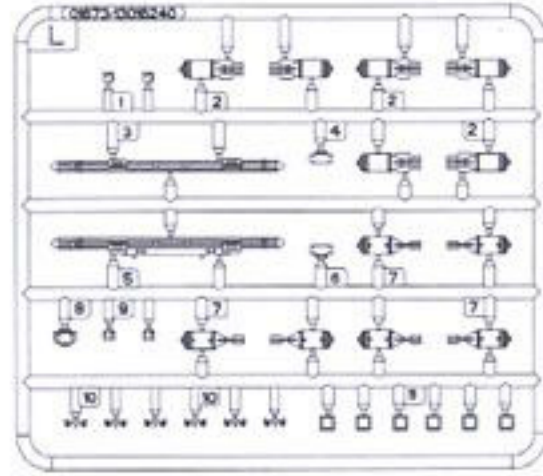
R x2



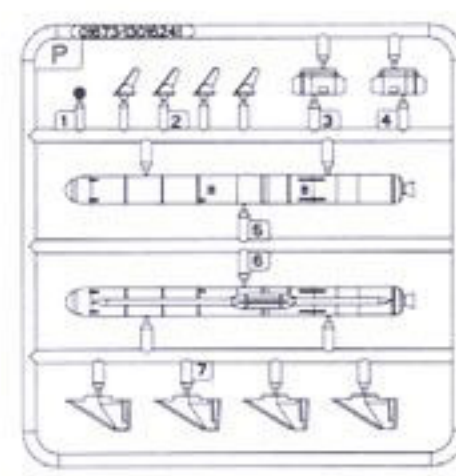
K x2



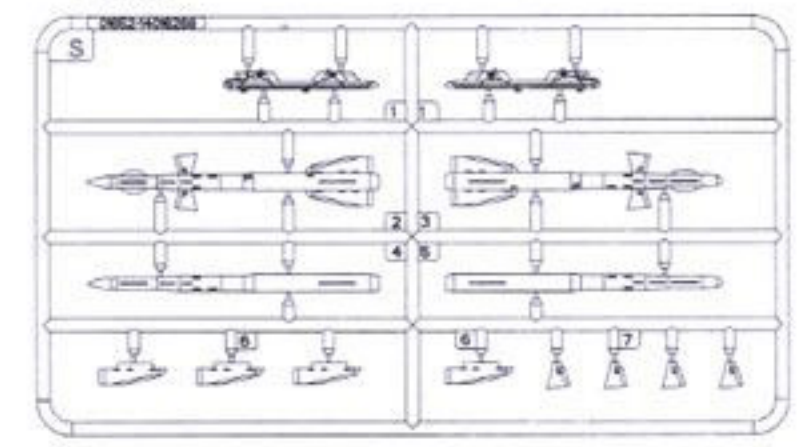
L x2



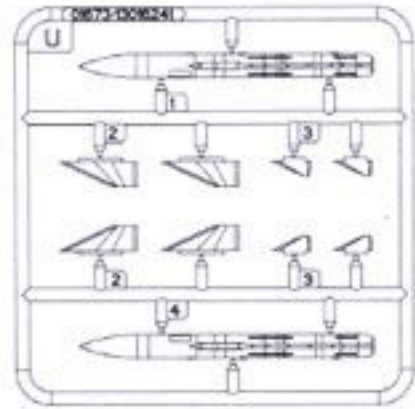
P x2



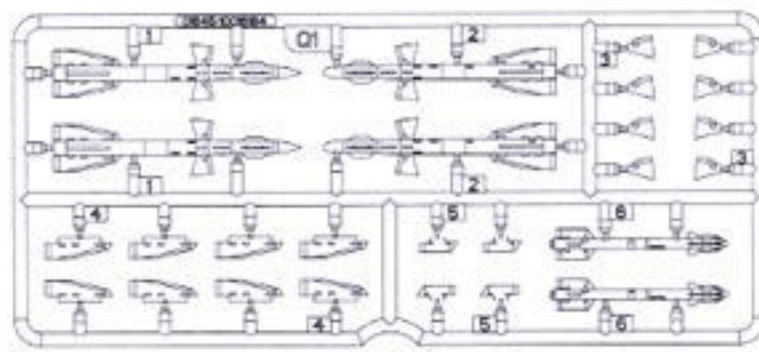
S x2



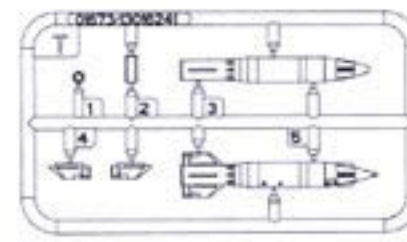
U x2



Q1 x2



T x2



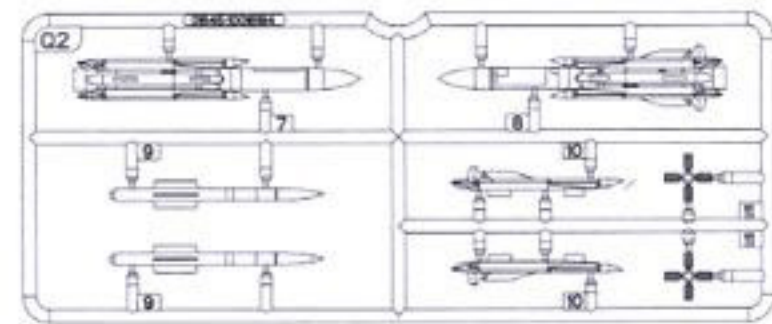
《水贴纸》A  
Decal A



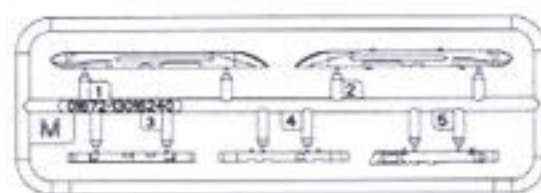
《水贴纸》B  
Decal B



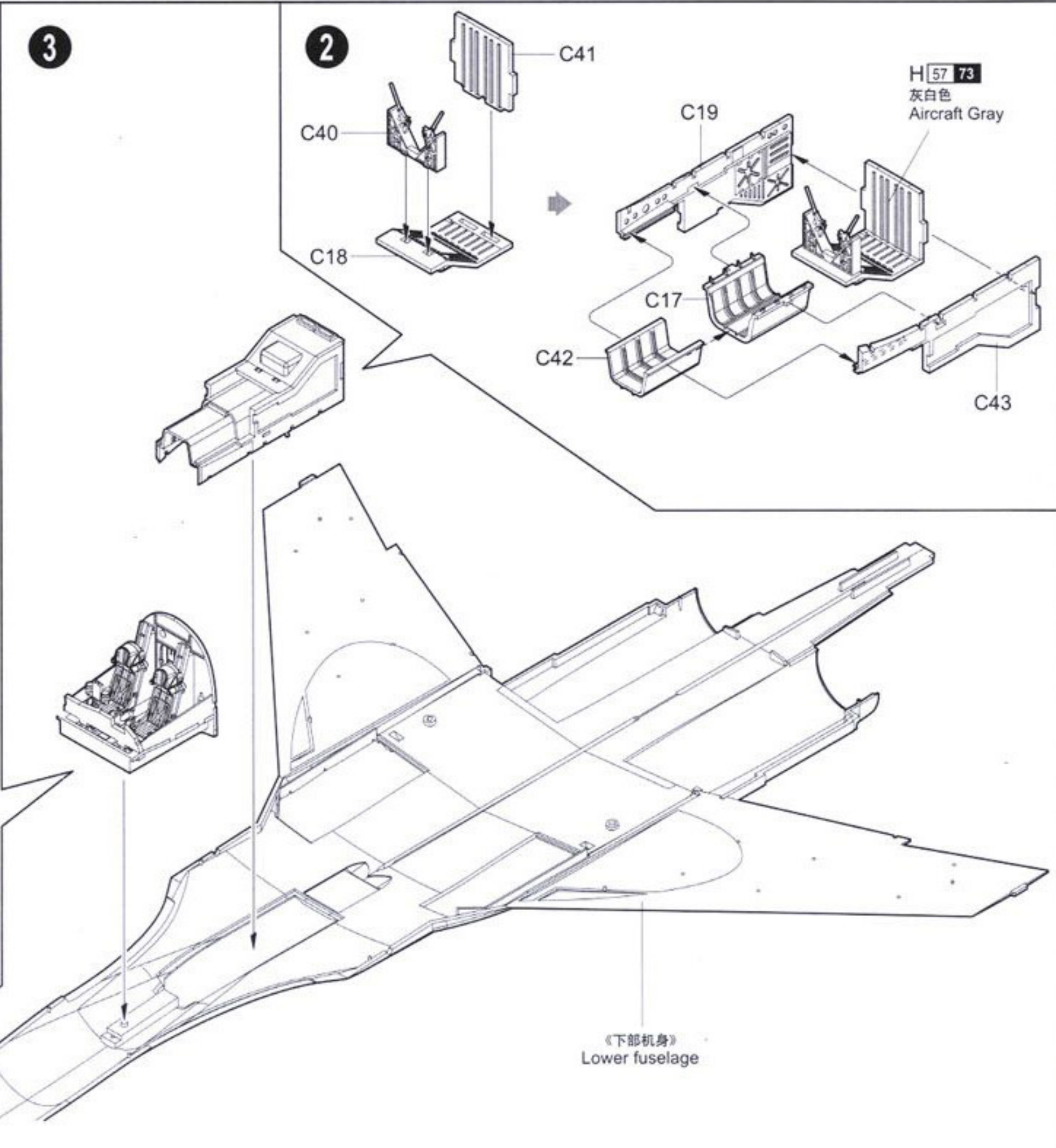
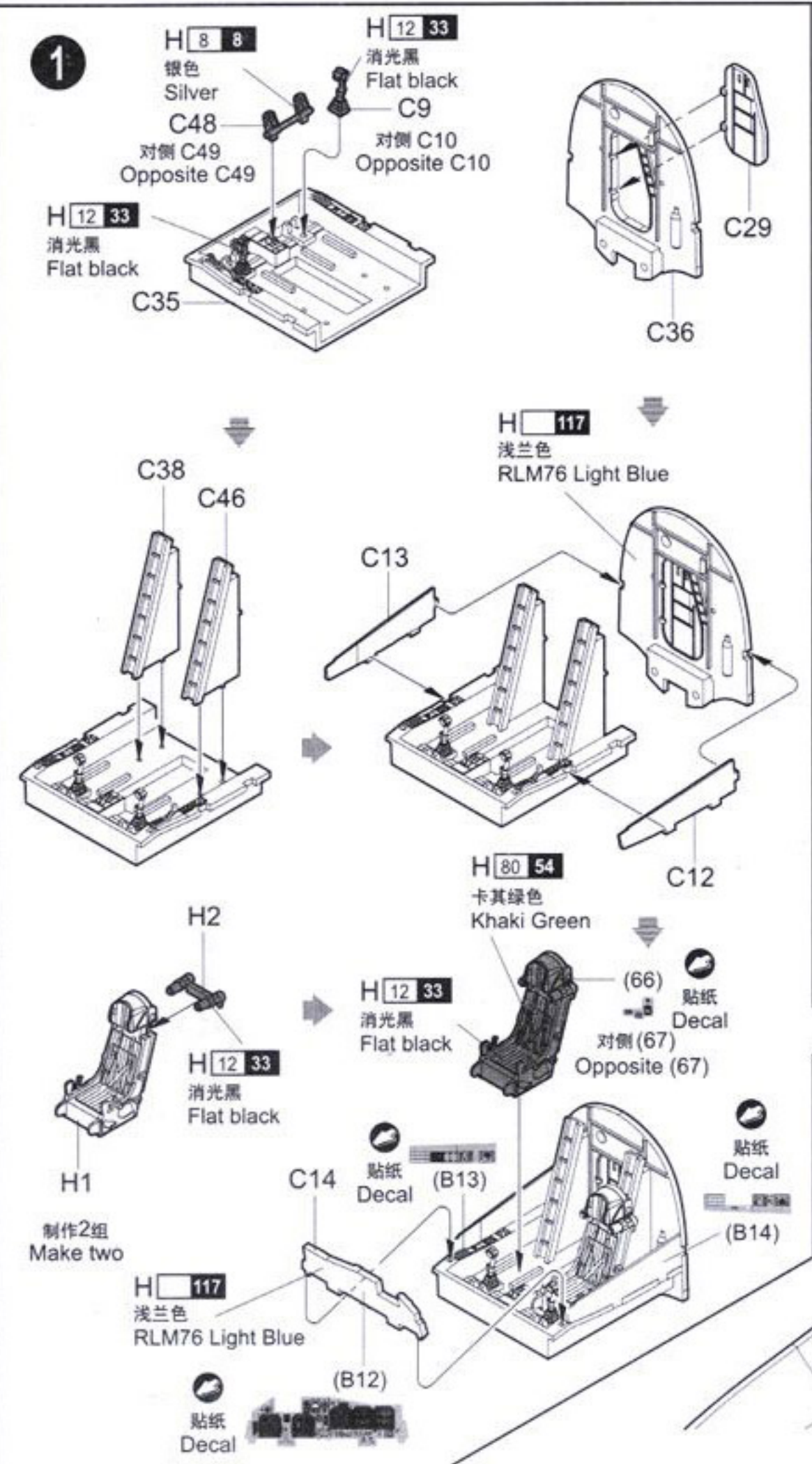
Q2 x2



M x4

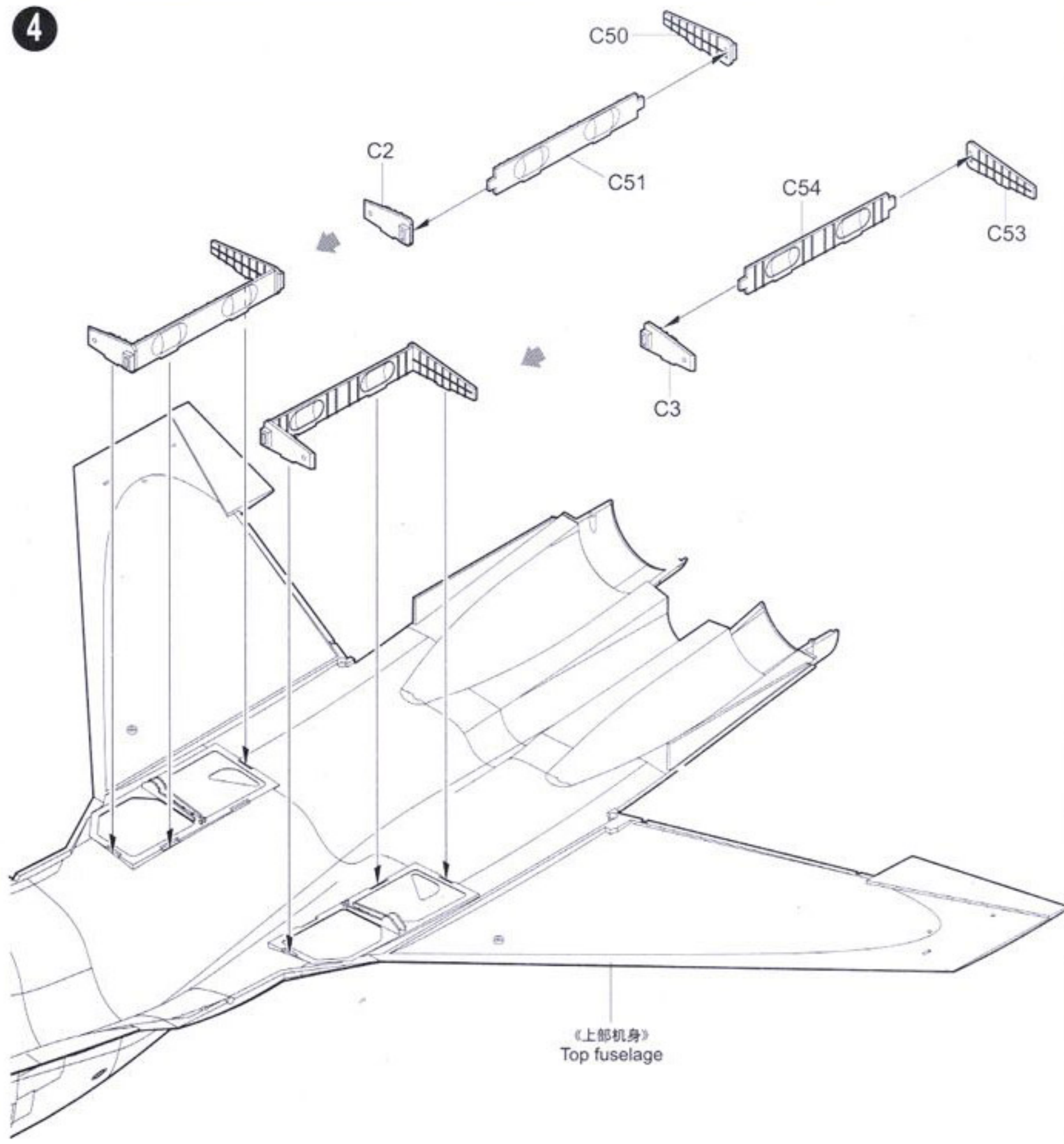




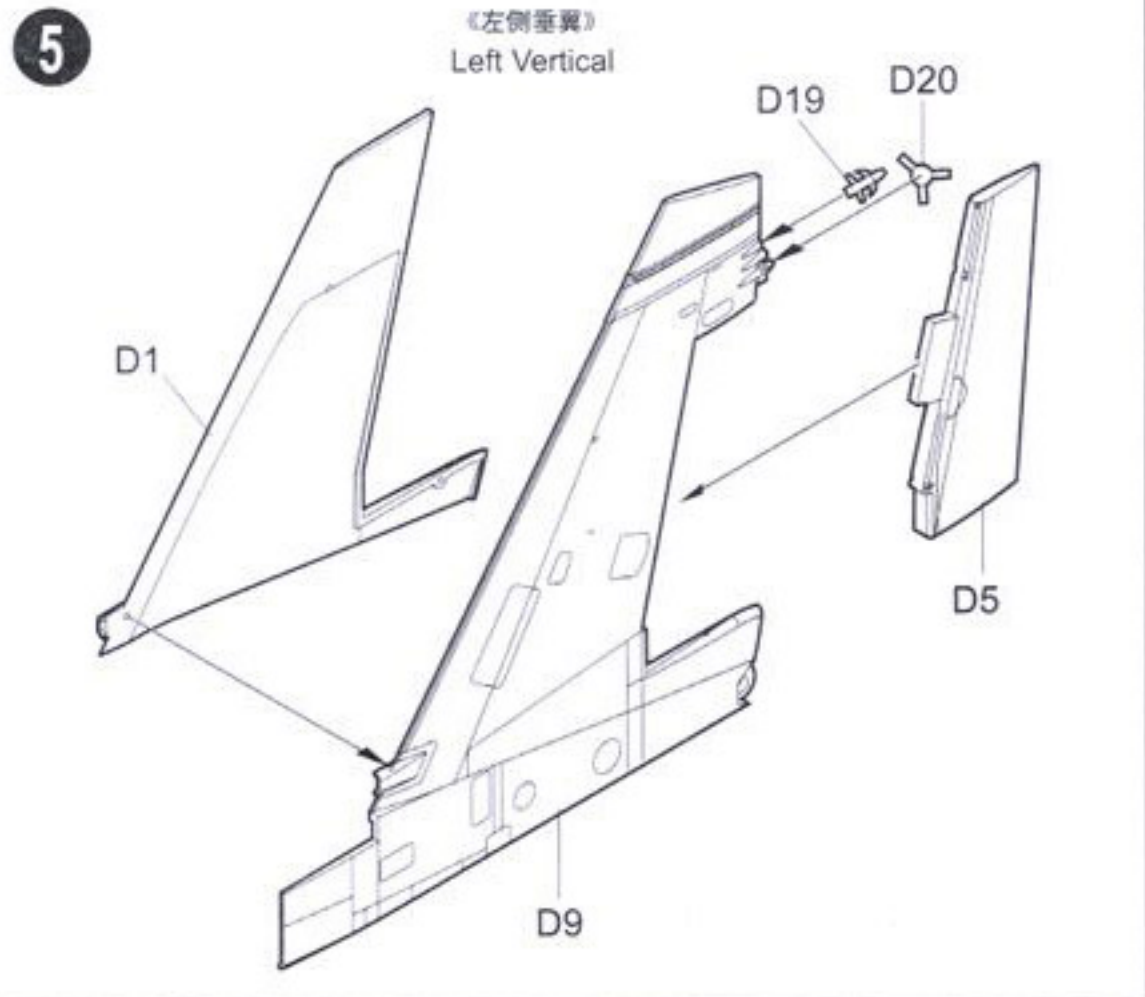




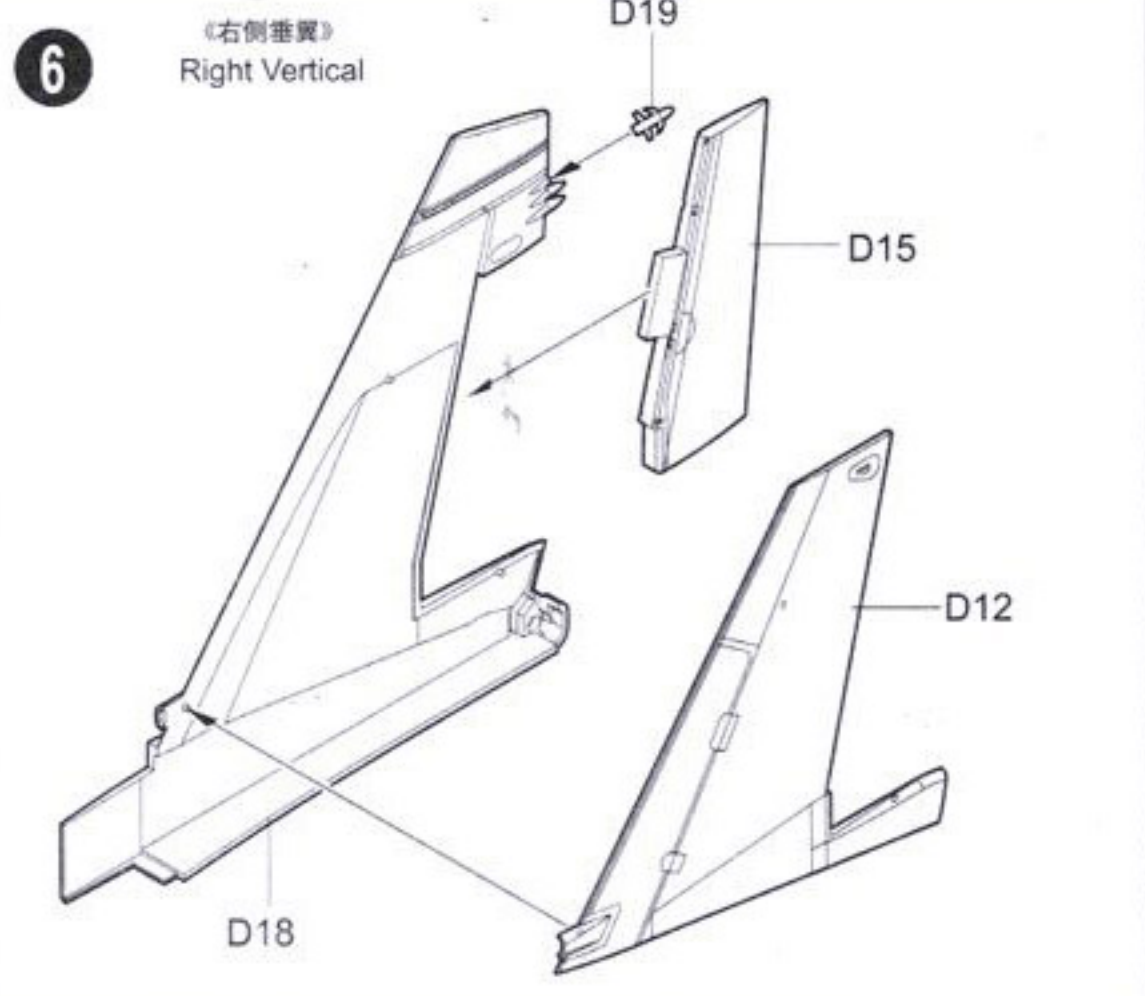
4



5

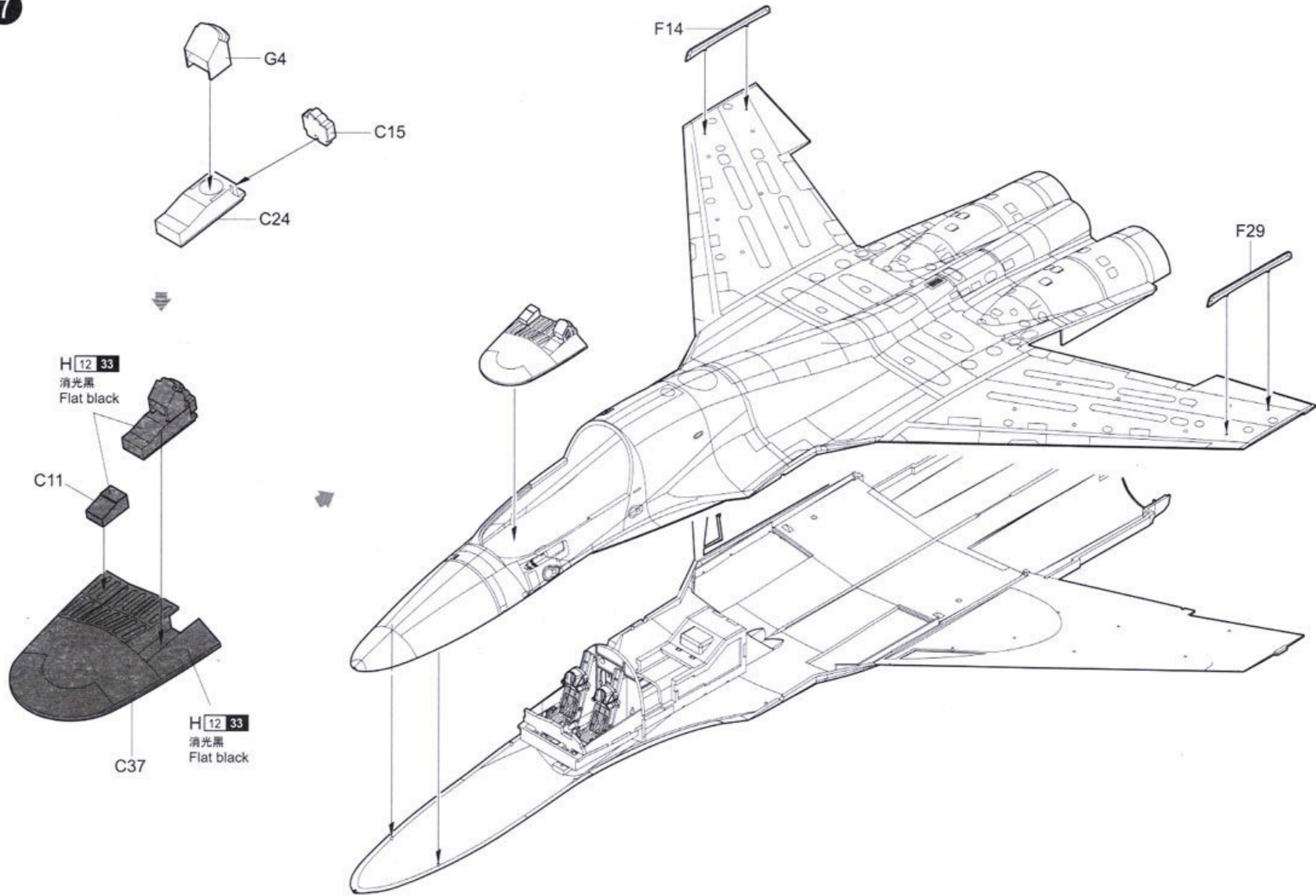


6

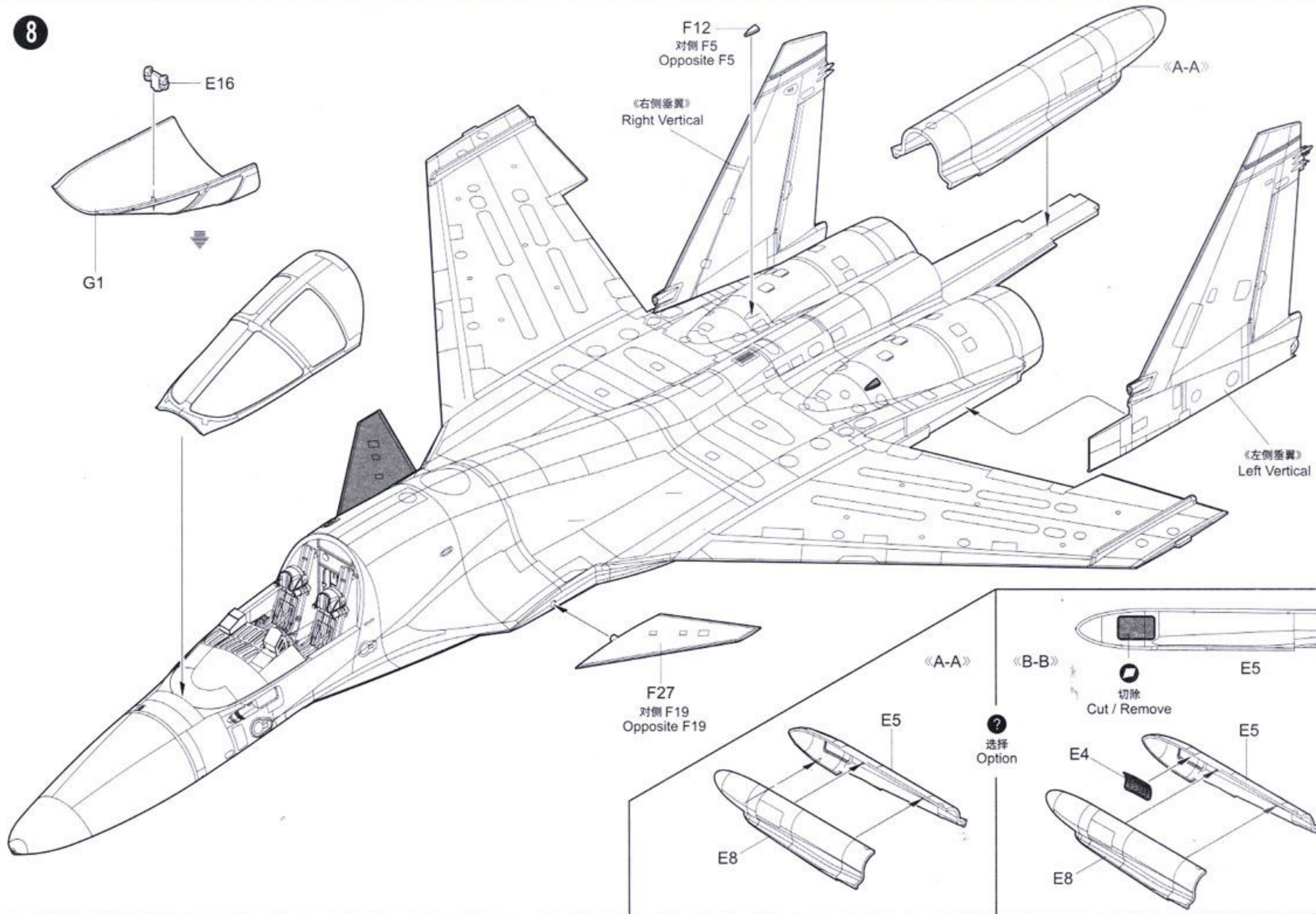




7



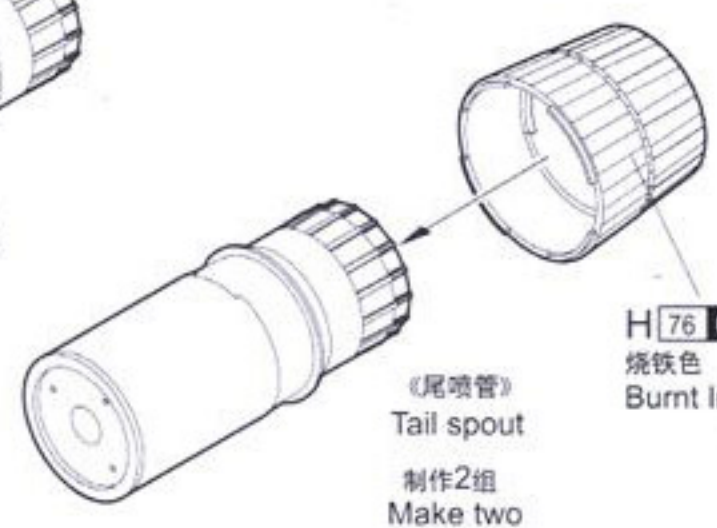
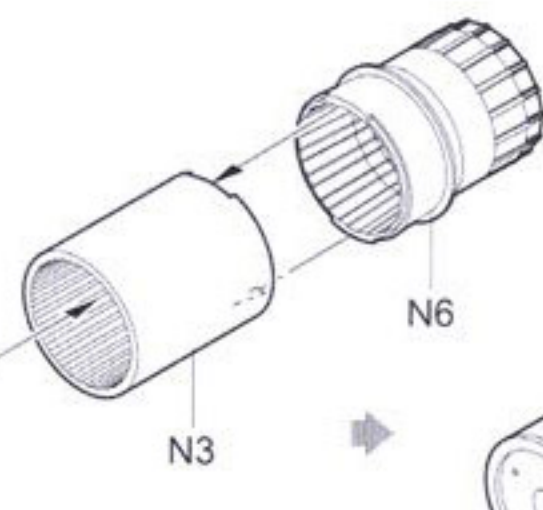
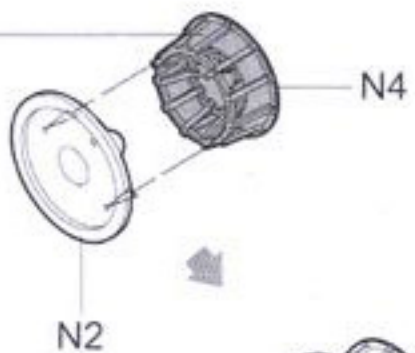






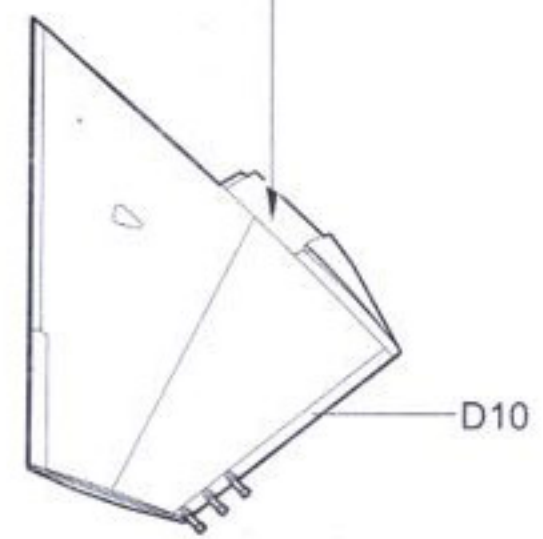
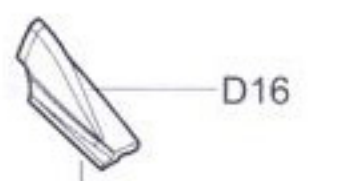
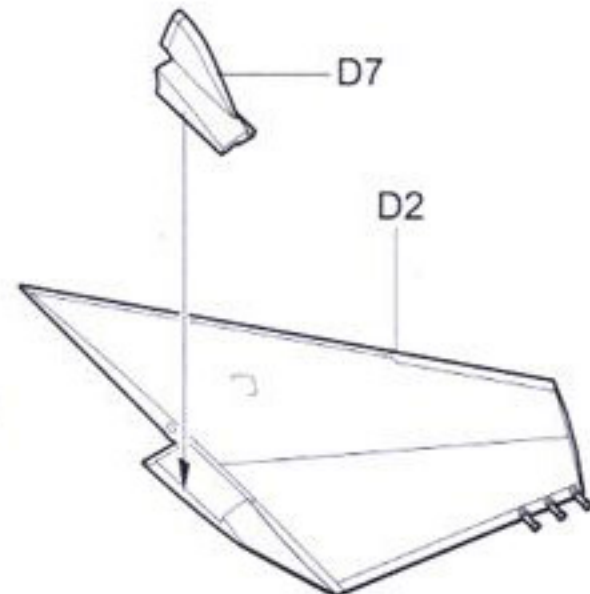
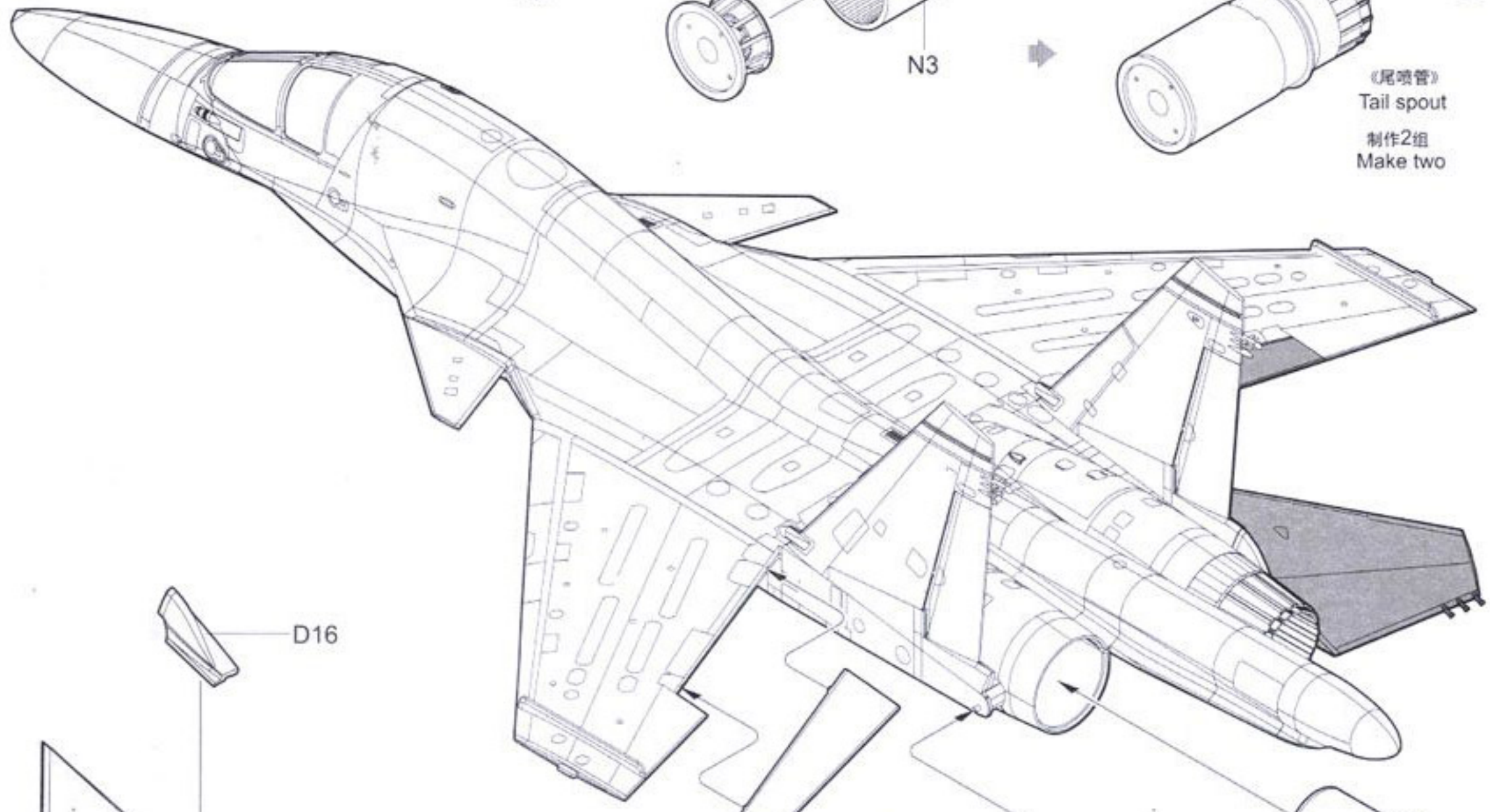
9

H 18 28  
黑铁色  
Metal Black



H 76 61  
烧铁色  
Burnt Iron

《尾喷管》  
Tail spout  
制作2组  
Make two

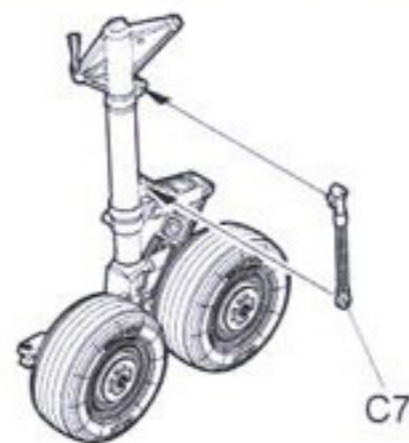
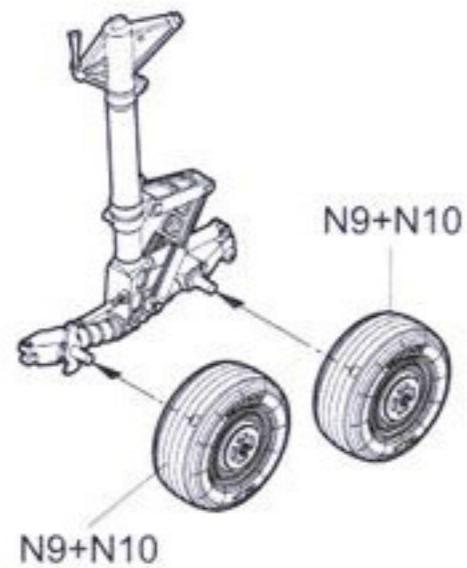
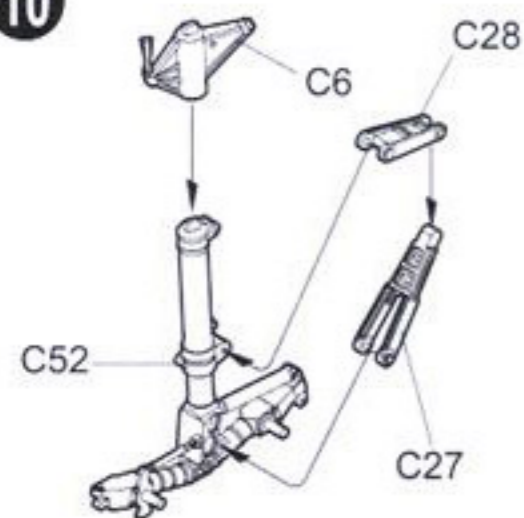


D4  
对侧 D13  
Opposite D13

《尾喷管》  
Tail spout  
对侧相同  
Both side

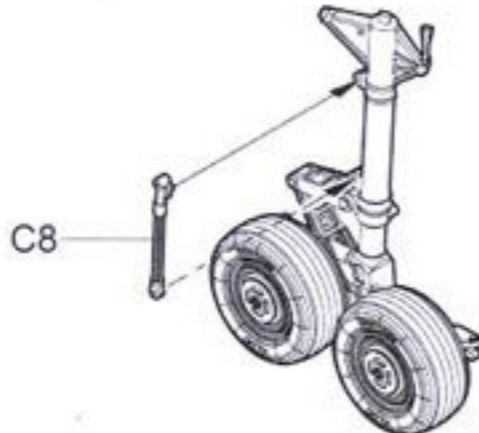
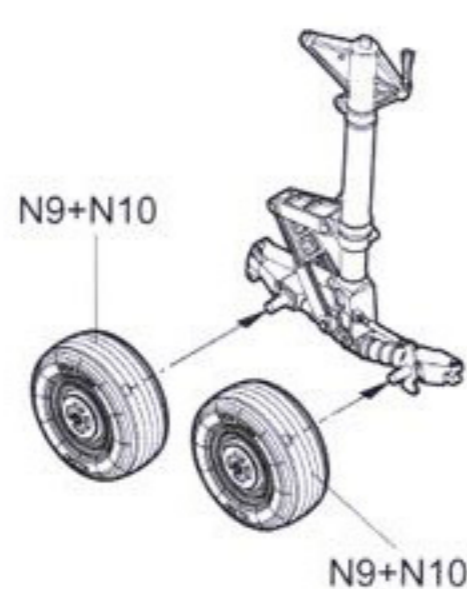
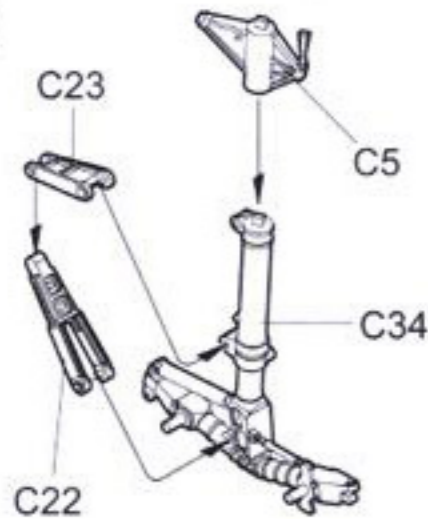


10



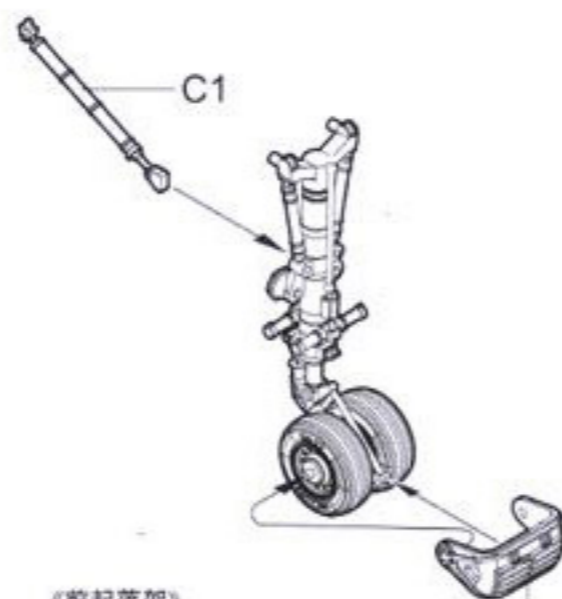
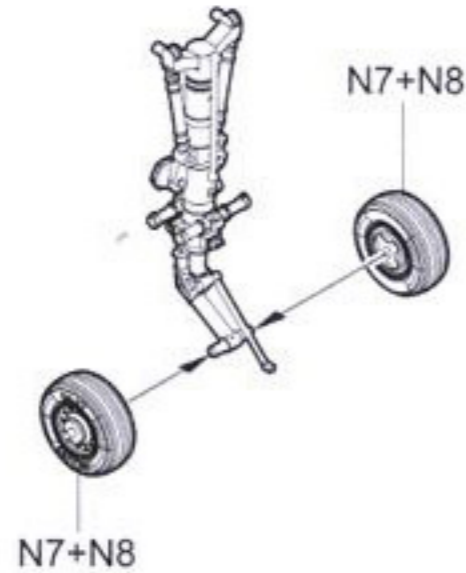
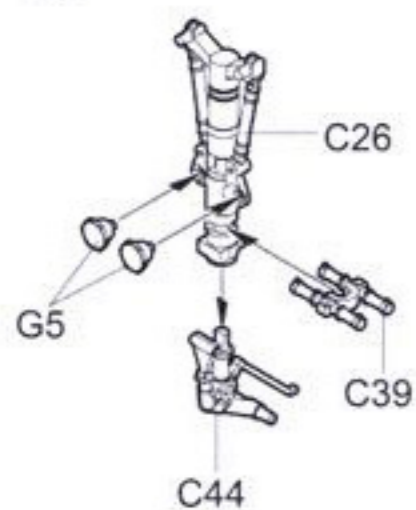
《左侧起落架》  
Left undercarriage

11



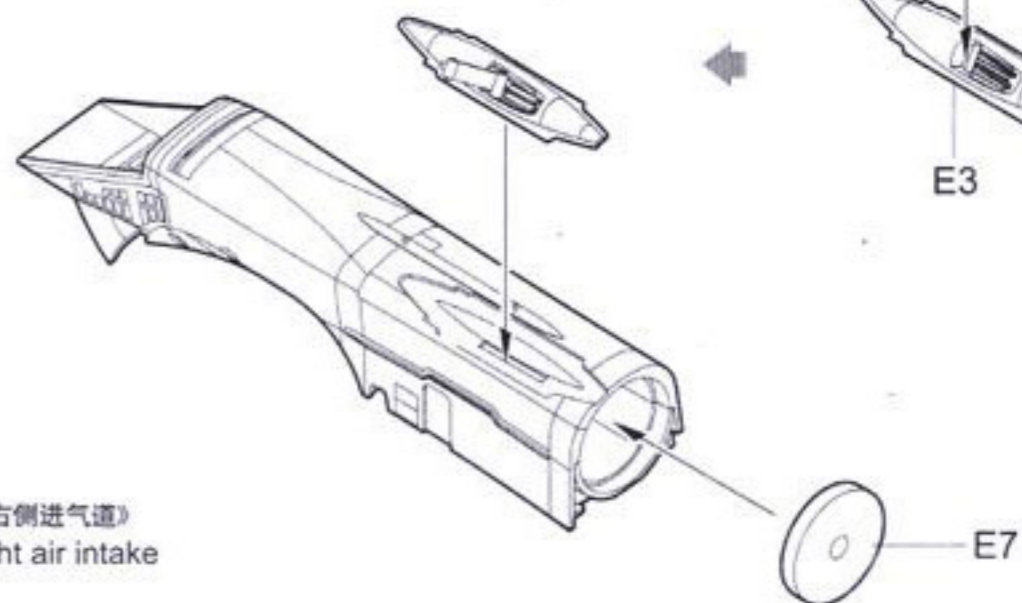
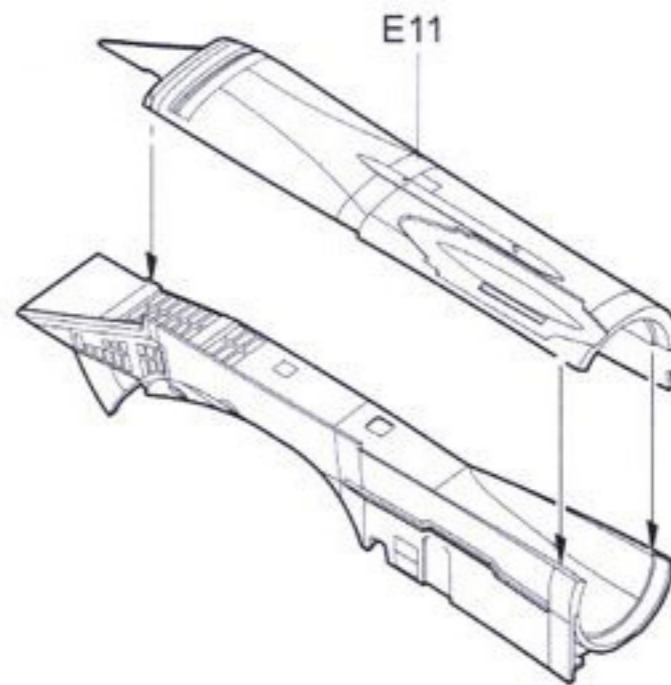
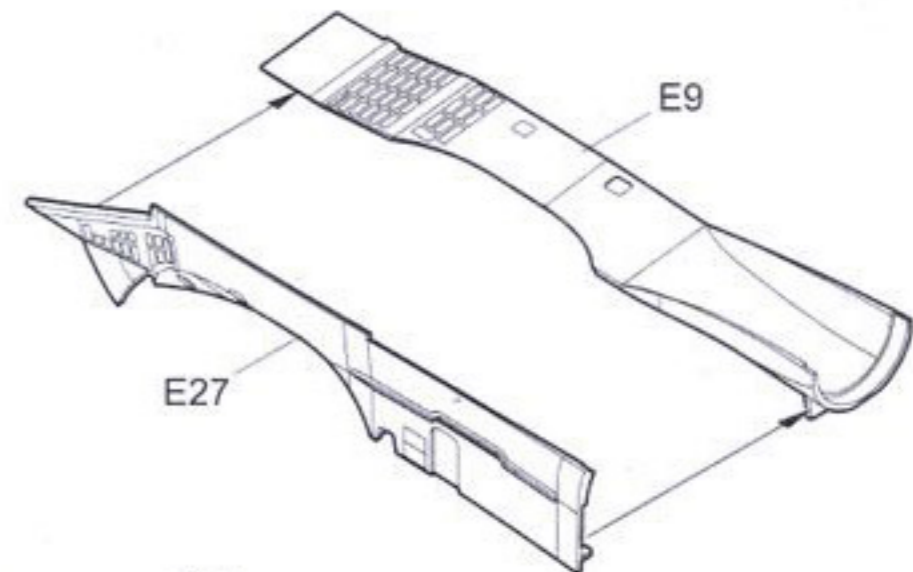
《右侧起落架》  
Right undercarriage

12



《前起落架》  
Nose undercarriage

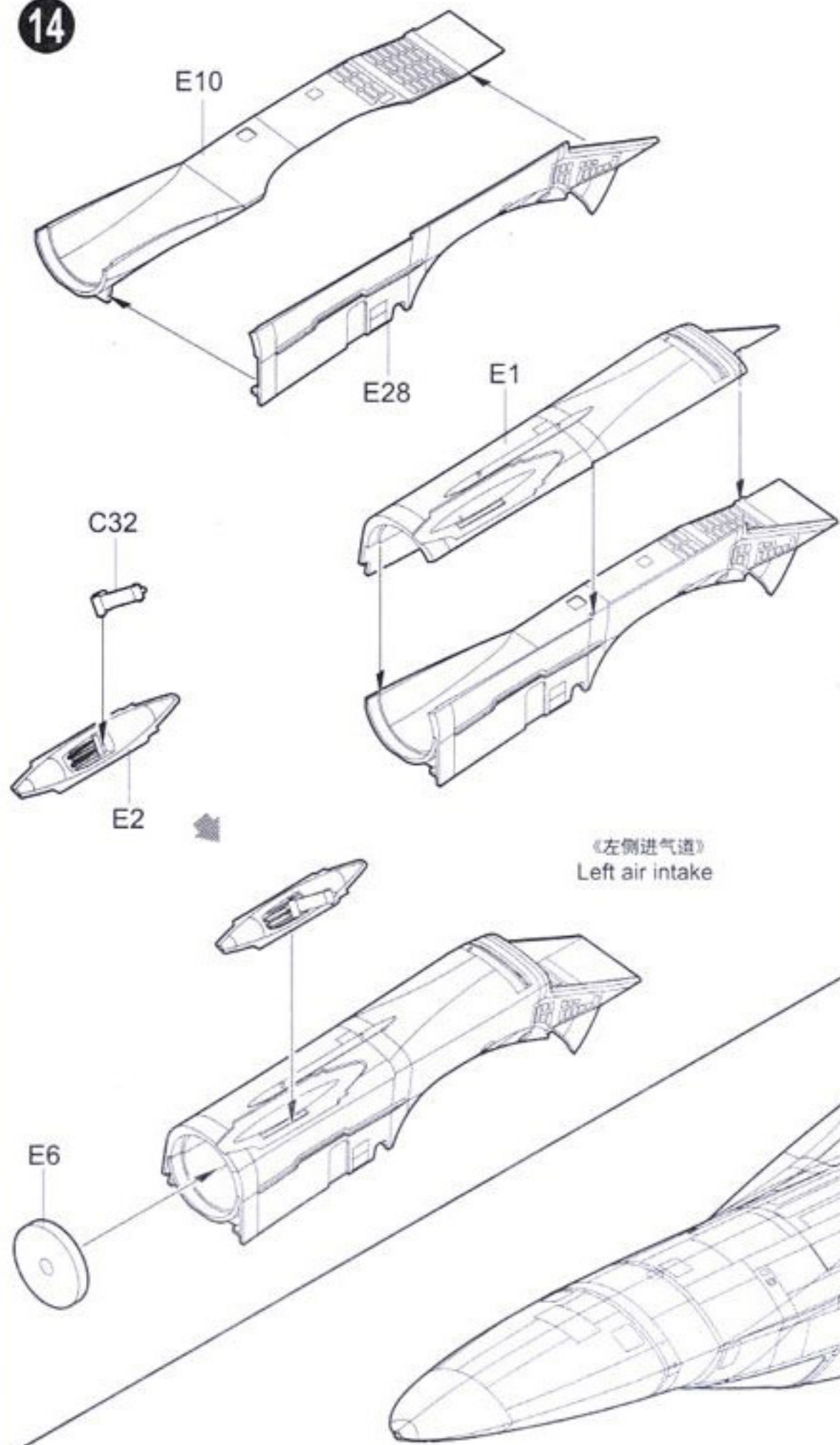
13



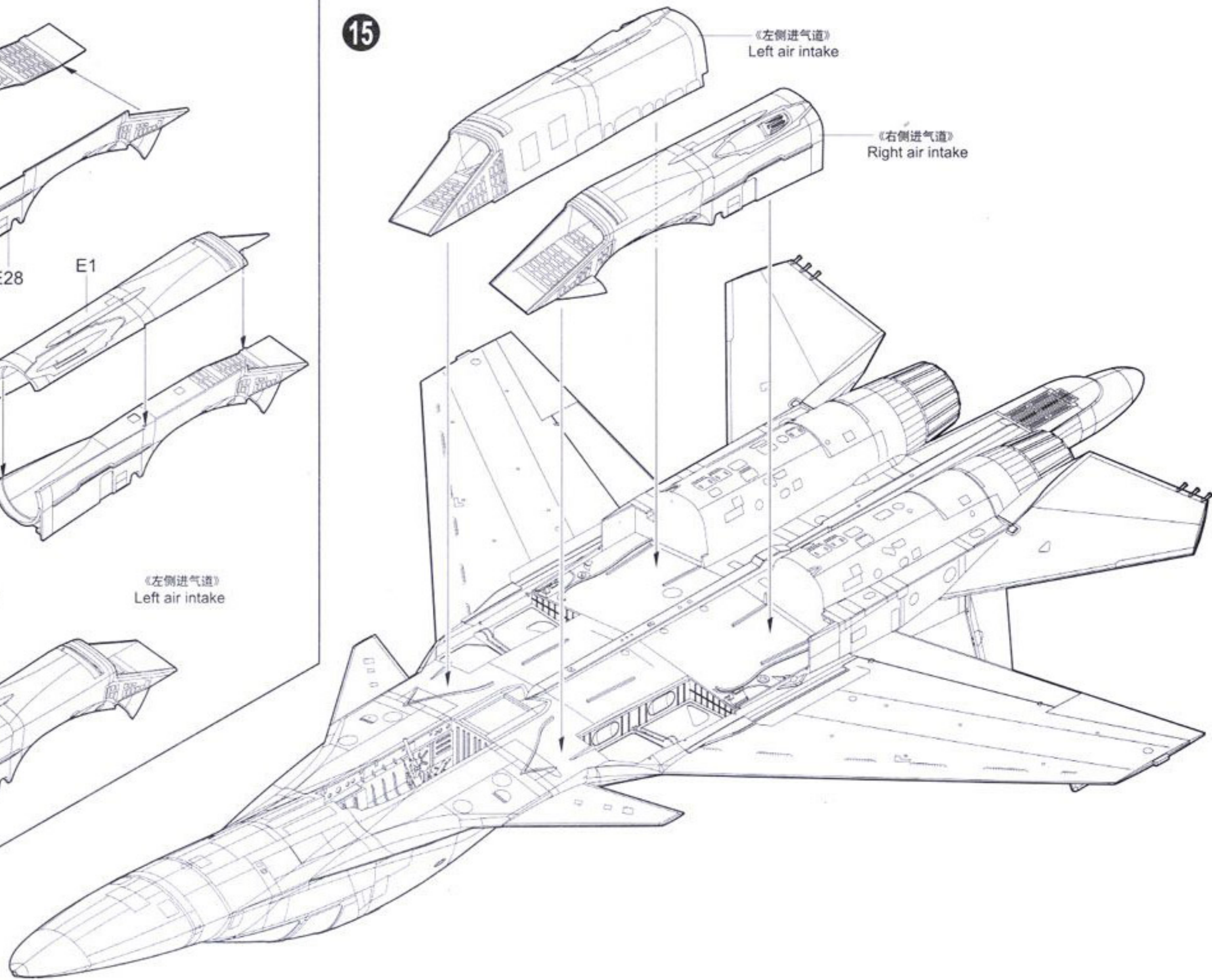
《右侧进气道》  
Right air intake



14



15





16

《前起落架》  
Nose undercarriage

《右侧起落架》  
Right undercarriage

对侧 E19  
Opposite E19  
E20

对侧 E18  
Opposite E18  
E12

C31  
对侧 C33  
Opposite C33

《左侧起落架》  
Left undercarriage

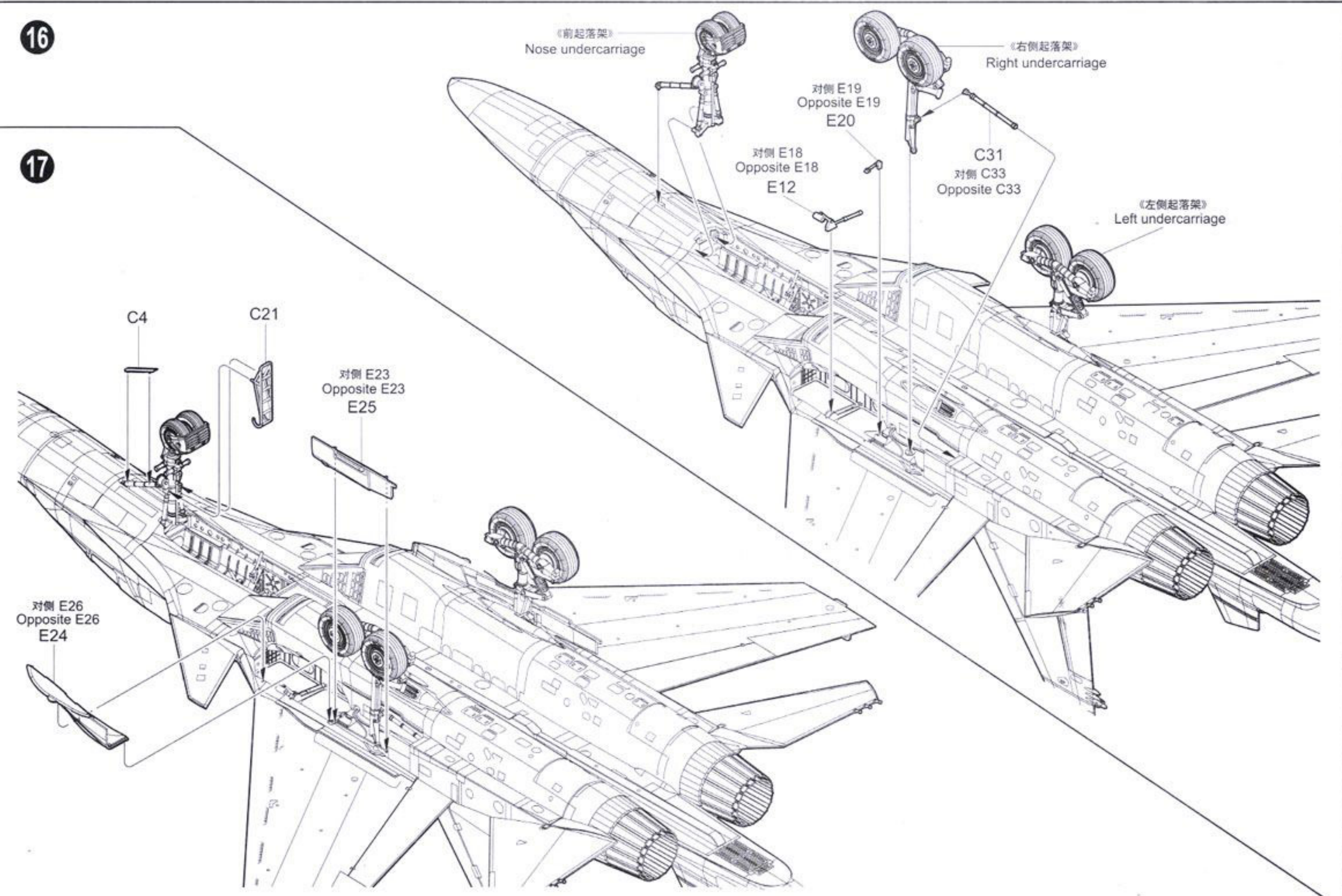
17

C4

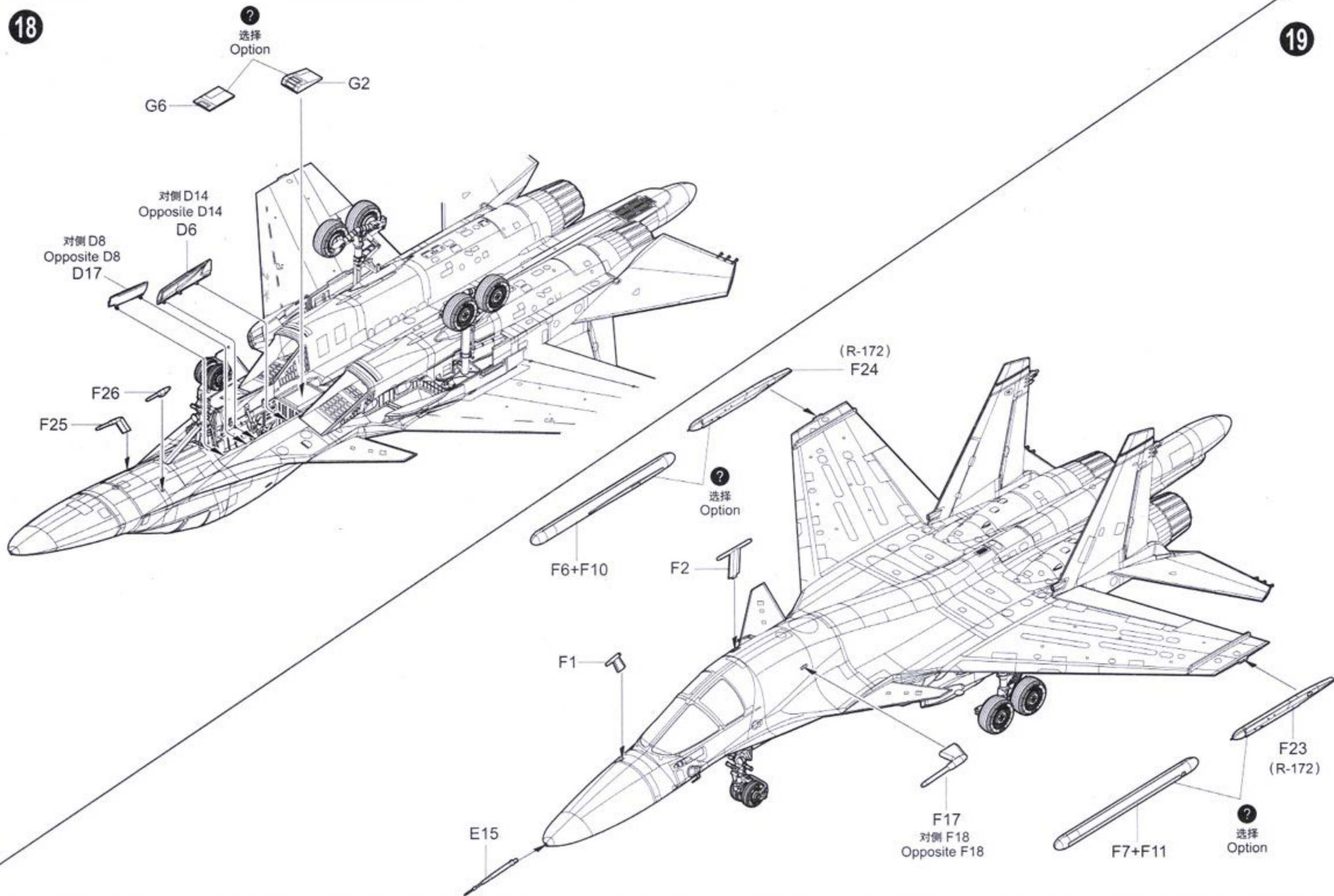
C21

对侧 E23  
Opposite E23  
E25

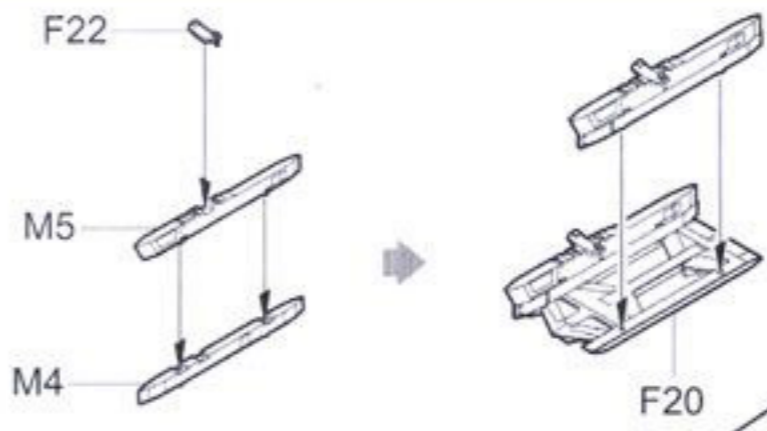
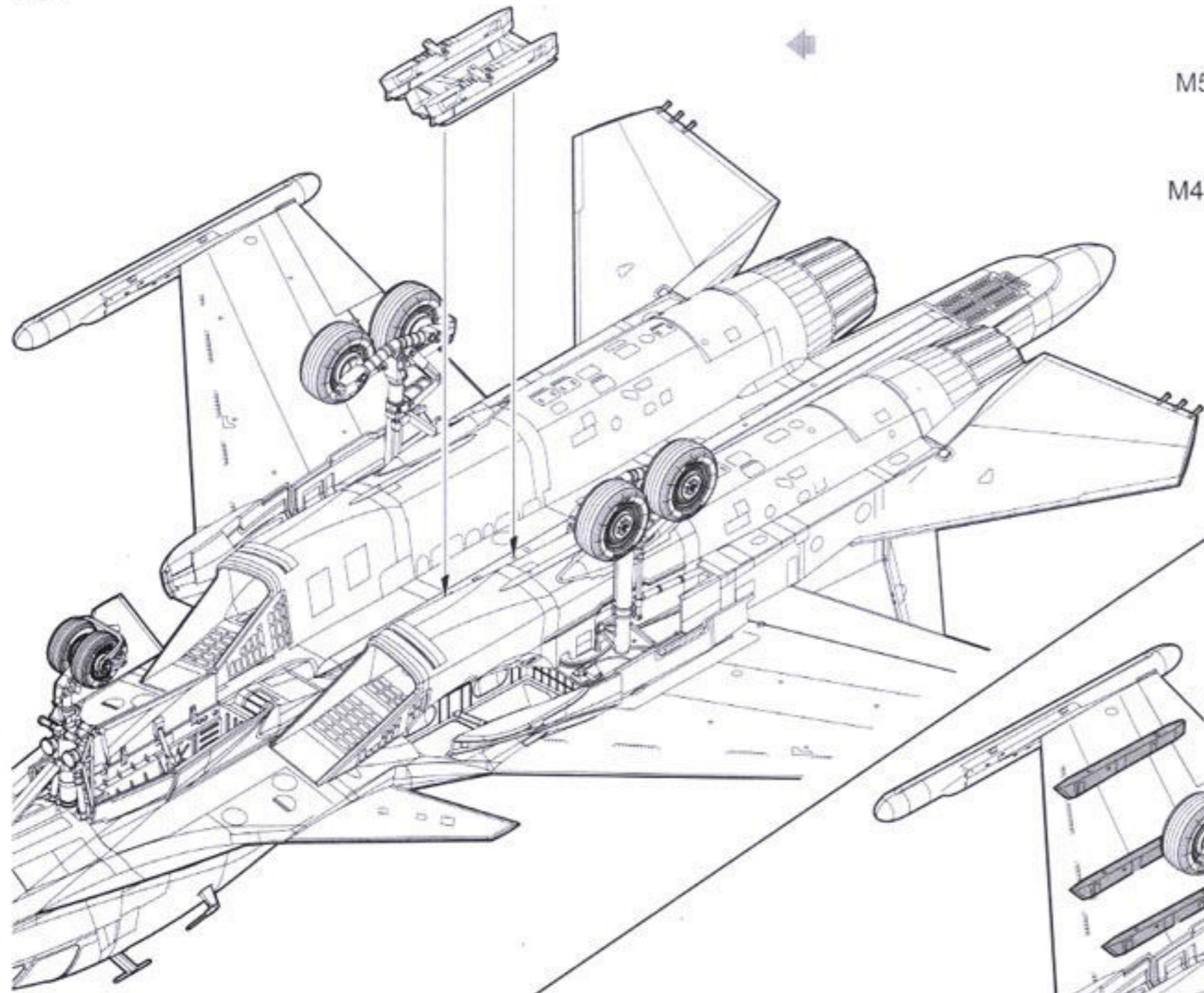
对侧 E26  
Opposite E26  
E24



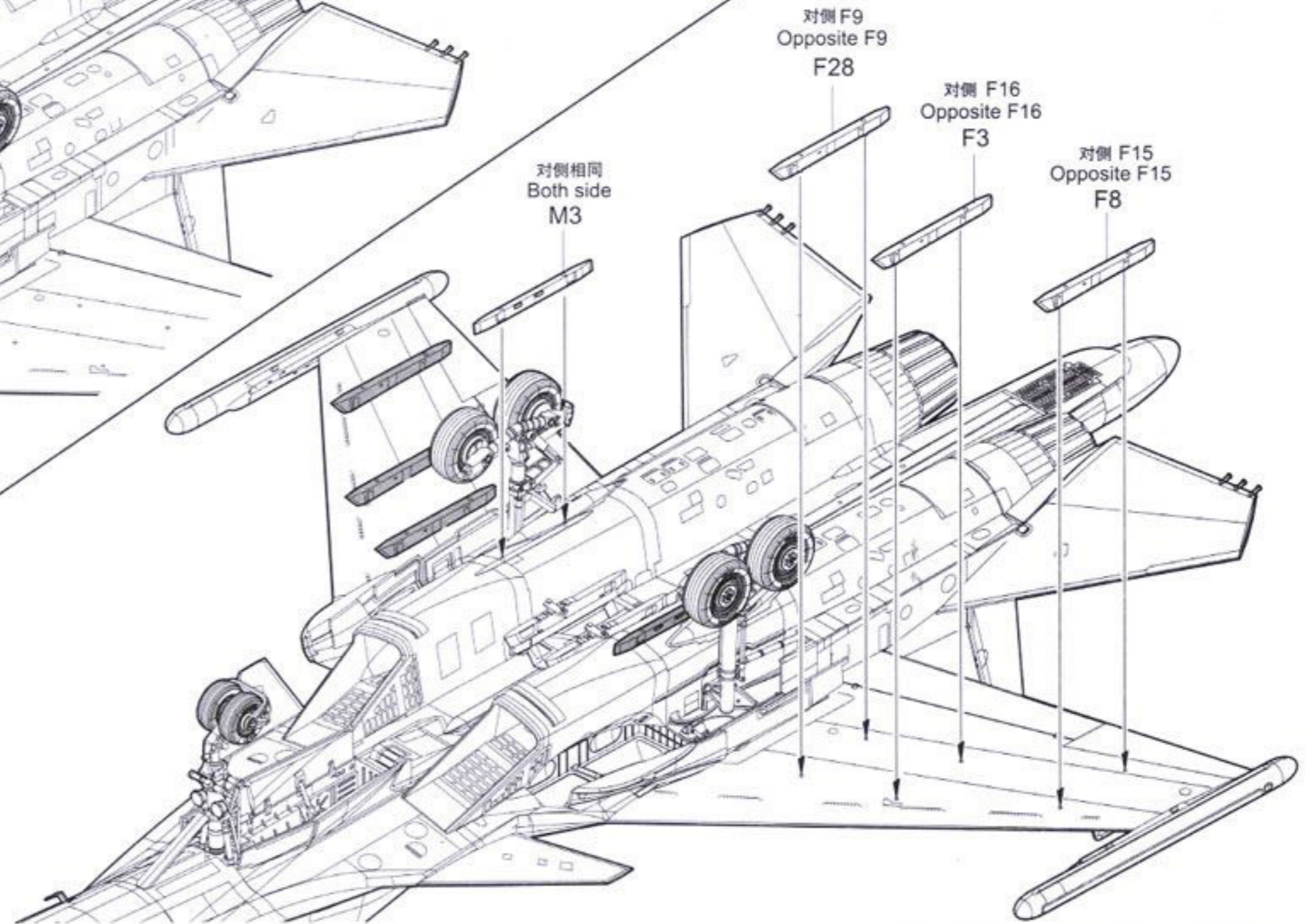






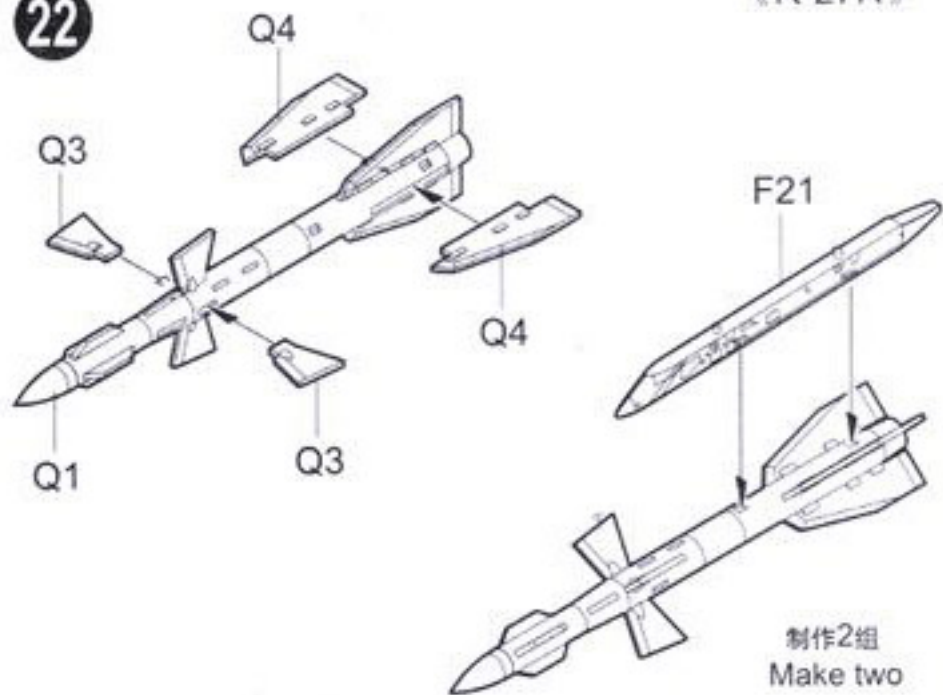


制作2组  
Make two





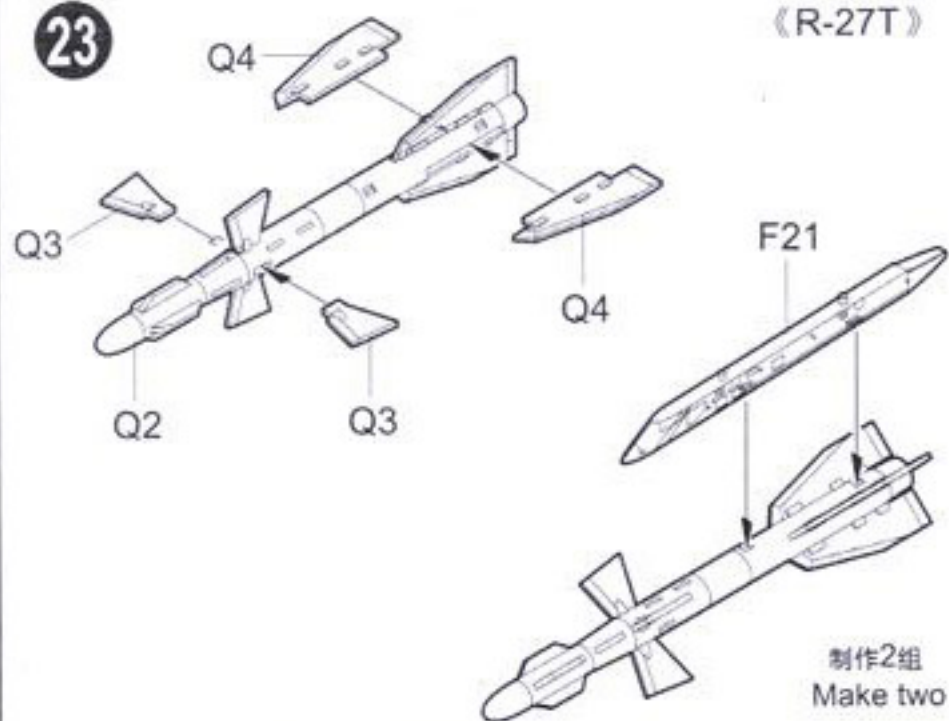
22



《R-27R》

制作2组  
Make two

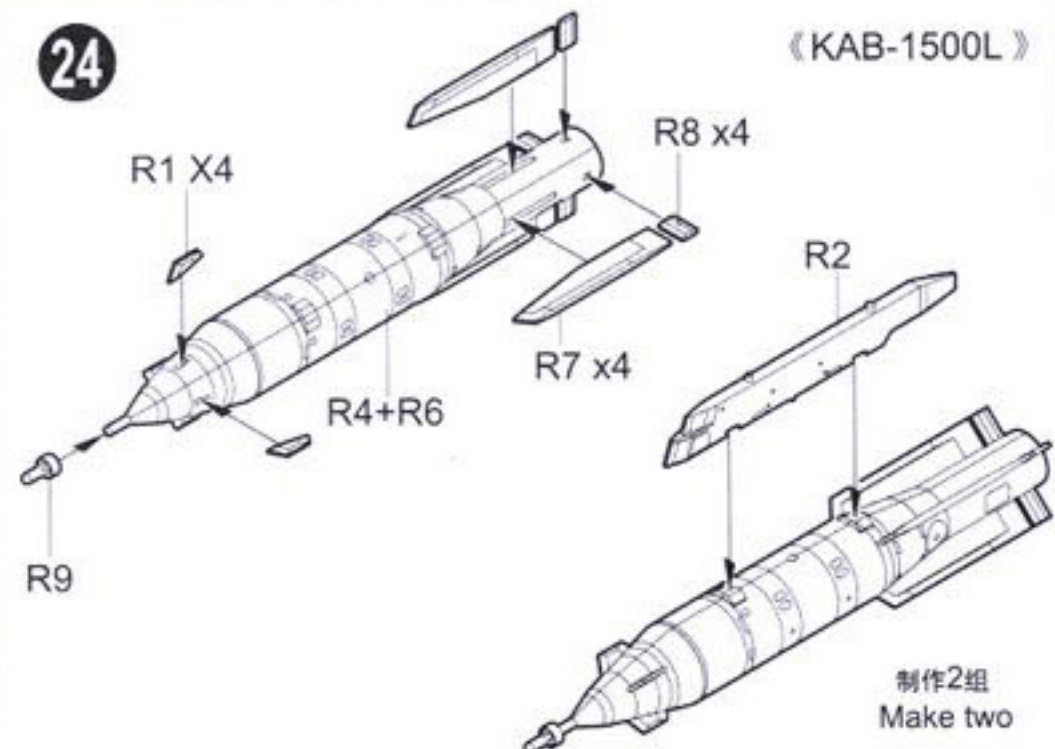
23



《R-27T》

制作2组  
Make two

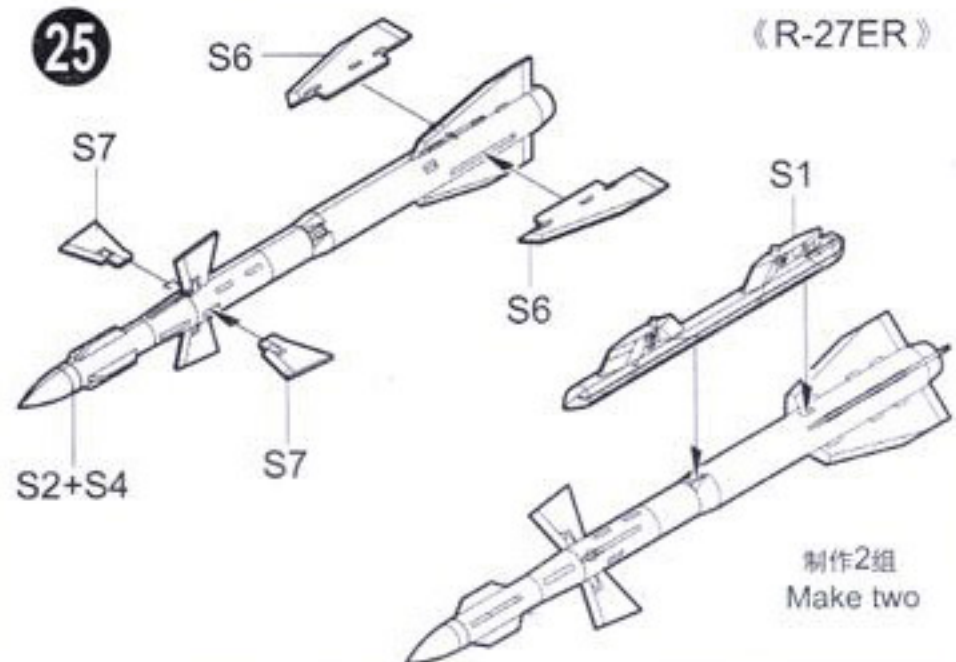
24



《KAB-1500L》

制作2组  
Make two

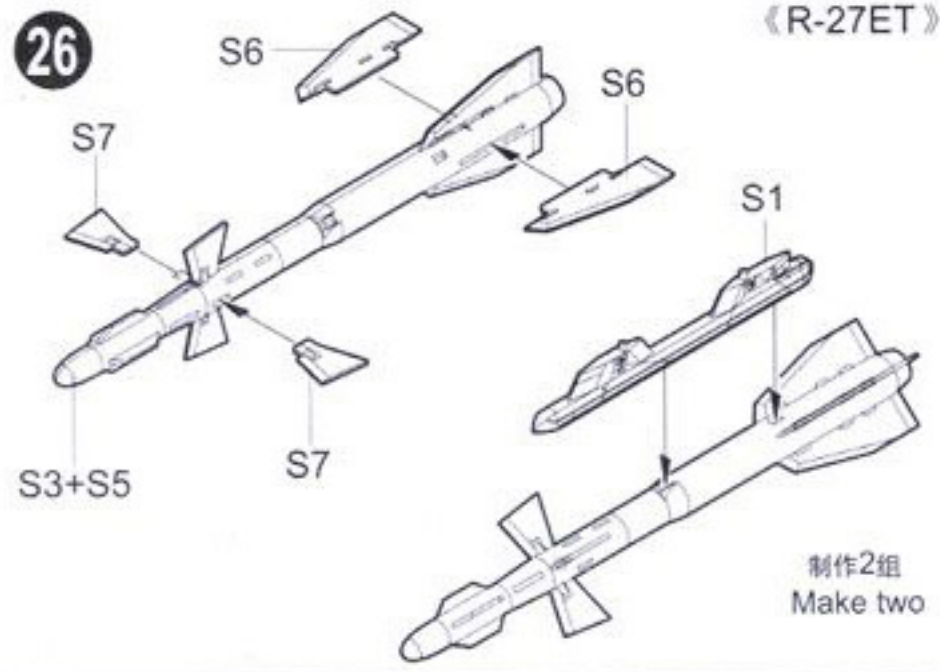
25



《R-27ER》

制作2组  
Make two

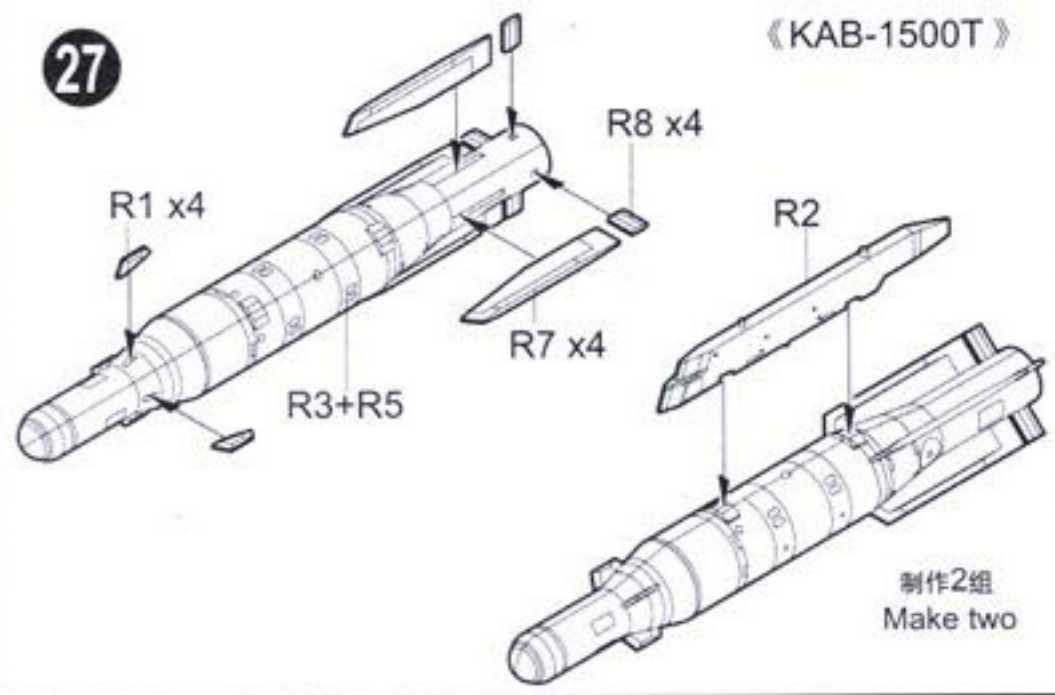
26



《R-27ET》

制作2组  
Make two

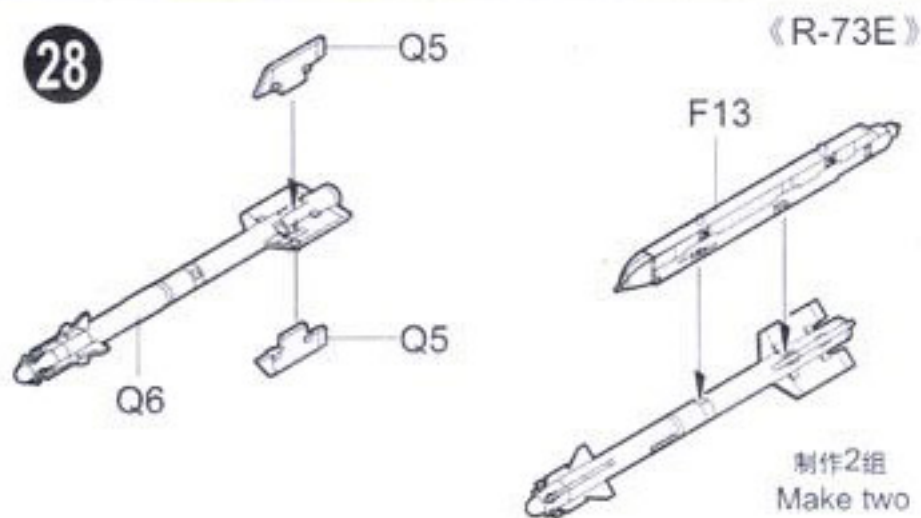
27



《KAB-1500T》

制作2组  
Make two

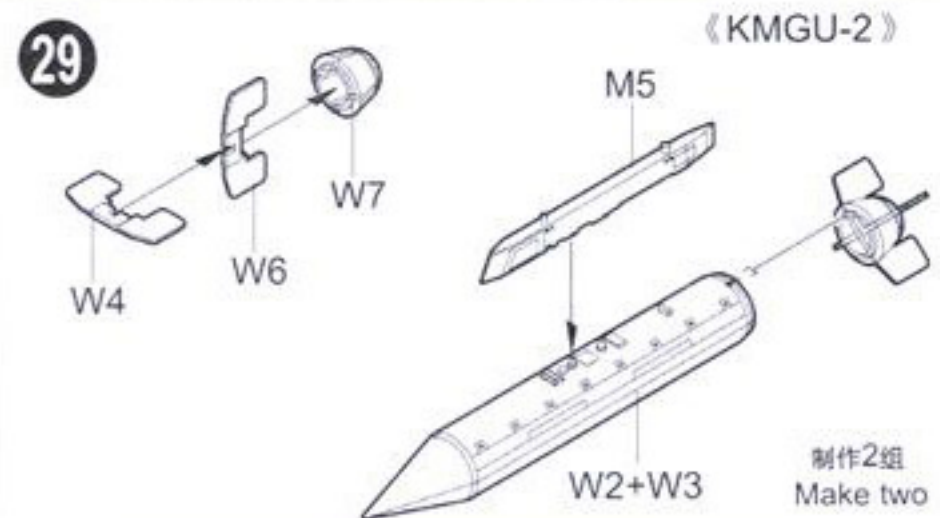
28



《R-73E》

制作2组  
Make two

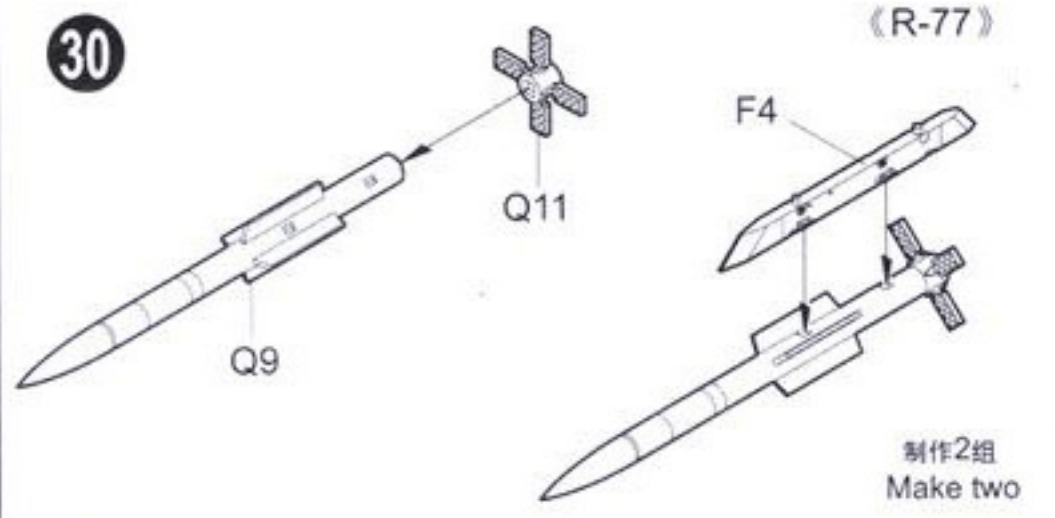
29



《KMGU-2》

制作2组  
Make two

30



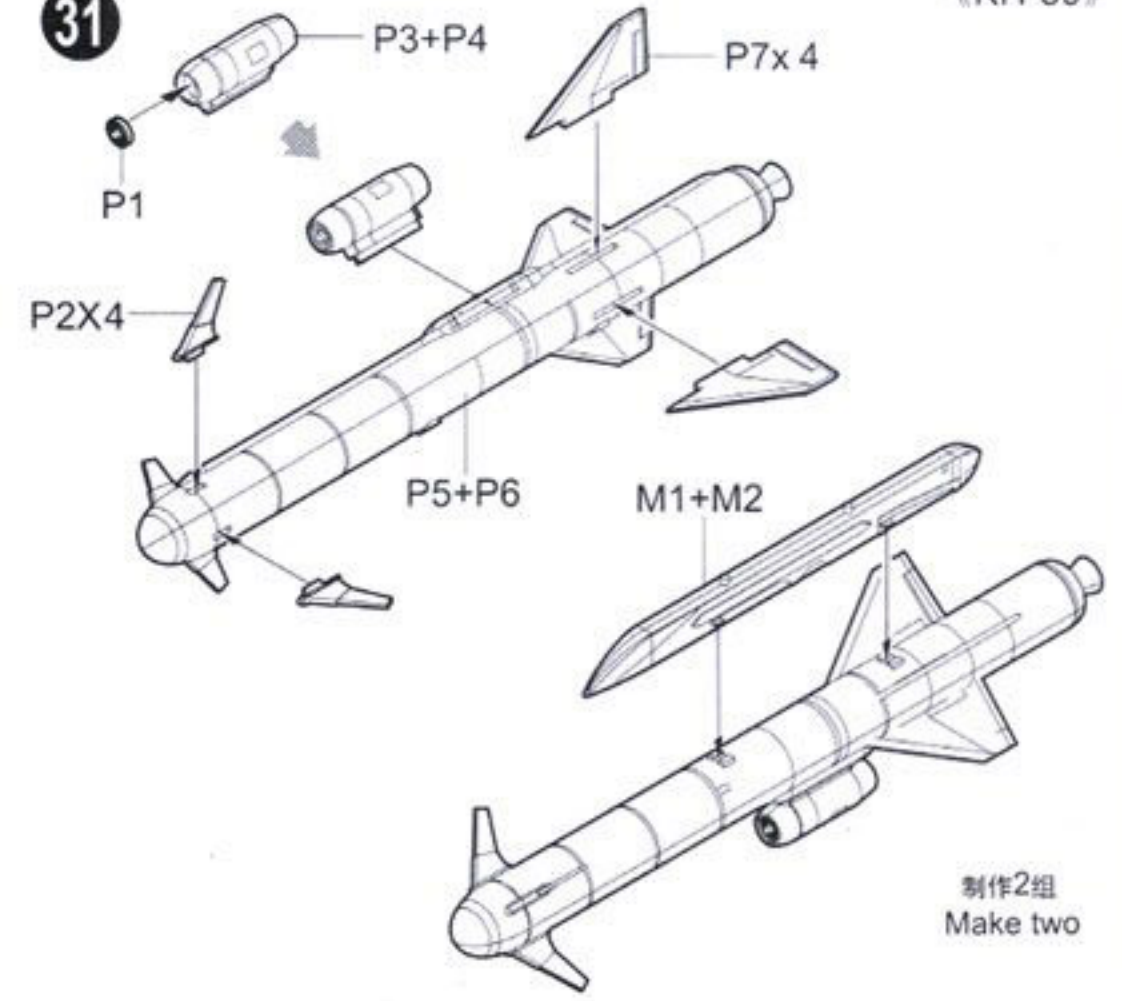
《R-77》

制作2组  
Make two



31

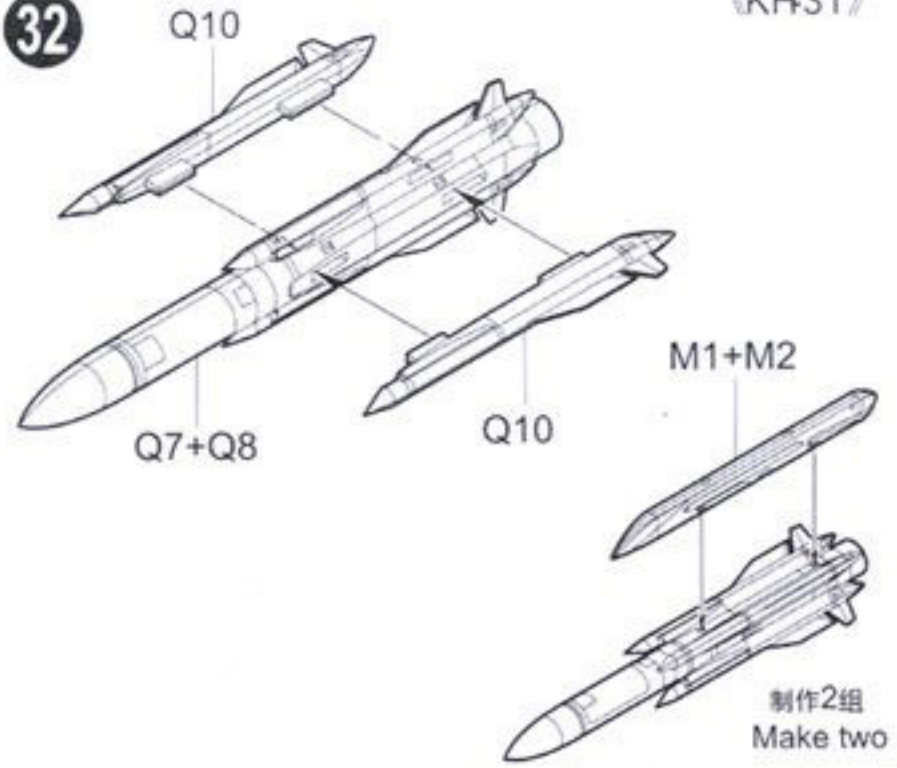
《KH-59》



制作2组  
Make two

32

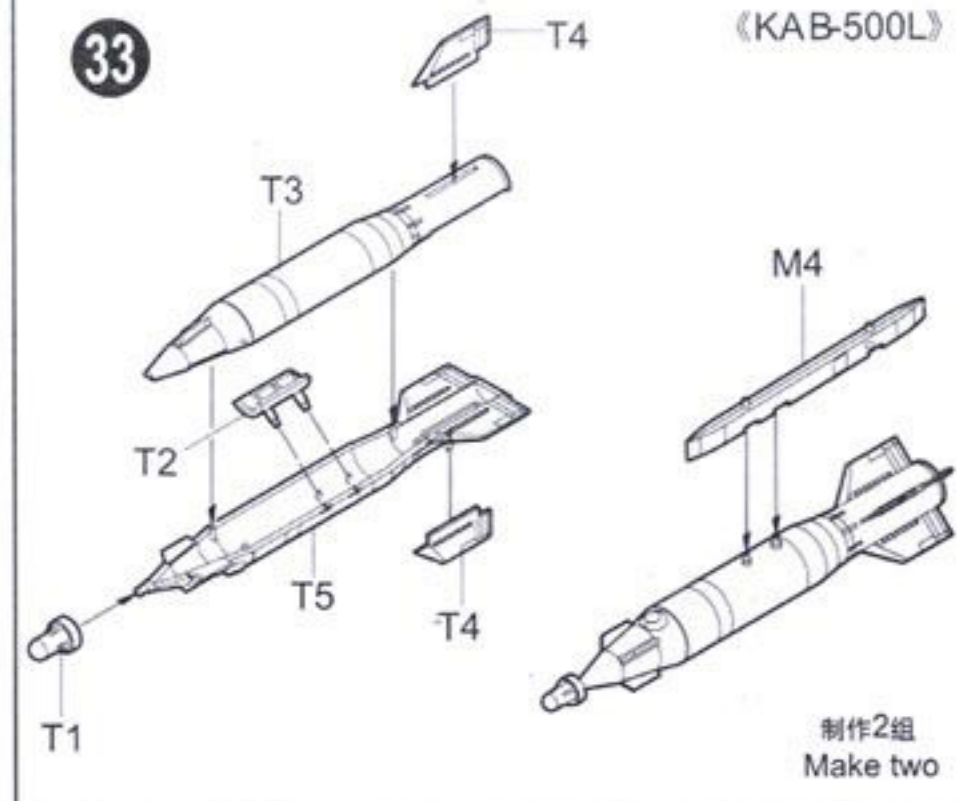
《KH31》



制作2组  
Make two

33

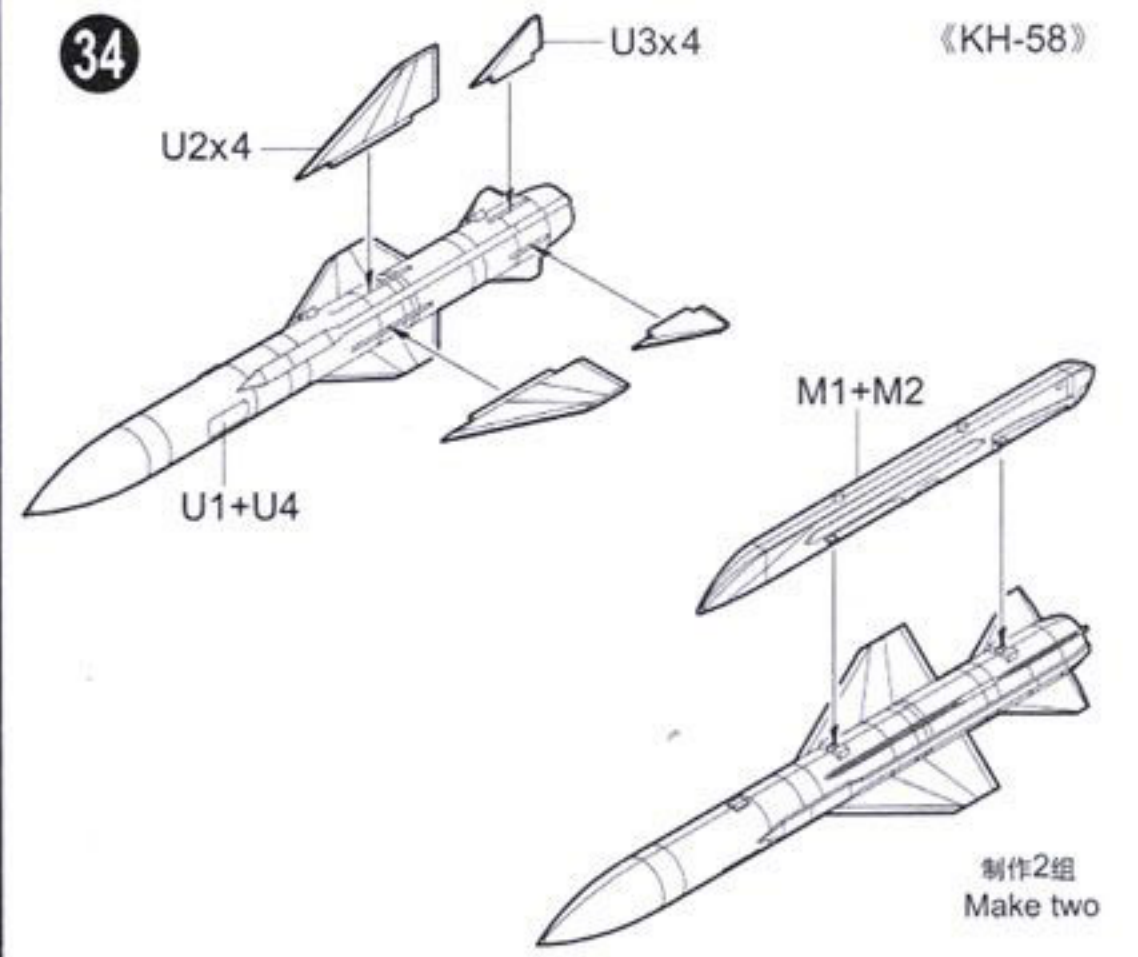
《KAB-500L》



制作2组  
Make two

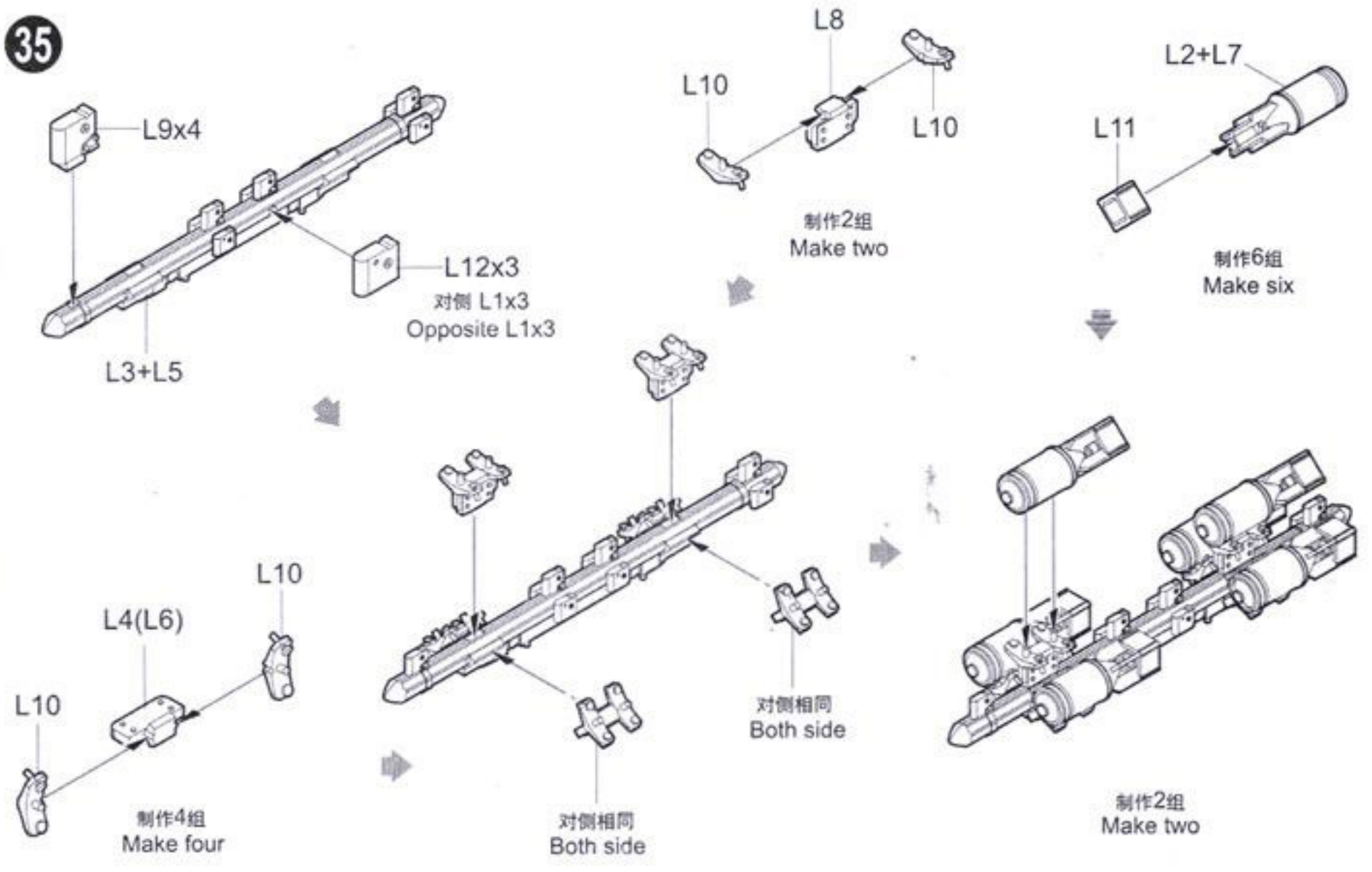
34

《KH-58》



制作2组  
Make two

35



制作2组  
Make two

制作6组  
Make six

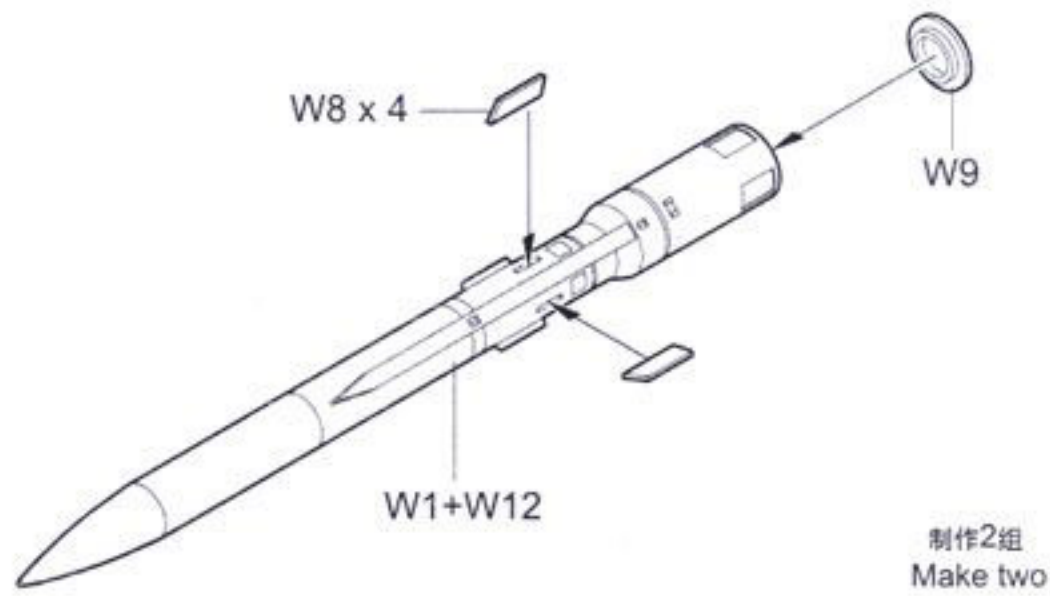
制作4组  
Make four

对侧相同  
Both side

制作2组  
Make two



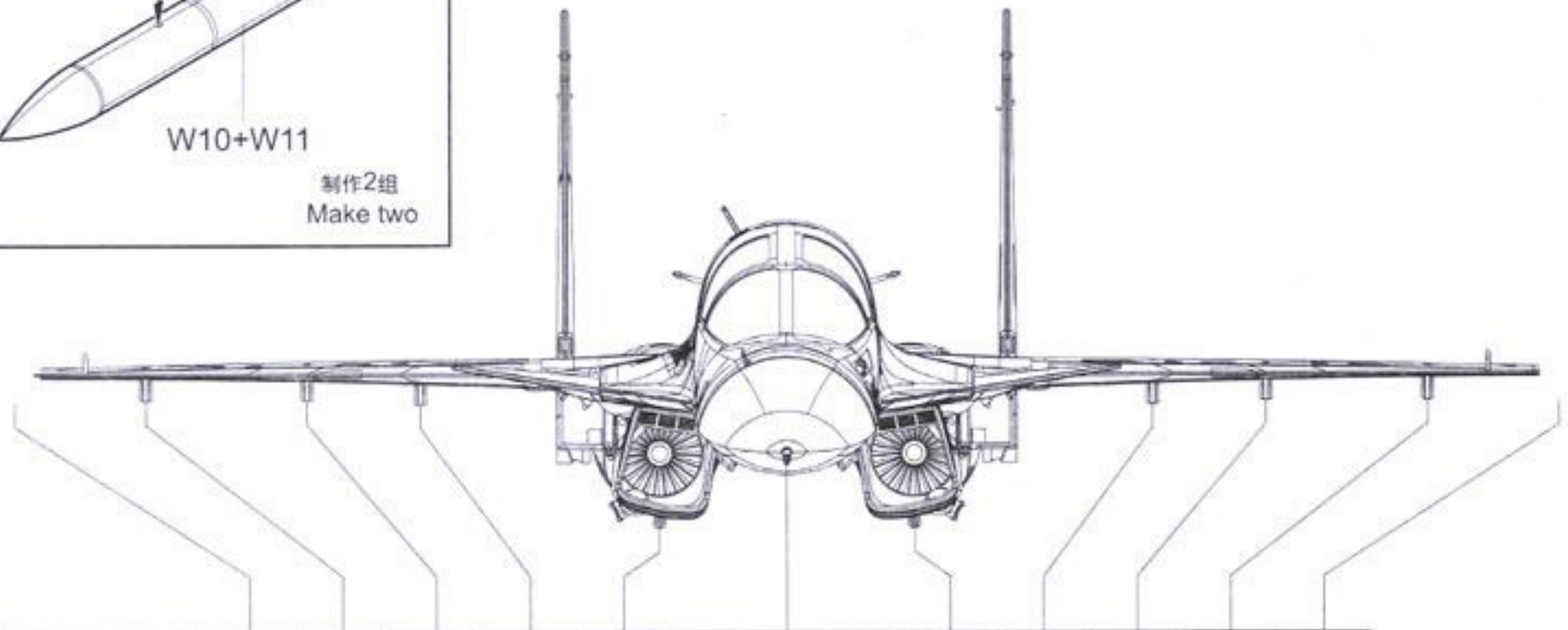
36 《R-172》



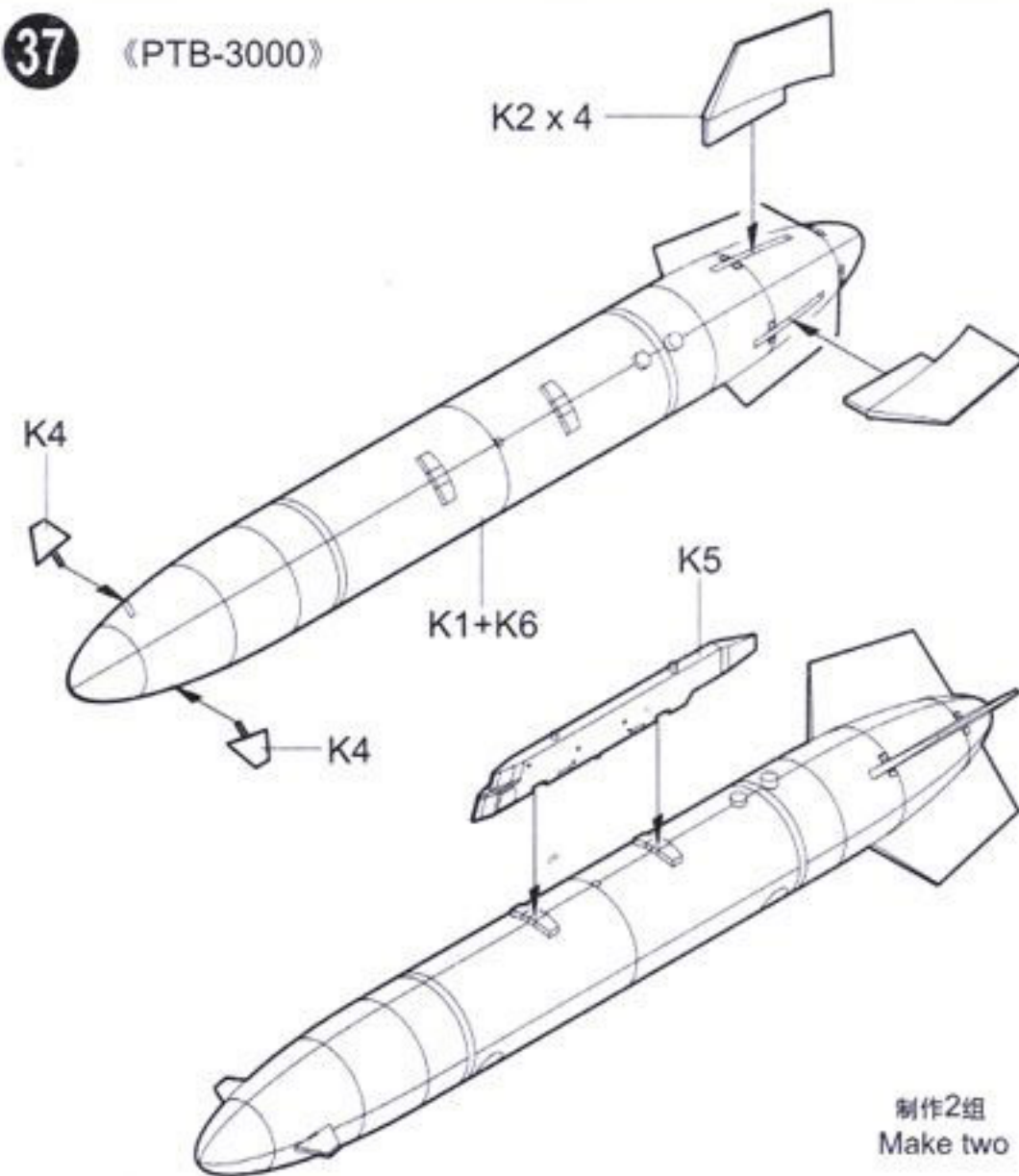
38 《APK-9》



39



37 《PTB-3000》



Sta.No.	1	2	3	4	5	Fornt	Back	6	7	8	9	10
Missile/Tank												
PTB-3000				●	●	●		●	●			
FAB-100				●	●	●		●	●			
KAB-500L				●	●	●	●	●	●			
APK-9				●	●		●	●	●			
KH-58				●	●			●	●			
KH-59				●	●			●	●			
KMGU-2				●	●			●	●			
KH-31				●	●			●	●			
KAB-1500L				●	●			●	●			
KAB-1500T				●	●			●	●			
R-172	●											●
R-73E		●	●							●	●	
R-77		●	●							●	●	
R-27ER		●	●							●	●	
R-27ET		●	●							●	●	
R-27R		●	●							●	●	
R-27T		●	●							●	●	







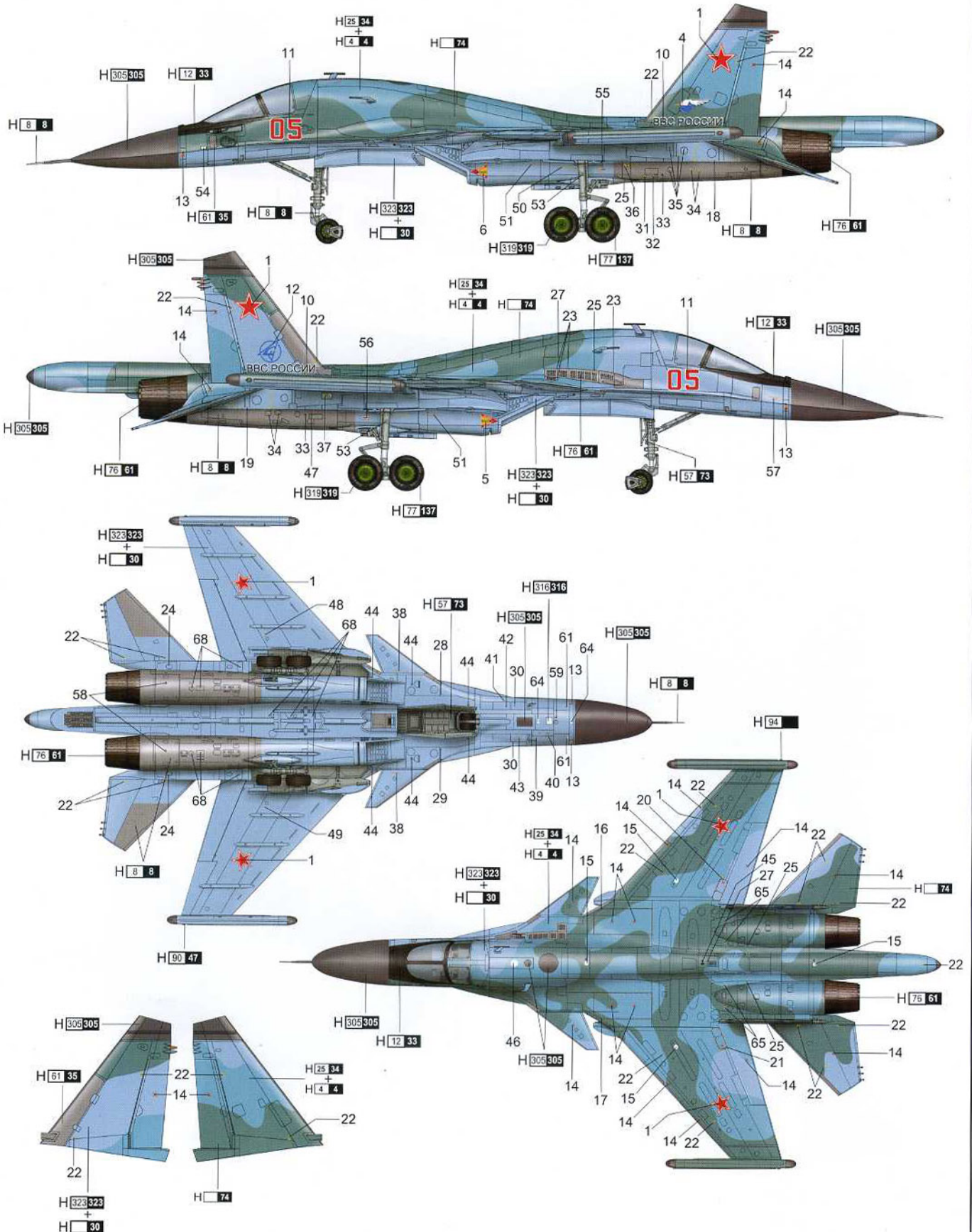
# 涂装同标贴指示

## Painting & Marking guide

### B Russian Air Force, Su-34

PAINT REFERENCE COLOUR					
Color	Mr.Hobby	Vallejo	Model Master	Tamiya	Humbrol
明灰白 Gray	H 61 35	907	1731	—	146
黑 (哑光) Flat Black	H 12 33	950	1749	X1	33
灰色 Medium Gunship Grey	H 305 305	868	1723	XF58	125
银色 Silver	H 8 8	997	1546	X11	11

PAINT REFERENCE COLOUR					
Color	Mr.Hobby	Vallejo	Model Master	Tamiya	Humbrol
天蓝色 Sky Blue	H 25 34	—	—	X14	—
黄色 Yellow	H 4 4	953	1514	X8	69
淡灰蓝 Pearl Grey	H 74	—	—	—	—
青松叶色 Light Green	H 319 319	—	1713	—	117



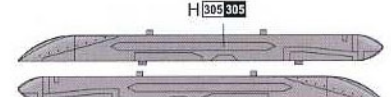
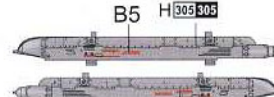
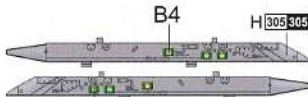
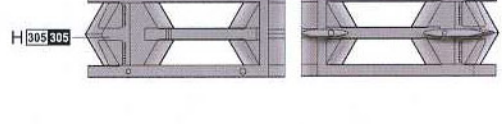
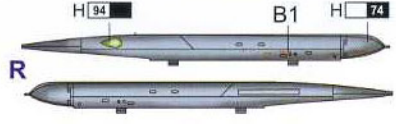
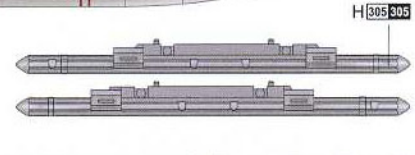
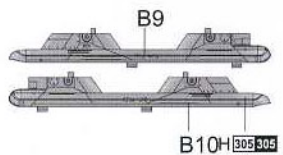
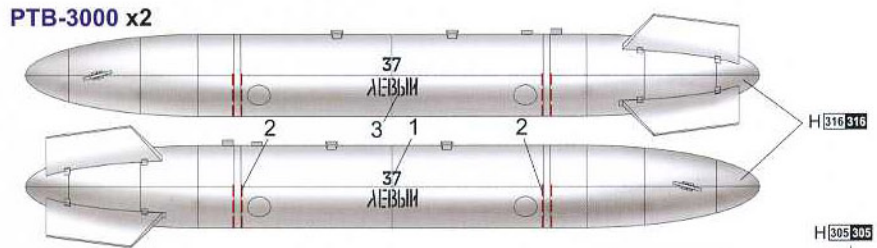
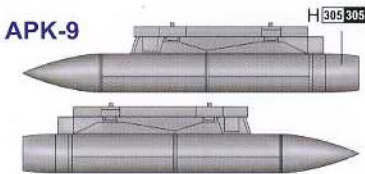
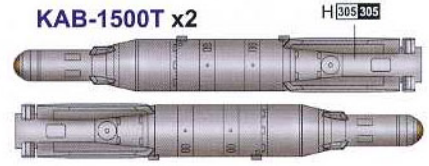
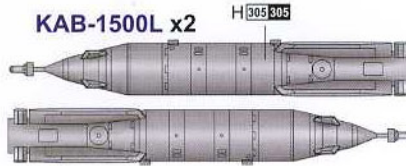
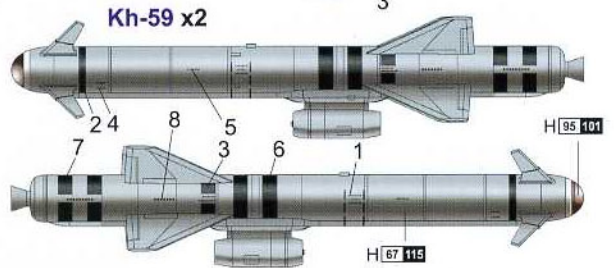
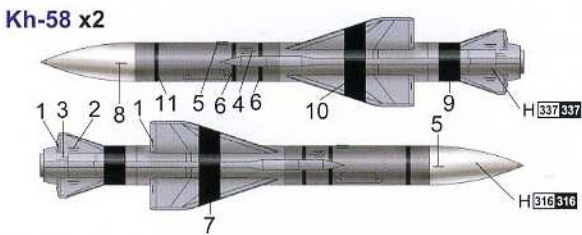
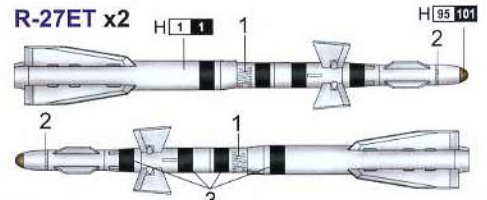
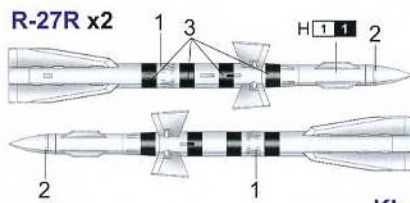
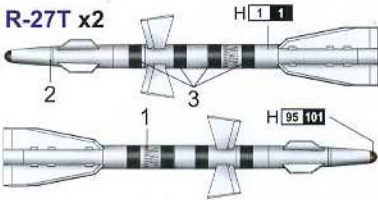
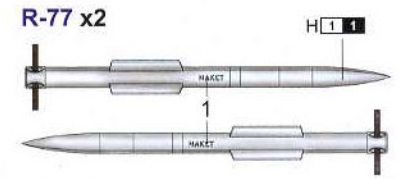
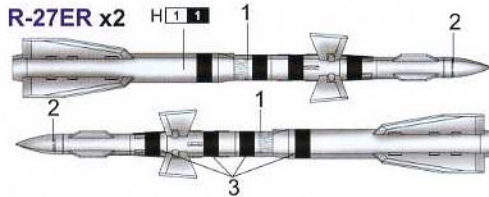
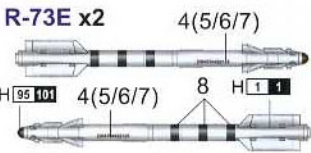
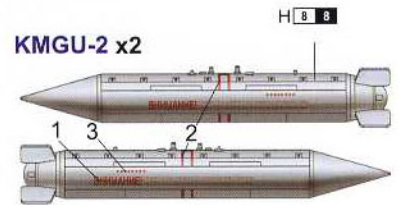
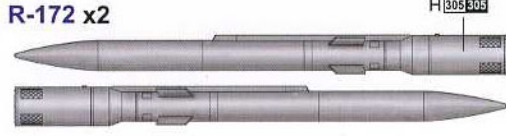
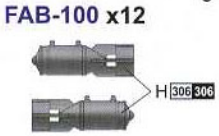
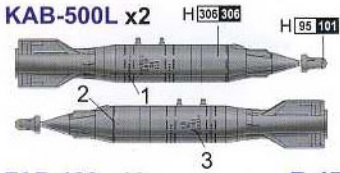
H [ ] AQUEOUS HOBBY COLOR    X Mr. COLOR



# 涂装同标贴指示 Painting & Marking guide

## PAINT REFERENCE COLOUR

Color	Mr.Hobby	Vallejo	Model Master	Tamiya	Humbrol	Color	Mr.Hobby	Vallejo	Model Master	Tamiya	Humbrol
白色 White Insignia	H 316 316	991	1745	X2	22	灰色 Medium Grey	H 306 306	870	1725	XF20	-
银色 Silver	H 8 8	997	1546	X11	11	淡蓝色 Light Blue	H 67 115	906	-	XF23	65
烟灰色 Smoke Blue	H 95 101	-	-	-	-	烧铁色 Burnt Iron	H 76 61	863	1795	X10	53
深灰色 Medium Gunship Grey	H 305 305	868	1723	XF58	125	淡灰色 Gray Blue	H 337 337	-	1721	XF20	145
白色 White	H 1 1	842	1745	X2	22	透明红 Clear Red	H 90 47	934	-	X27	-
浅灰蓝 Pearl Grey	H 74	-	-	-	-	透明绿 Clear Green	H 94	936	-	X25	-



H(X) AQUEOUS HOBBY COLOR

X Mr. COLOR