

48th Scale
NO.
48-52



USAF KOREAN WAR F-86 SABRES

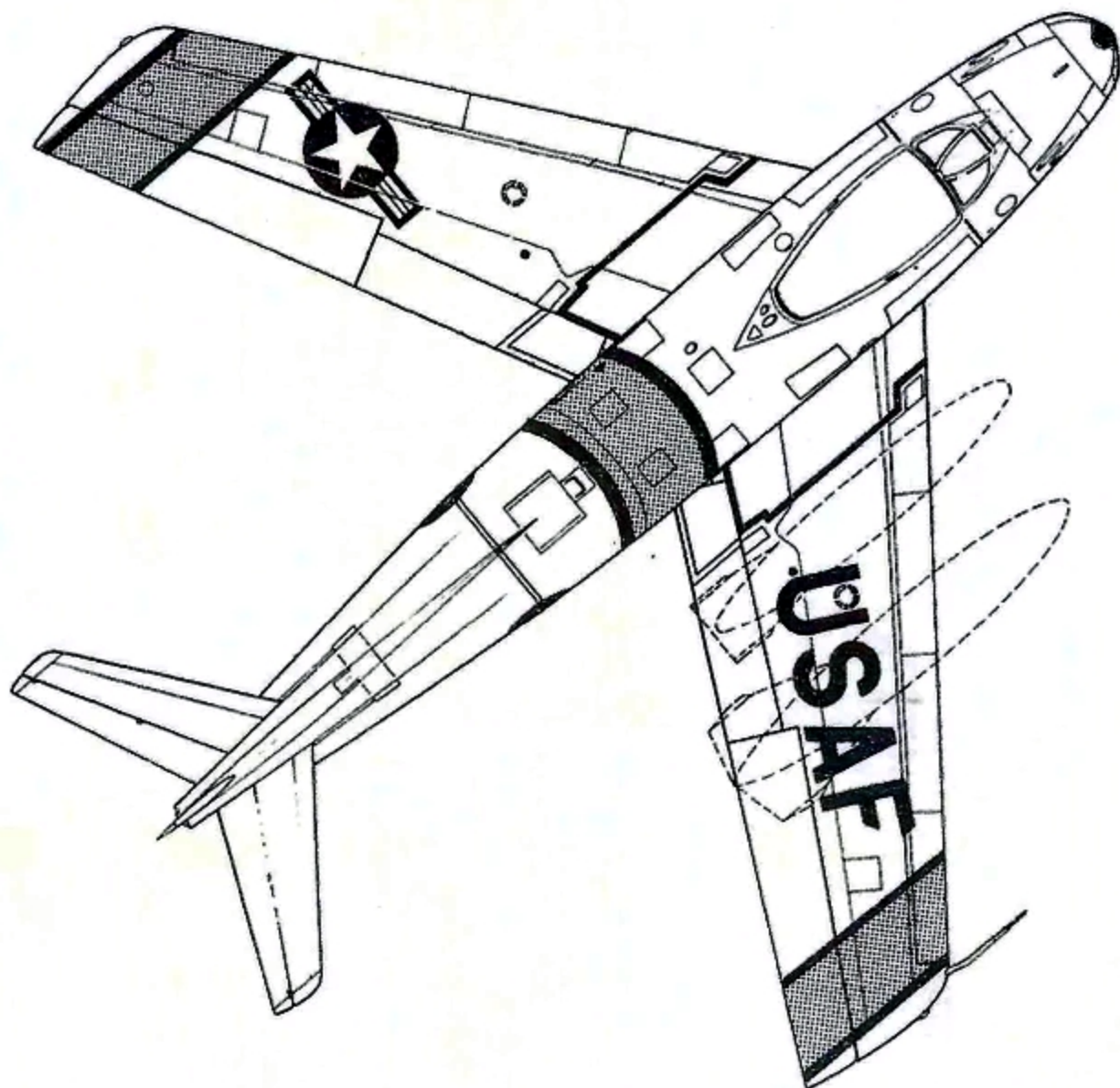
MICROSCALE DECAL

BY KRASEL INDUSTRIES, INC., SANTA ANA, CA. 92705

AIRCRAFT

'2.50

RECOMMENDED KIT: MONOGRAM F-86



**WE WISH TO THANK
LARRY DAVIS
FOR HIS ASSISTANCE**

STANDARD USAF MARKINGS FOR F-86S IN KOREA

AIRCRAFT: OVERALL NATURAL METAL

FUSELAGE ID BAND: YELLOW 28inch

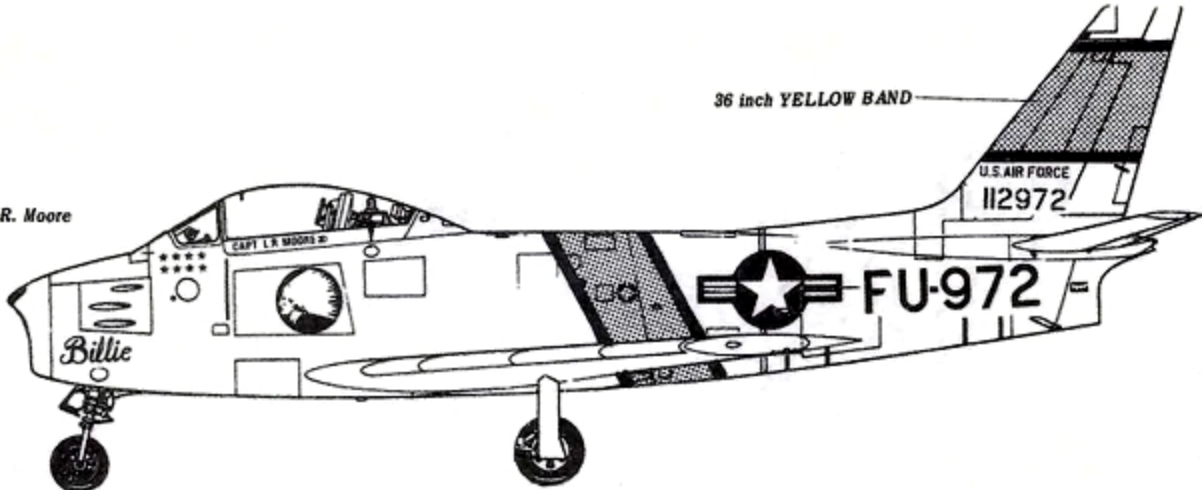
WING ID BAND: YELLOW 36inch

**4 inch BLACK BORDER ON ALL YELLOW ID BANDS. THIS IS
GIVEN ON DECAL SHEET.**



The International Plastic Modelers Society is an organization devoted to developing the plastic modeling art. It was formed "By Modelers - For Modelers". If you wish to expand your modeling talents, write for further information to: IPMS/USA, New Member Information, P.O. Box 2555, Long Beach, Ca., 90801.

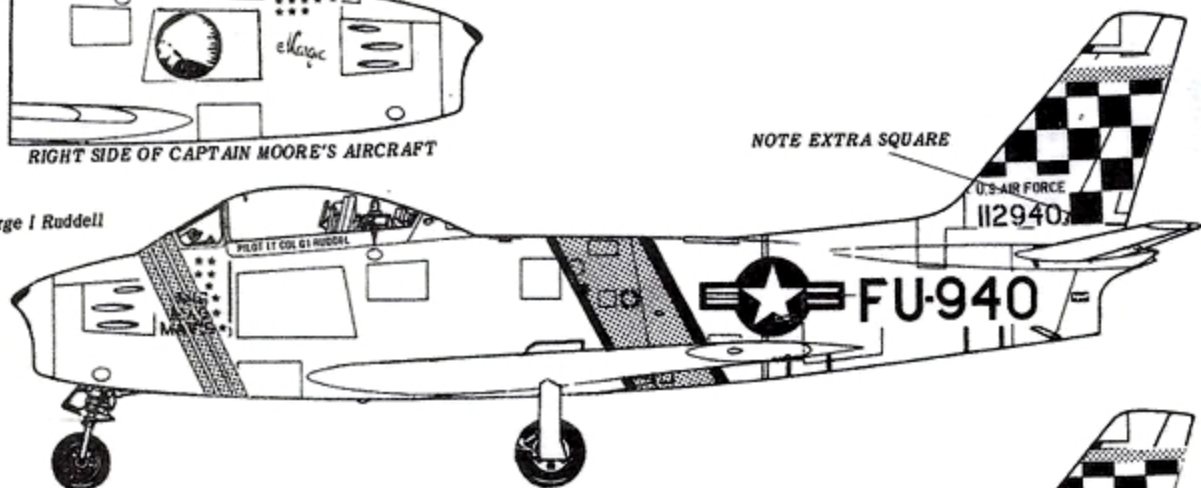
F-86F Flown by Capt. Lonnie R. Moore
 355th FS 4th FIW
 8 Kills



NOTE: 355th INDIAN HEAD INSIGNIA
 FACES AFT



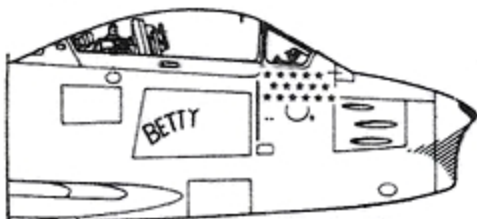
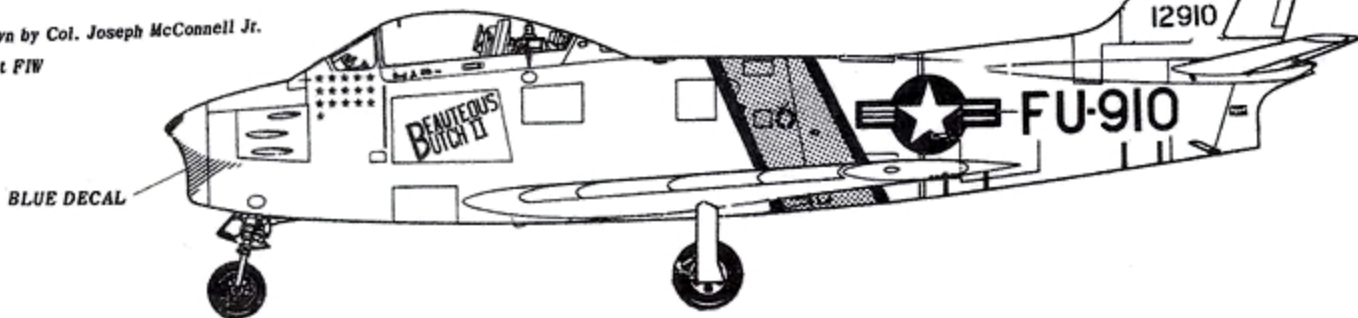
F-86F Flown by Lt. Col. George I. Ruddell
 C.O. 39th FS 51st FIW
 8 Kills



RIGHT SIDE OF CAPTAIN MOORE'S AIRCRAFT

NOTE EXTRA SQUARE

F-86F Flown by Col. Joseph McConnell Jr.
 16th FS 51st FIW
 16 Kills



BEAUTEOUS BUTCH II ALTERNATE SCHEME

