



AAVP-7A1 RAM/RS

AAVP-7A1 近代化改修型

AAVP-7A1 RAM/RS改进型两栖运兵车

PLEASE READ BEFORE OPERATION!

- * Tools recommended as below: (Not included)
Adhesives; Paints; Side Cutters; Sharp Edged Pliers; Modeling Knife; Modeling File; Nippers; Drill; Scissors; Sand Paper; Soft Cloth; Cyanoacrylate Glue.
- * Make sure to read this instruction listed below before assembling.
- * The kit contains the small parts, they can be dangerous if swallowed by mistake, so keep them away from reach of children.
- * Take all parts off carefully and remove the waste parts into the garbage can.
- * Extreme caution and care should be needed for cutting and handling the photo etched parts.
- * Make attention that some parts should be attached the decal when assembled.
- * During assembling, please tear up and throw away the plastic bags, or may cause the dangerous if wearing over head by children's mistake.
- * When using the adhesives and paints, please do not use them in the closed room or near the fire, also must be very careful to protect your eyes, face and clothes.
- * Adult supervised when assembled by children under 14 years old.

装配前请仔细阅读:

- * 推荐使用的模型工具(请自备):
专用模型胶水, 专用模型油漆, 水口剪刀, 长咀钳, 刀片, 锉刀, 镊子钳, 钻, 剪刀, 软布, 砂纸, 瞬间快干胶等。
- * 用水口剪刀或刀片小心切下所有塑胶零件和蚀刻片零件, 不要遗失小零件。
- * 切取蚀刻片时应特别注意防止利边划伤手指。
- * 用模型锉刀小心锉平所有零件表面的注射浇口。
- * 用适量的强力快干胶水粘合蚀刻片零件和金属轴, 切忌过量, 否则可能导致可动零件被粘住。
- * 注意某些零件表面需在装配时同步贴上水贴纸。
- * 制作时应远离幼儿并将包装袋及时收妥, 谨防小孩玩耍而引起意外。



cyanoacrylate glue
强力胶



weight
配重



make hole
钻孔



cut / remove
切除



option
选择



no cement
不涂胶水



decal
贴纸



bend
弯曲



repair
填补

The method to apply the decals

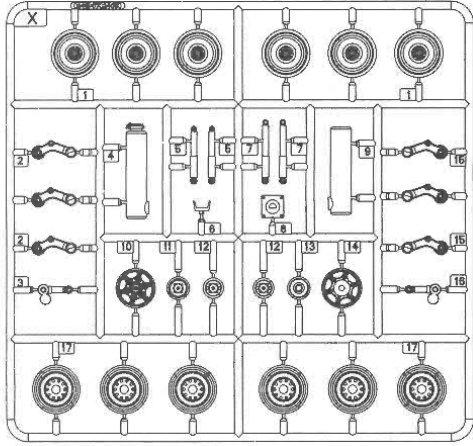
1. Cut off the decal from the decal paper and put it into the warm water 40°C for 10 seconds.
2. Take the decal from the water and put it on a piece of clean cloth.
3. Remove the decal slowly from the paper to the targeted location by a wet finger.
4. Use a piece of dry and soft cloth to press it gently on the decal until it getting dry and no bubble existing.

水贴纸的使用方法:

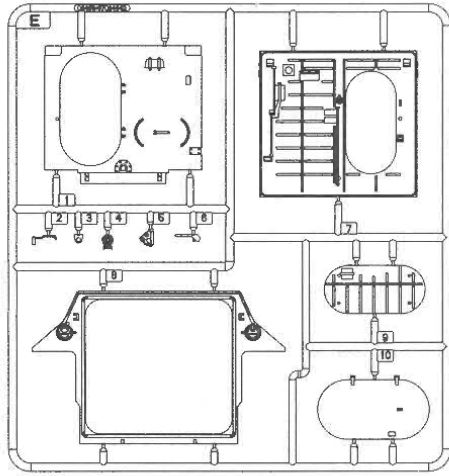
- 一. 把相关的印花从水贴上剪下, 放入40°C左右的温水中浸10秒。
- 二. 然后将印花放在干净的布上。
- 三. 拿上印花纸板, 手指蘸水将印花移到适当的位置。
- 四. 用软干布轻压印花直至水干, 气泡消失。

部品图 Parts

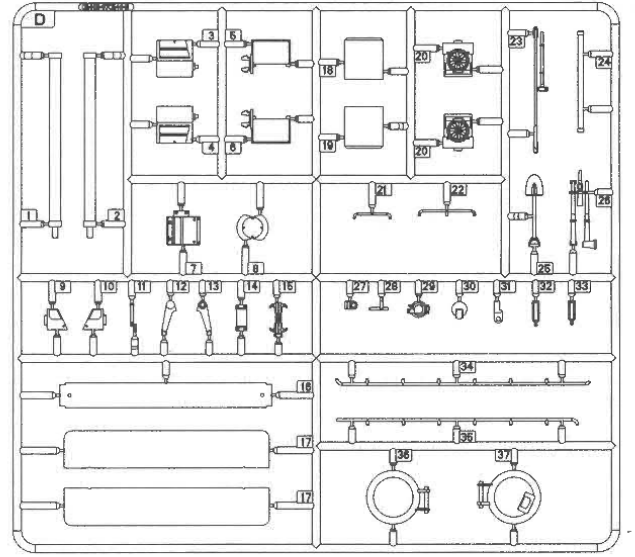
Xx2



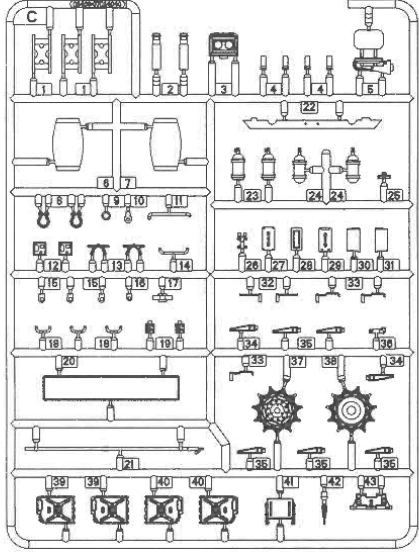
E



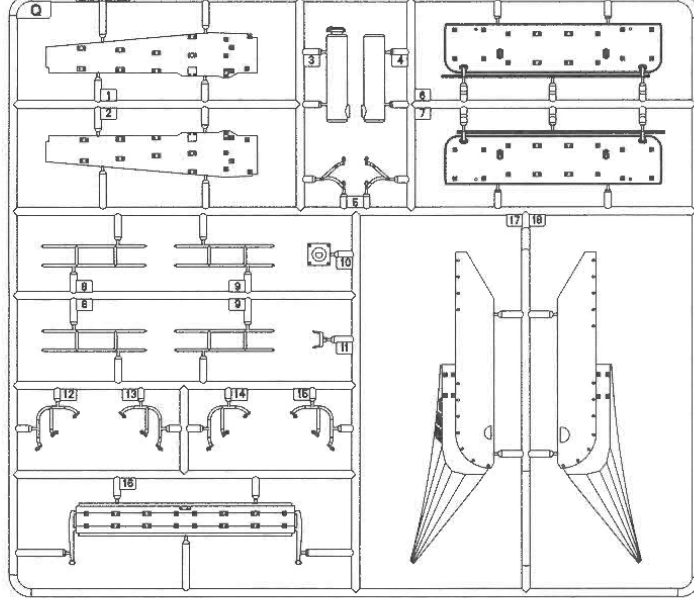
D



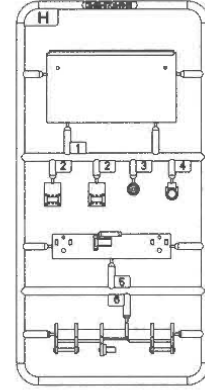
Cx2



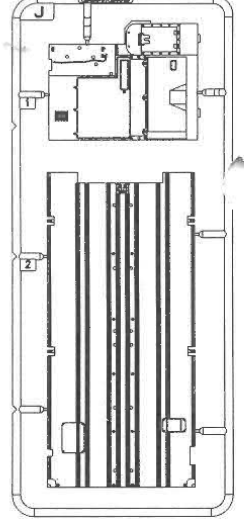
Q



H



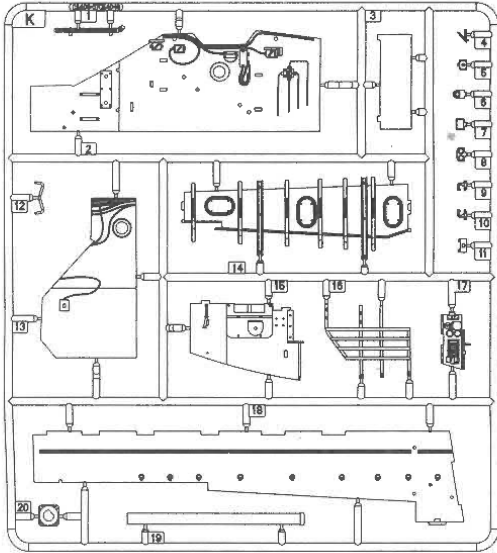
J



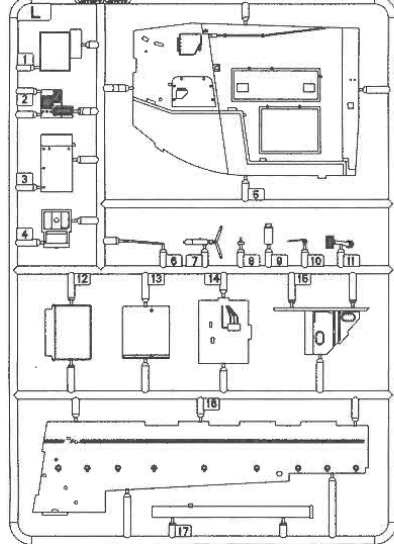
履带
Track x 90



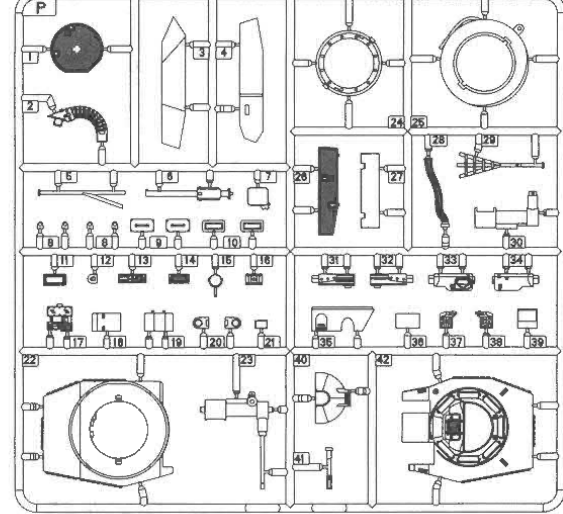
K



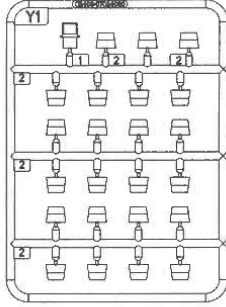
L



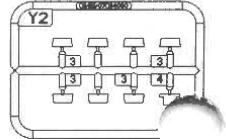
P



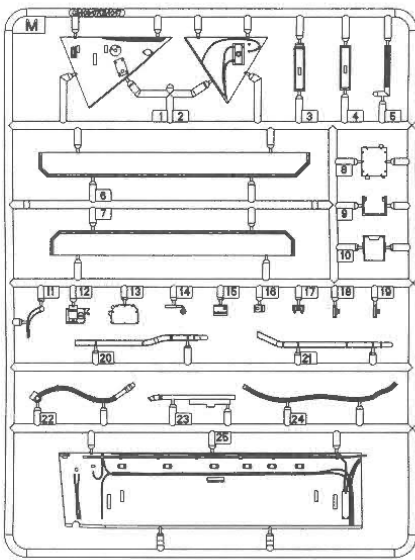
Y1



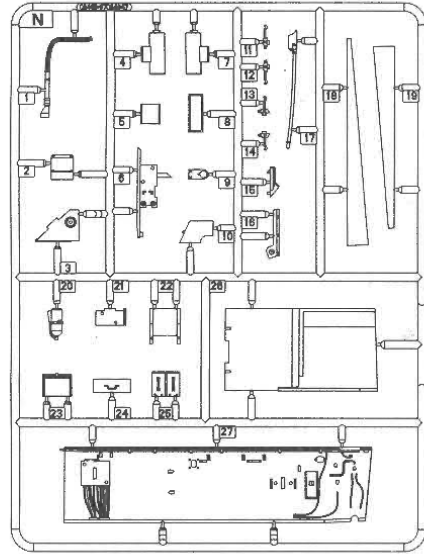
Y2



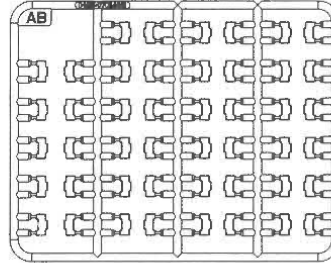
M



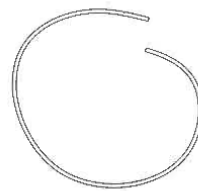
N



ABx4



棉绳 $\varnothing 0.8 \times 50\text{mm}$
Rope



水贴
Decal

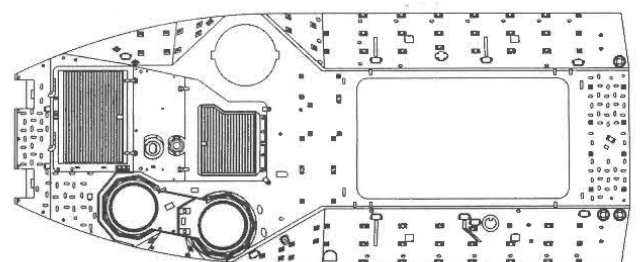
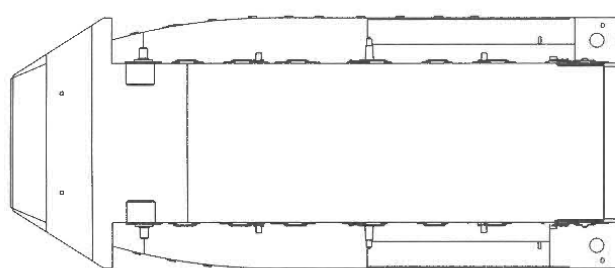
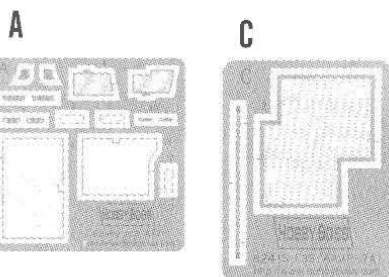
1	2	3	4	5	6	7	8	9	10	11	12	13	14	15
16	17	18	19	20	21	22	23	24	25	26	27	28	29	30
31	32	33	34	35	36	37	38							

1/35 Scale AAVP-7A1 RAM/RS
HobbyBoss NO.82415

蚀刻片
Photo etched parts(PE)

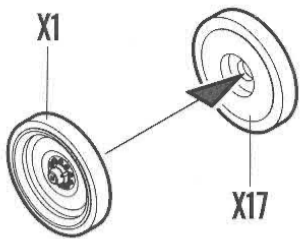
车底
Lower hull

车面
Upper hull



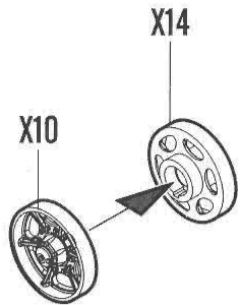
1
STEP

负重轮
Road wheel



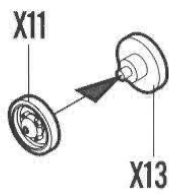
制作12组
Make twelve

诱导轮
Idler wheel



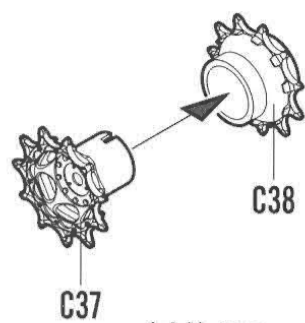
制作2组
Make two

托带轮
Support wheel



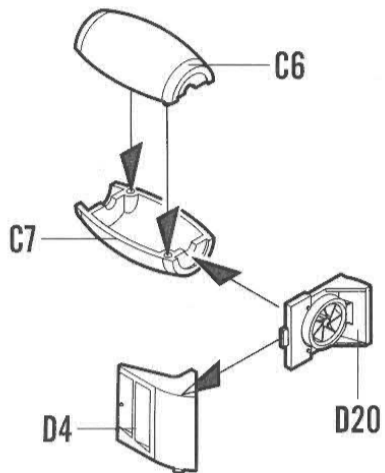
制作2组
Make two

主动轮
Drive wheel

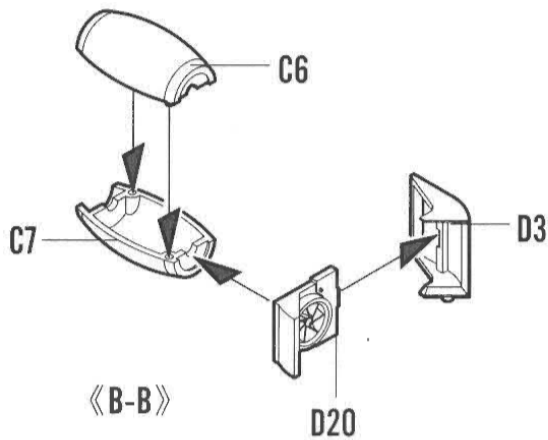


制作2组
Make two

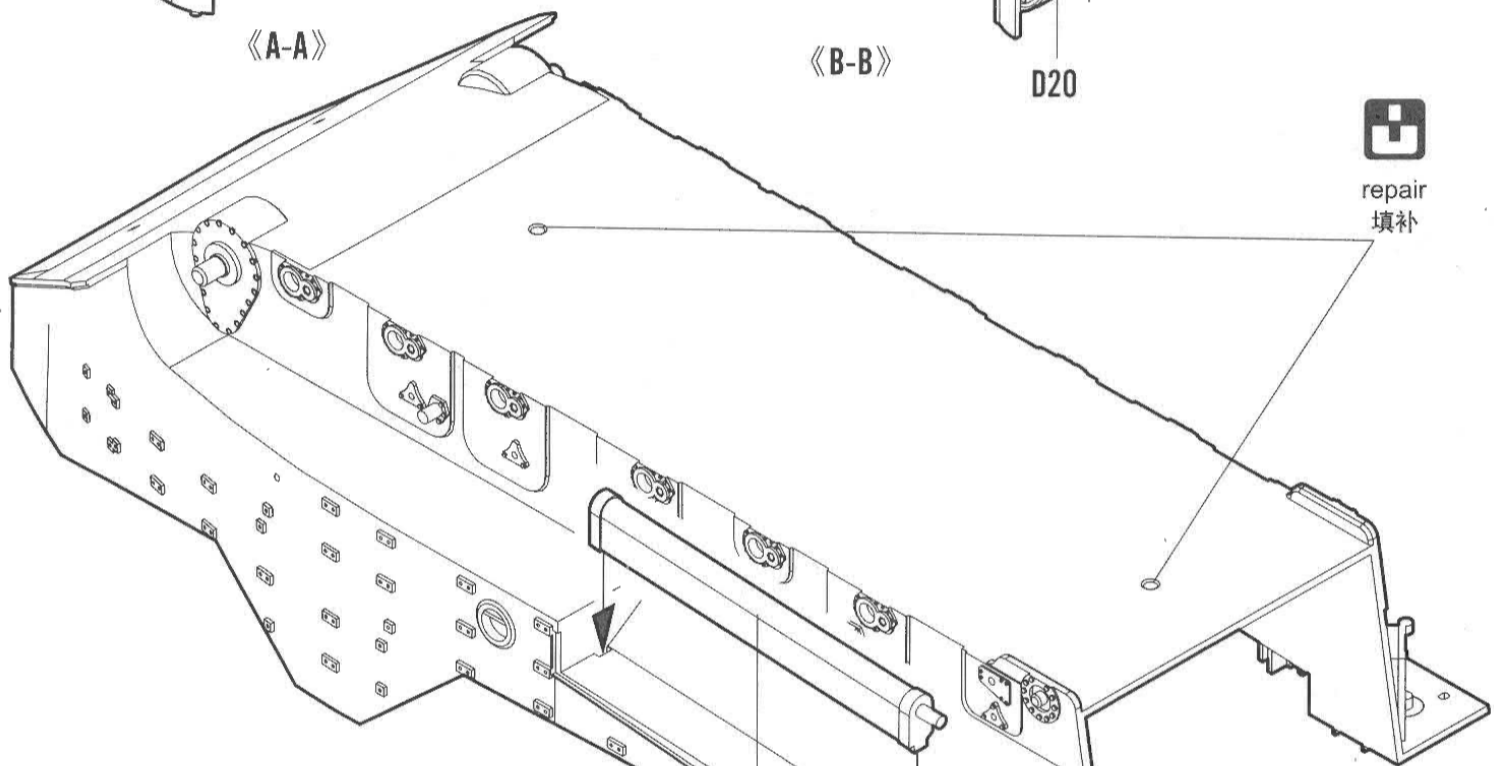
2
STEP



《A-A》



《B-B》



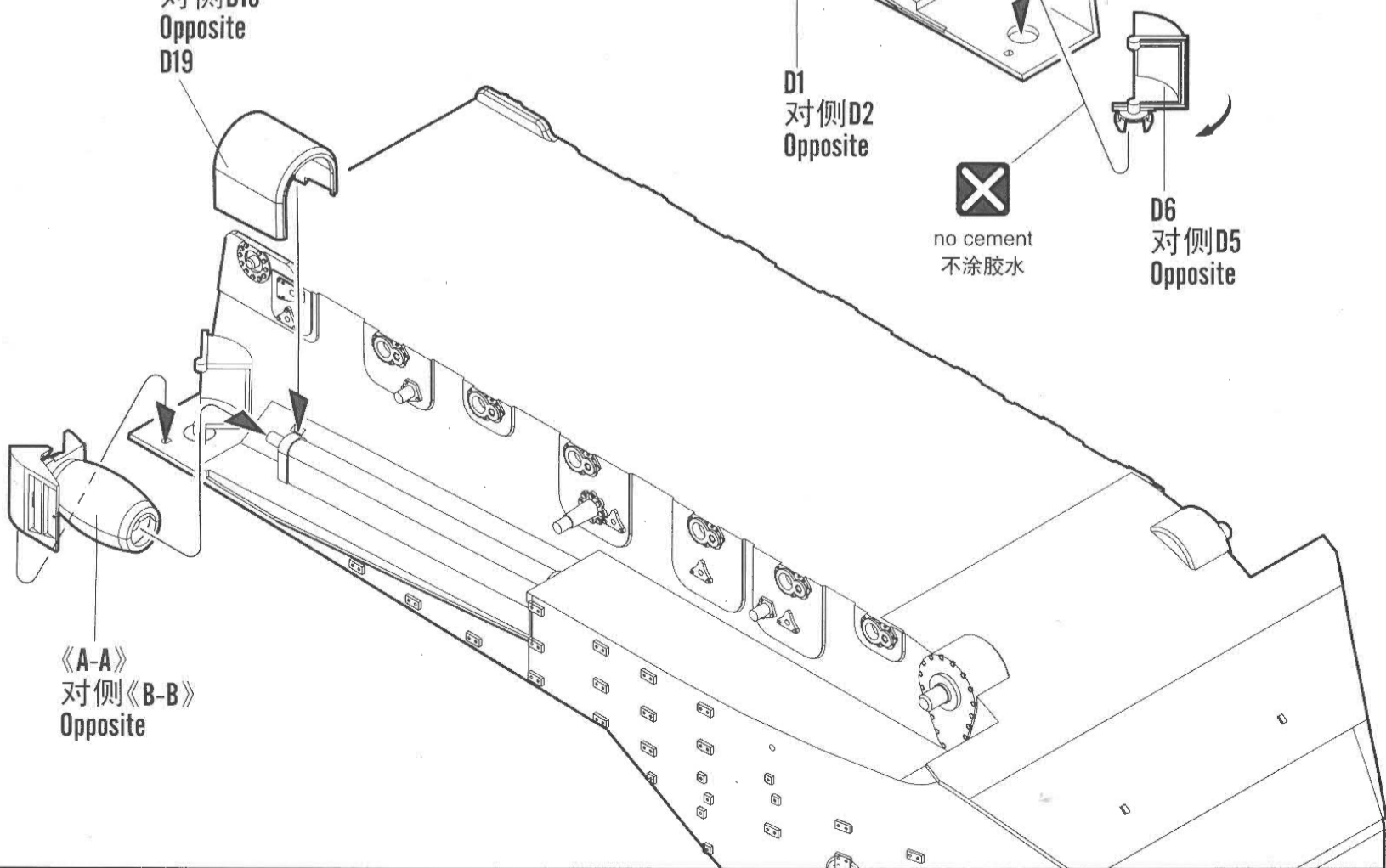
repair
填补

对侧D18
Opposite
D19

D1
对侧D2
Opposite

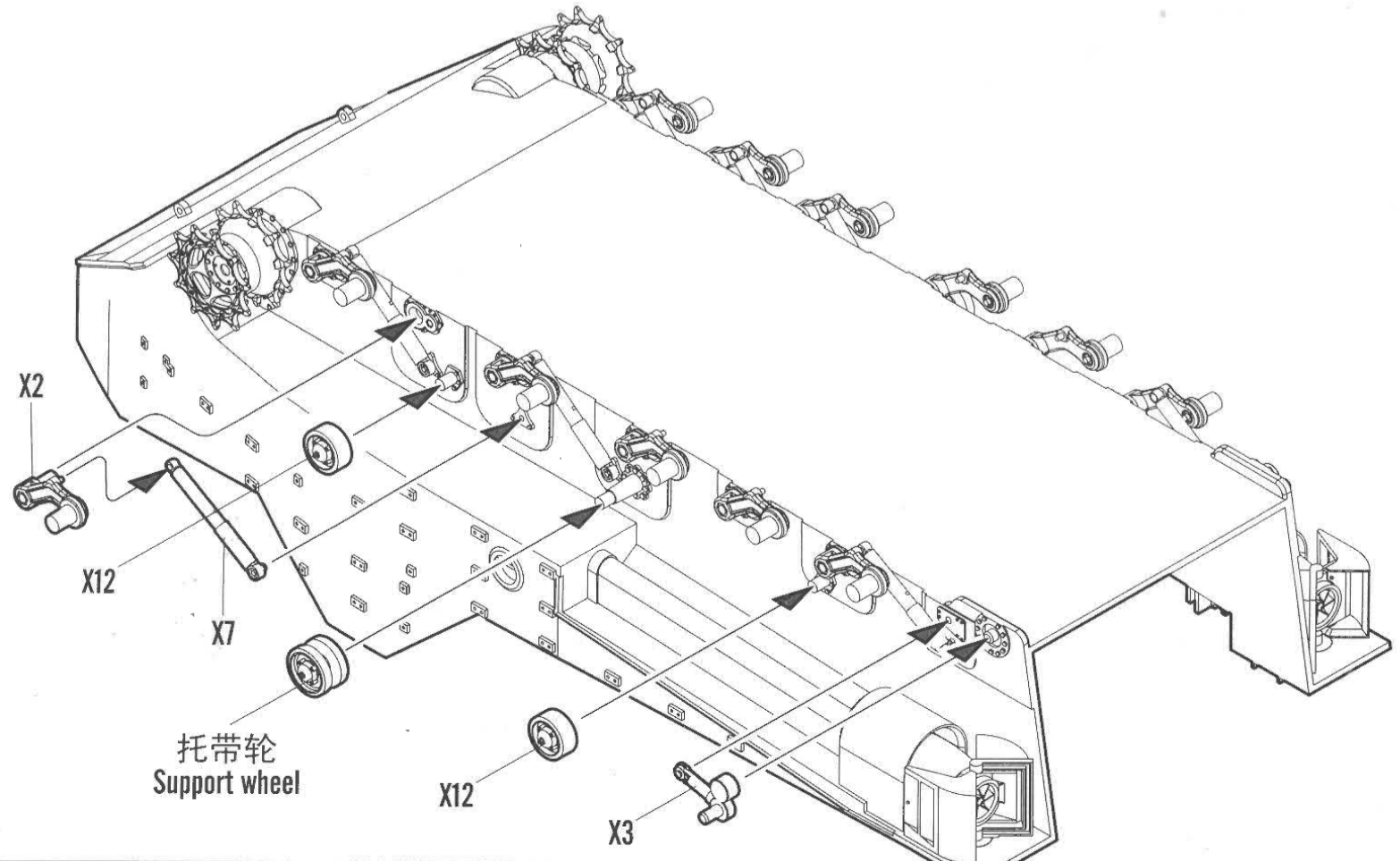
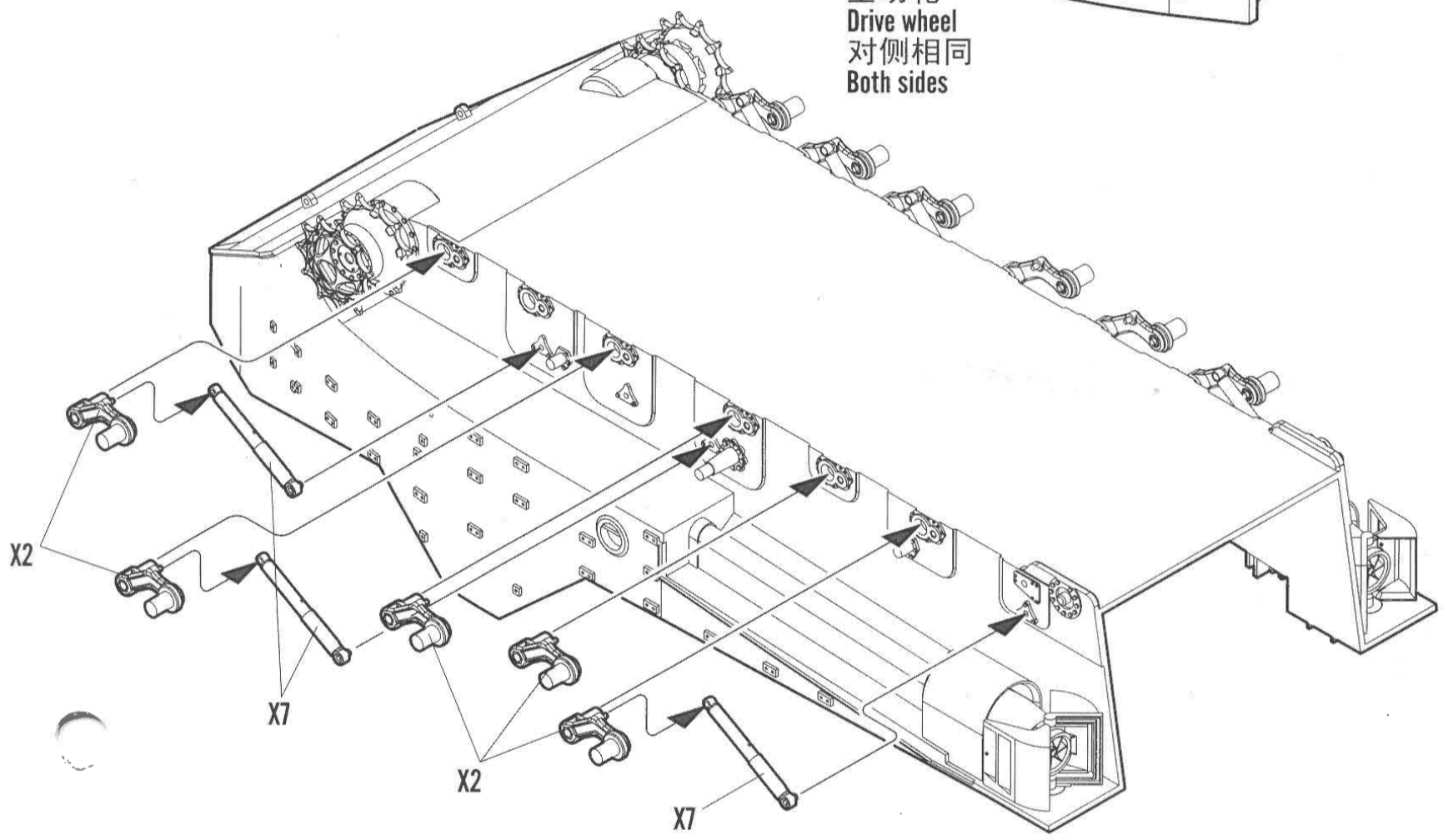
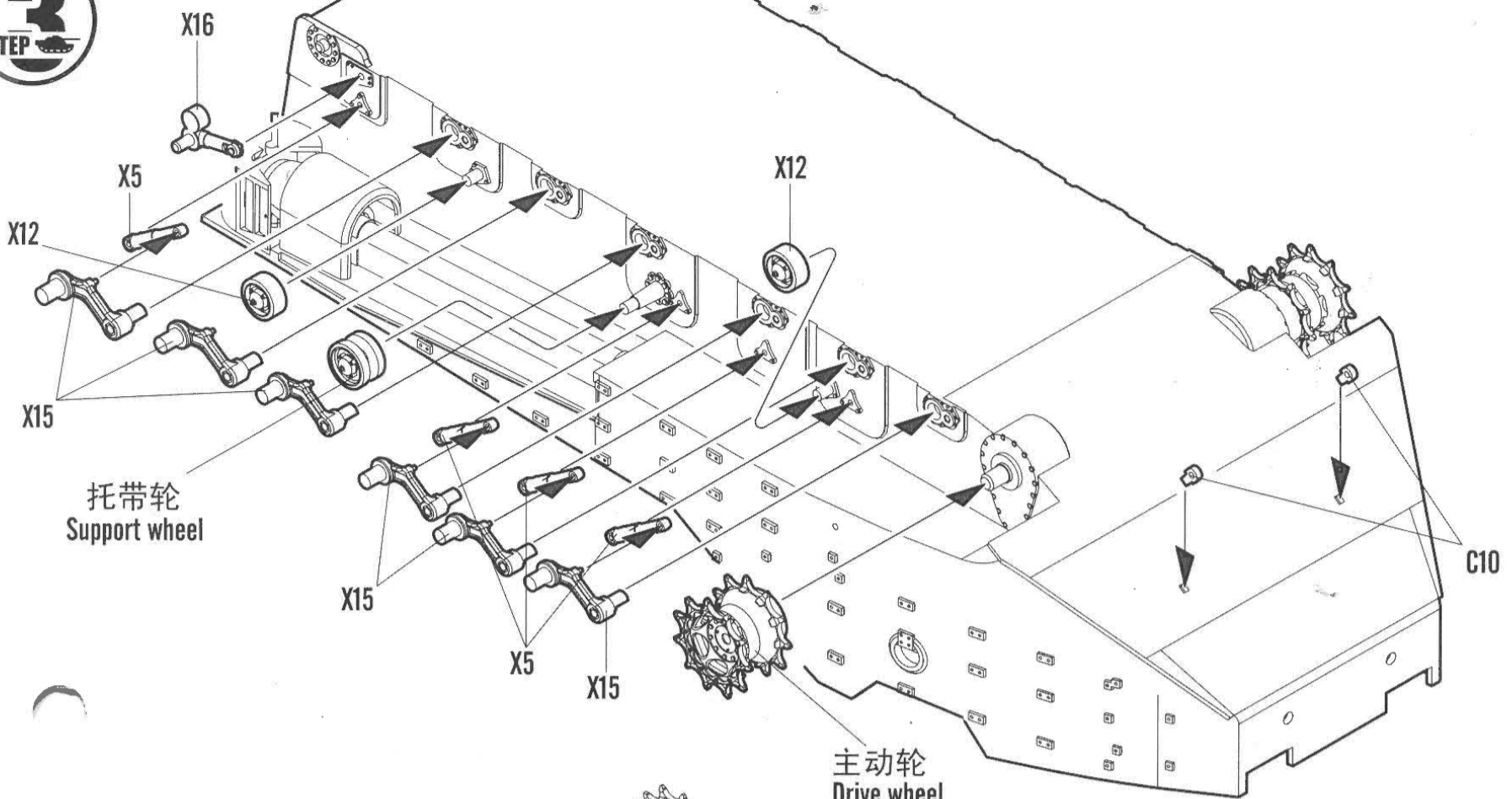
no cement
不涂胶水

D6
对侧D5
Opposite



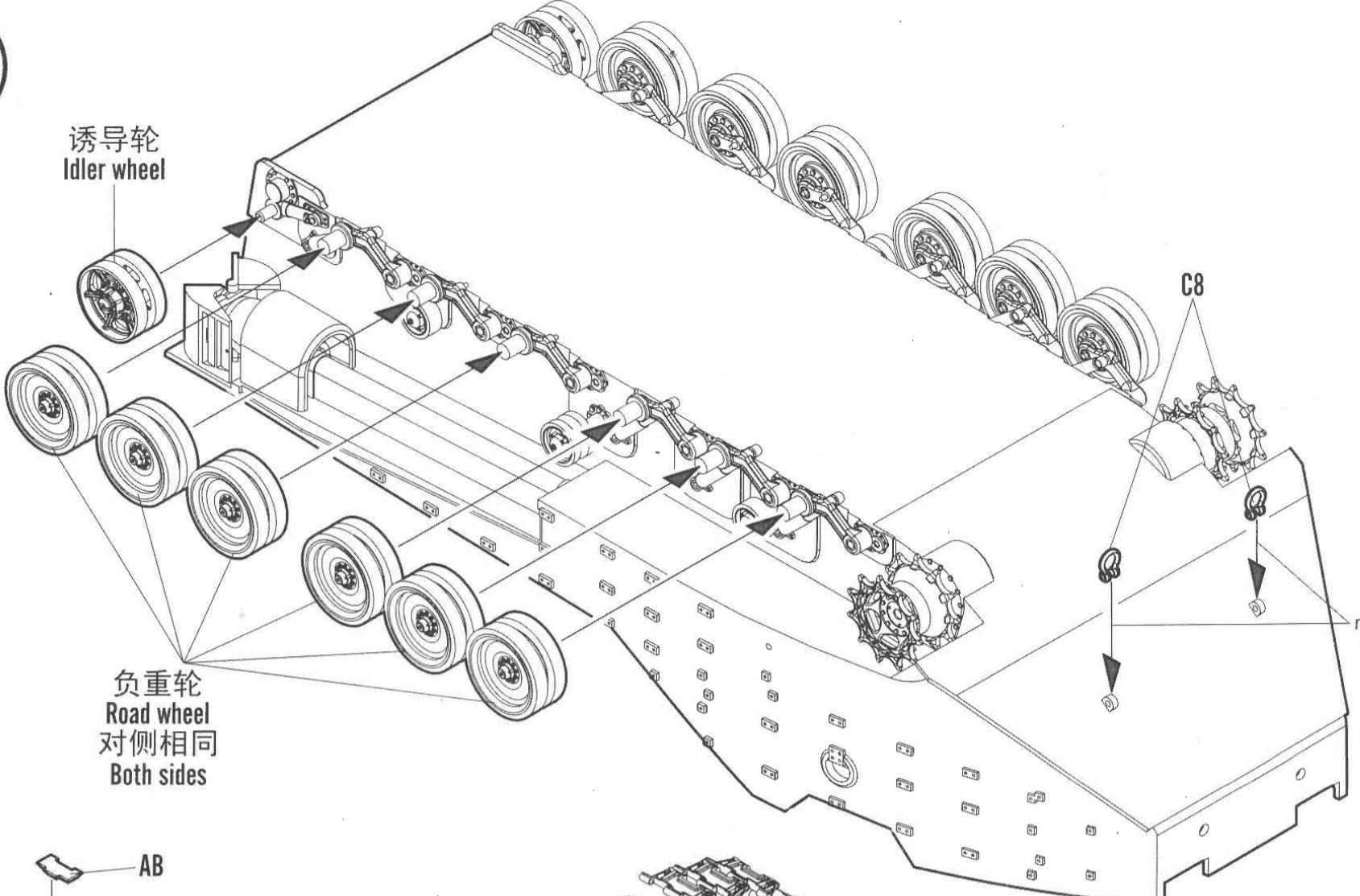
《A-A》
对侧《B-B》
Opposite

3
STEP

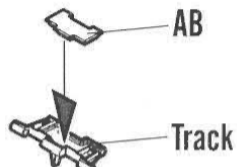




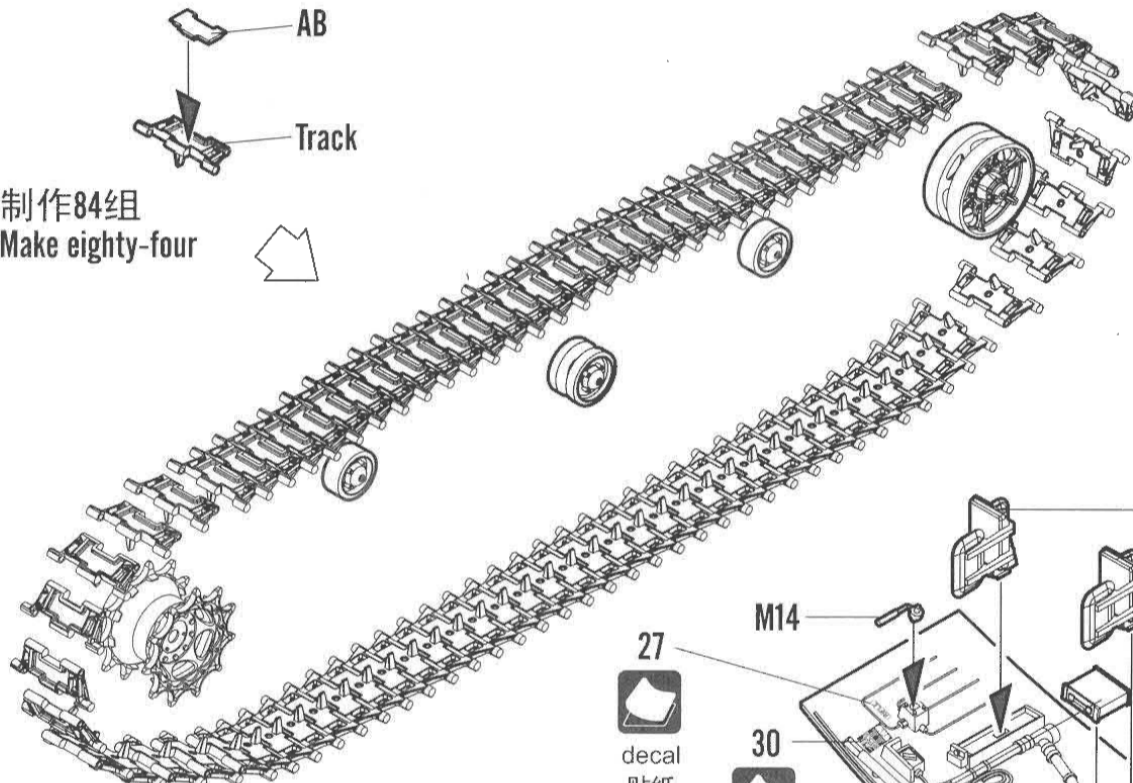
诱导轮
Idler wheel



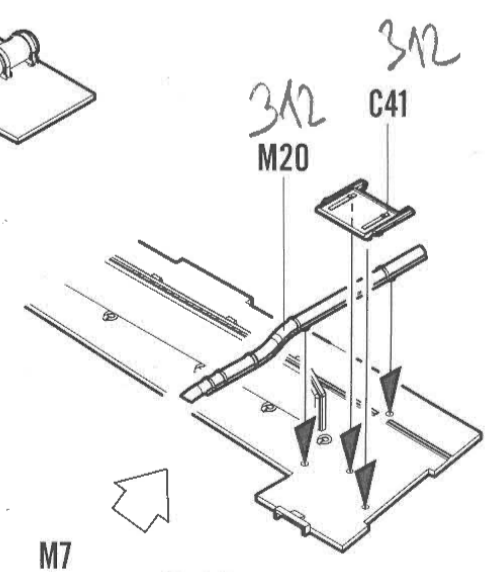
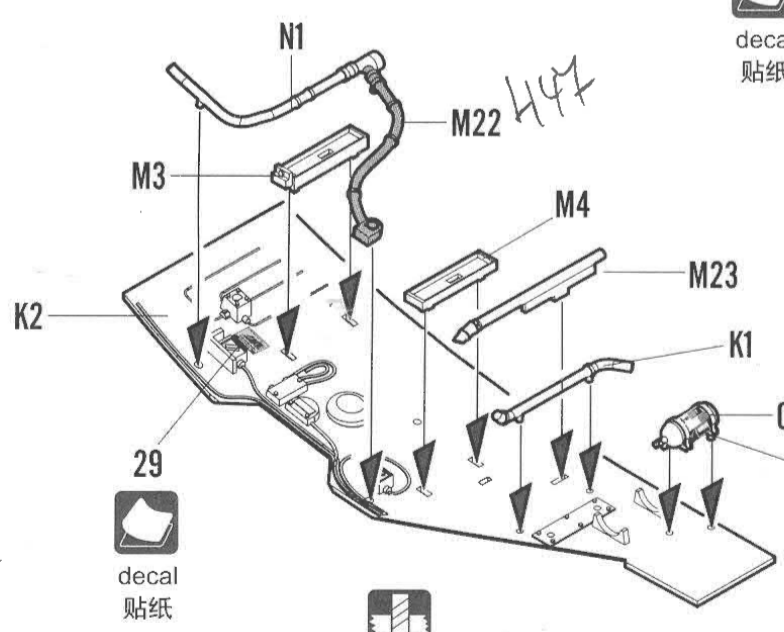
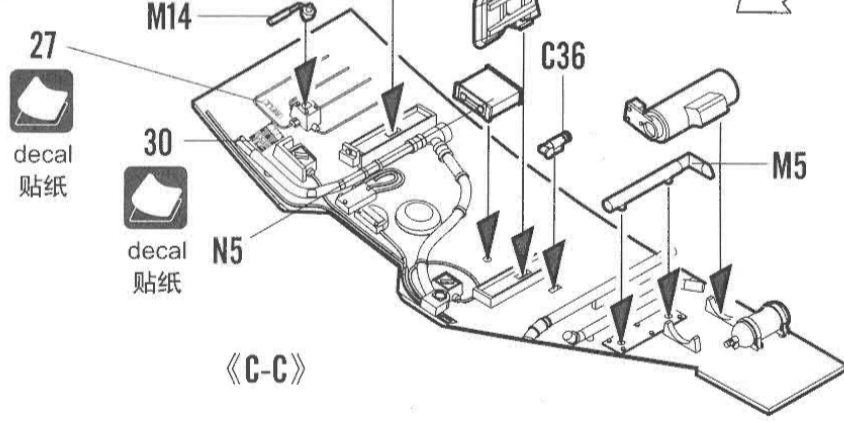
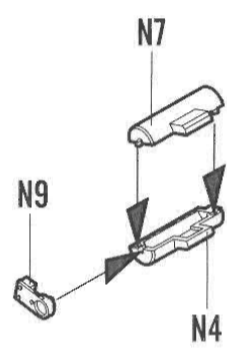
no cement
不涂胶水



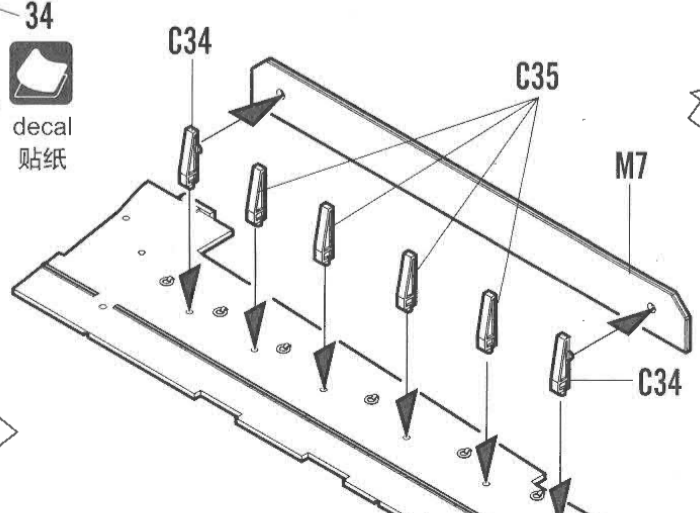
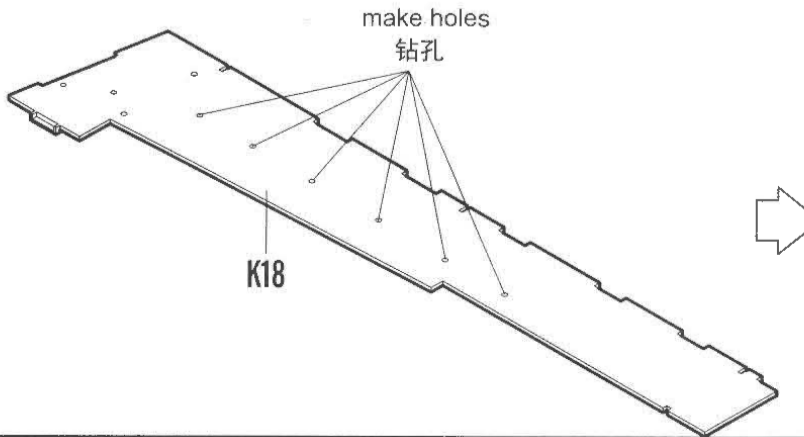
制作84组
Make eighty-four



制作2条
Make two



make holes
钻孔





《C-C》

N17

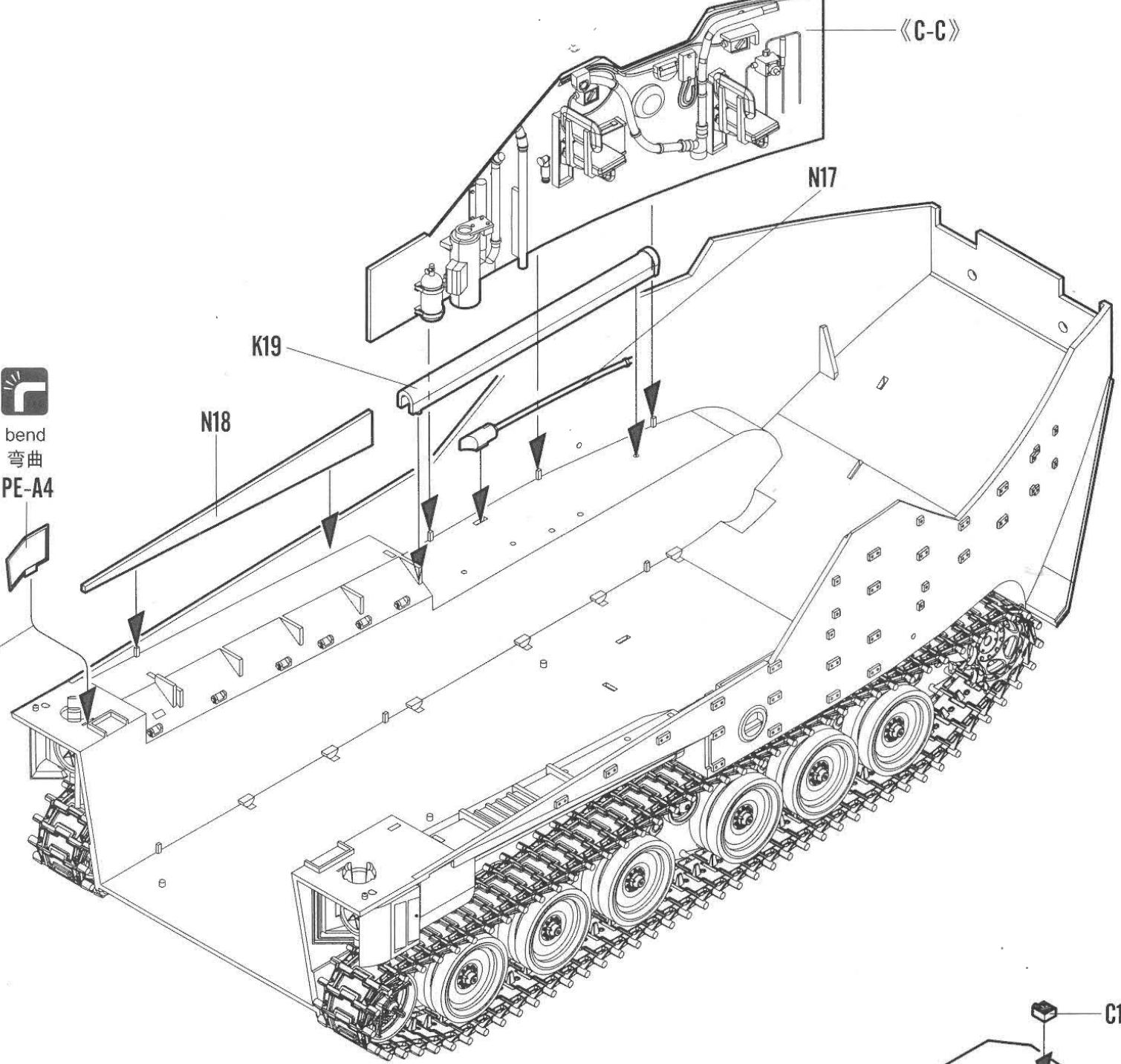
K19

N18

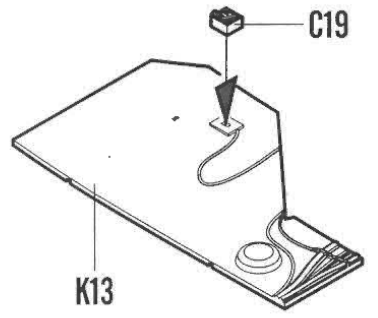


bend
弯曲
PE-A4

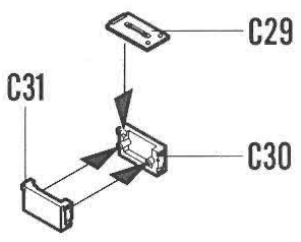
cyanoacrylate glue
强力胶



C19



《F-F》

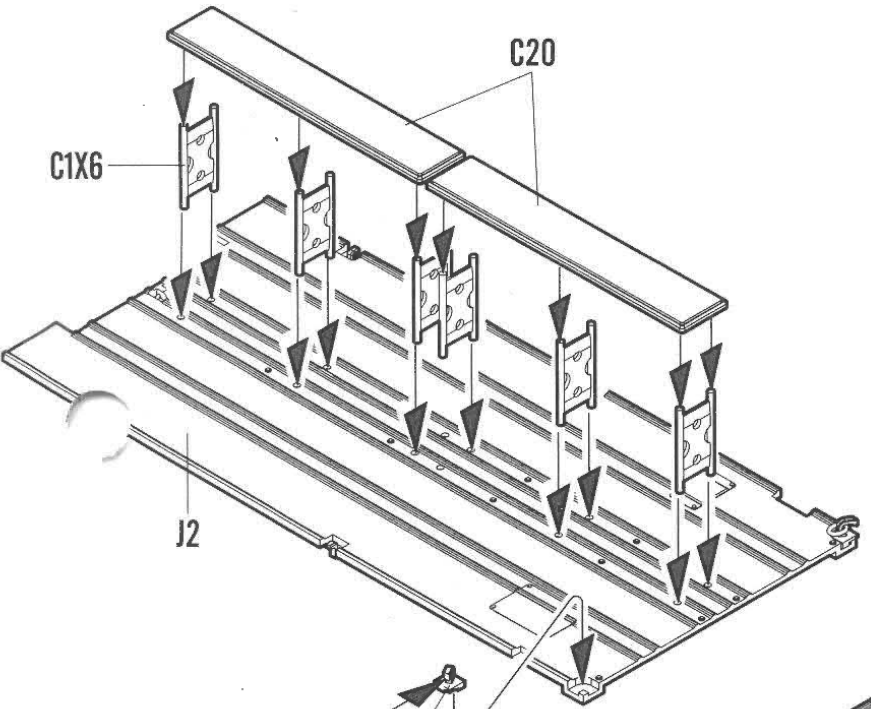


《E-E》
制作2组
Make two

C1X6

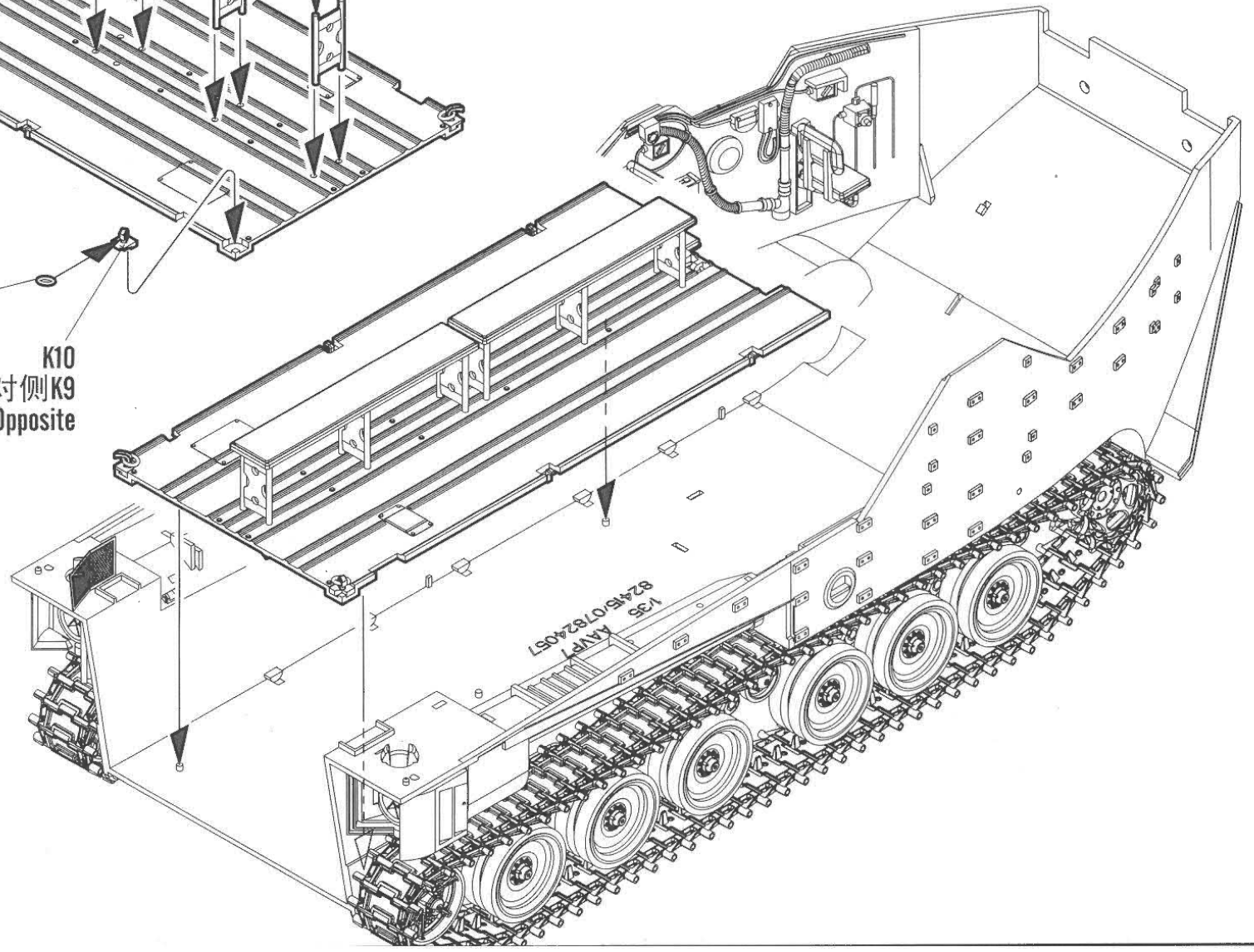
C20

J2



C9
对侧相同
Both sides

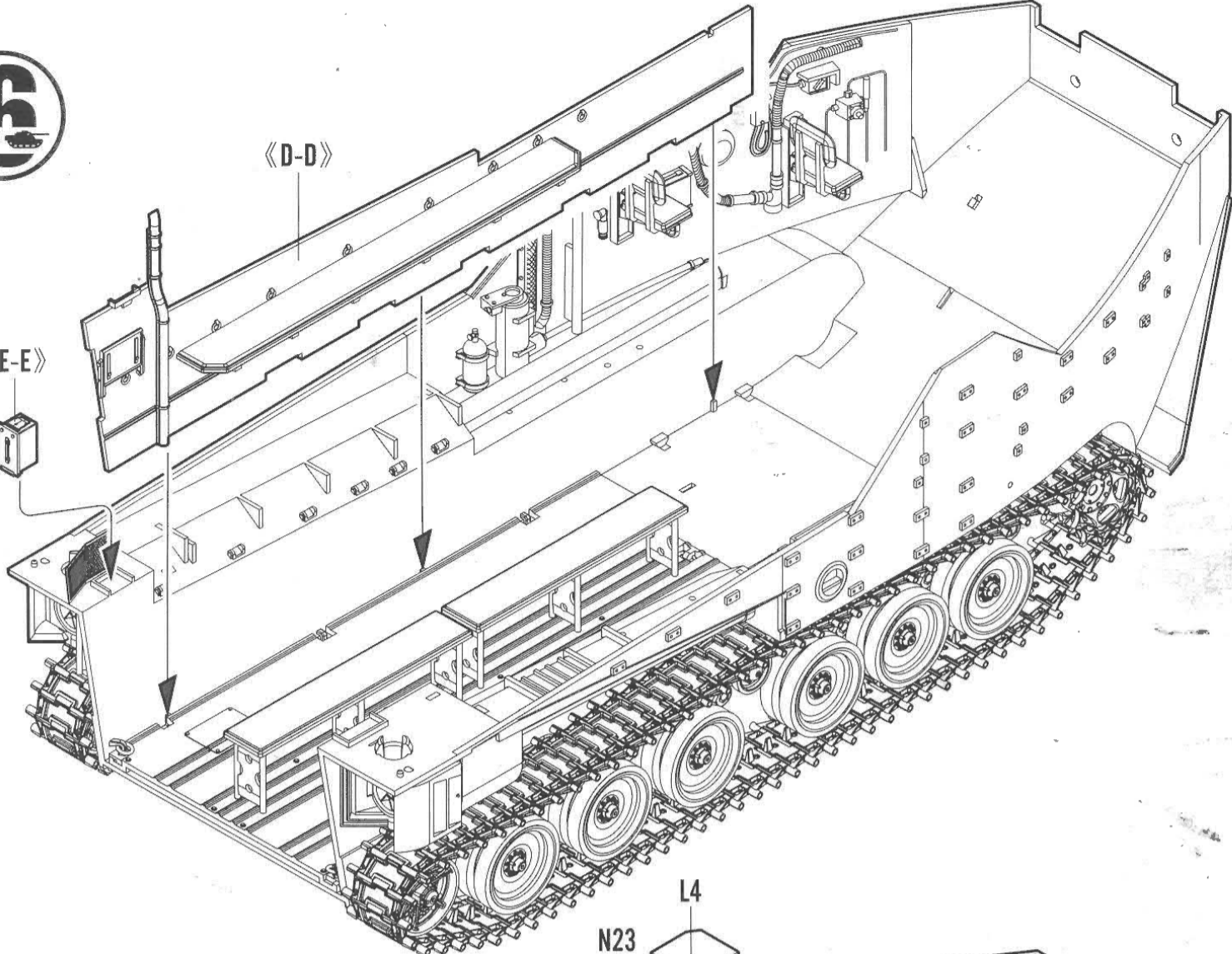
K10
对侧K9
Opposite





《D-D》

《E-E》



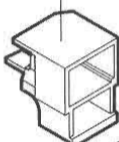
N24



N8



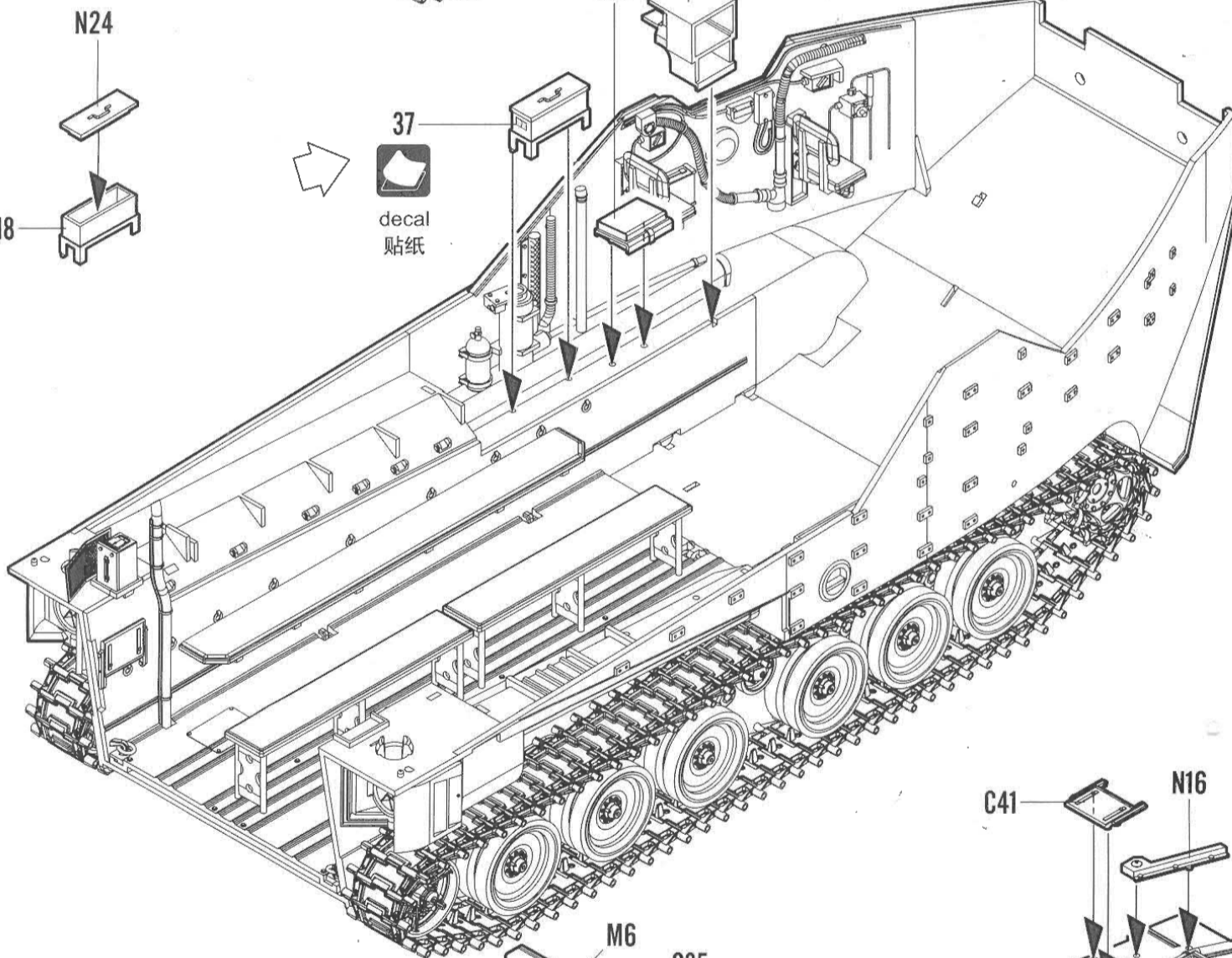
N23



L4



decal
贴纸



make holes
钻孔

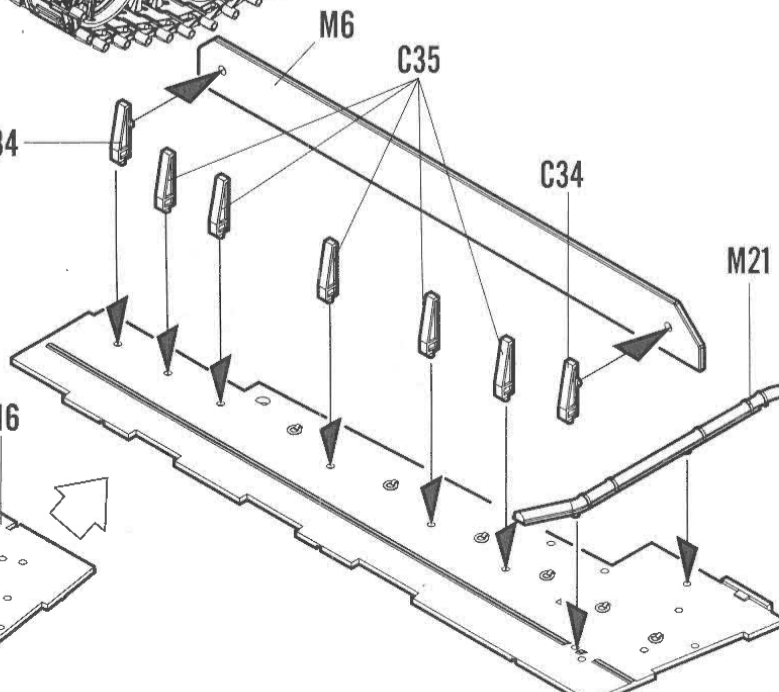
C34

C35

C34

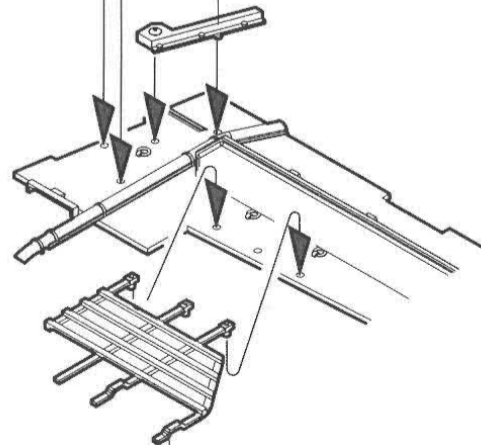
M21

L16



C41

N16



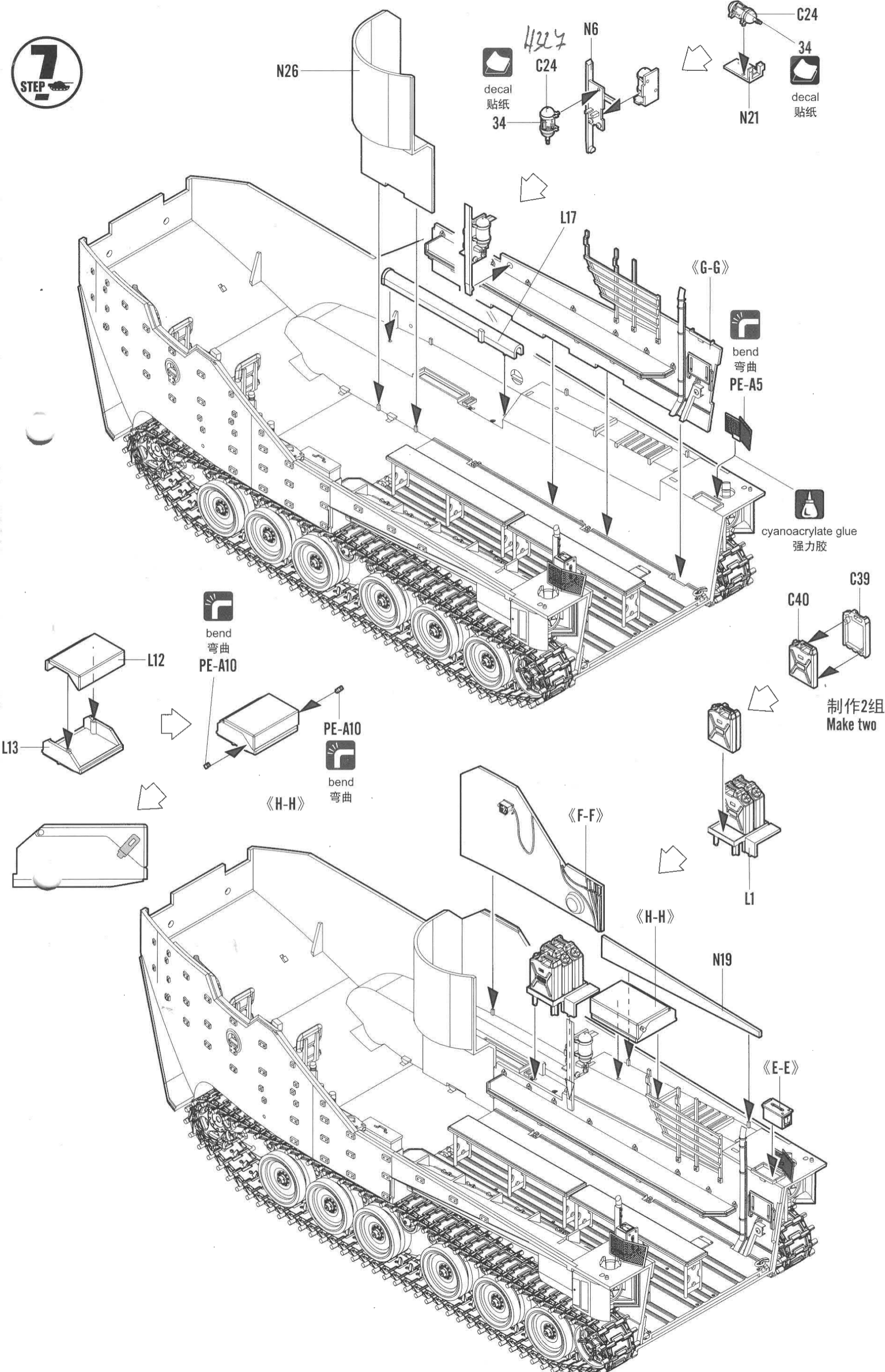
K16



make holes
钻孔

《G-G》

7
STEP



N26

424
C24
34
decal
贴纸

N6

C24

34

decal
贴纸

N21

L17

$\langle\langle G-G \rangle\rangle$



bend
弯曲
PE-A5



cyanoacrylate glue
强力胶



bend
弯曲
PE-A10

L12

L13

PE-A10



bend
弯曲

$\langle\langle H-H \rangle\rangle$

C39

C40

制作2组
Make two

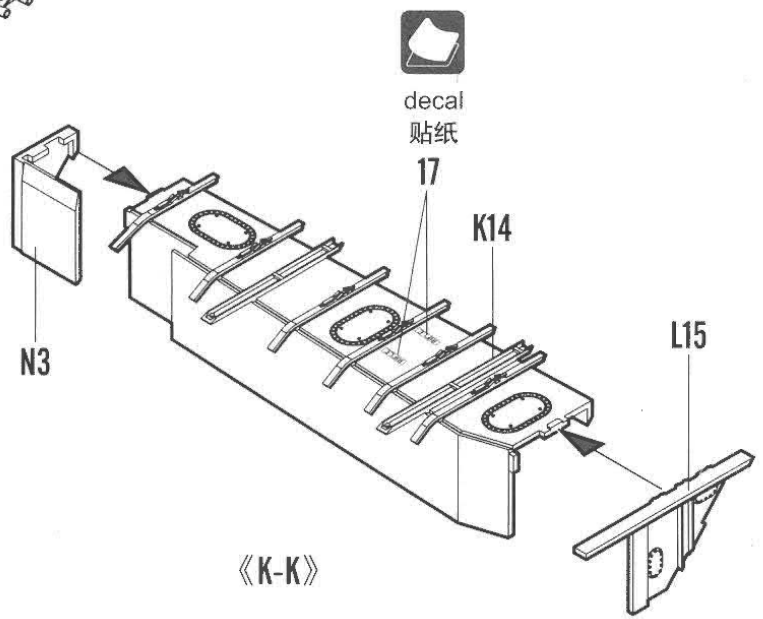
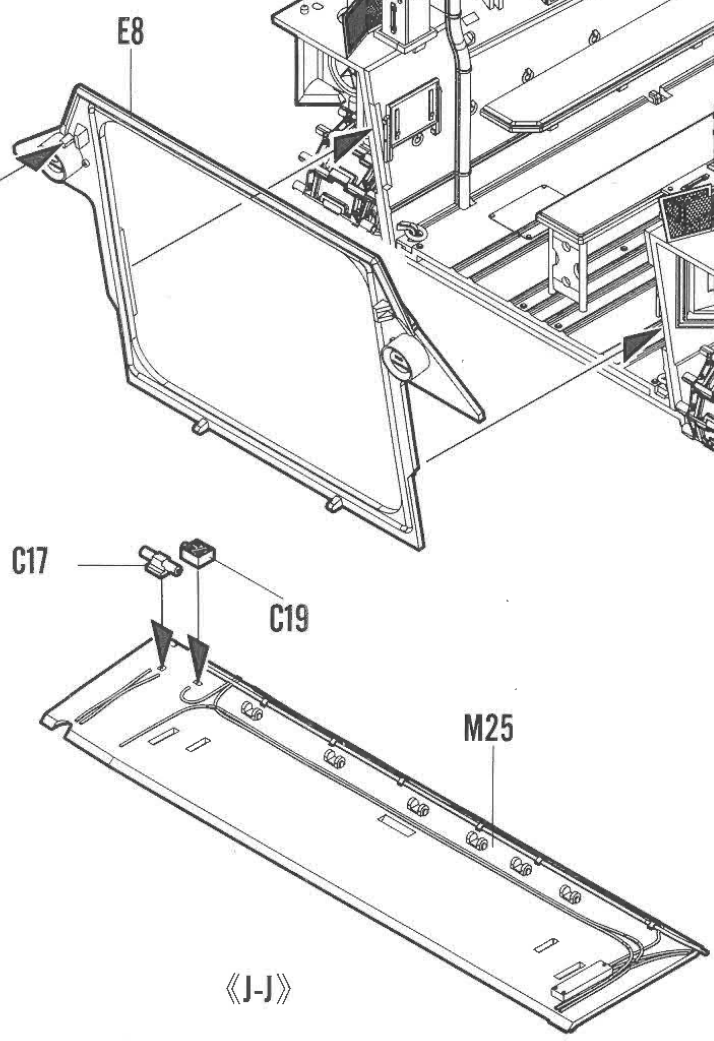
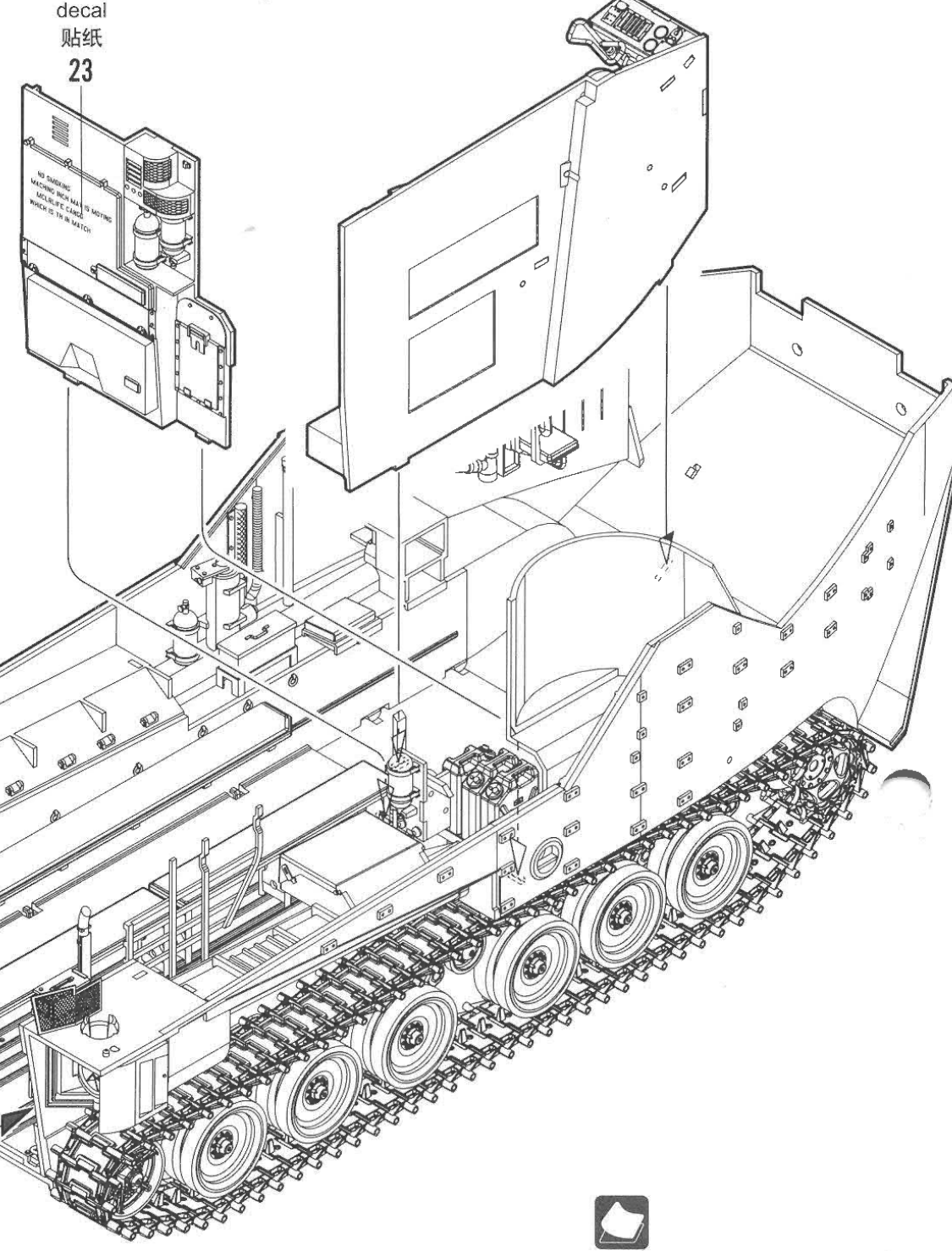
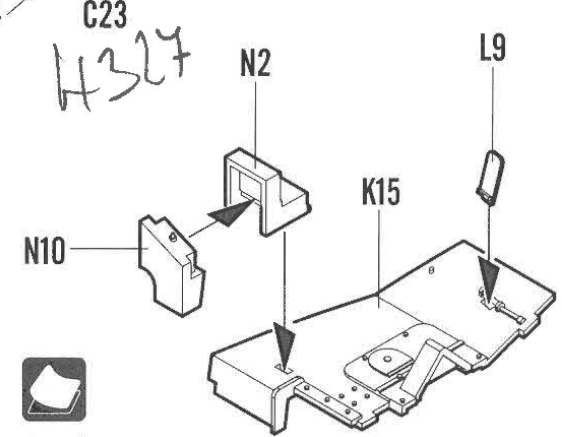
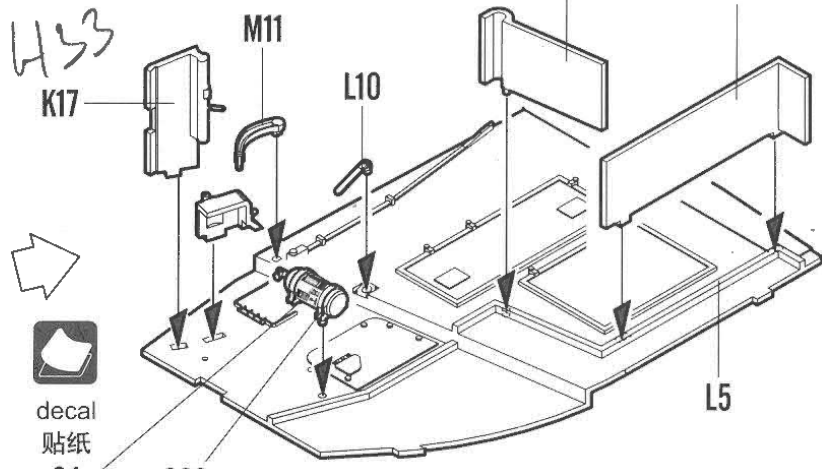
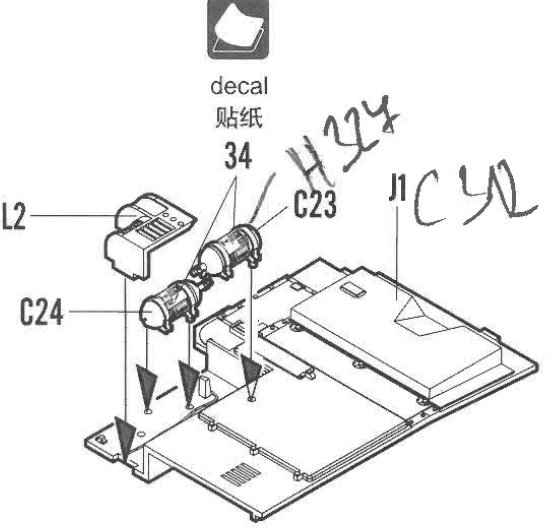
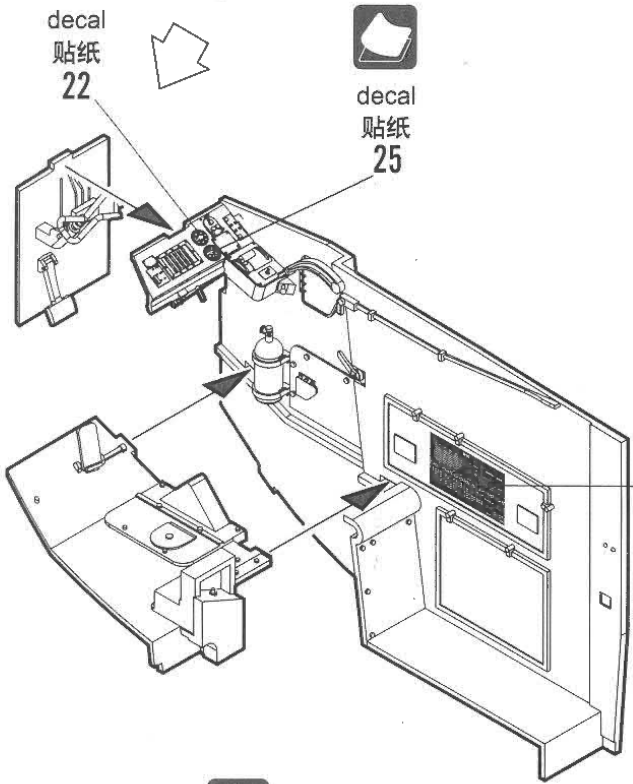
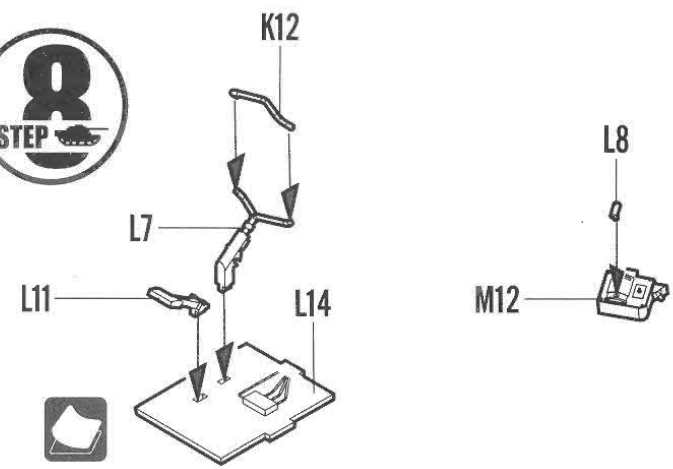
$\langle\langle F-F \rangle\rangle$

L1

$\langle\langle H-H \rangle\rangle$

N19

$\langle\langle E-E \rangle\rangle$



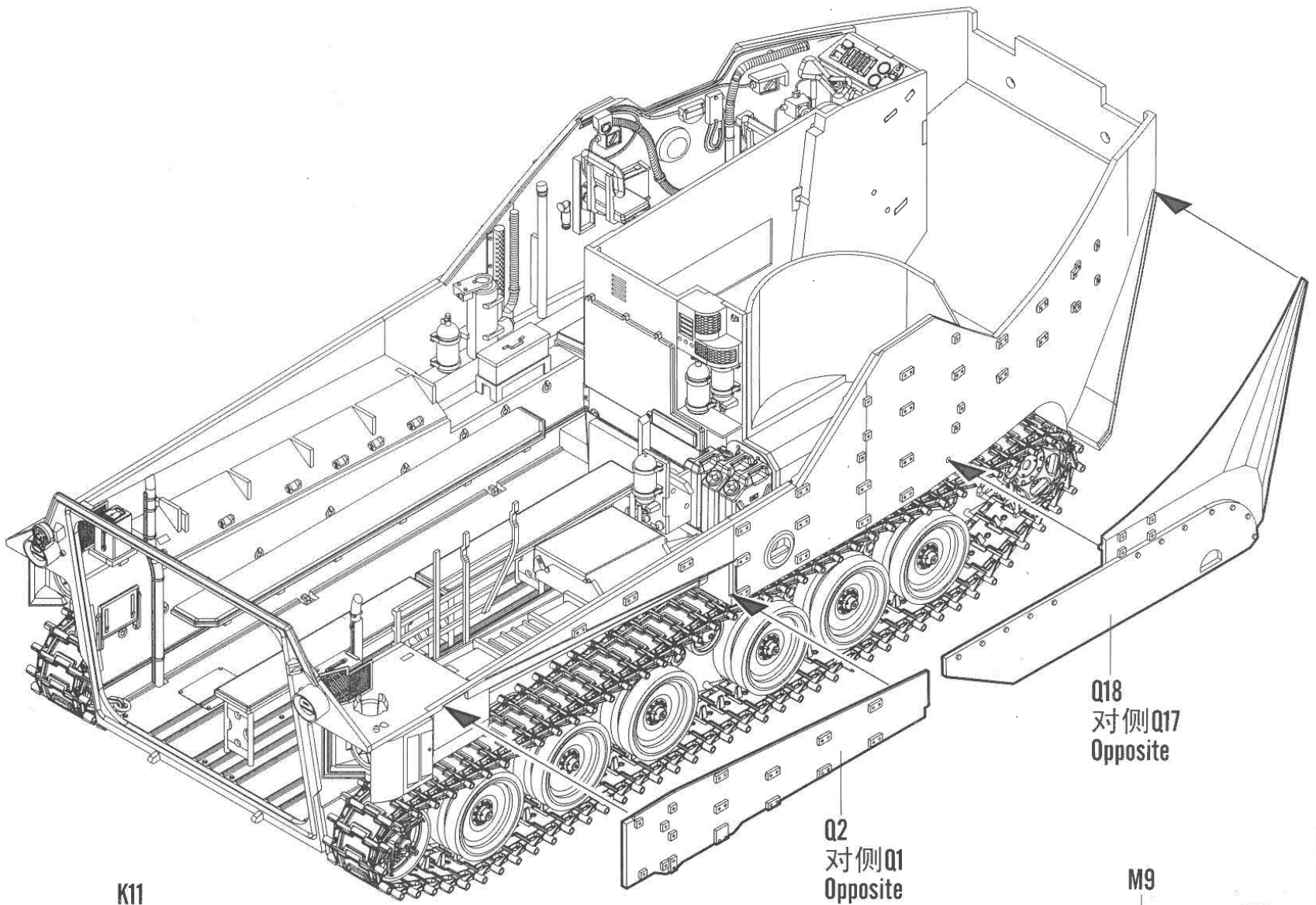
H33

H327

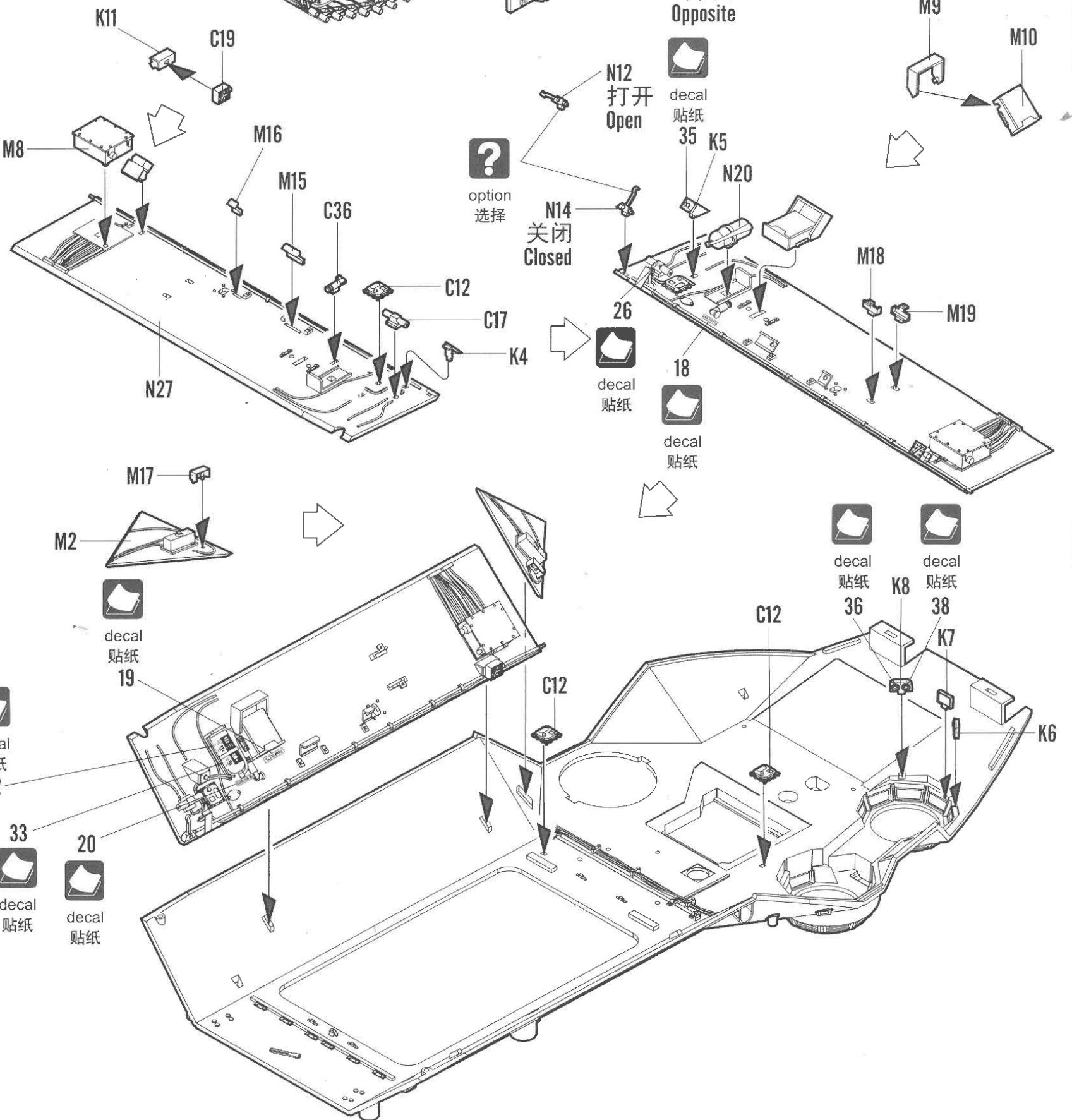
H324

J1 C42

9
STEP



10
STEP

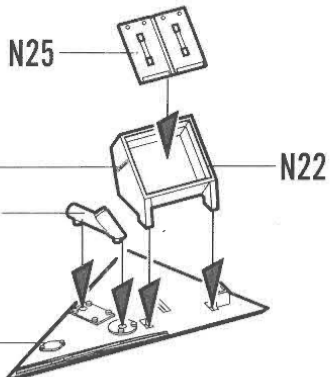


11
STEP



decal
贴纸

31

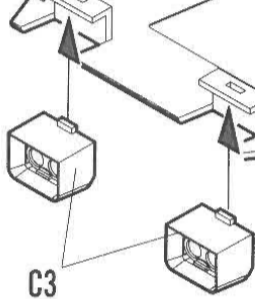


option
选择

N13
关闭
Closed

N11
打开
Open

M13



C3

《K-K》

Y2x7

Y2x7

Y1

M24 447

C13

D28

C13

D24

C13

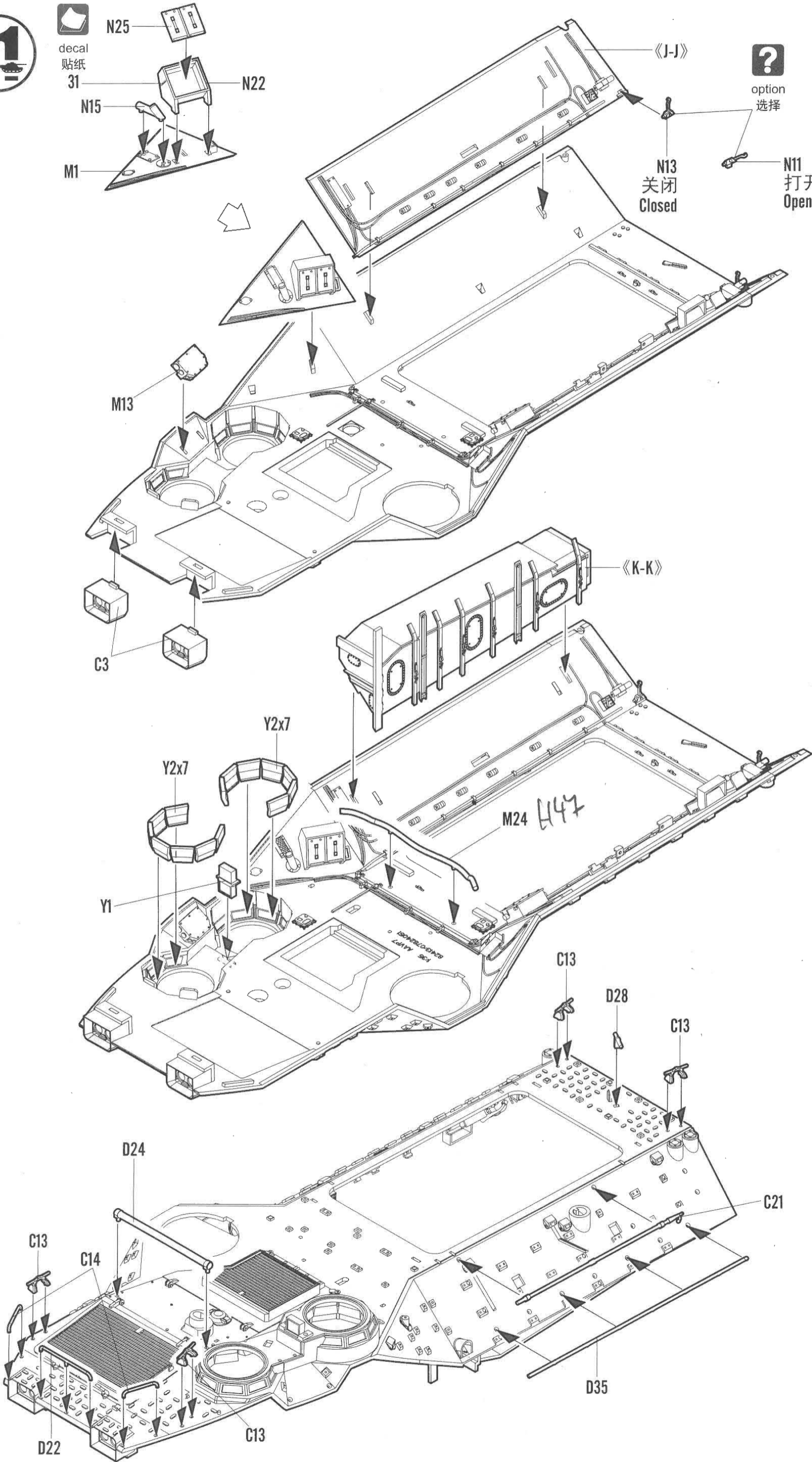
C14

D22

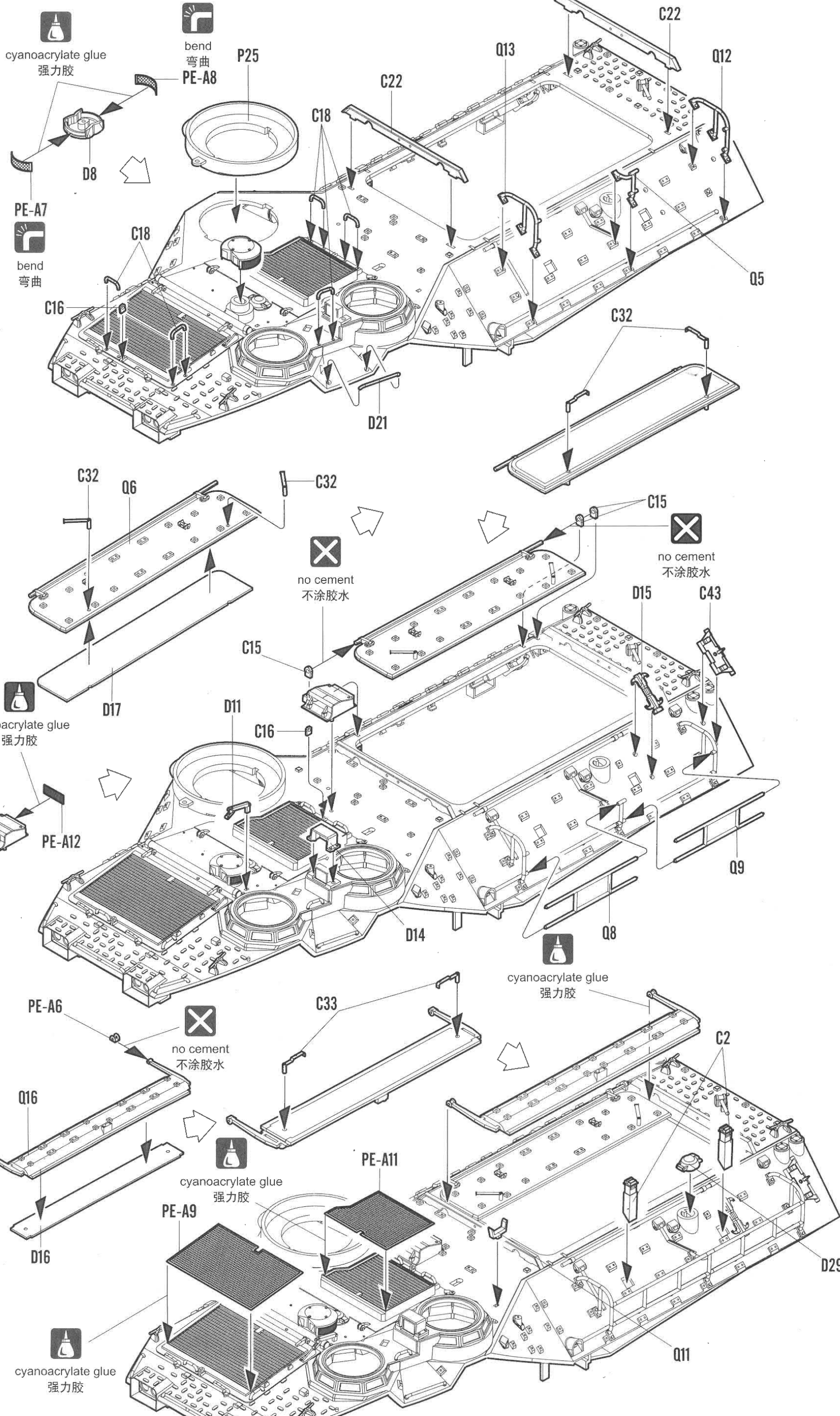
C13

D35

C21



12
STEP



cyanoacrylate glue
强力胶

bend
弯曲
PE-A8

PE-A7
bend
弯曲

cyanoacrylate glue
强力胶

no cement
不涂胶水

PE-A6
bend
弯曲

cyanoacrylate glue
强力胶

no cement
不涂胶水

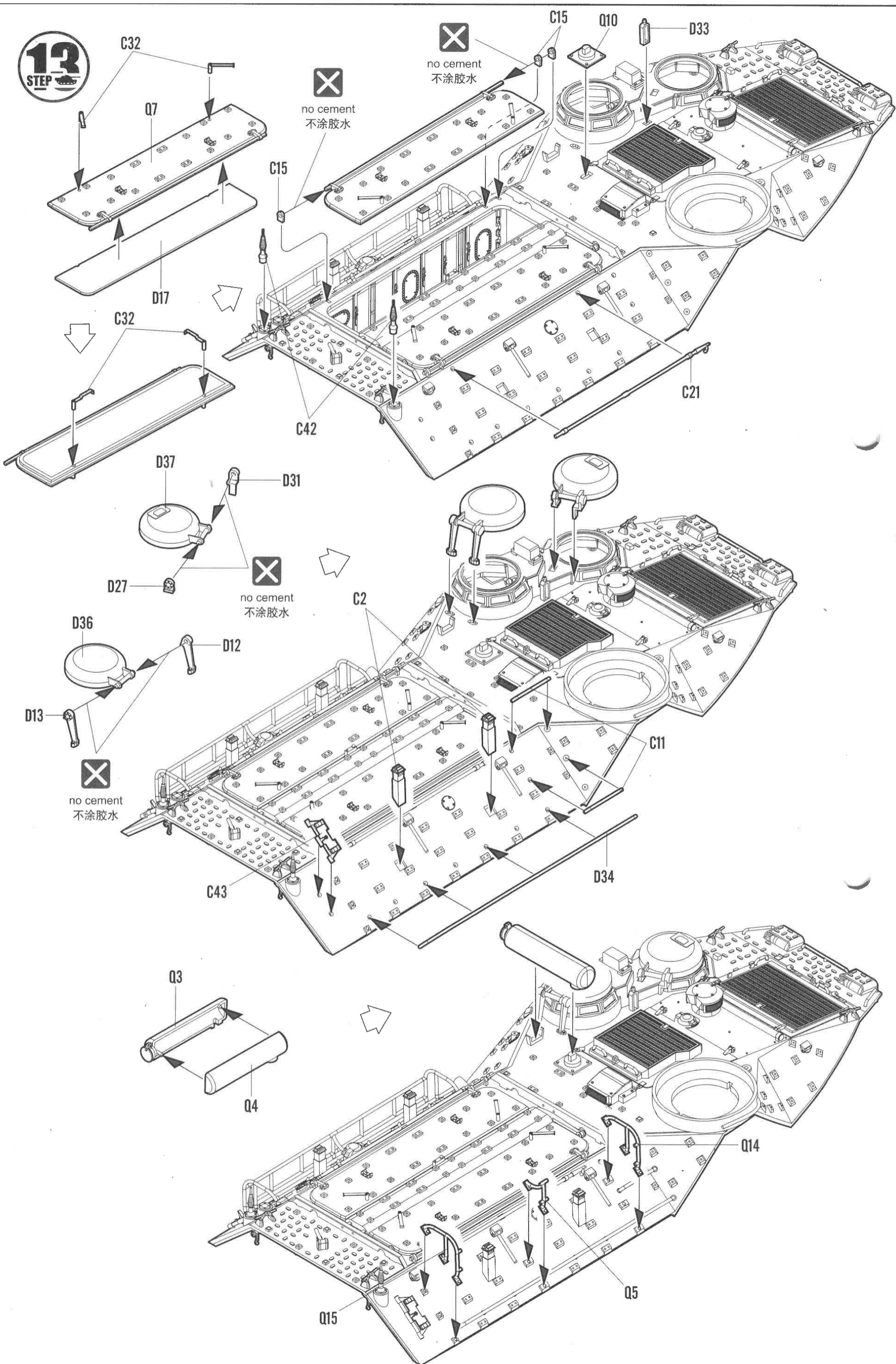
no cement
不涂胶水

cyanoacrylate glue
强力胶

no cement
不涂胶水

cyanoacrylate glue
强力胶

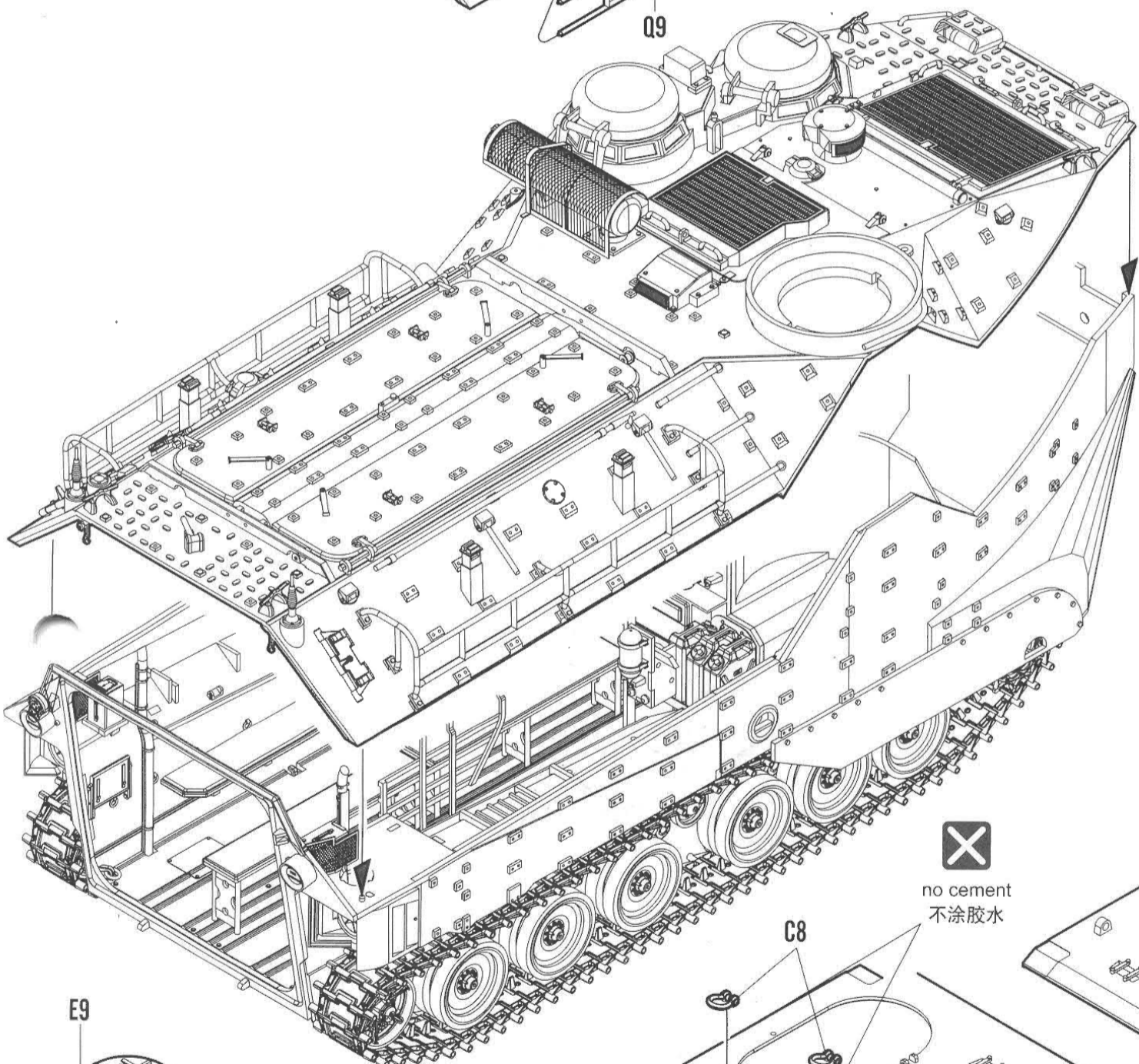
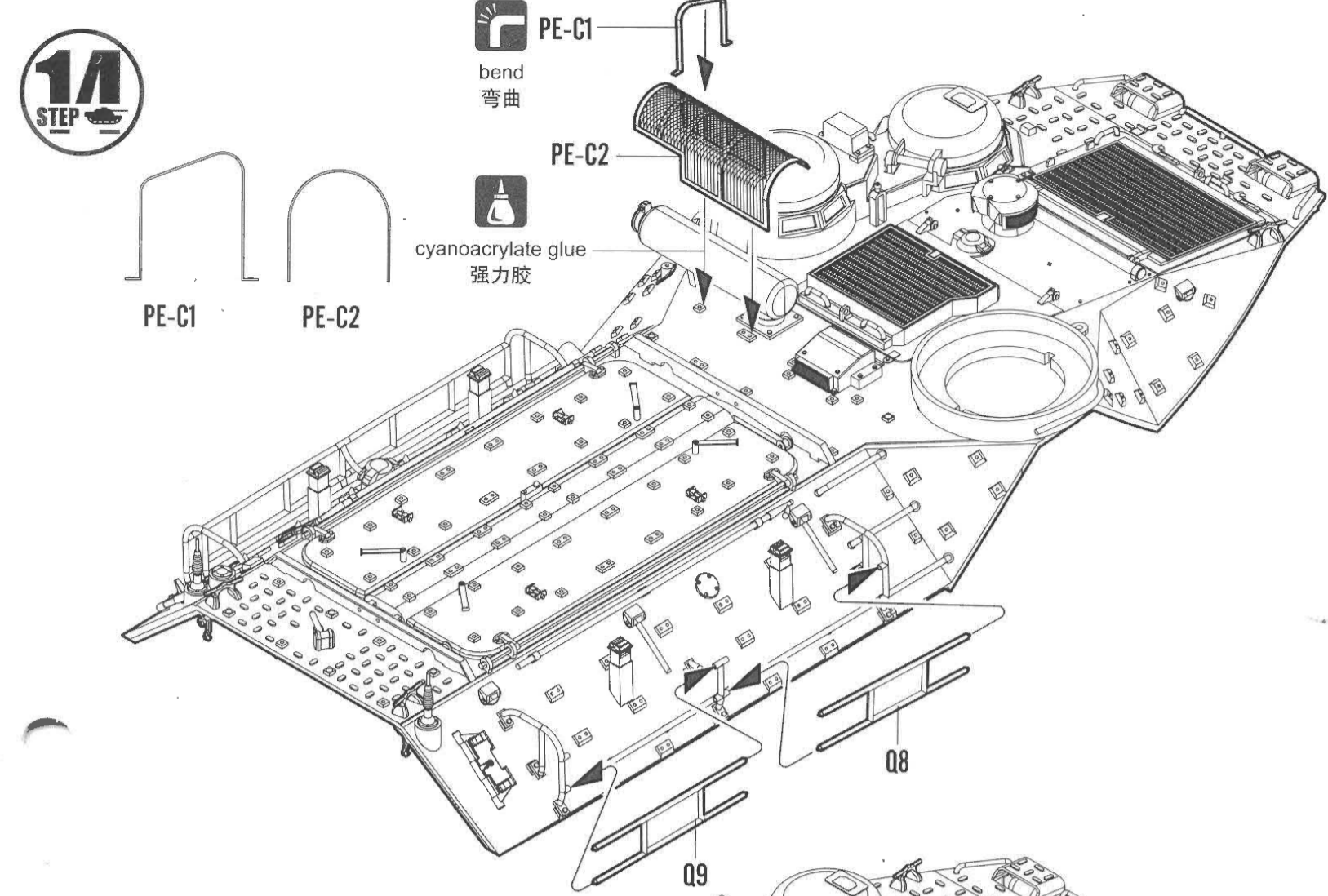
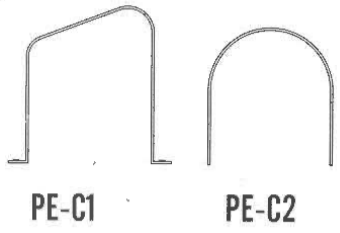
13
STEP



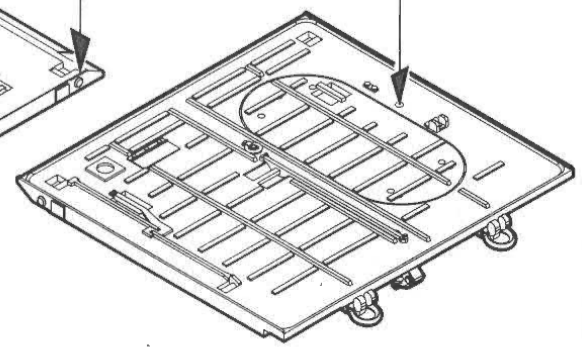
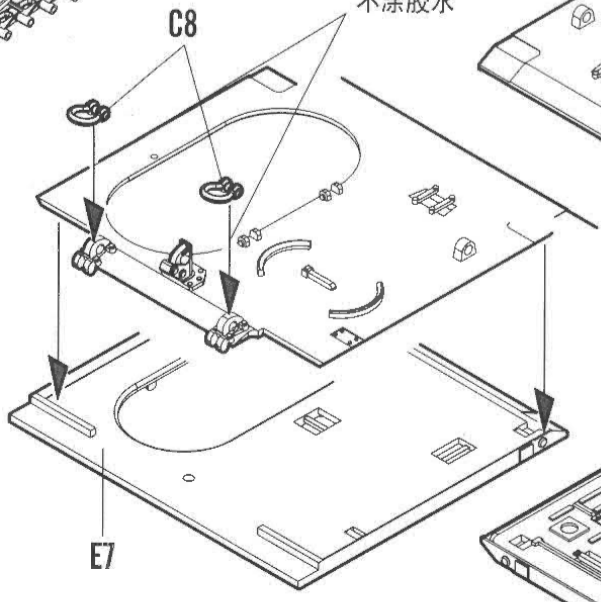
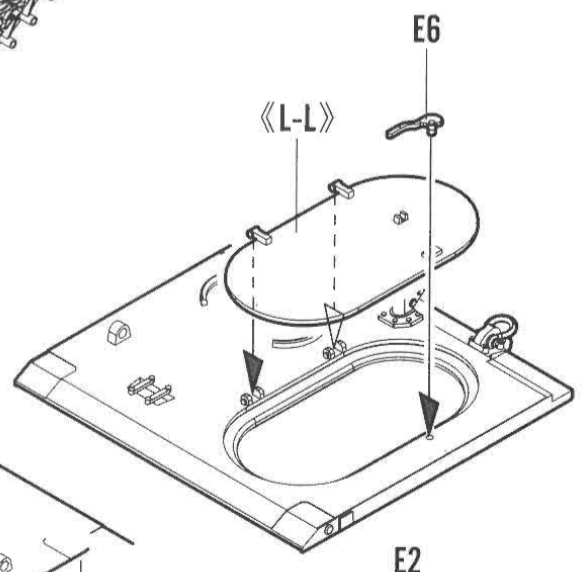
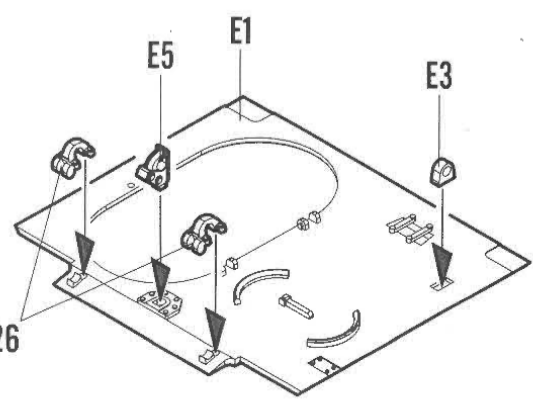
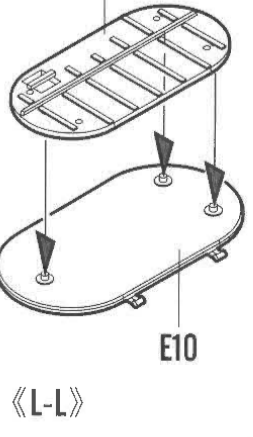
1/1
STEP

 PE-C1
bend
弯曲

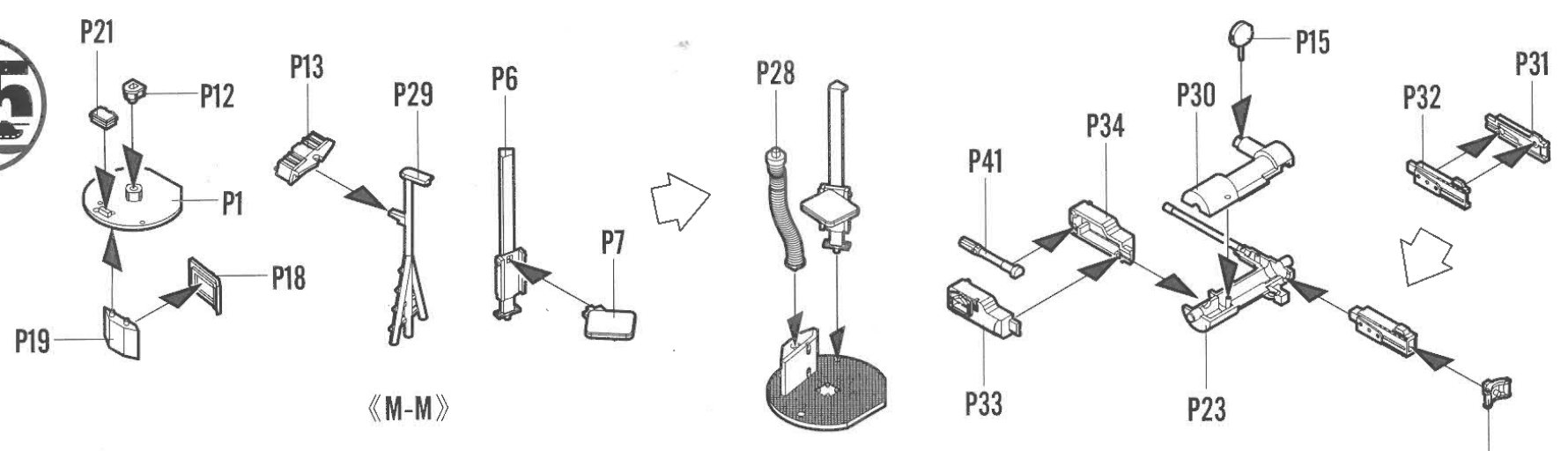
 PE-C2
cyanoacrylate glue
强力胶



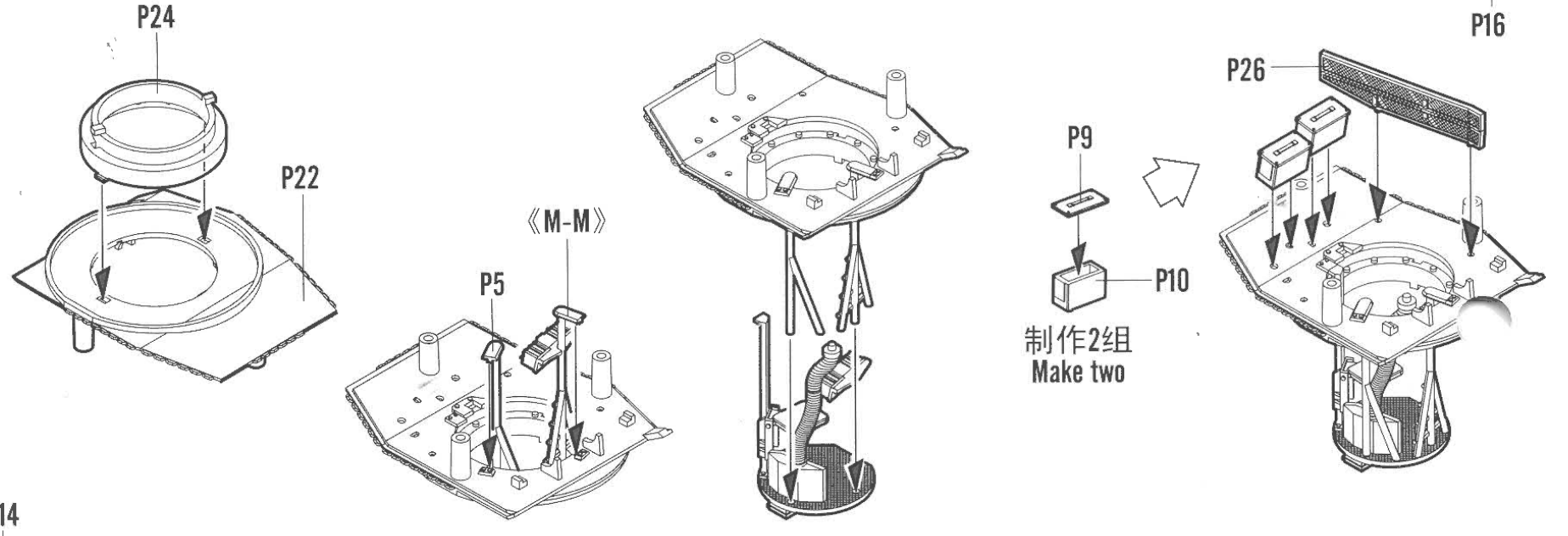
 no cement
不涂胶水



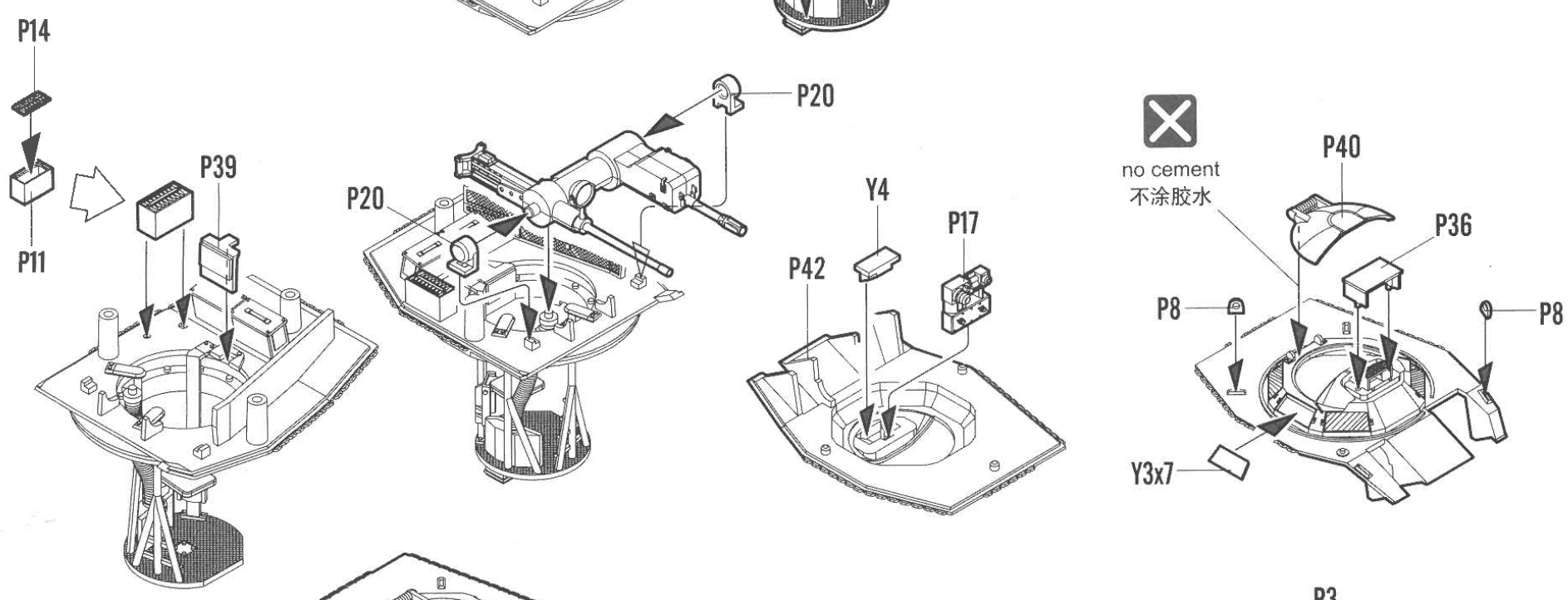
15
STEP



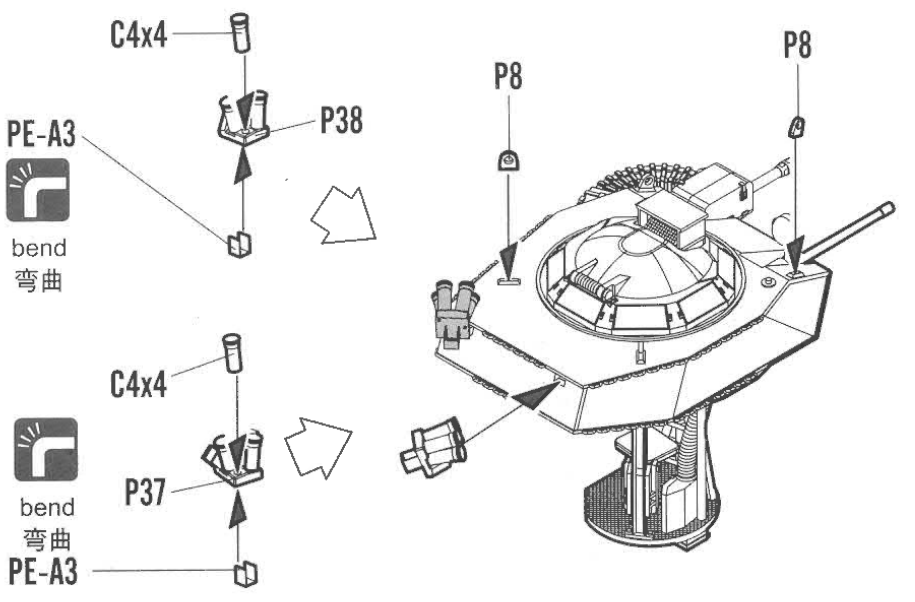
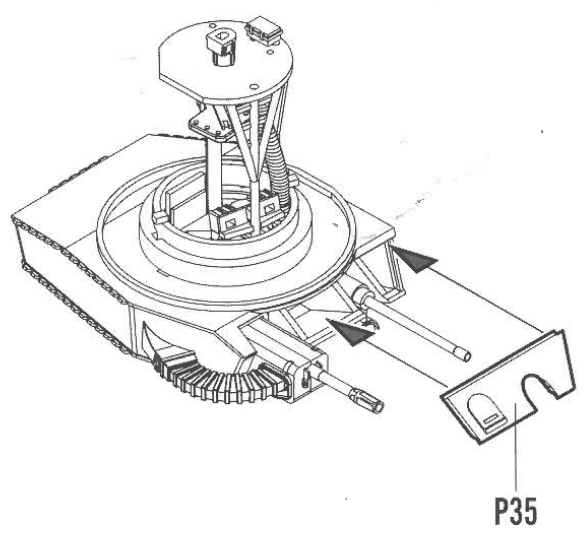
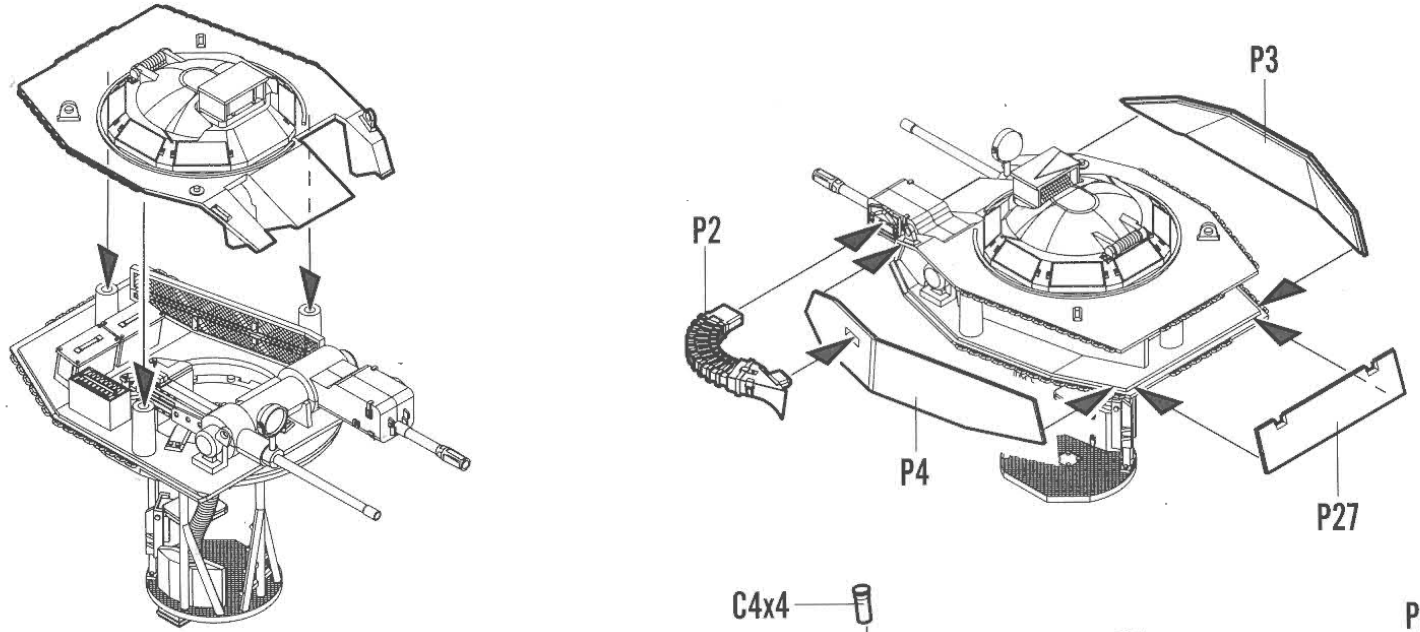
《M-M》



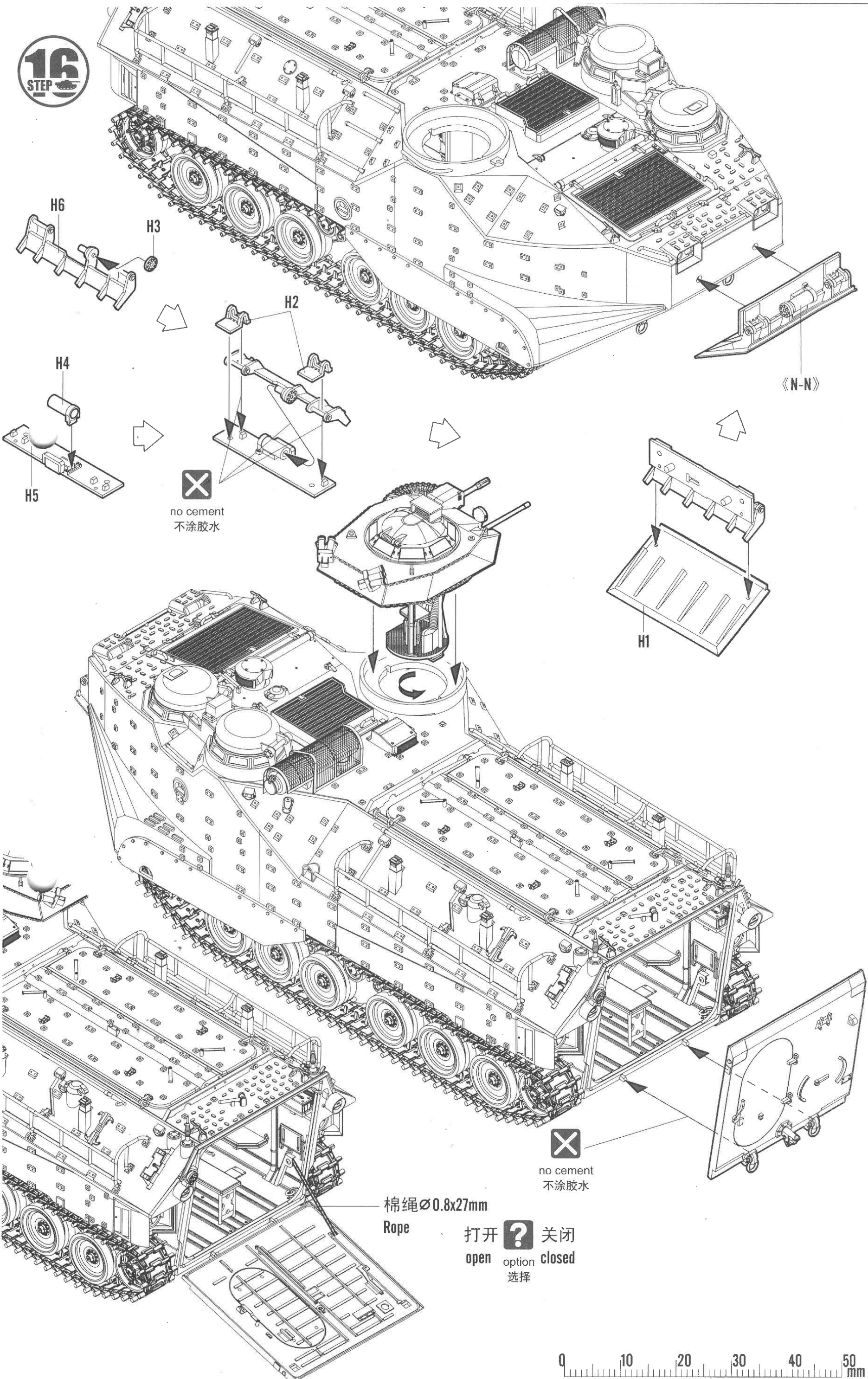
制作2组
Make two



no cement
不涂胶水



16
STEP



H6

H3

H2

H4

H5

《N-N》



no cement
不涂胶水

H1

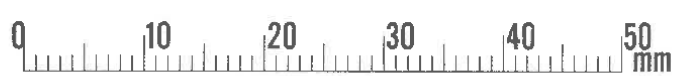


no cement
不涂胶水

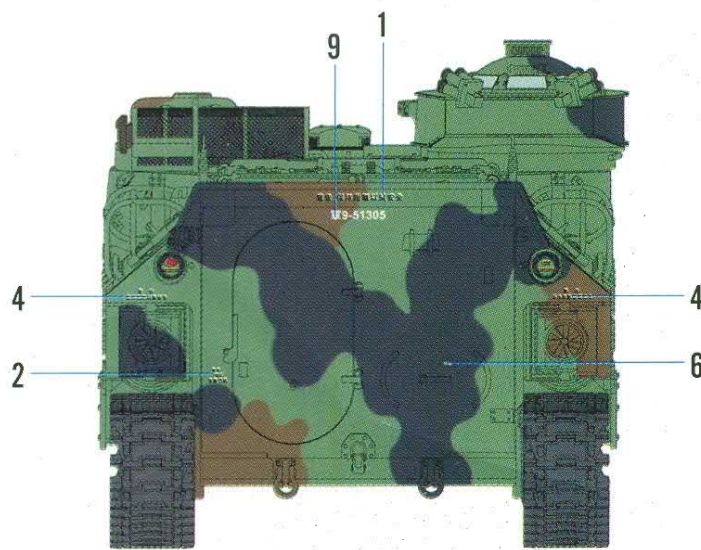
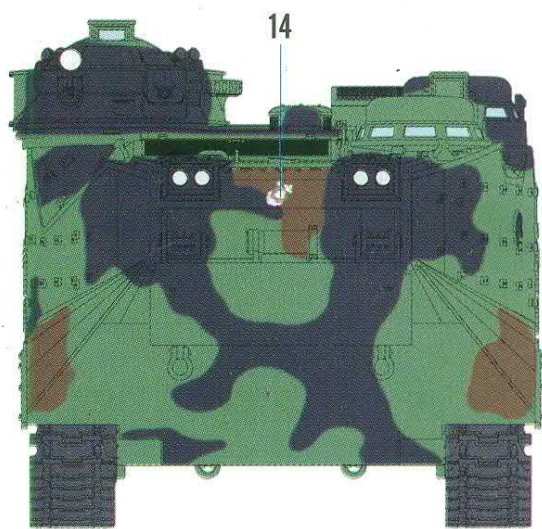
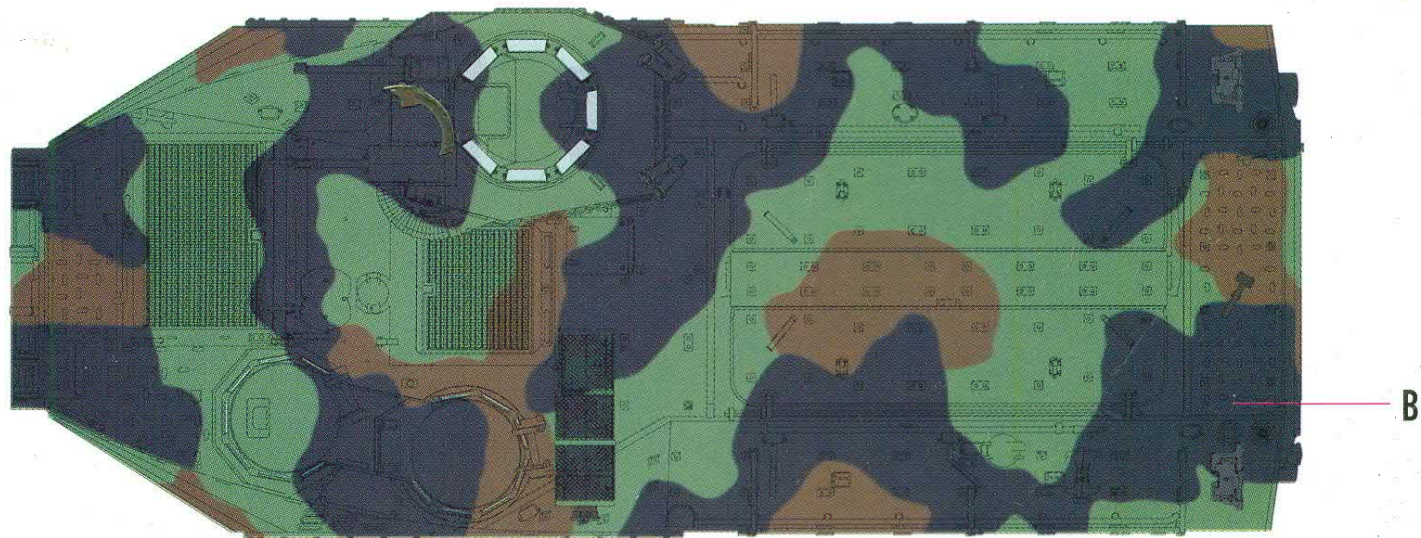
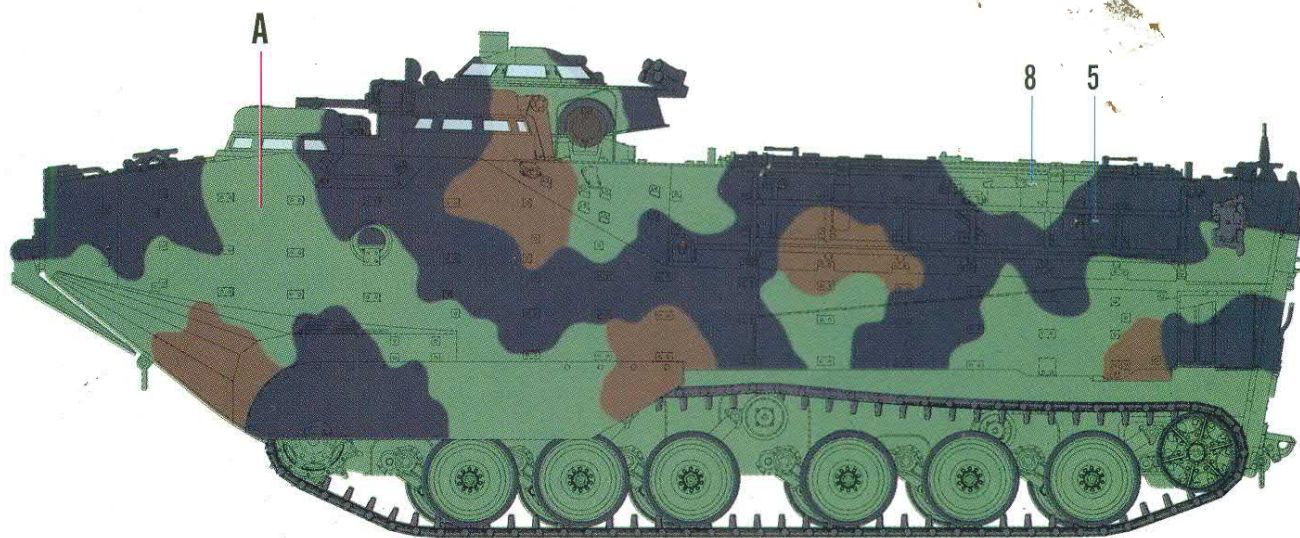
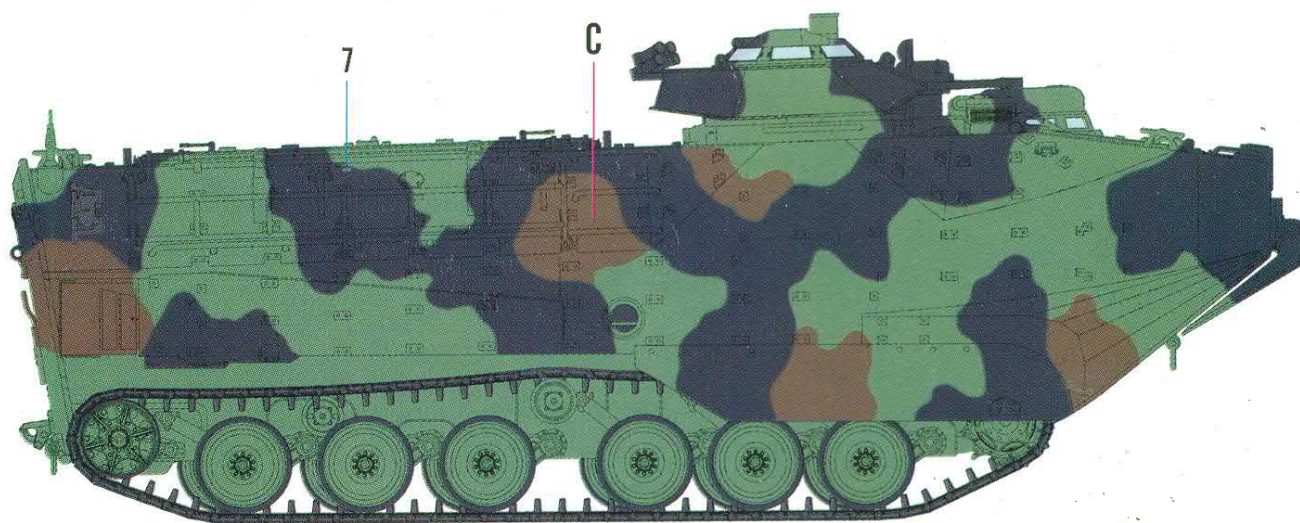
棉绳 $\varnothing 0.8 \times 27 \text{mm}$

Rope

打开 ? 关闭
open option closed
选择

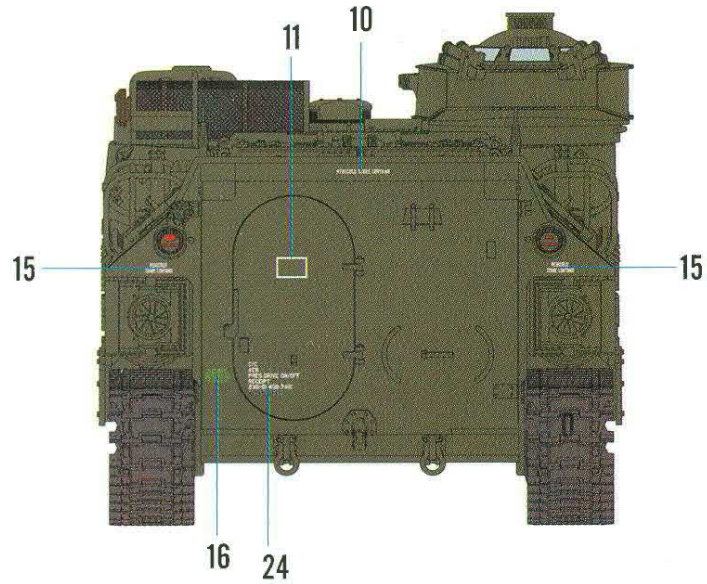
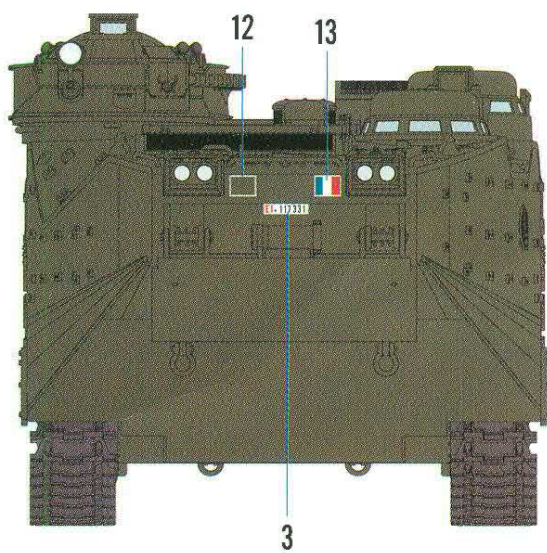
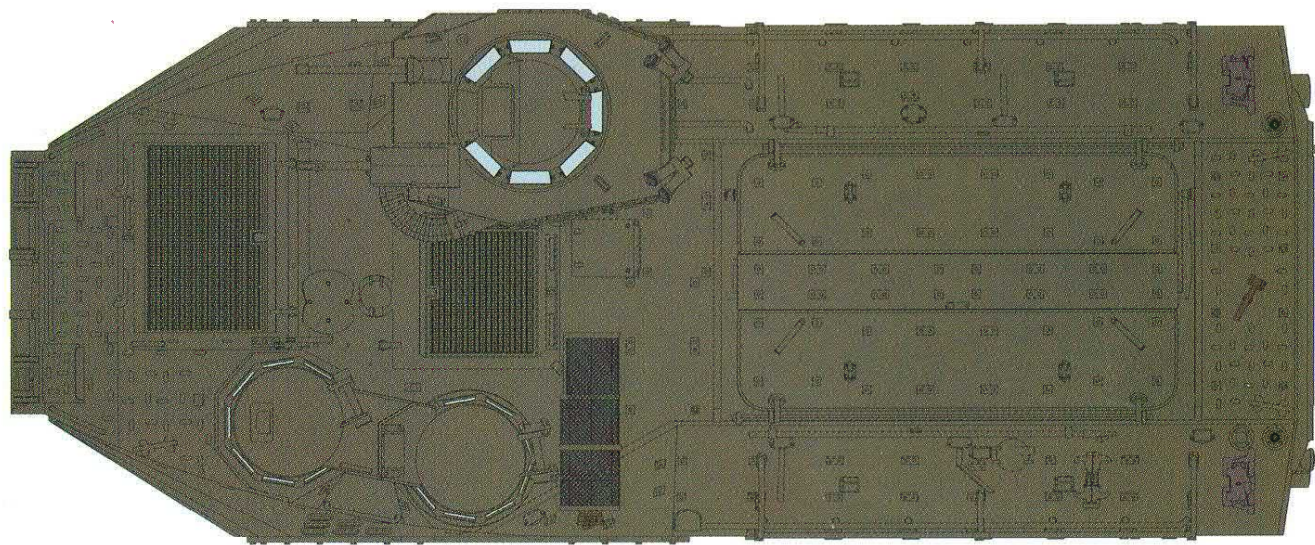
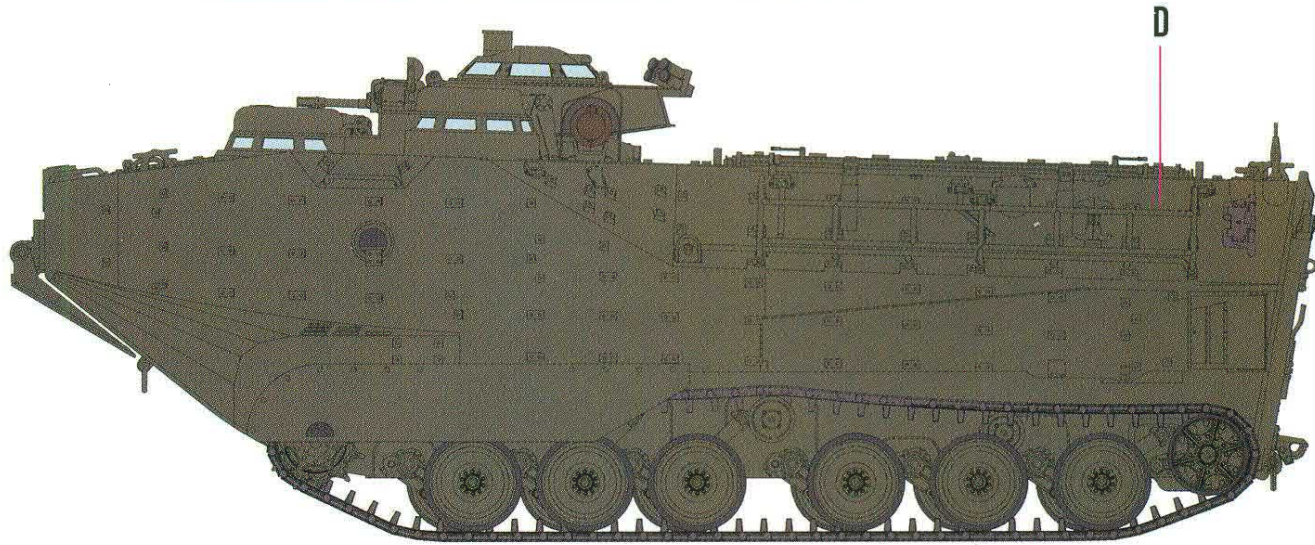
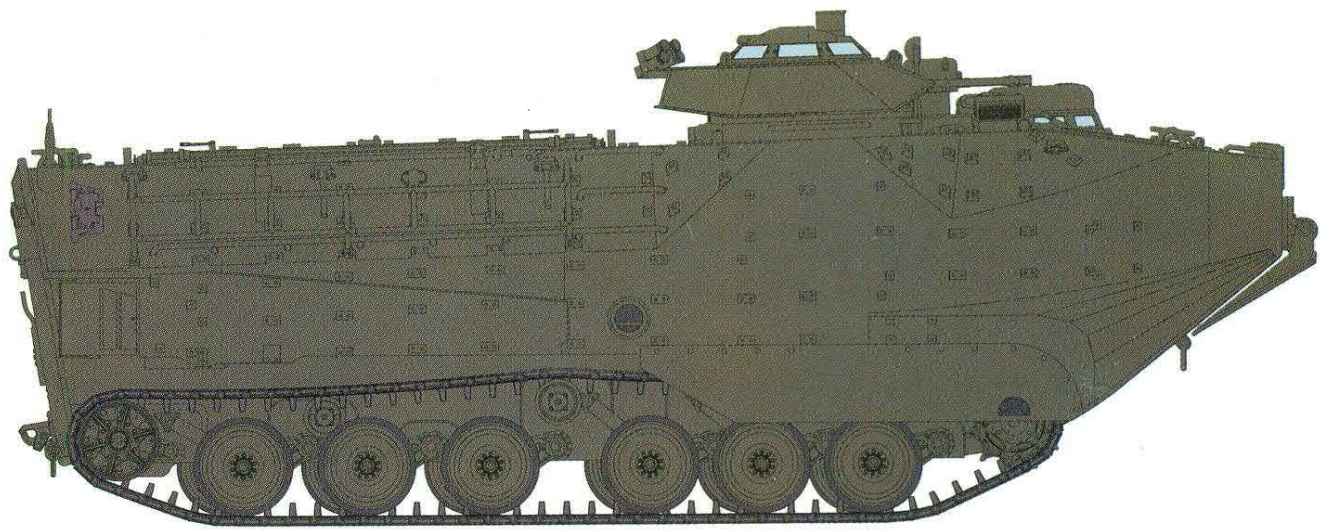


I



	Color	Mr.Hobby	Vallejo	Model Master	Tamiya	Humbrol
A	绿色 Green	H 312 312	--	1716	--	120
B	消光黑 Flat Black	H 12 33	950	1749	XF1	33
C	木棕色 Wood Brown	H 37 43	983	1701	--	186

II



	Color	Mr.Hobby	Vallejo	Model Master	Tamiya	Humbrol
D	绿色 Green	H 303 303	--	1713	XF20	117