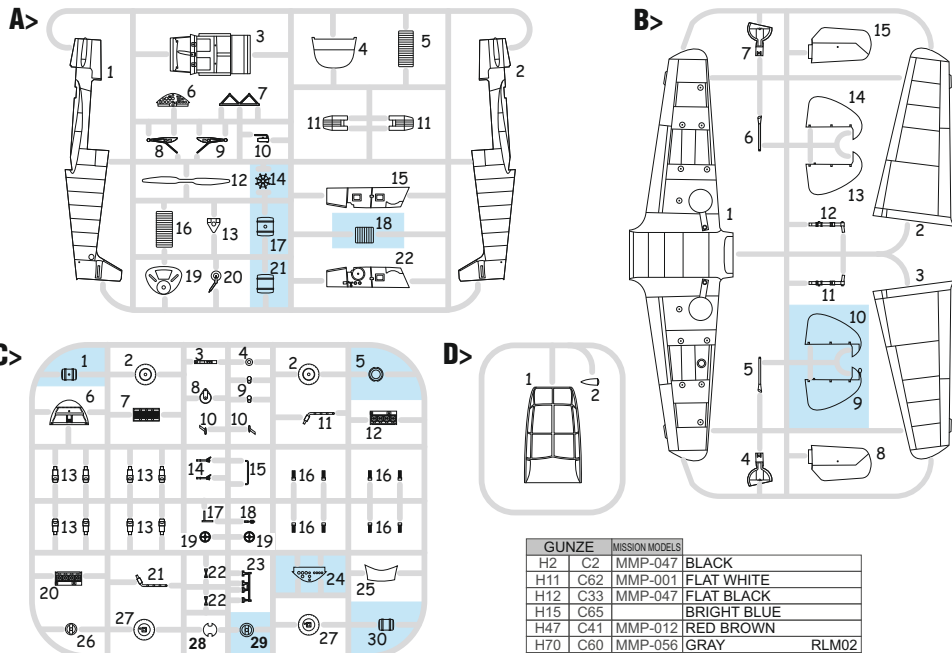


## PLASTIC PARTS



GUNZE	MISSION MODELS		
H2	C2	MMP-047 BLACK	
H11	C62	MMP-001 FLAT WHITE	
H12	C33	MMP-047 FLAT BLACK	
H15	C65	BRIGHT BLUE	
H47	C41	MMP-012 RED BROWN	
H70	C60	MMP-056 GRAY	RLM02
H77	C137	MMP-047 TIRE BLACK	
H324	C324	MMP-116 LIGHT GRAY	
H414	C114	MMP-003 RED	RLM23
MC218	MMM-003	ALUMINIUM	
MC219	MMM-009	BRASS	
SM01	MMC-001	SUPER CHROME	

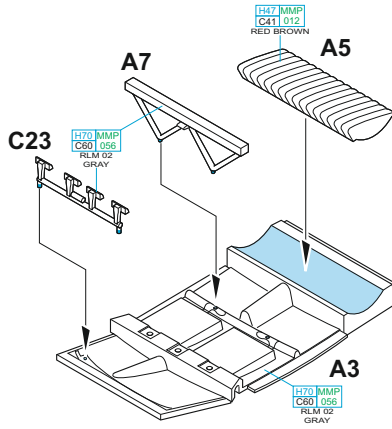
-Parts not for use. -Teile werden nicht verwendet. -Pièces à ne pas utiliser. -Tyto díly nepoužívejte při stavbě. - 使用しない部品

## ATTENTION \* UPOZORNĚNÍ \* ACHTUNG \* ATTENTION

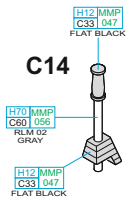
- (GB)** Carefully read instruction sheet before assembling. When you use glue or paint, do not use near open flame and use in well ventilated room. Keep out of reach of small children. Children must not be allowed to suck any part, or pull vinyl bag over the head.
- (CZ)** Před započetím stavby si pečlivě prostudujte stavební návod. Při používání barev a lepidel pracujte v dobře větrané místnosti. Lepidla ani barvy nepoužívejte v blízkosti otevřeného ohně. Model není určen malým dětem, mohlo by dojít k požití drobných dílů.
- (D)** Vor dem Zusammenbau die Bauanleitung gut durchlesen. Kleber und Farben nicht in der Nähe von offenem Feuer verwenden und für eine ausreichende Belüftung sorgen. Den Bausatz von kleinen Kindern fernhalten. Vermeiden Sie, dass Kinder Bauteile in den Mund nehmen oder sich Plastiktüten über den Kopf ziehen.
- (F)** lire soigneusement la fiche d'instructions avant d'assembler. Ne pas utiliser de colle ou de peinture à proximité d'une flamme nue, et aérer la pièce de temps en temps. Garder hors de portée des enfants en bas âge. Ne pas laisser les enfants mettre en bouche ou sucer les pièces, ou passer un sachet vinyl sur la tête.

## INSTRUCTION SIGNS \* INSTR. SYMBOLY \* INSTRUKTION SINNBILDEN \* SYMBOLES

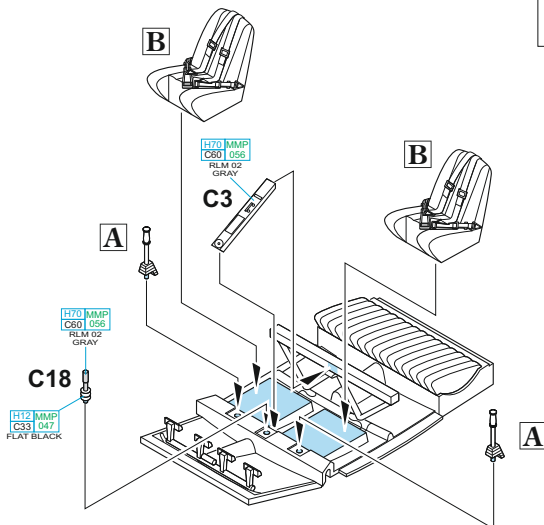
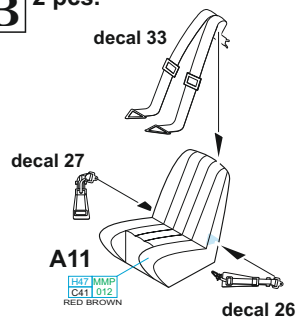
- (?)** OPTIONAL VOLBA
- (↶)** BEND OHNOUT
- (☼)** SAND BROUSIT
- (⊘)** OPEN HOLE VYVRTAT OTVOR
- (↔)** SYMMETRICAL ASSEMBLY SYMETRICKÁ MONTÁŽ
- (✂)** REMOVE ODŘÍZNOUT
- (↺)** REVERSE SIDE OTOČIT
- (★)** APPLY EDUARD MASK AND PAINT  
POUŽIT EDUARD MASK  
NABARVIT

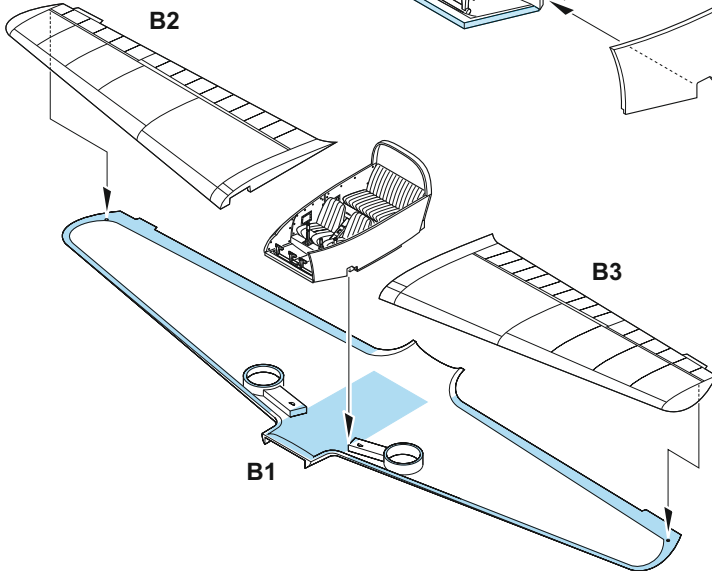
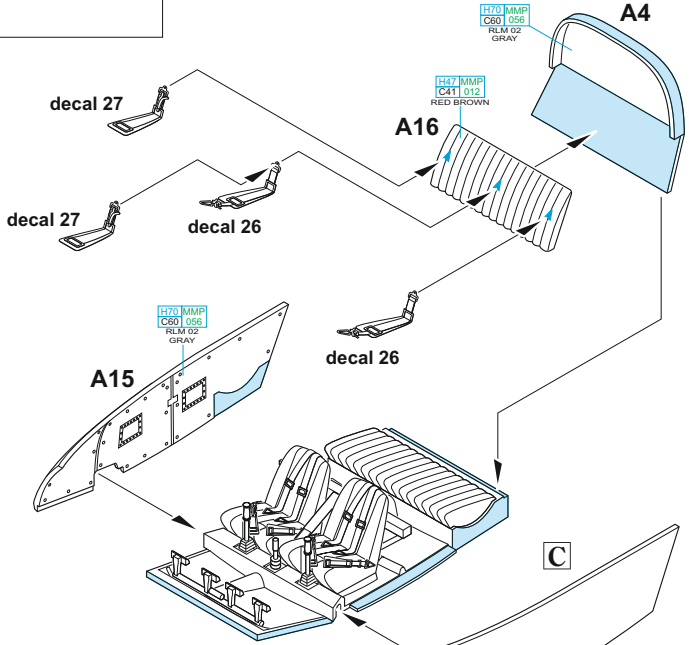
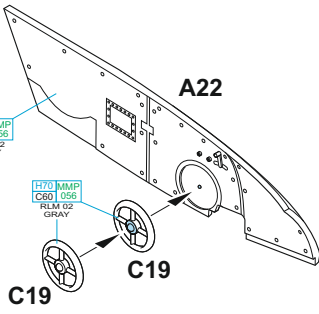


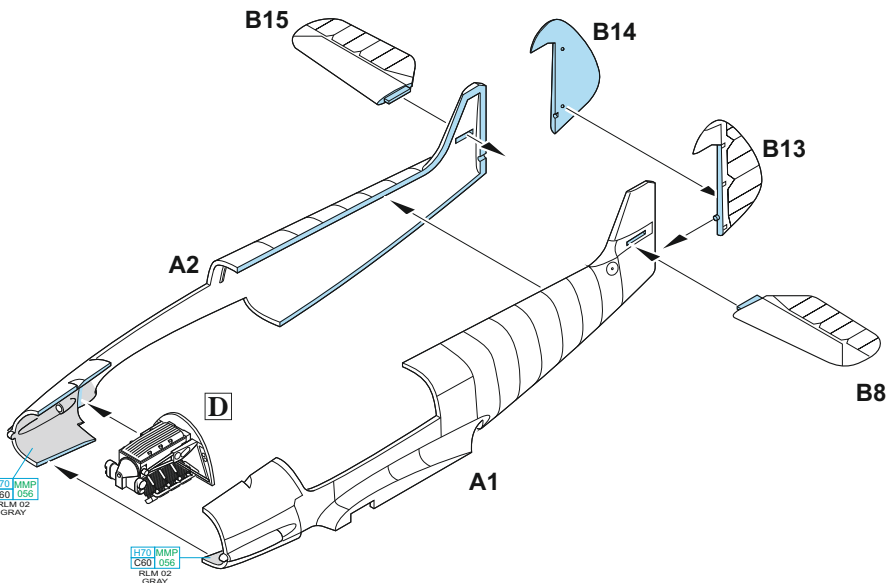
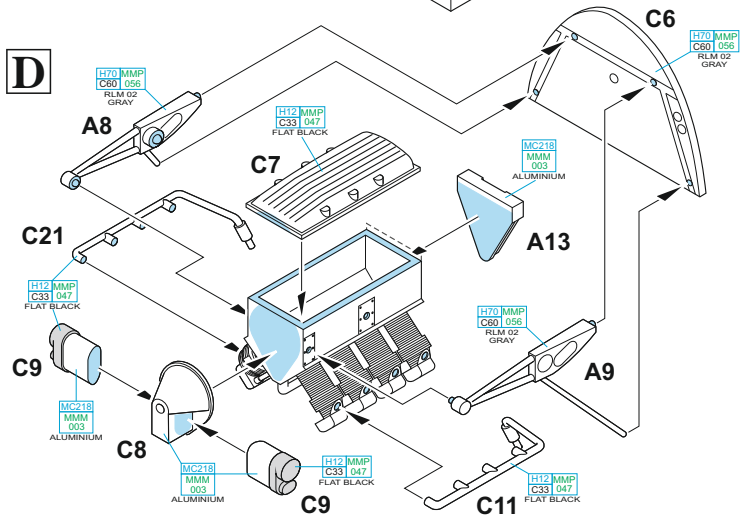
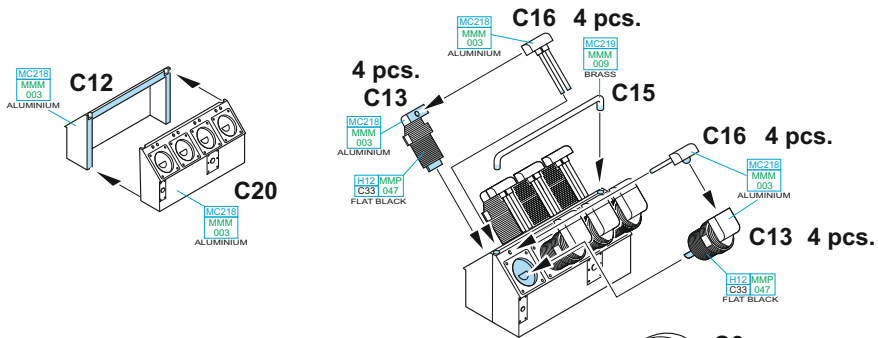
**A** 2 pcs.

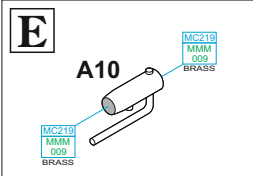
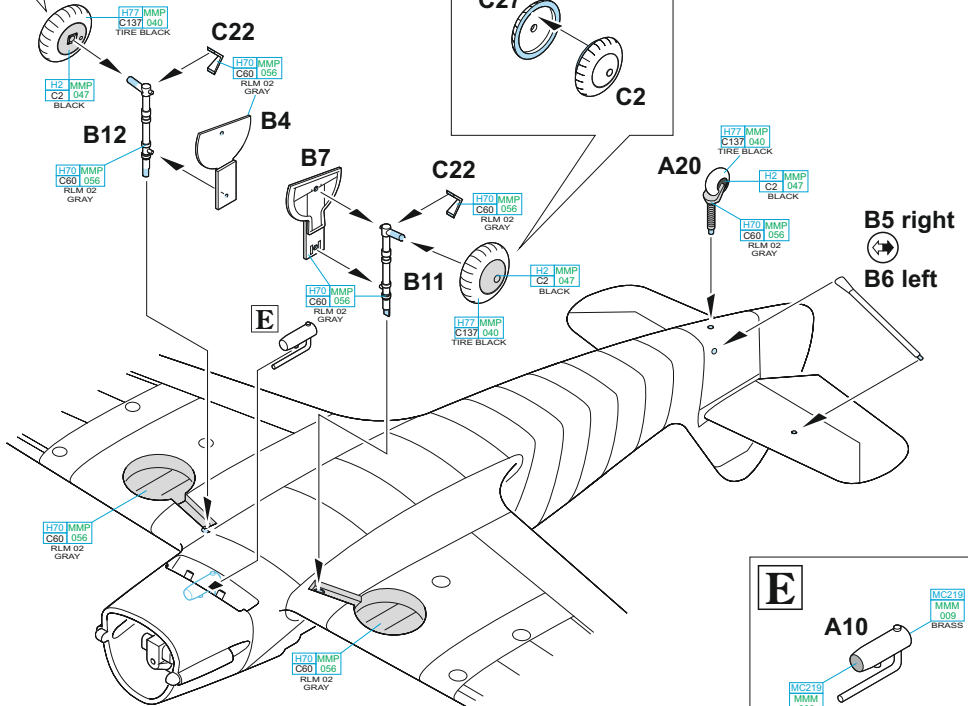
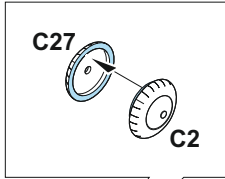
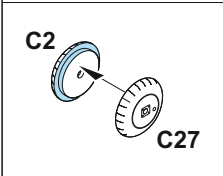
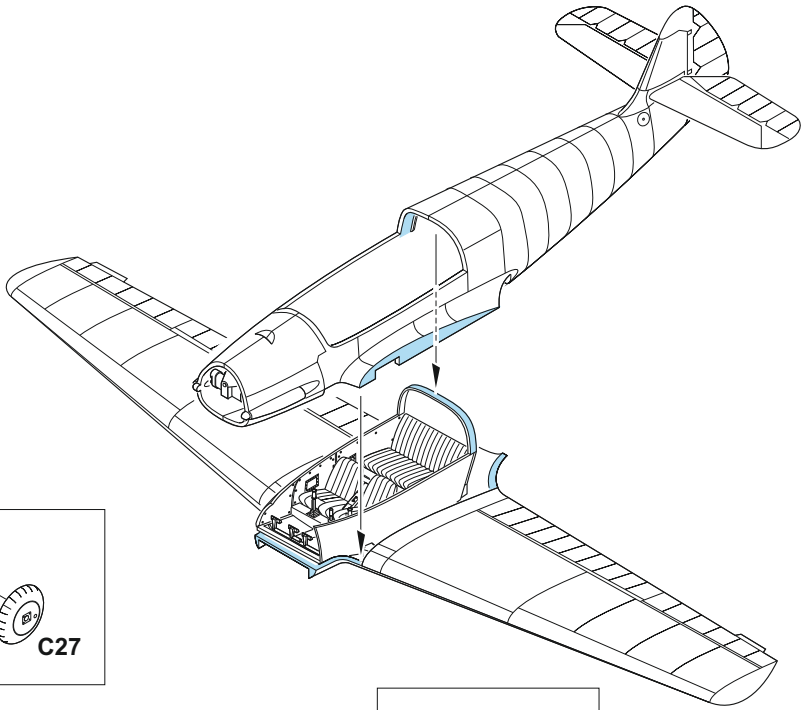


**B** 2 pcs.



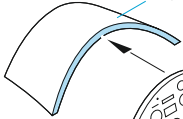
**C**





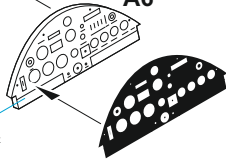
C25

H12 MMP  
C33 C47  
FLAT BLACK

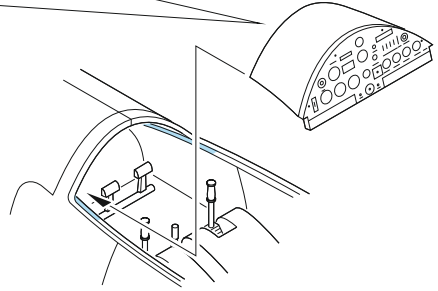


A6

H12 MMP  
C33 C47  
FLAT BLACK

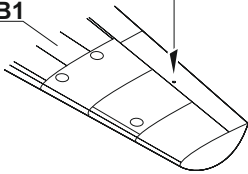


OPTIONAL: decal 10



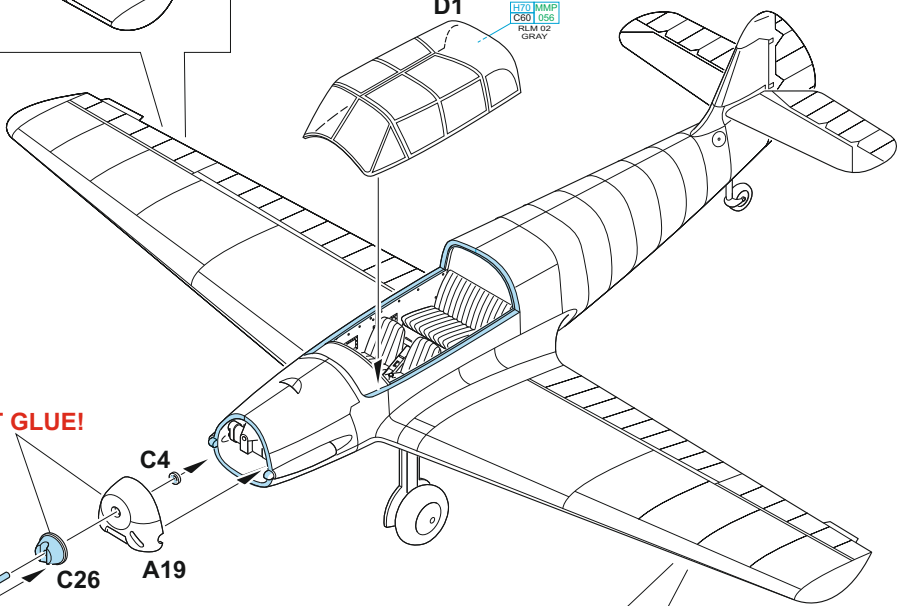
C10

B1



D1

H70 MMP  
C60 C56  
FLAT DZ  
GRAY



**DO NOT GLUE!**

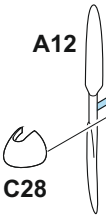
C4

A12

C26

A19

C28

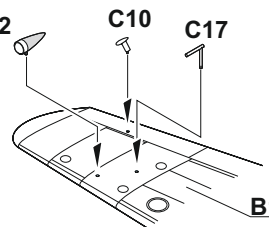


D2

C10

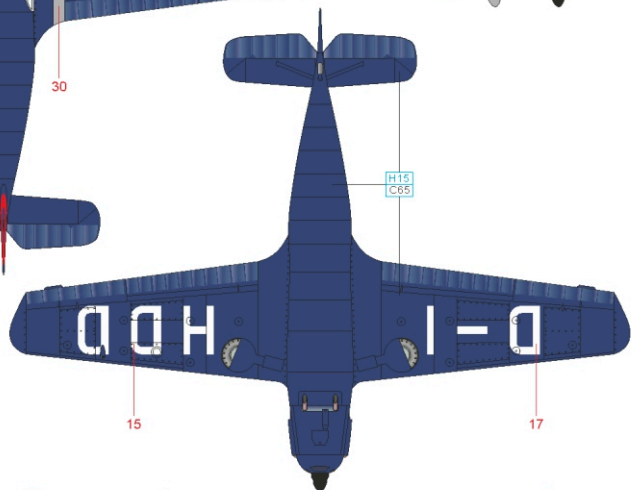
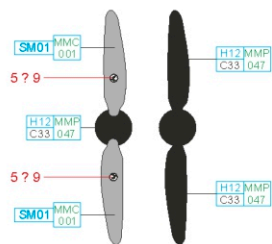
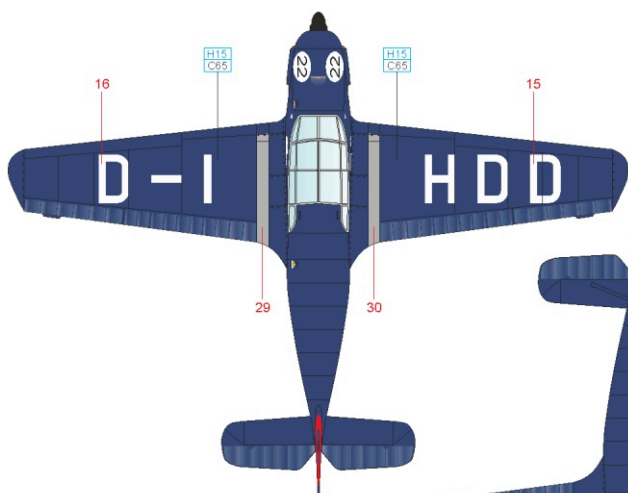
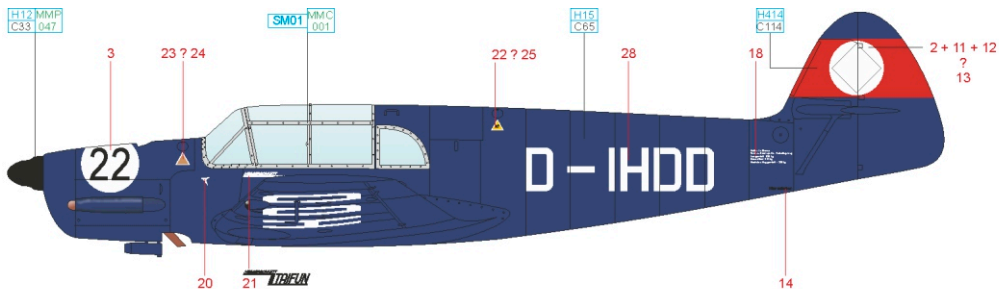
C17

B1

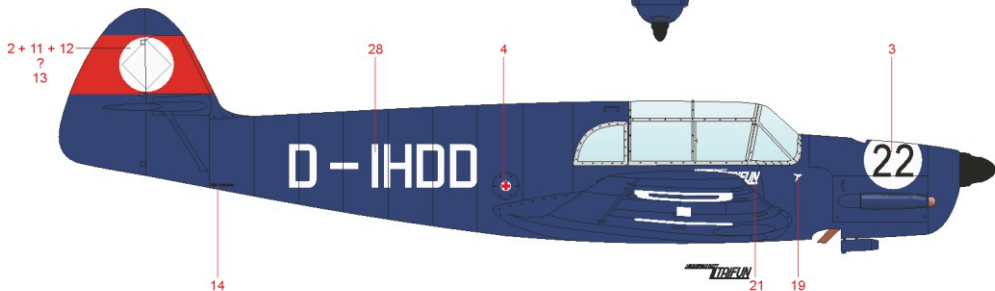


# A Manx Air Races, Isle of Man, May 1937

Two Messerschmitt Bf 108Bs took part in the air races that took place in May 1937. These were piloted by Majors Seidemann and Ernst Gerbrecht. Both aircraft were sprayed blue overall, with registration on the wings and fuselage, and also carrying the race number on the nose. The main race was won by Major Seidemann, and in the secondary Tynwald Air Race, he finished second followed by Ernst Gerbrecht.



ČESKOU VERZI TEXTU NALEZNETE NA  
[www.eduard.com](http://www.eduard.com)  
POD KATALOGOVÝM ČÍSLEM 8479

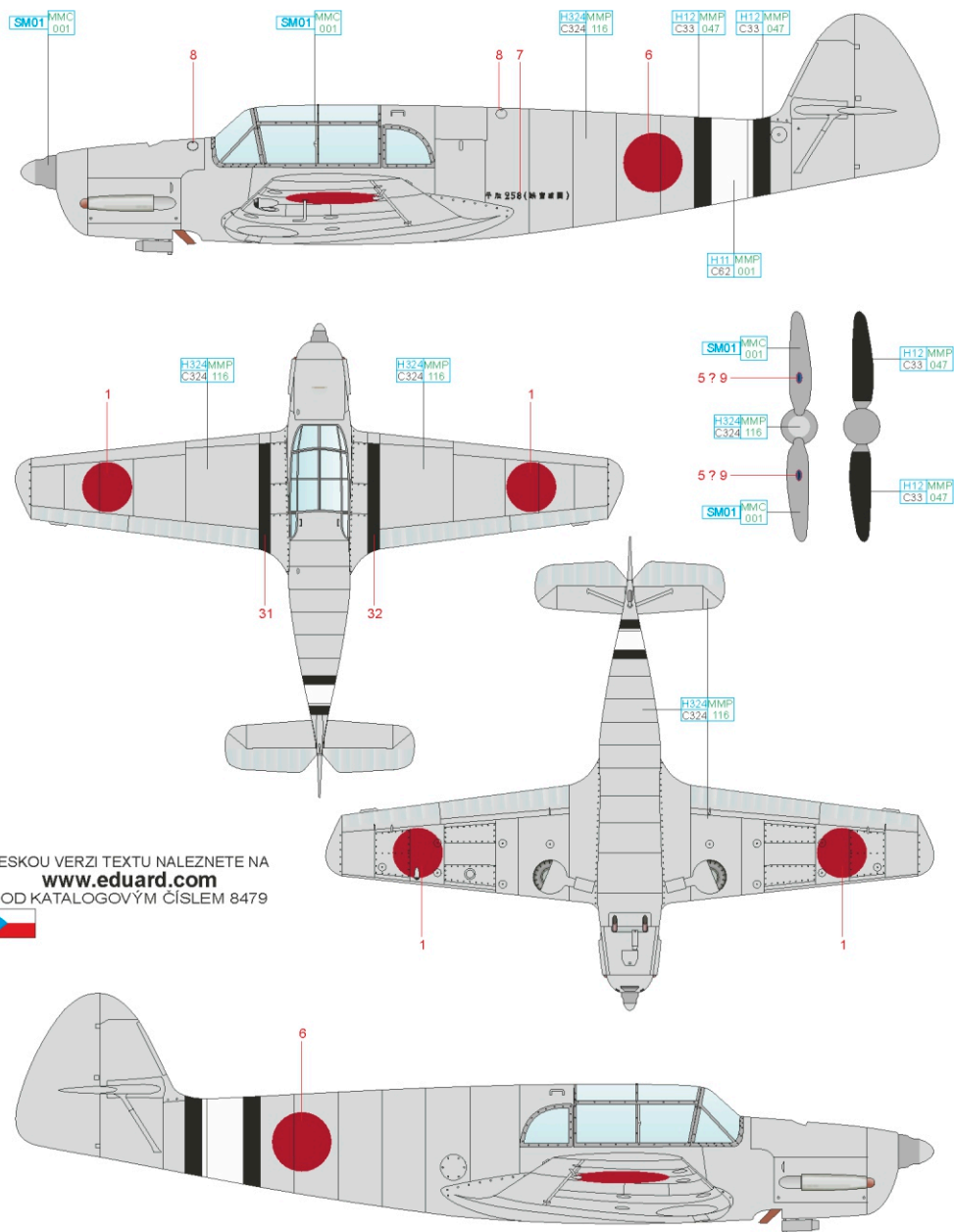


BLUE H15 C65 CHROME SM01 MMC 001 BLACK H12 MMP C33 047 RLM 23 H14 C114

eduard

# B Manchuria Aviation Company, Chanchung Airfield, Manchuria, 1945

The Manchuria Aviation Company was founded on September 26th, 1931, by request of the Japanese military. Its main task was to provide transport and logistical support to the army, with mail runs and passenger service being offered if capacity allowed. One of the types that was operated by the company was the Bf 108, delivered through the mid thirties to the tune of fifteen units. This aircraft was discovered by Soviet troops at Manchung in an all-grey scheme with the dedication 'Aikoku No.258' and a black outlined white band on the rear fuselage, which were reserved for civil operators.



ČESKOU VERZI TEXTU NALEZNETE NA  
**www.eduard.com**  
 POD KATALOGOVÝM ČÍSLEM 8479



LIGHT GRAY H324 MMP C324 116 CHROME SM01 MMC 001 WHITE H111 MMP C62 001 BLACK H12 MMP C33 047

**eduard**