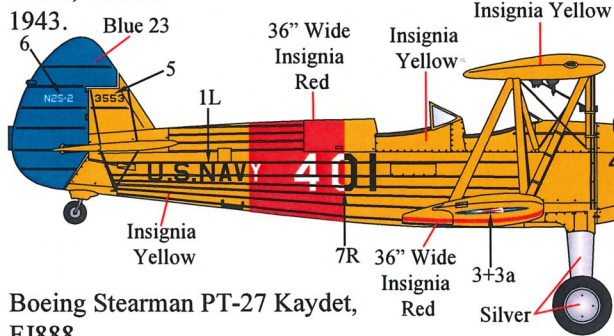
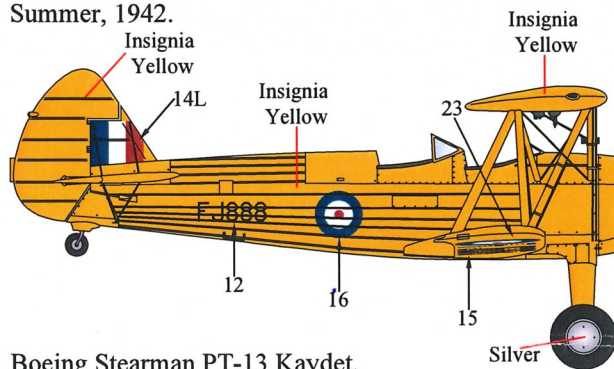


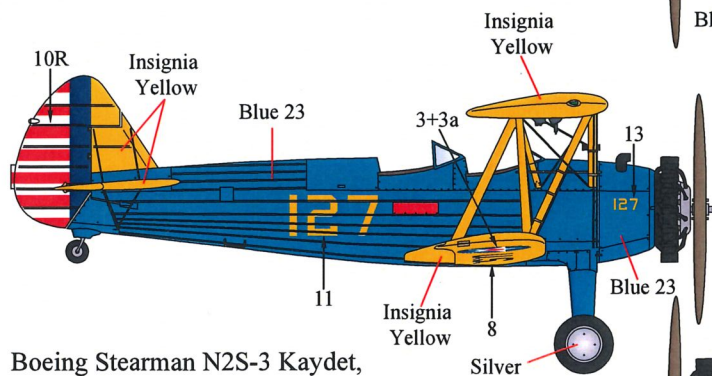
Website
 www.hannants.co.uk
 Boeing Stearman N2S-2 Kaydet,
 Bu.No. 3553, '401'
 of U.S. Navy,
 based at NAS Corpus Christi,
 Texas, U.S.A.



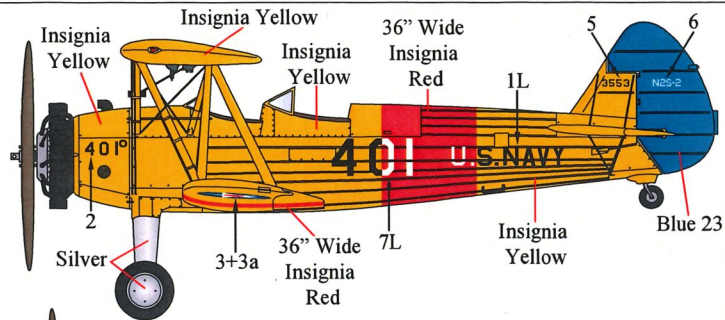
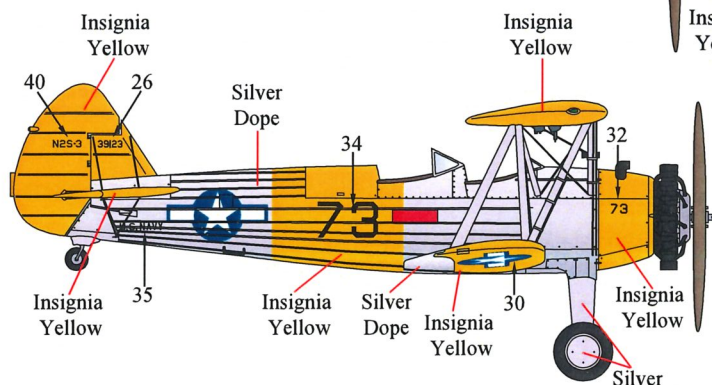
Boeing Stearman PT-27 Kaydet,
 FJ888
 of 36 Elementary Flying Training School,
 RCAF, based at RAF Pearce,
 Alberta, Canada,
 Summer, 1942.



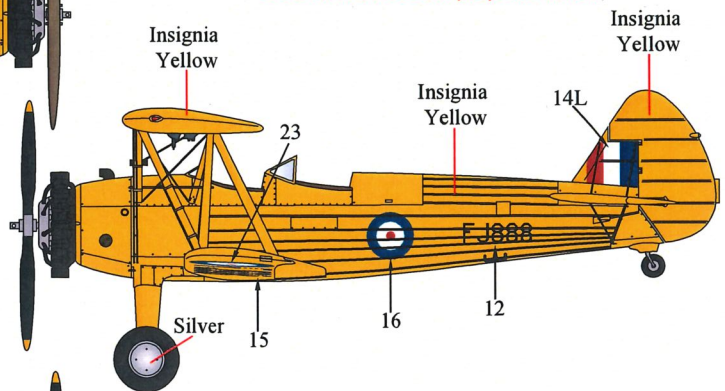
Boeing Stearman PT-13 Kaydet,
 '127'
 of United States Army Air Corps,
 1940.



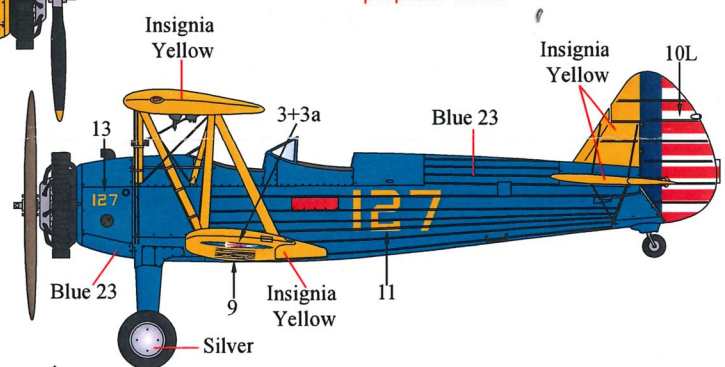
Boeing Stearman N2S-3 Kaydet,
 Bu.No. 39123, '73'
 of U.S. Navy
 1944.



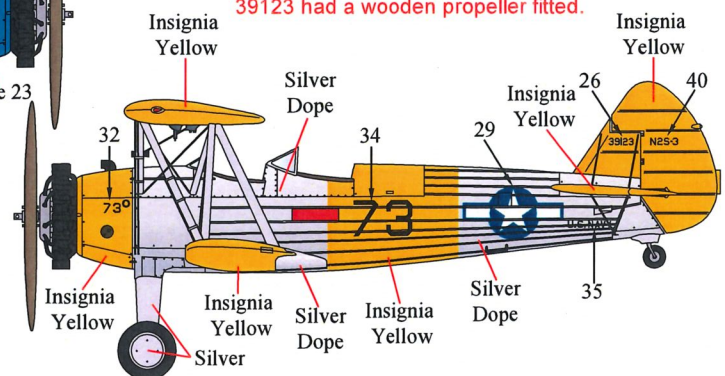
Modellers Note:
 3553 had a wooden propeller fitted.



Modellers Note:
 FJ888 had the larger tyres and an aluminium propeller fitted.

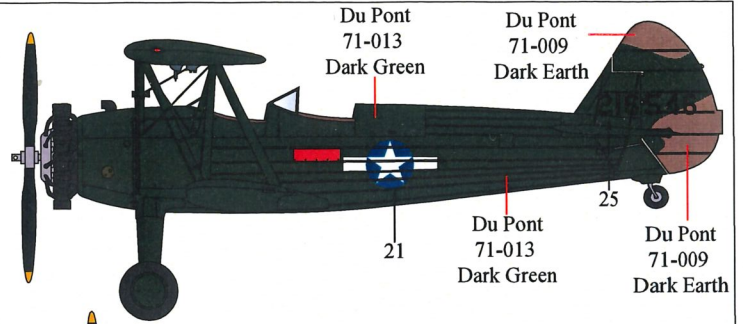
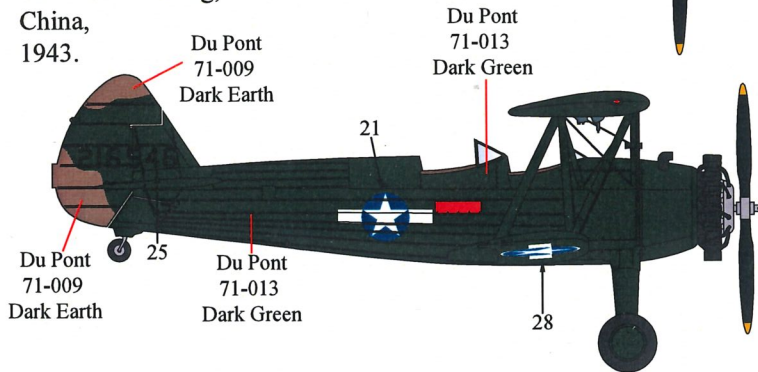


Modellers Note:
 39123 had a wooden propeller fitted.



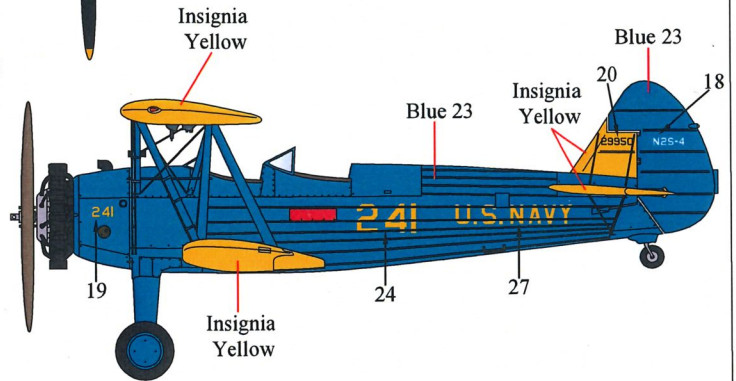
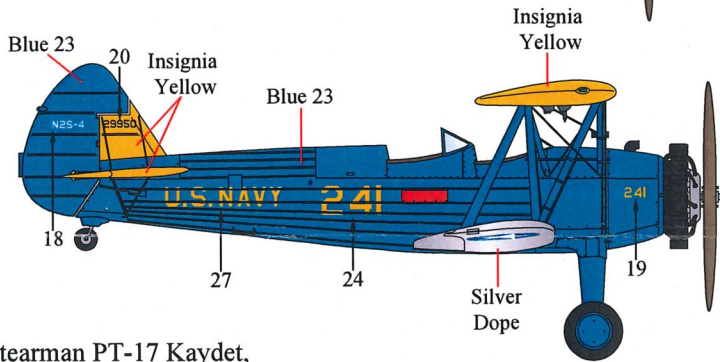
Modellers Note:
 39123 had a wooden propeller fitted.

Stearman PT-17 Kaydet,
216546,
of U.S.A.A.F.,
based at Kunming,
China,
1943.



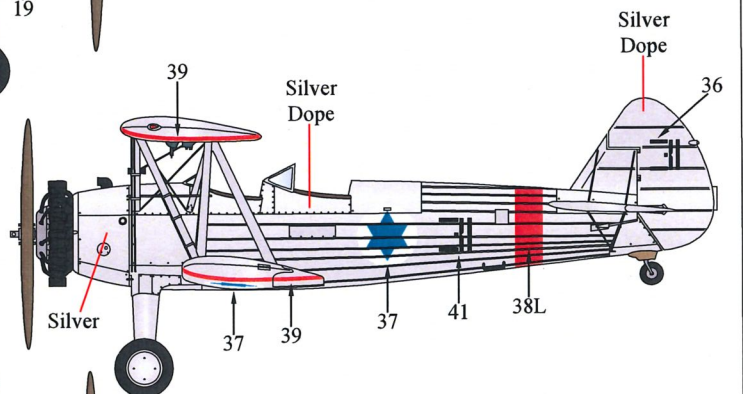
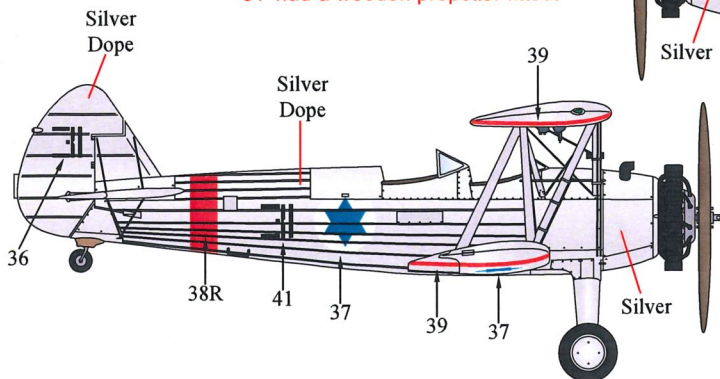
Modellers Note:
216546 had an aluminium propeller fitted.

Stearman N2S-4 Kaydet,
29950, '241'
of U.S.Navy,
based at NAS Grosse Ile,
Michigan, USA,
1940s.



Modellers Note:
29950 had a wooden propeller and a Silver Dope painted replacement starboard lower wing fitted.

Stearman PT-17 Kaydet,
'31'
of Flying School,
based at Kfir Sirtain,
Israel,
1953.



Modellers Note:
'31' had a wooden propeller fitted.

Xtracolor Paints
X102 Du Pont Dark Earth
X103 Insignia Red
X106 Insignia Yellow
X114 Du Pont Dark Green
X124 Blue 4
X501 Silver

Paints:

The colours used on these aircraft can be found in the Xtracolor (prefix number with X) and Xtracrylix (prefix number with XA1) range of paints.

Xtracrylix Paints
XA1102 Du Pont Dark Earth
XA1103 Insignia Red
XA1106 Insignia Yellow
XA1114 Du Pont Dark Green
XA1124 Blue 4