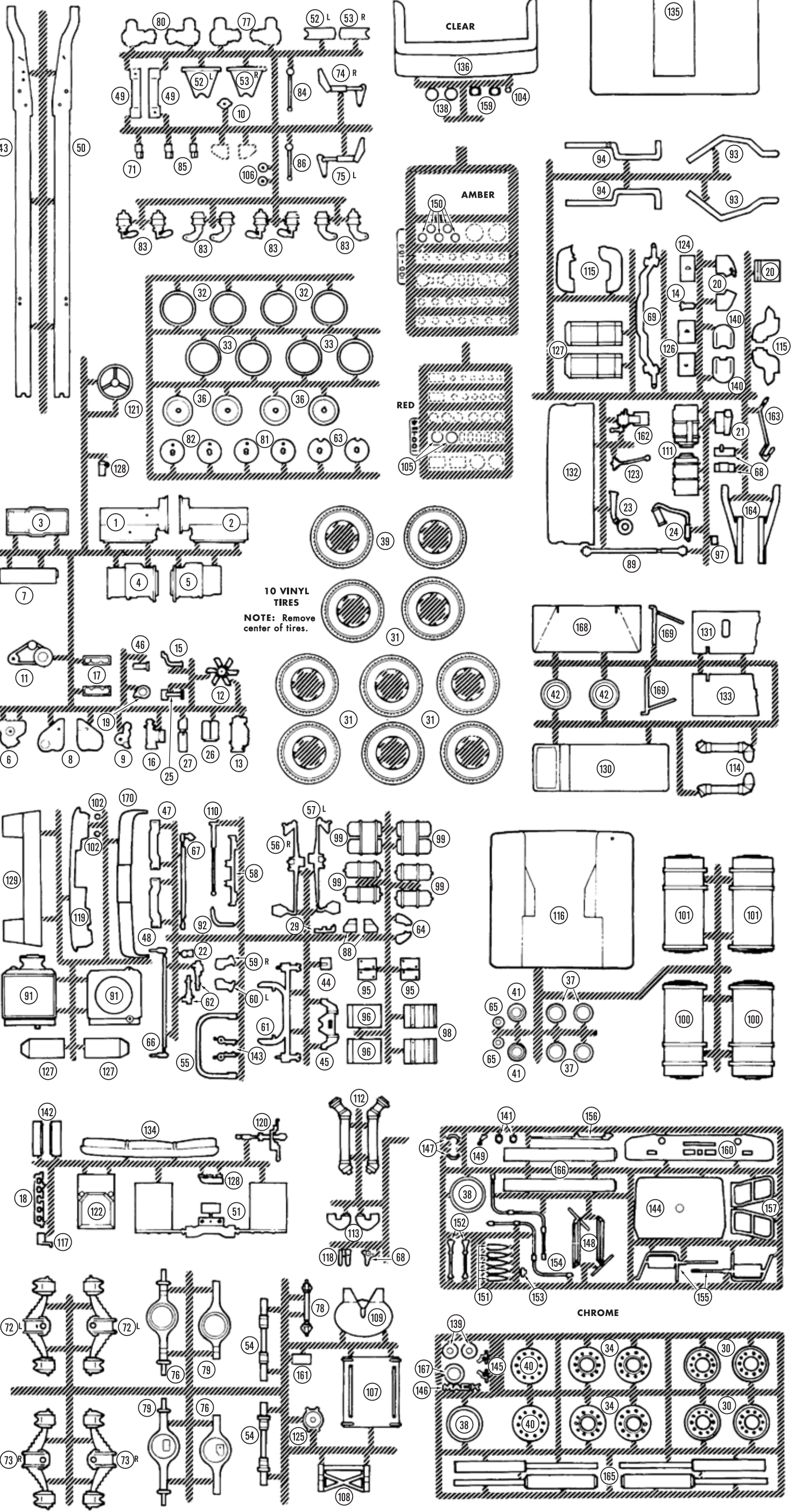


Mack CRUISE-LINER INSTRUCTION SHEET

IMPORTANT NOTE: Layout shown below is an aid to identify parts in this kit. They are numbered according to assembly on instruction sheet only! These numbers DO NOT appear on actual parts.



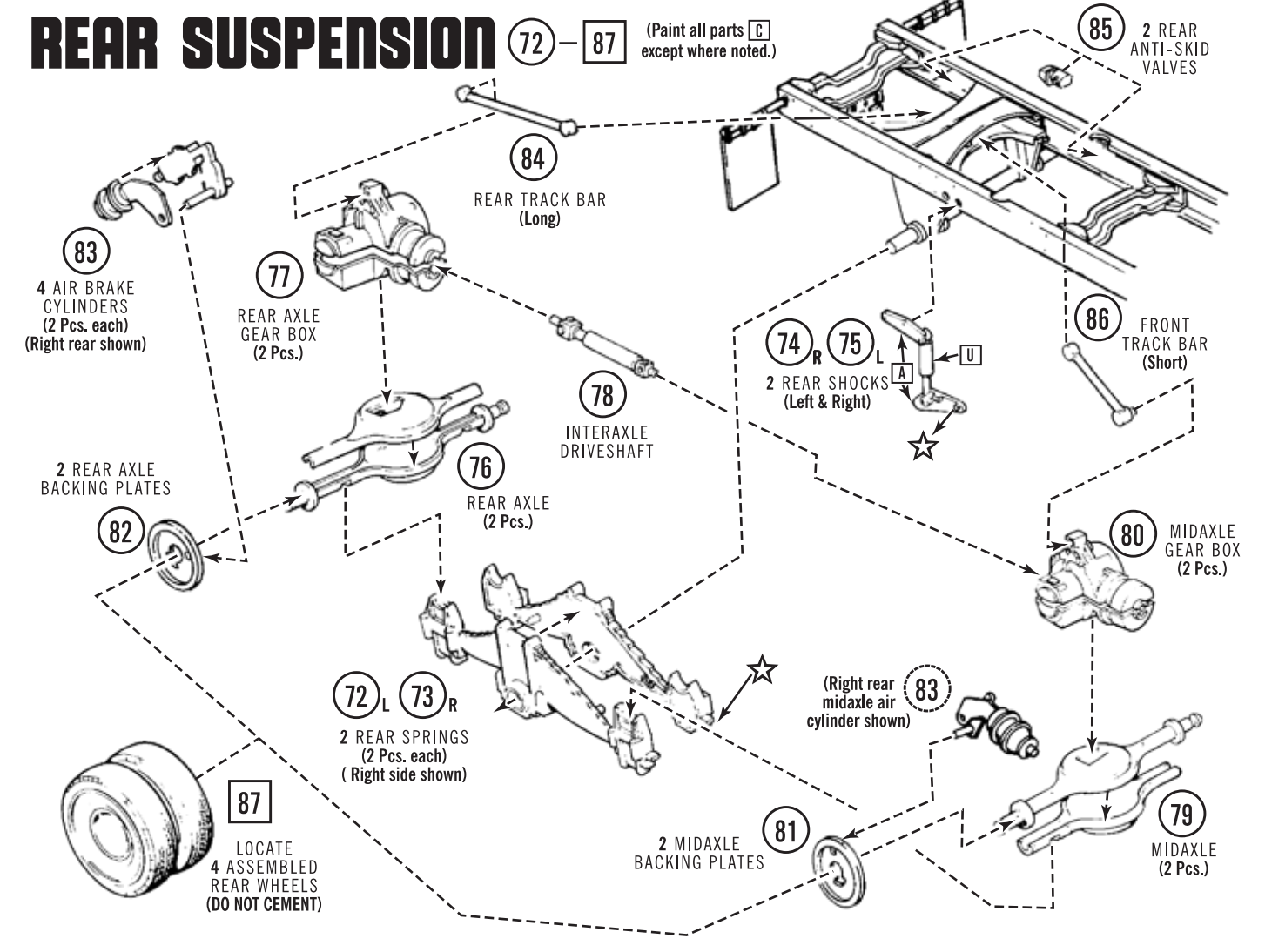
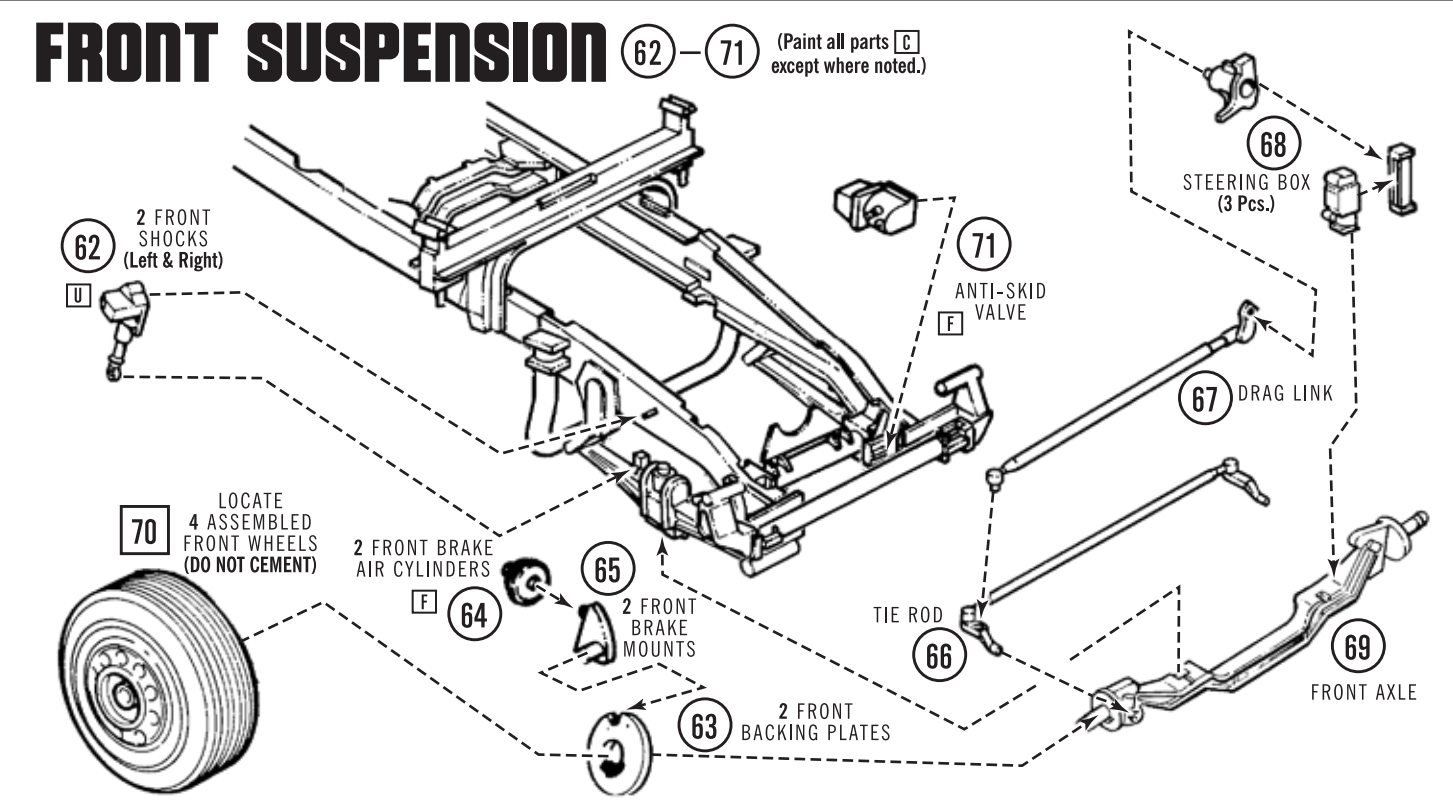
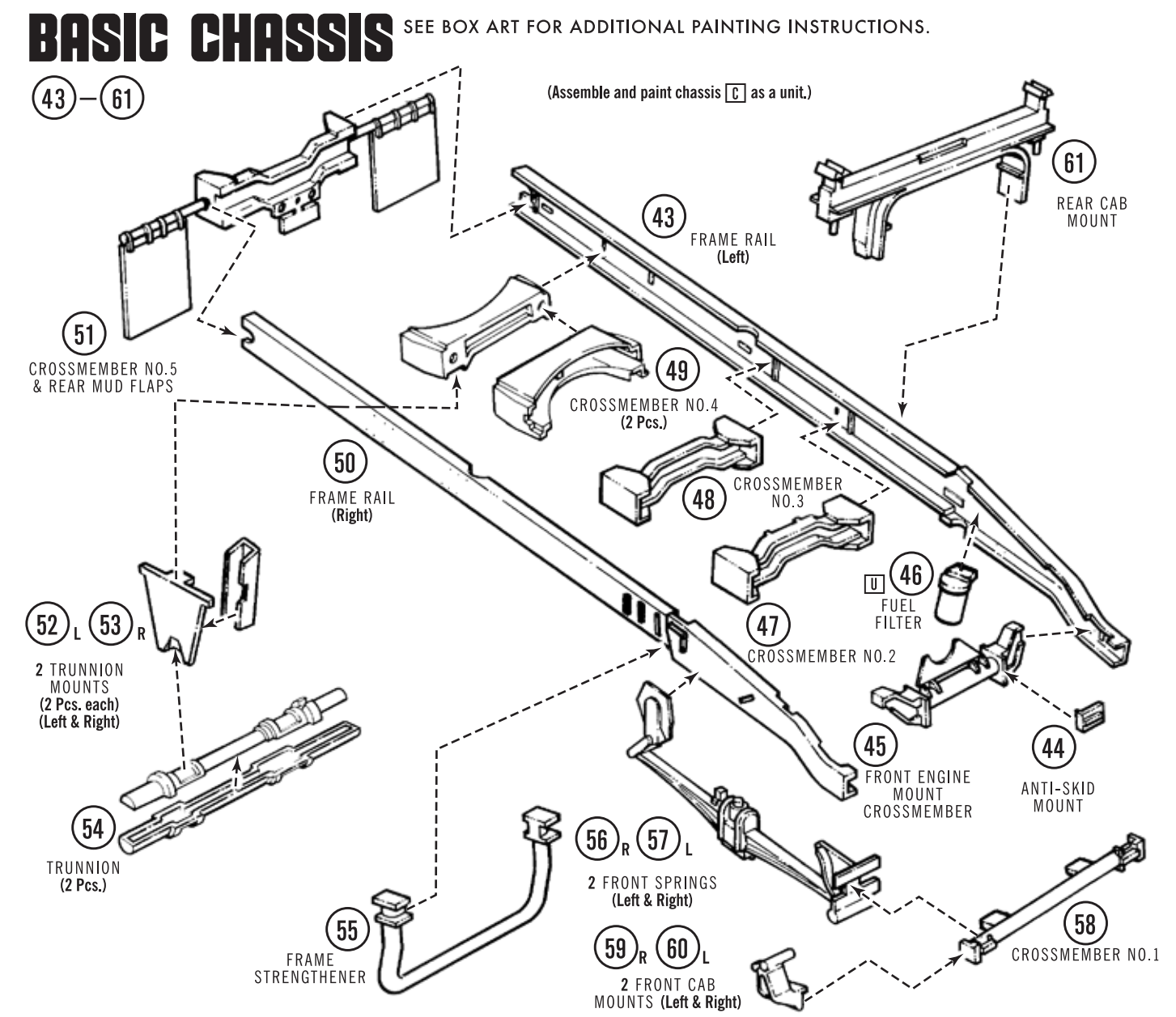
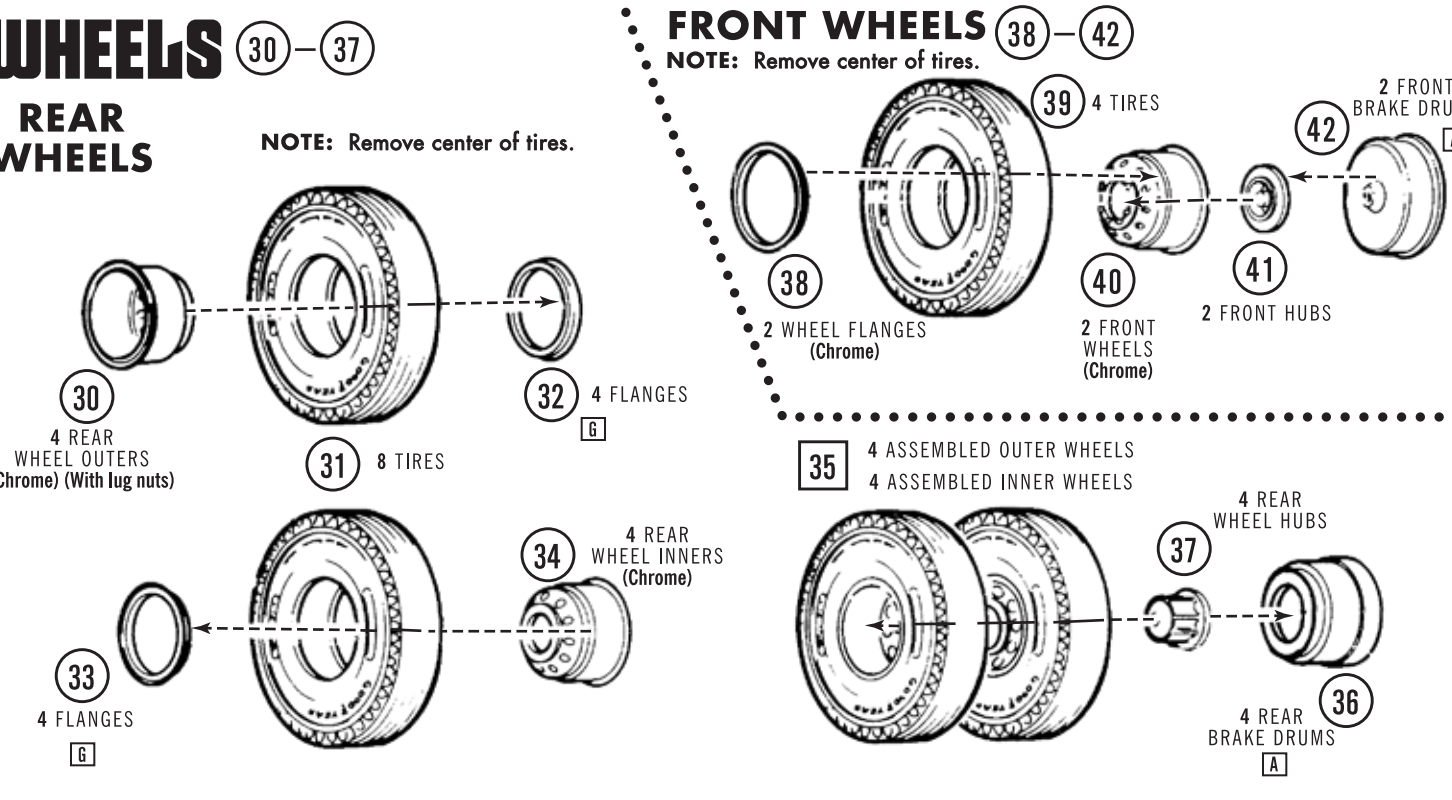
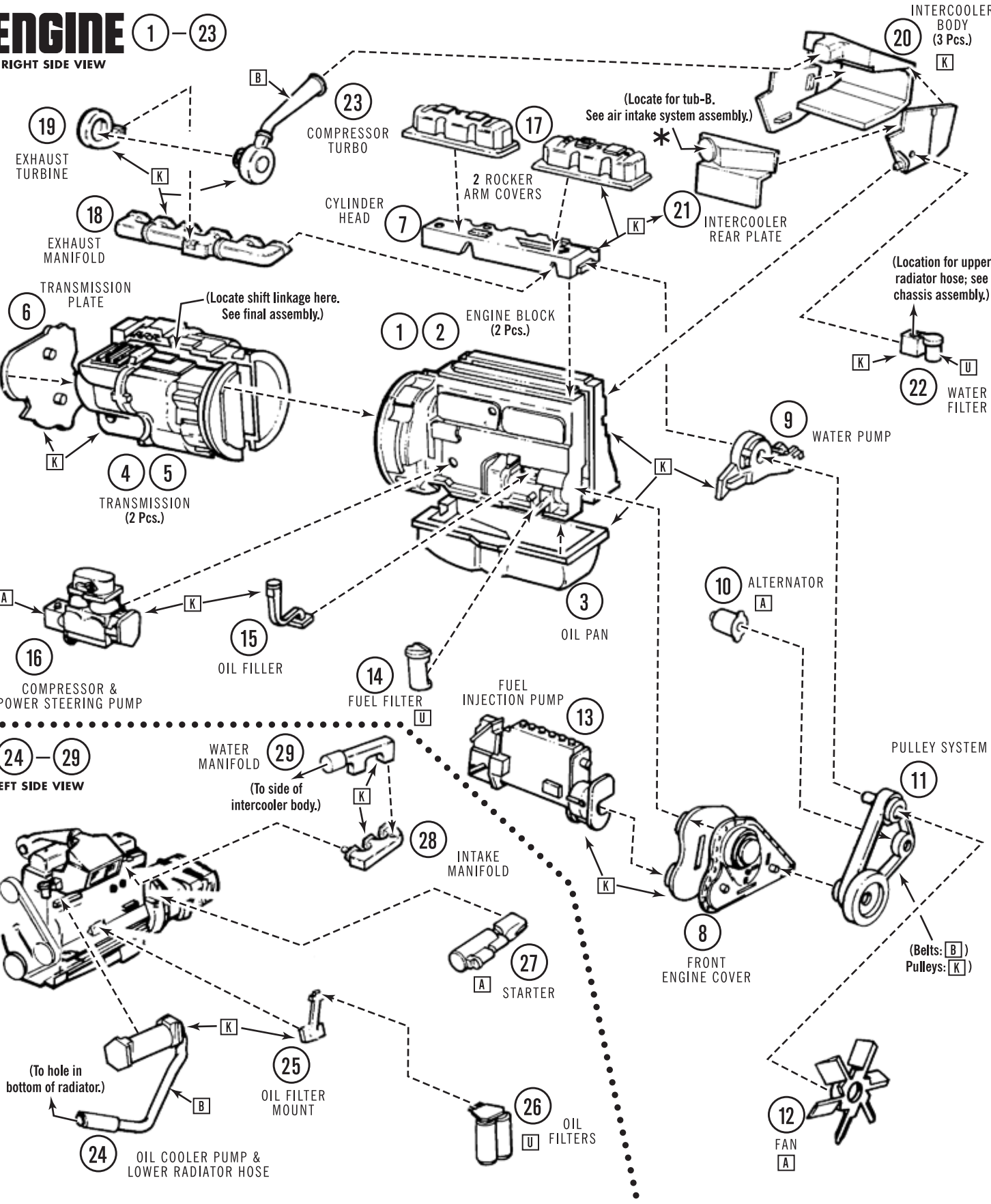
- ### IMPORTANT! READ THESE POINTS BEFORE YOU BEGIN
- 1** "TEST FIT" all parts before cementing. Trim excess plastic from parts before joining.
 - 2** Cement all parts unless otherwise indicated by the instructions.
 - 3** Use paint and cement made for styrene plastic only.
 - 4** Paint all sub-assemblies before attaching chrome parts.
 - 5** Scrape chrome and paint away from surfaces to be cemented together.
 - 6** Follow all of the numbers on the instruction sheet beginning with number one.

TOOLS

IMPORTANT NOTE: Do not remove parts from runners until ready to use.

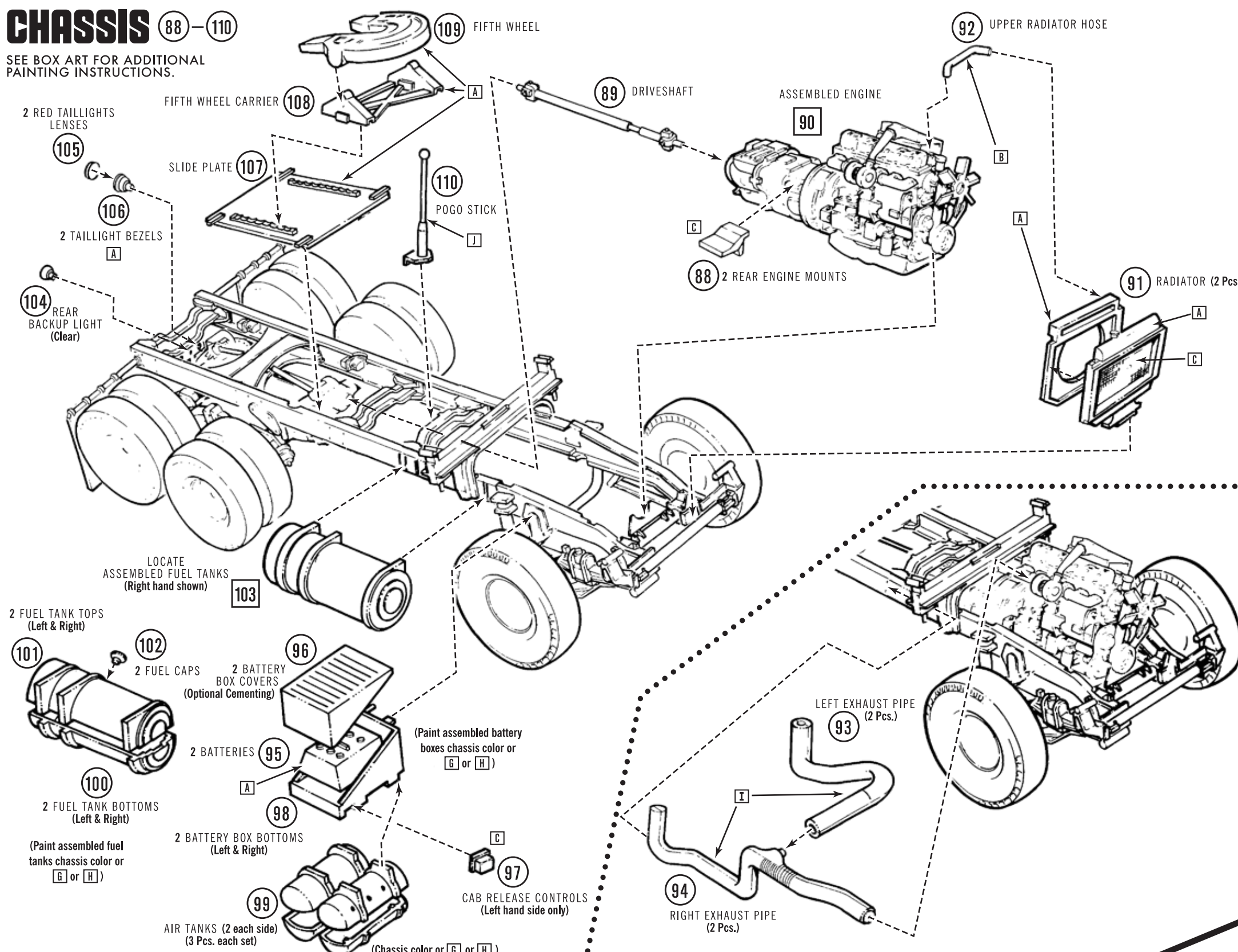
- TWEEZERS:** PICK UP AND HOLD SMALL PARTS.
- KNIFE TO REMOVE AND TRIM PARTS. FILE TO REMOVE EXCESS PLASTIC.**
- PAINT BRUSH TOOTH PICK TO APPLY IT.**
- TAPE, RUBBER BAND AND CLOTHES PINS TO CLAMP AND HOLD PARTS UNTIL THEY ARE DRY.**

PAINT COLORS CHART SHOWN IN "FINAL ASSEMBLY"



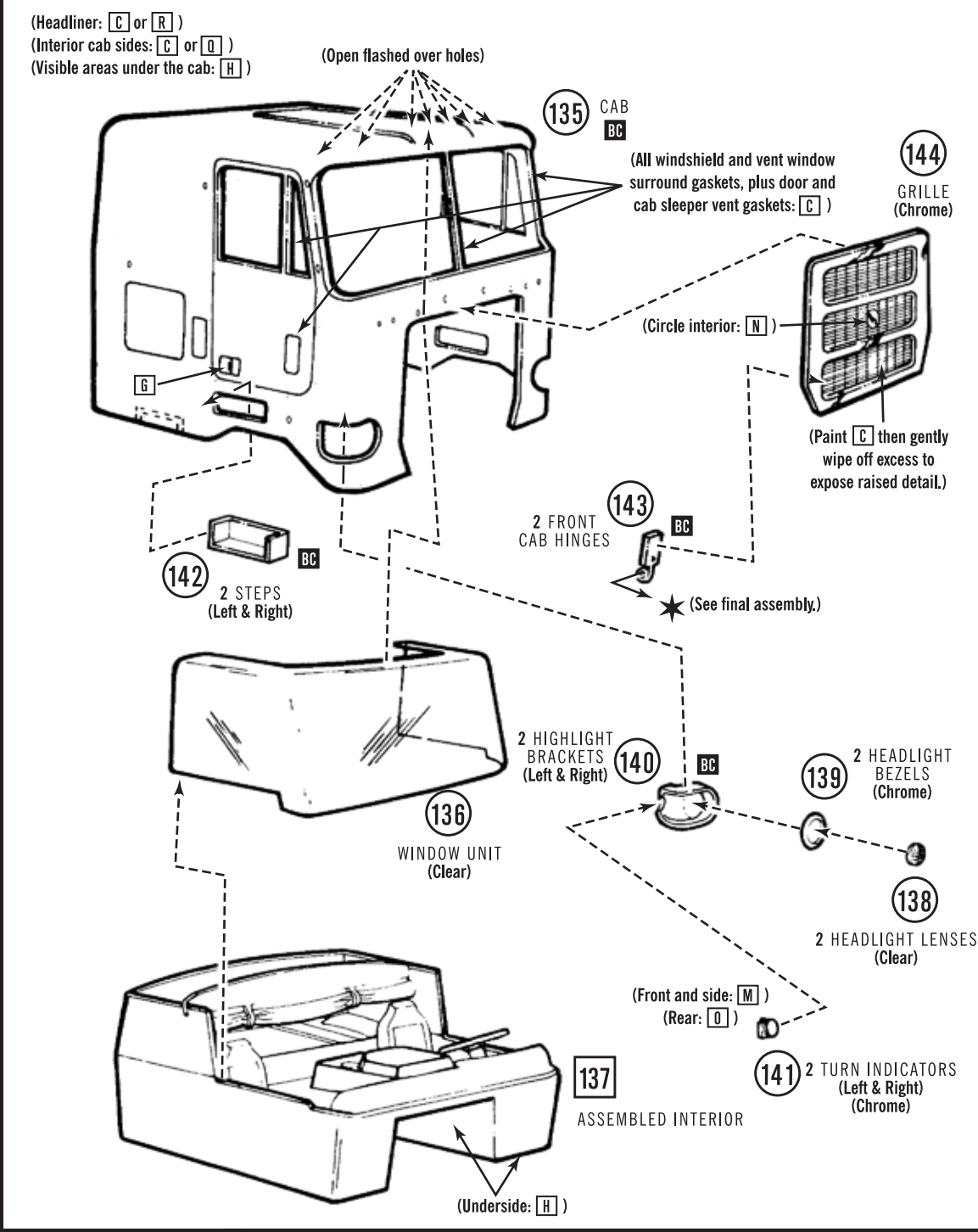
CHASSIS 88-110

SEE BOX ART FOR ADDITIONAL PAINTING INSTRUCTIONS.

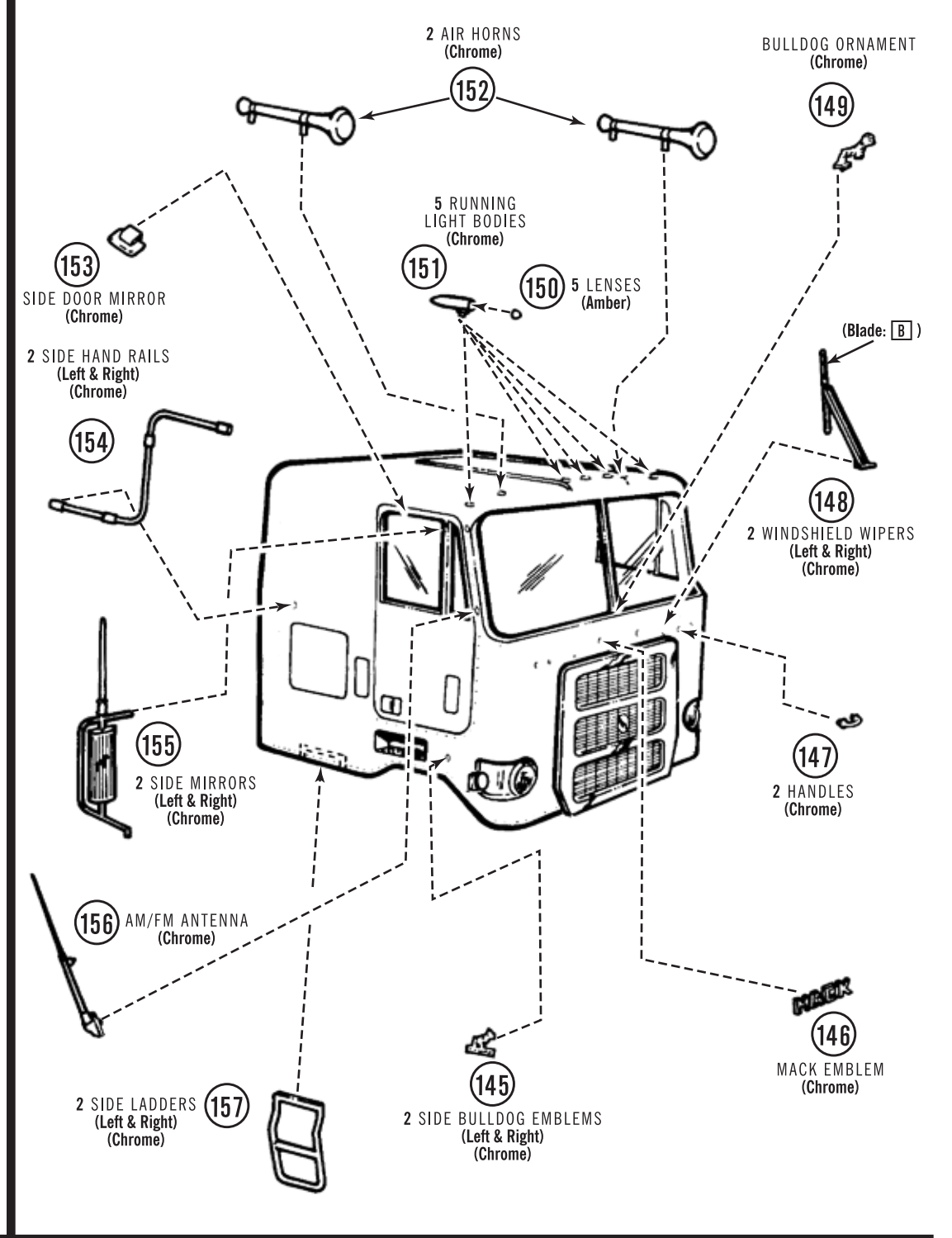


BASIC CAB 135-144

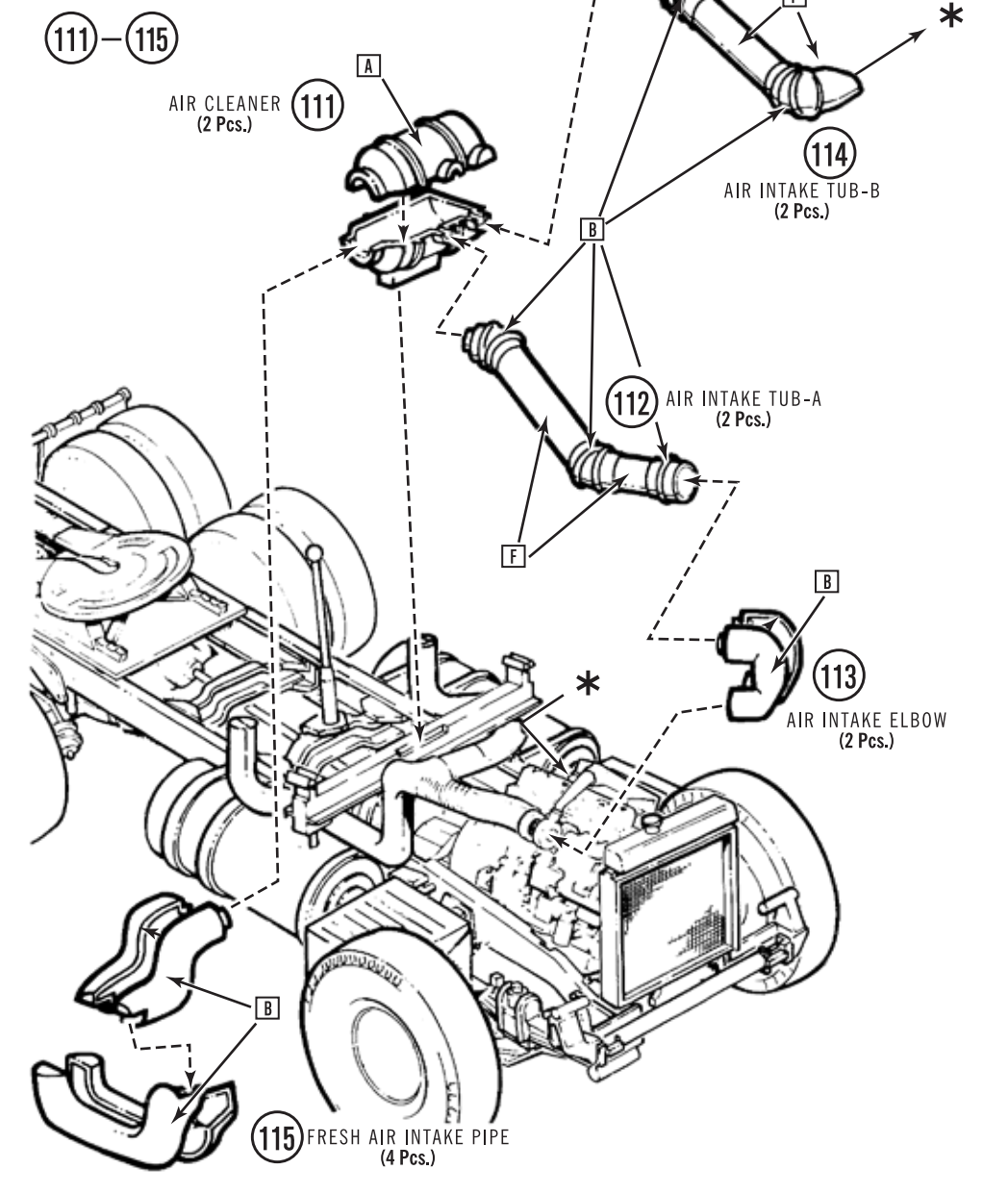
SEE BOX ART FOR ADDITIONAL PAINTING INSTRUCTIONS.



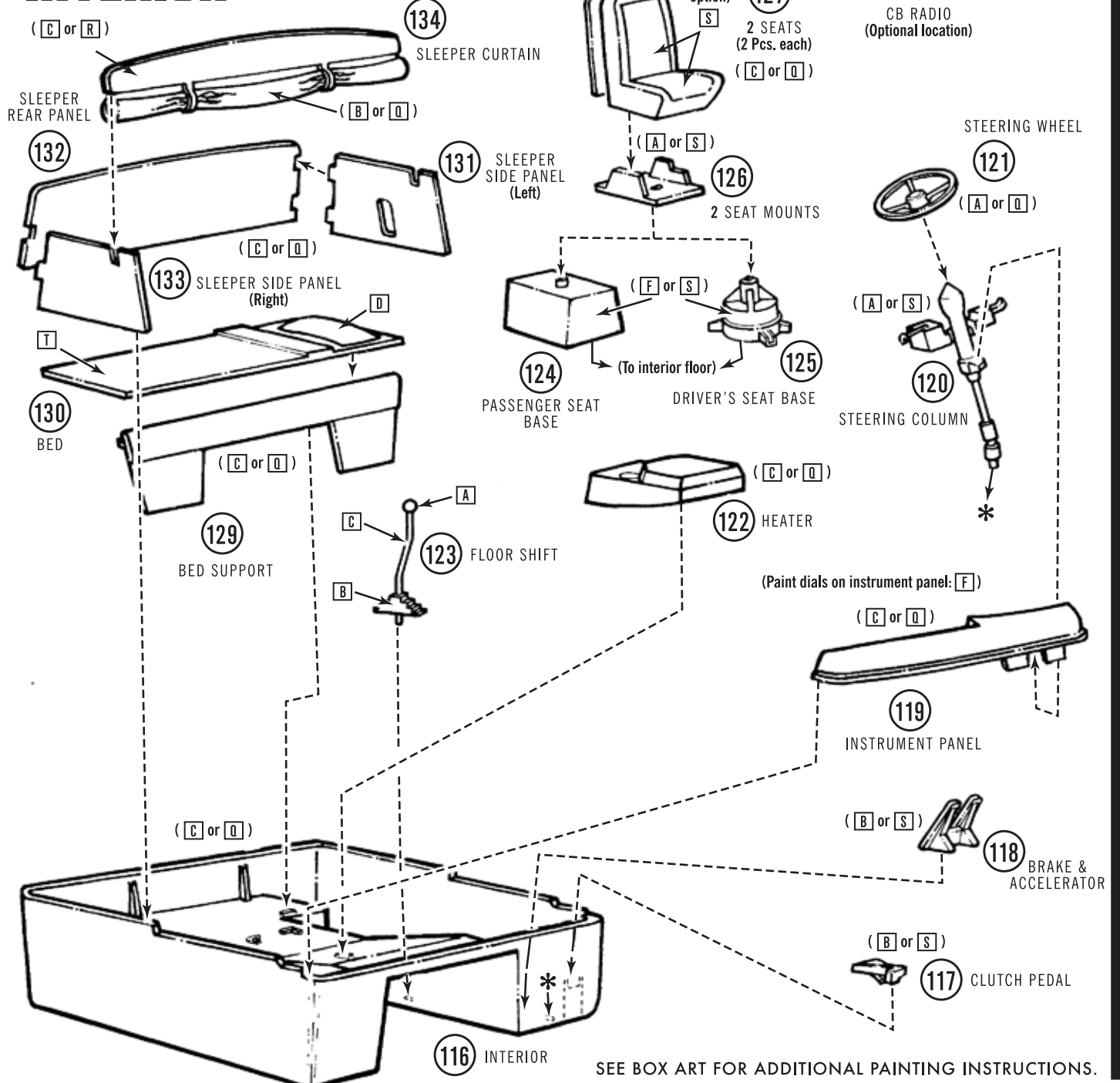
CAB ACCESSORIES 145-157



AIR INTAKE SYSTEM ASSEMBLY 111-115

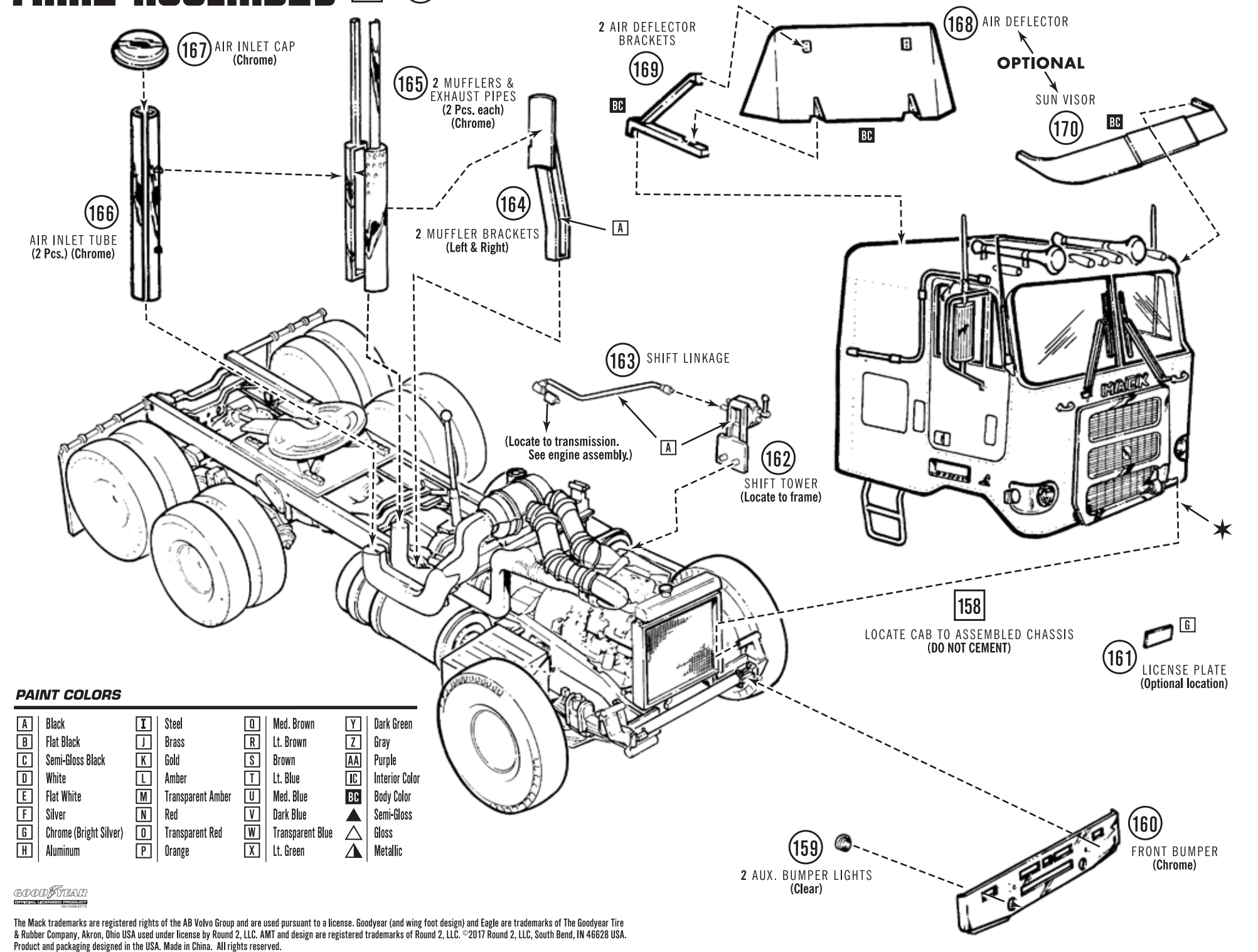


INTERIOR 116-134



FINAL ASSEMBLY 158-170

SEE BOX ART FOR ADDITIONAL PAINTING INSTRUCTIONS.



PAINT COLORS

[A] Black	[X] Steel	[U] Med. Brown	[Y] Dark Green
[B] Flat Black	[J] Brass	[R] Lt. Brown	[Z] Gray
[C] Semi-Gloss Black	[K] Gold	[S] Brown	[AA] Purple
[D] White	[L] Amber	[T] Lt. Blue	[AB] Interior Color
[E] Flat White	[M] Transparent Amber	[U] Med. Blue	[AC] Body Color
[F] Silver	[N] Red	[V] Dark Blue	[AD] Semi-Gloss
[G] Chrome (Bright Silver)	[O] Transparent Red	[W] Transparent Blue	[AE] Gloss
[H] Aluminum	[P] Orange	[X] Lt. Green	[AF] Metallic

The Mack trademarks are registered rights of the AB Volvo Group and are used pursuant to a license. Goodyear (and wing foot design) and Eagle are trademarks of The Goodyear Tire & Rubber Company. Akron, Ohio USA used under license by Round 2, LLC. AMT and design are registered trademarks of Round 2, LLC. ©2017 Round 2, LLC, South Bend, IN 46628 USA. Product and packaging designed in the USA. Made in China. All rights reserved.

SEE BOX ART FOR ADDITIONAL PAINTING INSTRUCTIONS.