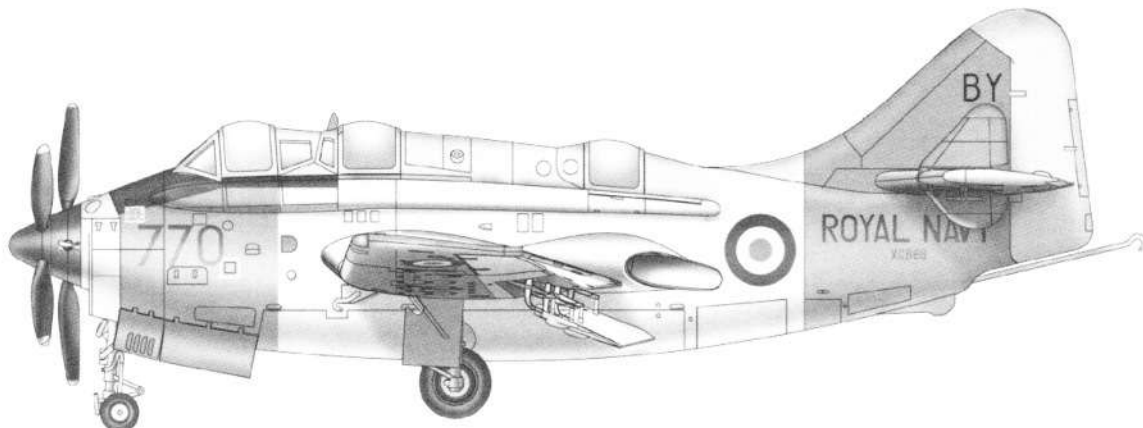


1:72 SCALE

ITEM NO. 01630

BRITISH "Gannet" T.MK.2

英国 "塘鹅" T.MK.2



READ BEFORE ASSEMBLY:

- This kit is not recommended for inexperienced modelers or for children under 14 years of age
- Study and understand these instructions thoroughly before beginning assembly
- When needed, remove photo-etch parts carefully using a modeling knife or photo etch sprue cutter, being careful not to damage or lose small parts.
- Take extra care in handling photo etch parts in order to avoid injury
- Apply instant cement sparingly to photo etch parts where instructed
- Tools recommended(not included in kit):Plastic and instant cements,sprue cutters,long nose pliers,,modeling knife, small files, tweezers, pin vise & scissors. Soft cloth and sandpaper will also assist in construction
- Glue and paint are not included in the kit. Use plastic cement and hobby paints only. Color guide for purchasing paint is included in the kit.
- Keep out of reach of small children. They must not be allowed to ingest small parts or handle plastic bags in any way.

装配之前仔细阅读

- 小心用模型锉刀锉平所有零件表面的注射浇口。
- 小心用刀片切下蚀刻片零件，不要遗失小零件。
- 用强力快干胶水粘合蚀刻片零件和金属轴。过量的快干胶水使用可能导致可动零件会粘住，小心涂胶。
- 取蚀刻片时应特别注意安全，防止利边划伤手指。
- 某些零件表面需贴水上贴纸，请选择在装配的同时进行。
- 推荐模型工具(自备)：胶水，水口剪刀，长咀钳，刀片，锉刀，镊子，钳，钻，剪刀，瞬间快干胶。
- 软布同砂纸同时也应该是必备工具。
- 请使用塑料胶水和油漆，模型内不含。
- 谨防小孩吸吮塑料零件，或者将塑料袋套在头上，制作时应将套材远离小孩接触。
- 本产品不适合14岁以下没有经验的模型爱好者。



贴纸
Decal



锉平
File / Sand



选择
Option



不涂胶水
No cement



弯曲
Bend



使用强力胶
Cyanoacrylate glue



配重
Weight



钻孔
Make hole



切除
Cut / Remove

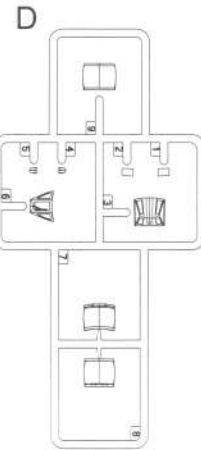
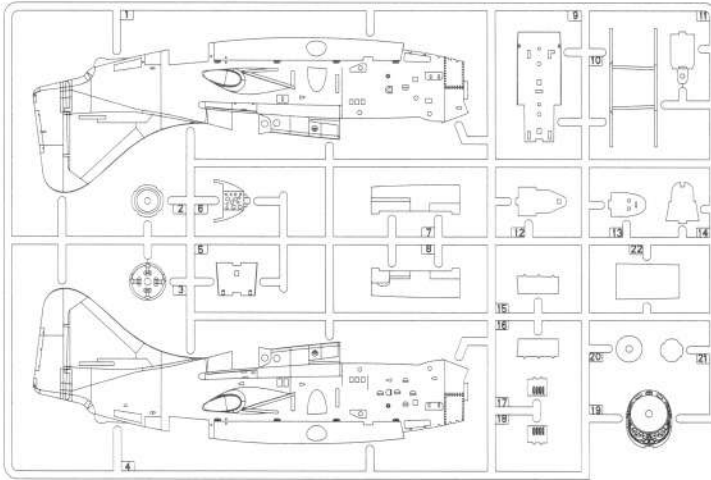
水贴纸的使用:

1. 从水贴上剪下印花;
2. 将印花放入温水中浸10秒, 然后放在干净布上。
3. 拿着印花纸板将印花移到模型上;
4. 手指蘸水将印花移到适当的位置;
5. 用软布轻压印花直至水干, 汽泡消失。

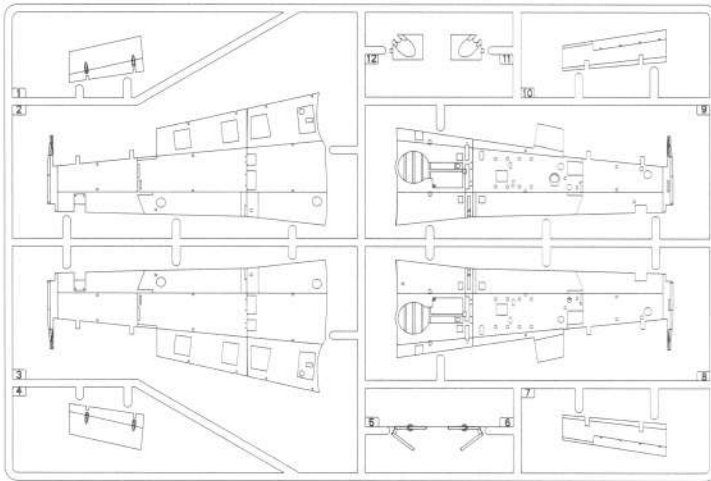
DECAL APPLICATION

1. Cut off decal from sheet.
2. Dip the decal in tepid water 40°C for about 10 sec. and place on a clean cloth.
3. Hold the backing sheet edge and slide decal onto the model.
4. Move decal into position by wetting decal with finger.
5. Press decal gently down with a soft cloth until excess water and air bubbles are gone.
6. Allow decal to dry completely before handling model.

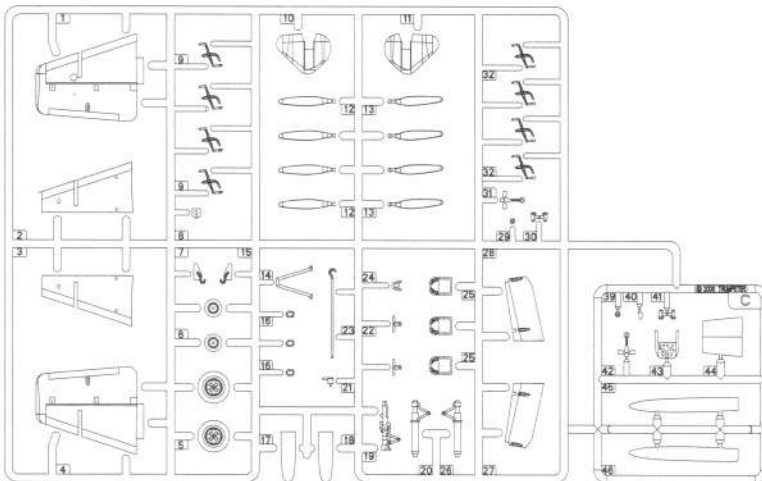
A



B



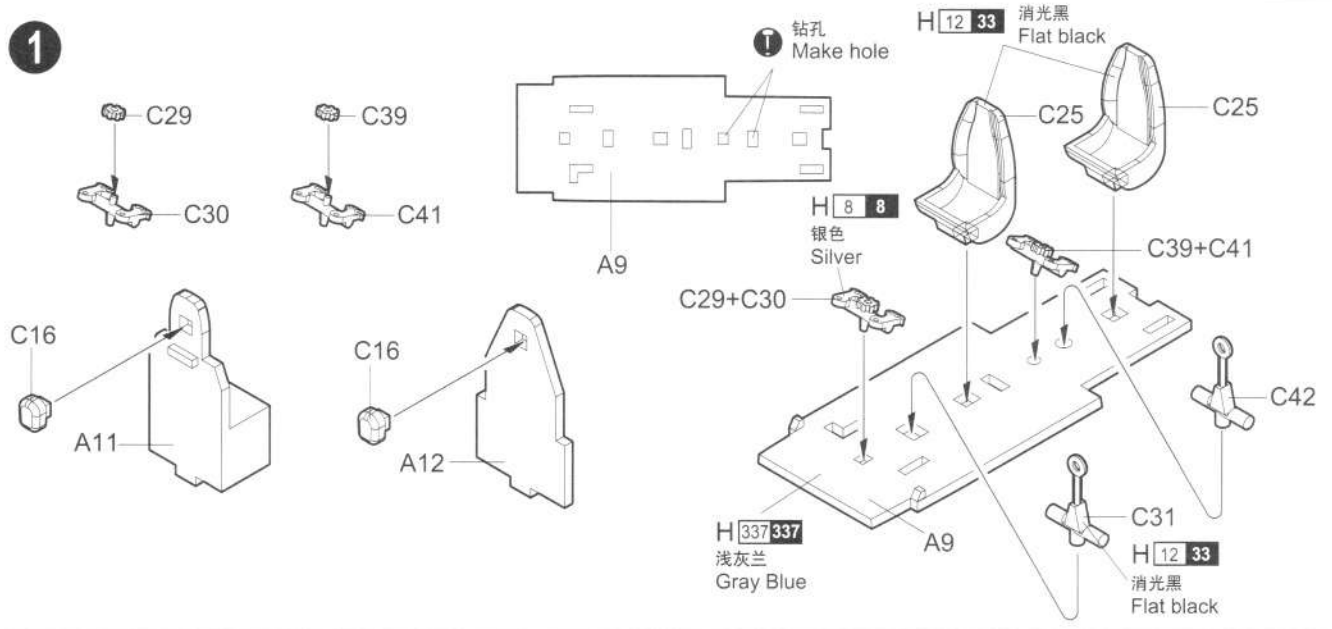
C



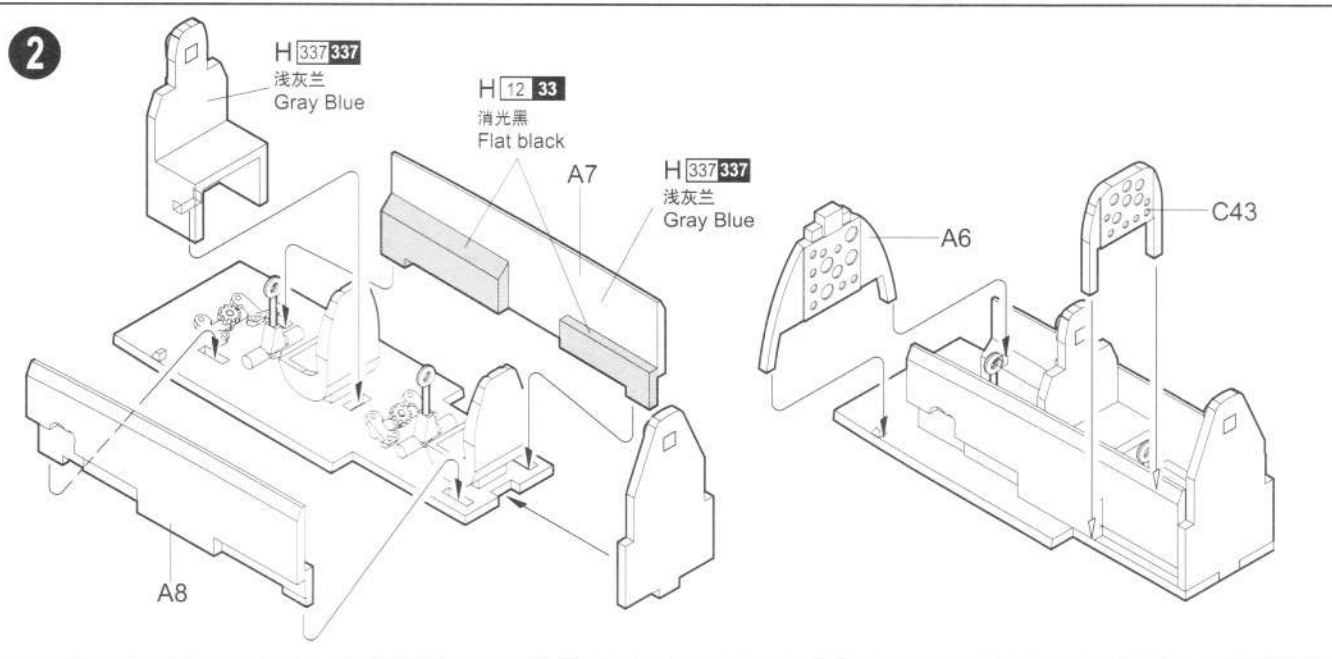
水貼紙
Decal



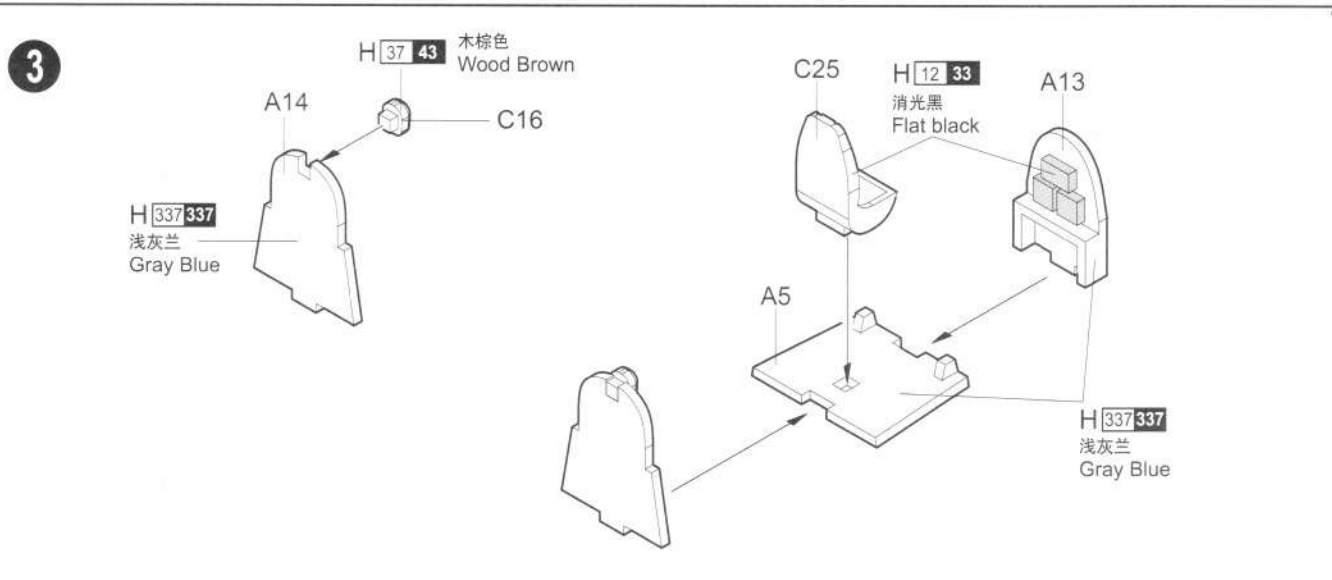
1



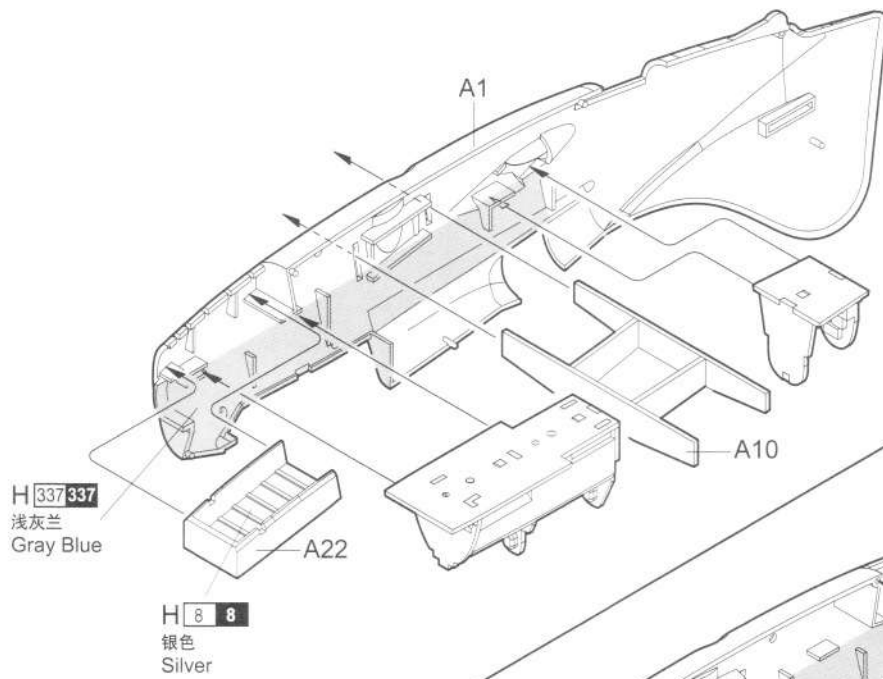
2



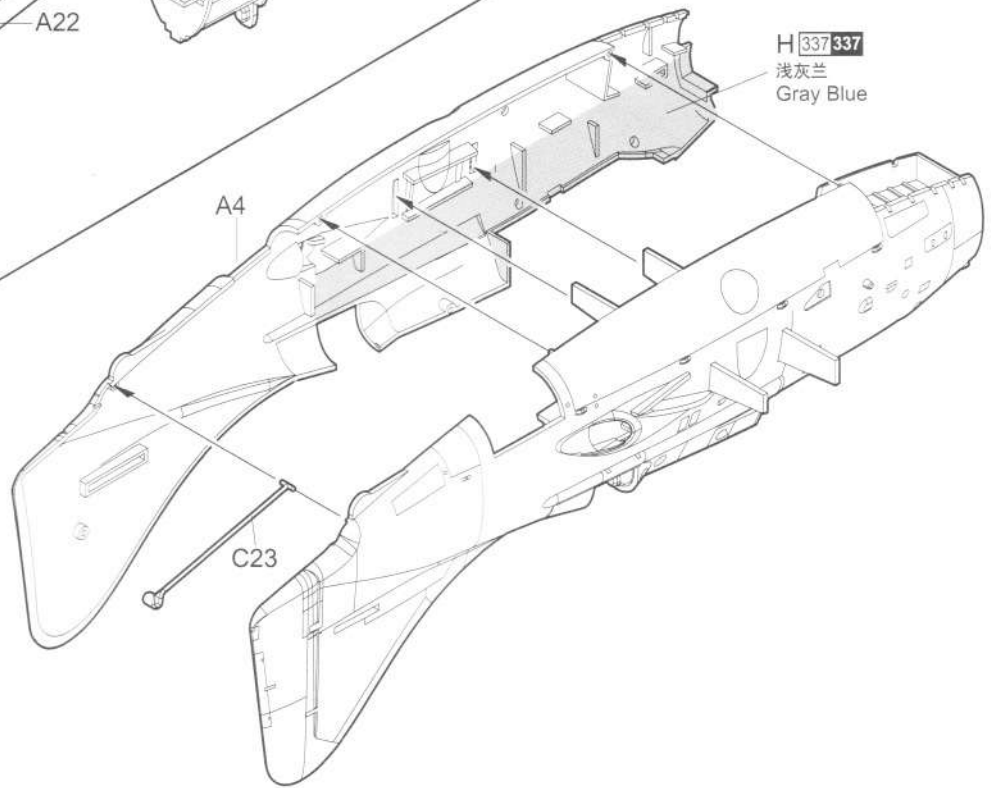
3



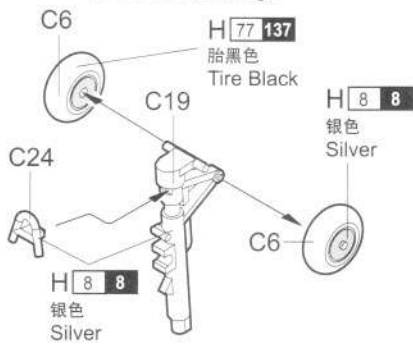
4



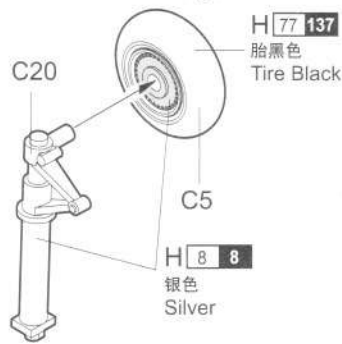
5



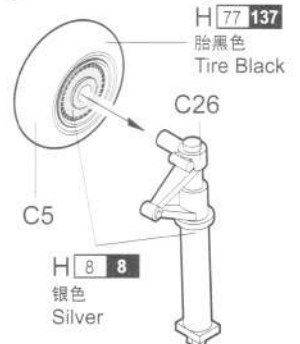
<<前起落架>>
Nose undercarriage



<<左侧主起落架>>
Left main undercarriage

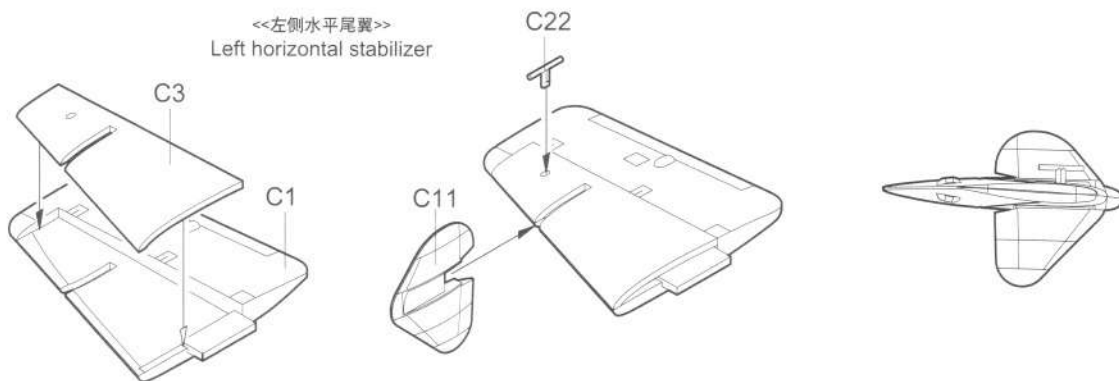


<<右侧主起落架>>
Right main undercarriage



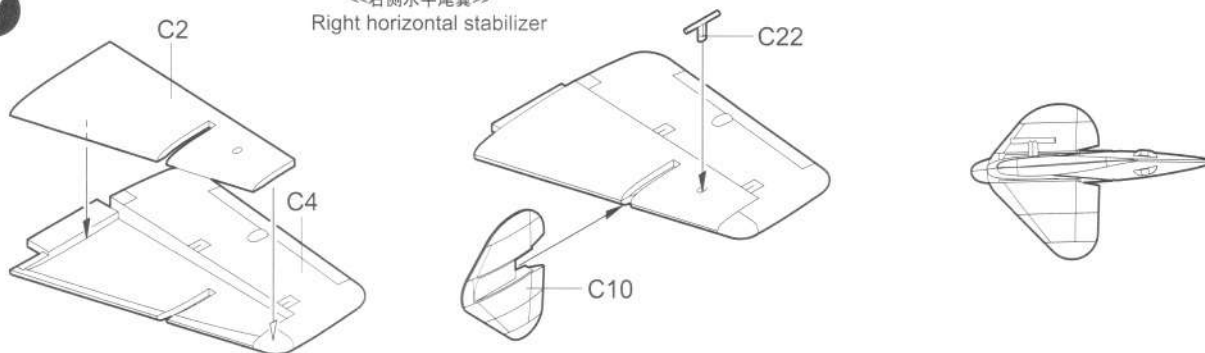
6

<<左侧水平尾翼>>
Left horizontal stabilizer

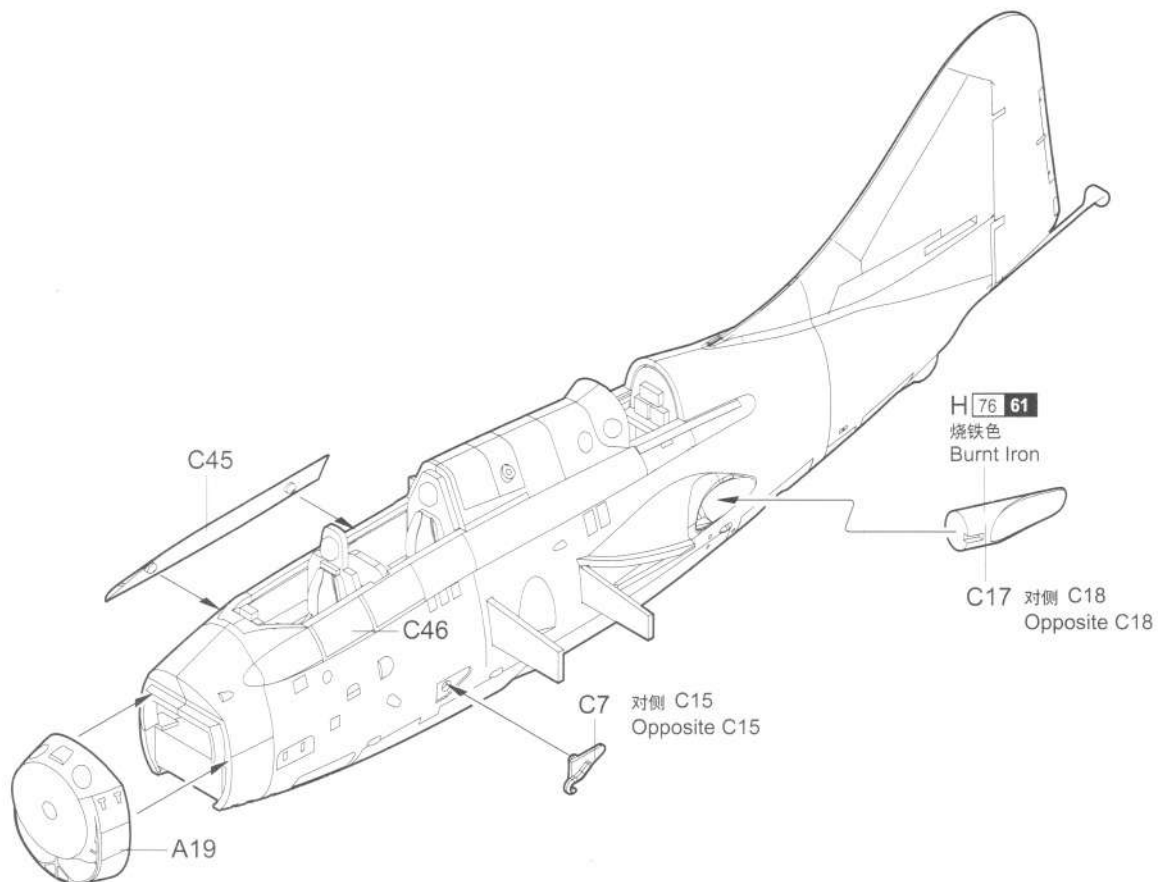


7

<<右侧水平尾翼>>
Right horizontal stabilizer



8

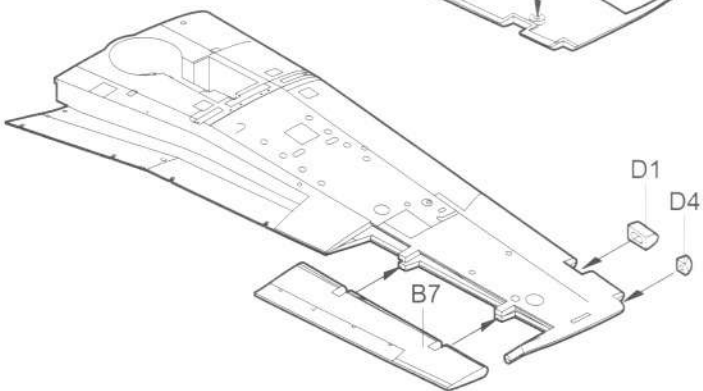


9

B3

<<左侧机翼>>
Left wing

B8



D1

D4

B7

H 8 8
银色
Silver

C32

C9

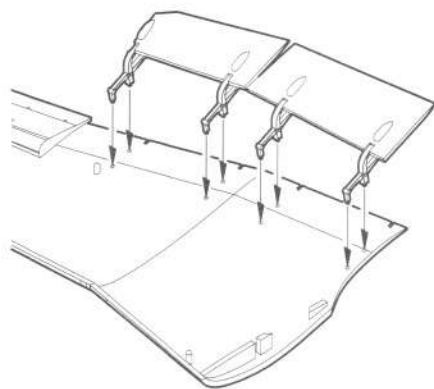
C9

C32

C32

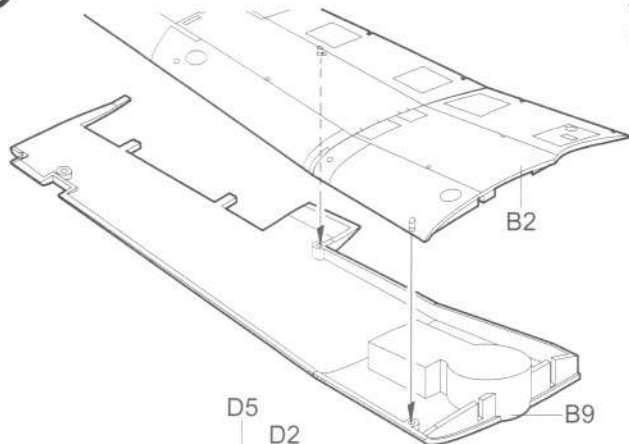
B1

C28



10

<<右侧机翼>>
Right wing



B2

B9

D5

D2

B10

H 8 8
银色
Silver

C9

C32

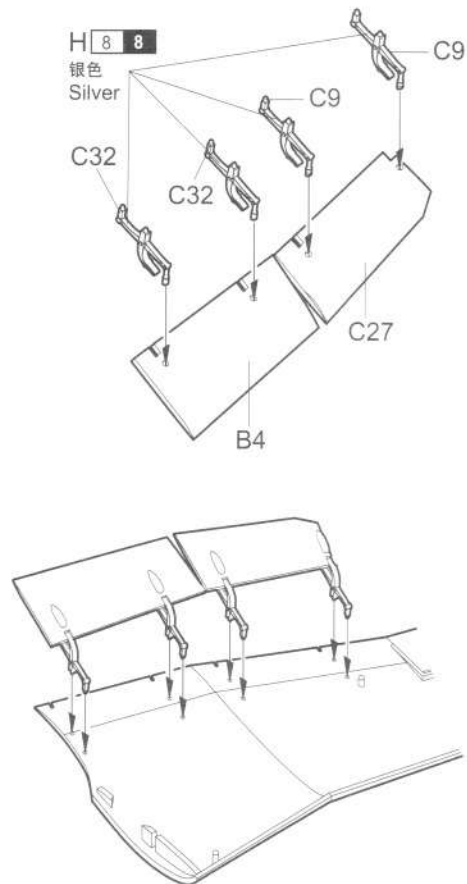
C9

C32

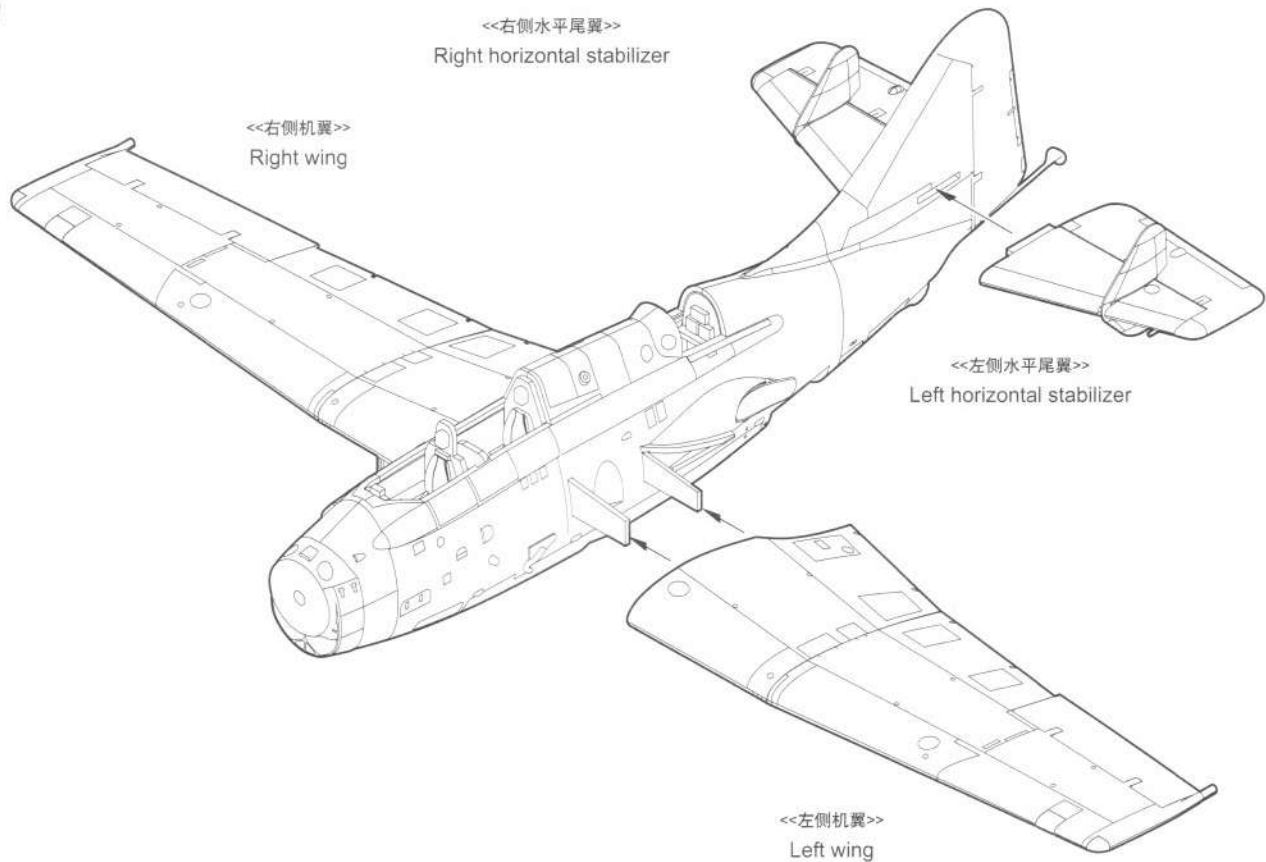
C9

C27

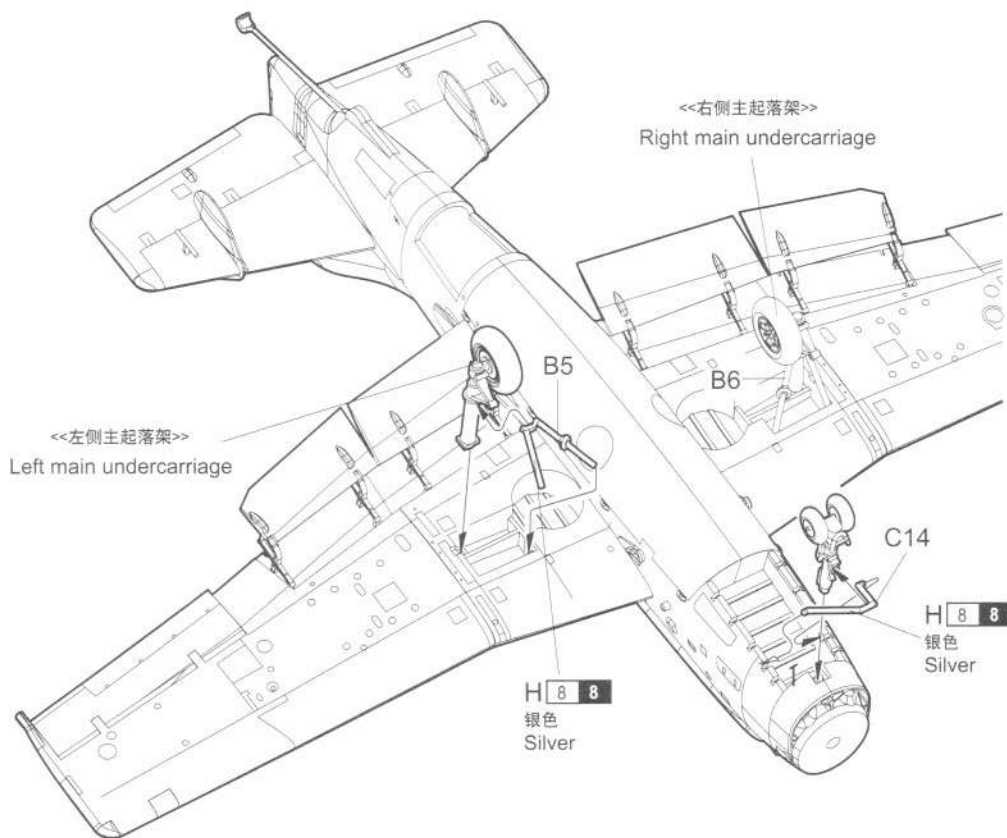
B4

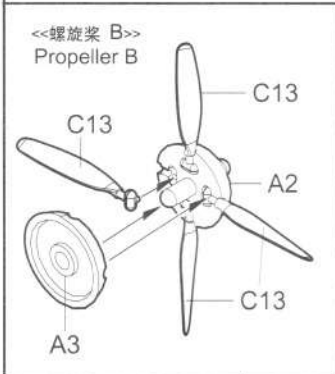
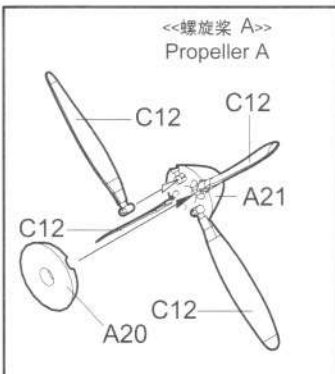


11

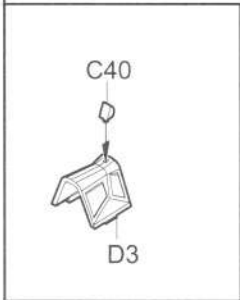
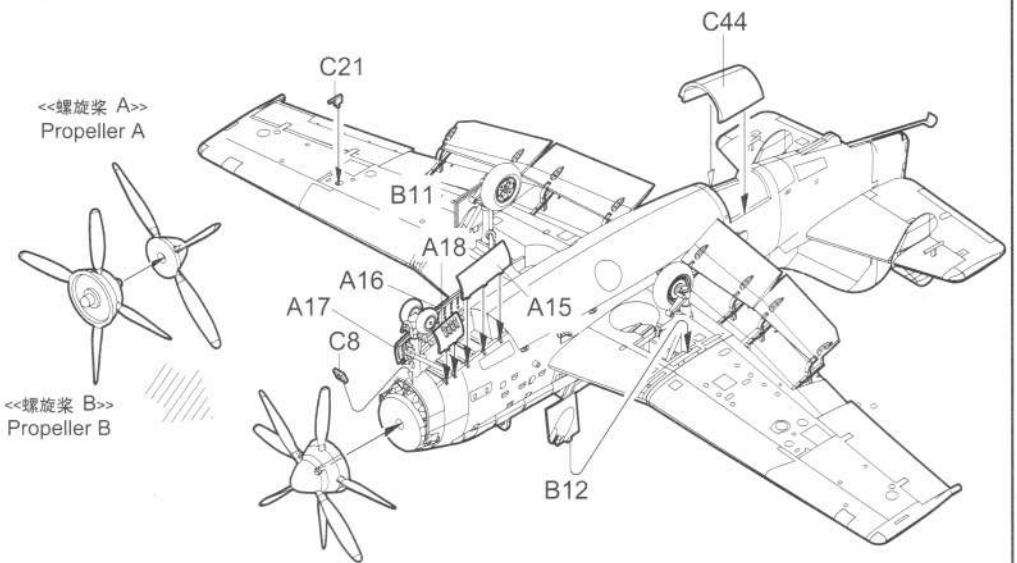


12

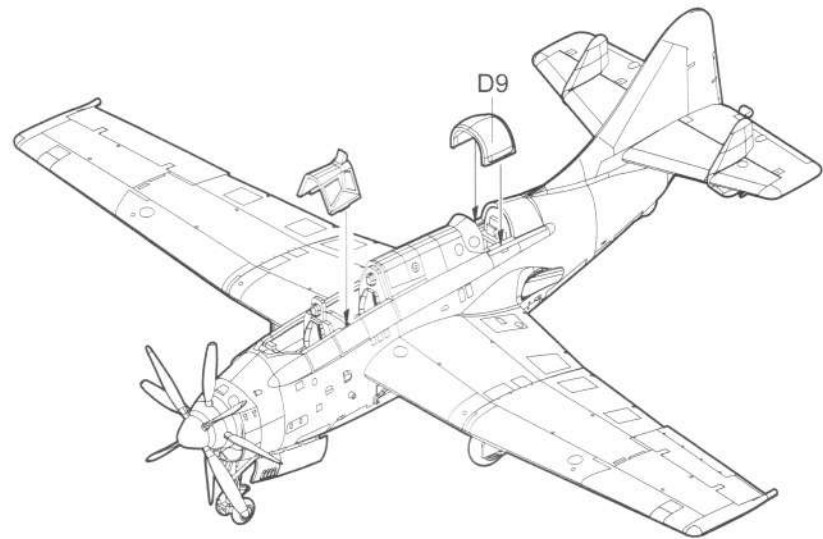




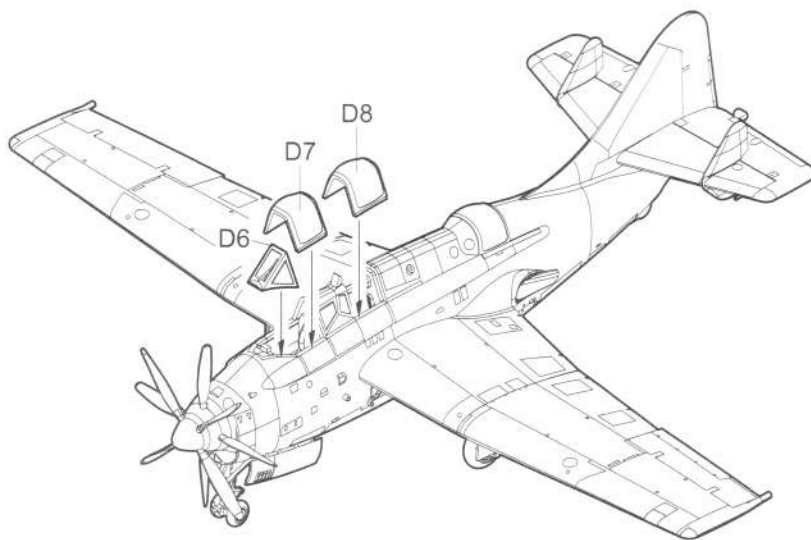
13



14



15

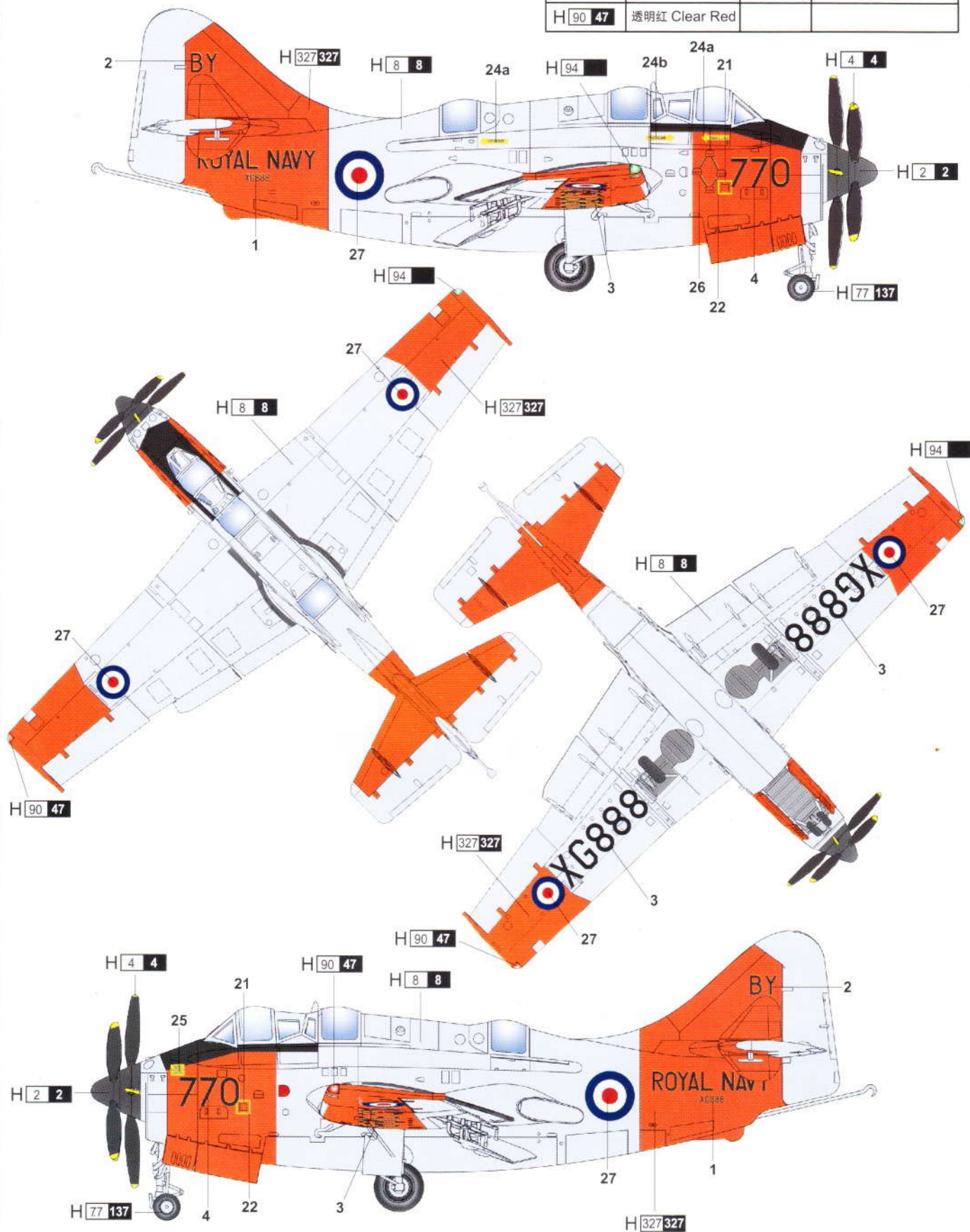


涂装同标贴指示
Painting & Marking guide

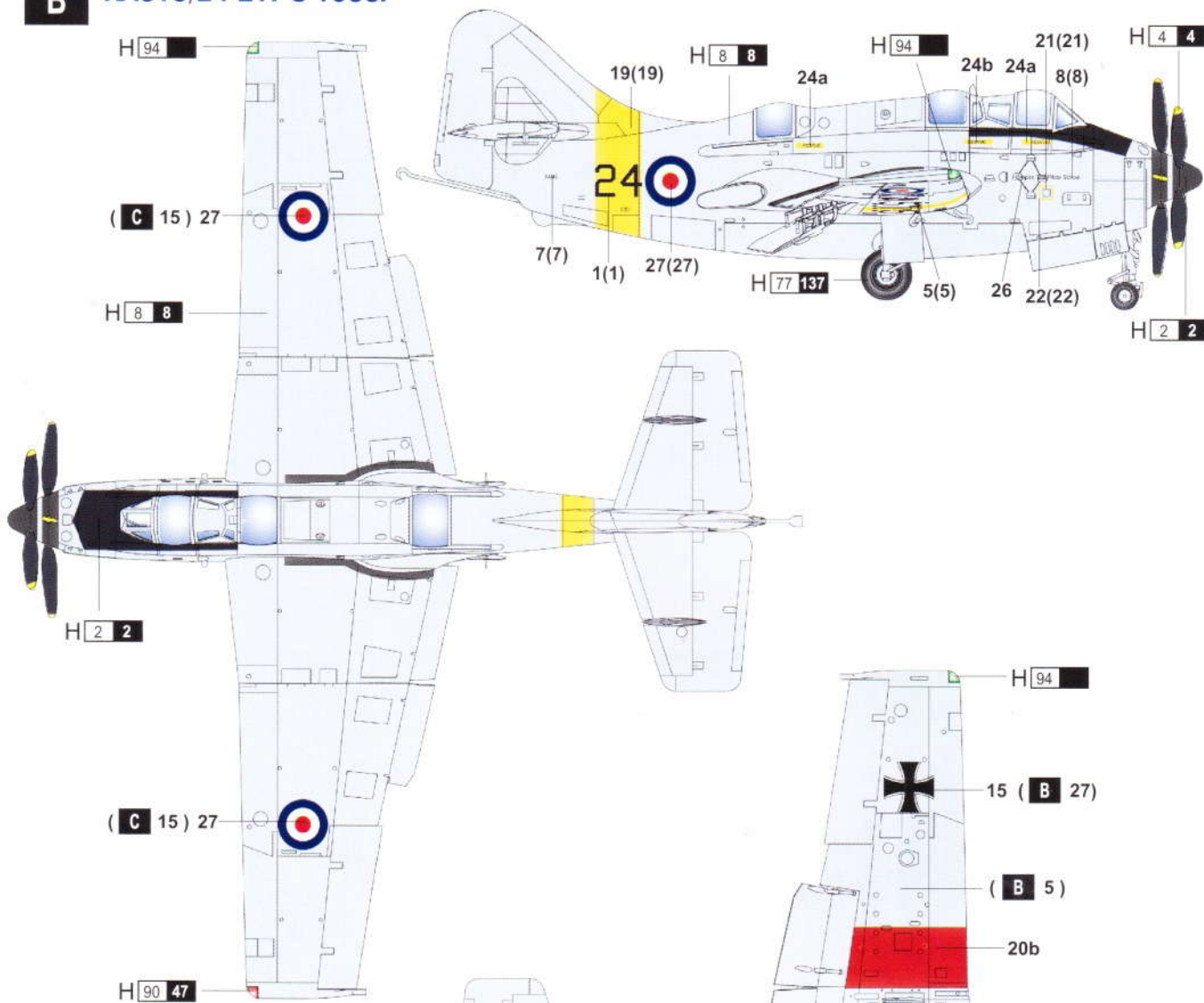
郡仕色使用 Gunze Mr. color used

A XG888/770 - BY, 849HFG 1969.

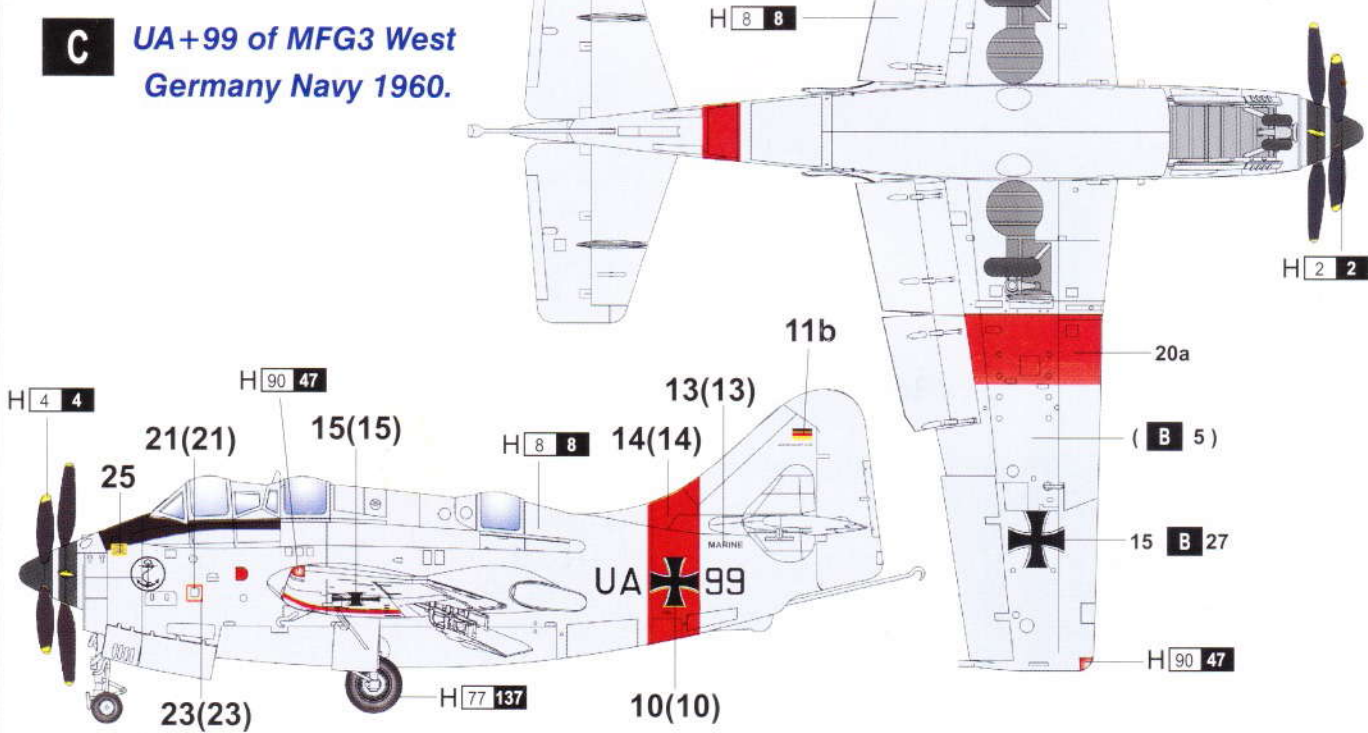
Gunze			
H 2 2	黑色 Black	H 94	透明绿 Clear Green
H 4 4	黄色 Yellow	H 77 137	胎黑色 Tire Black
H 8 8	银色 Silver	H 327 327	红色 Insignia Red
H 90 47	透明红 Clear Red		



B XA515/24 ETPS 1958.



C UA+99 of MFG3 West Germany Navy 1960.



H [X] GUNZE SANGYO AQVEOUS HOBBY COLOUR X GUNZE SANGYO MR COLOUR

ROYAL NAVY

BY² BY¹ ROYAL NAVY

XG888³ XG888⁷⁷⁰ XG888⁴ 770

XA515⁵ XA515

24⁶ 24 XASIS⁷ XASIS Empire Test Pilots School⁸ Empire Test Pilots School

XA524¹⁶ ROYAL NAVY¹⁷ XA524 ROYAL NAVY¹⁷ XA524

320¹⁸ 320 XA524¹⁶

