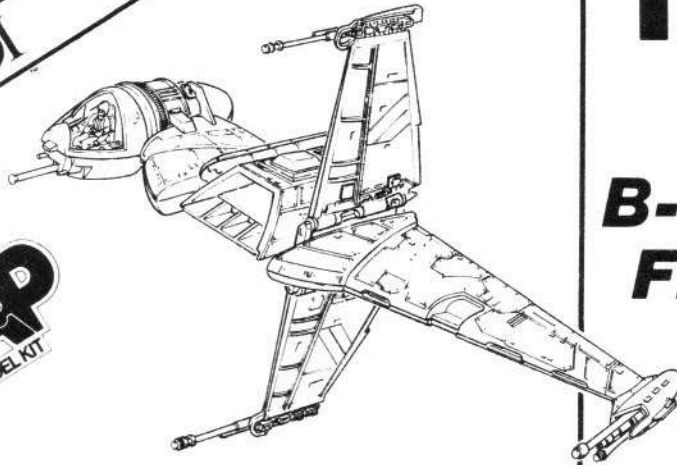


B-Wing Fighter™

STAR WARS
RETURN OF THE JEDI

IT'S A
SNAP
MODEL KIT



TM & © Lucasfilm Ltd. (LFL) 1983 All Rights Reserved.
Fundimensions, Division of CPG Products Corp., Authorized user.

- Study assembly drawings carefully before starting.
- Your model may be painted to match the box photos.
- Follow the step numbers 5 in each assembly drawing.
- Allow paint to dry thoroughly before handling.
- Refer to last page for decal and painting instructions.

5 — STEP NUMBERS

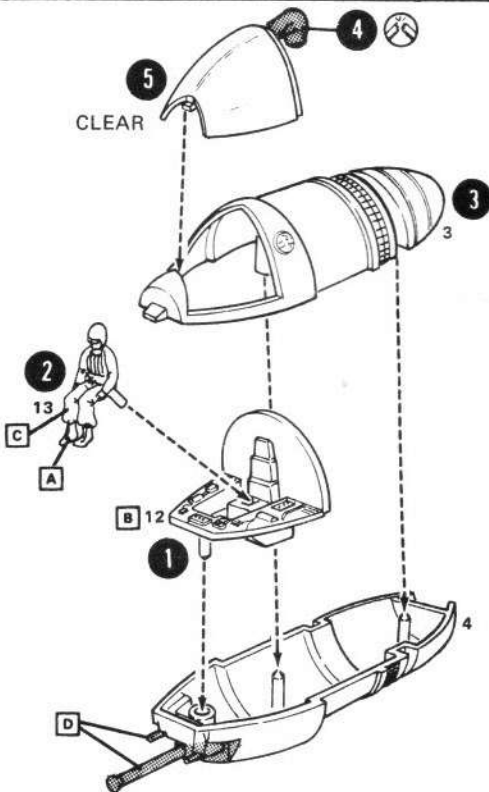
32 — PLASTIC PART NUMBERS

— REMOVE

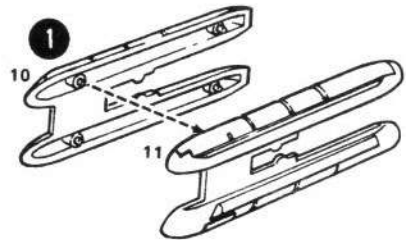
— REPEAT SEVERAL TIMES

— DECAL

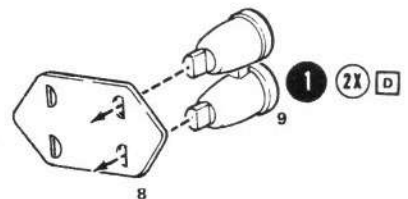
1



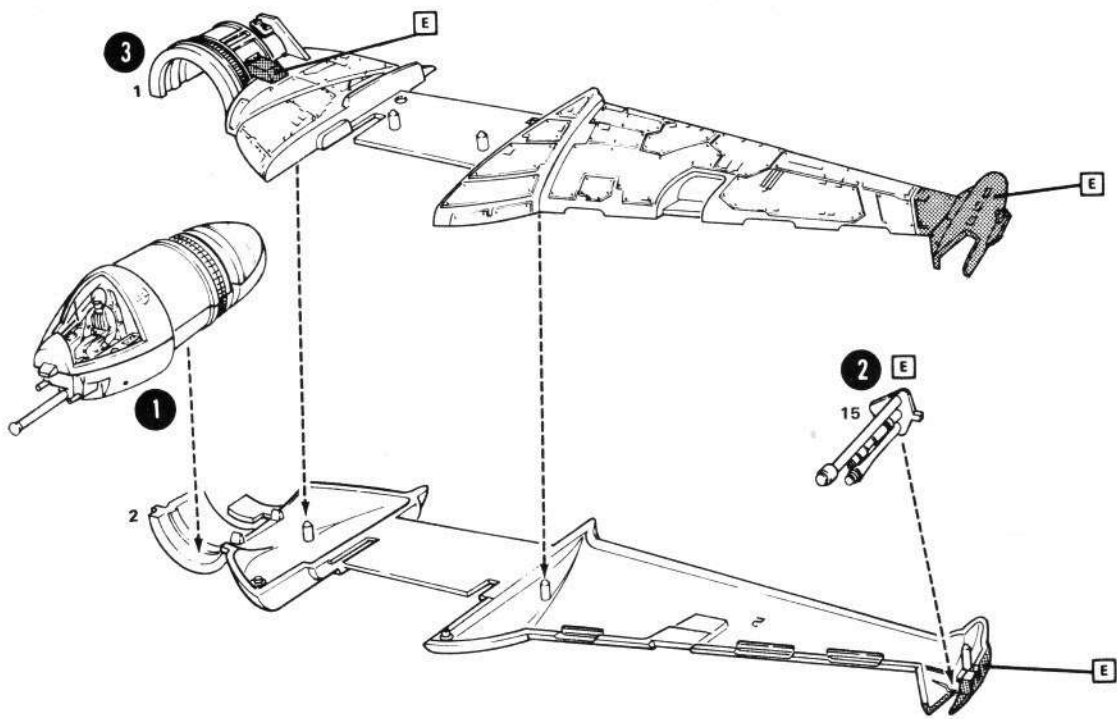
2



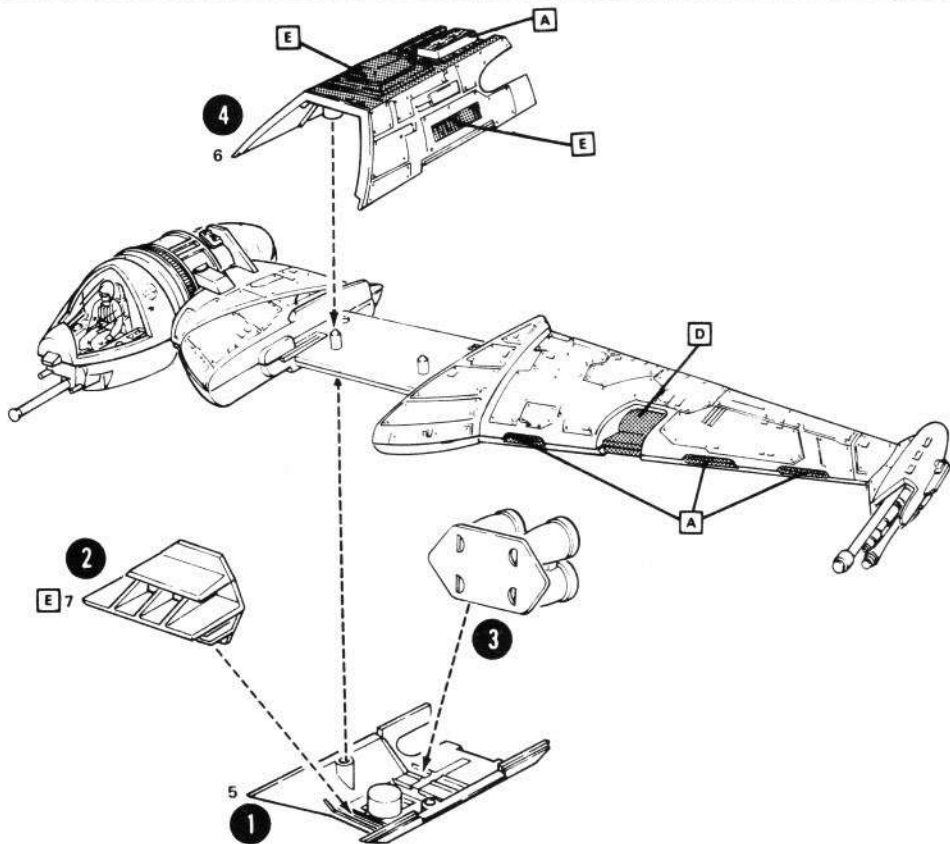
3



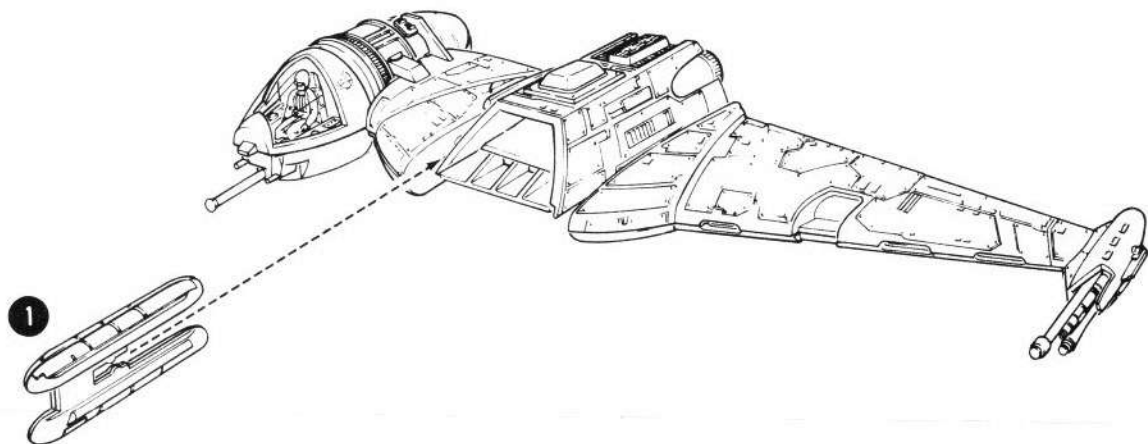
4



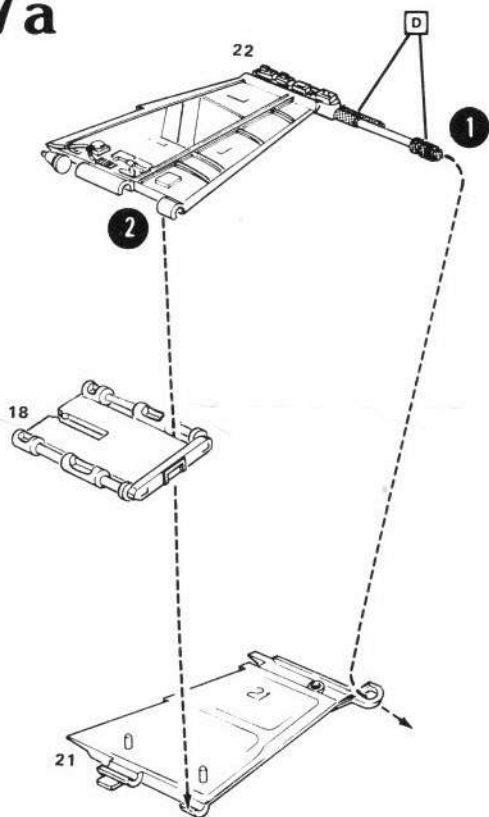
5



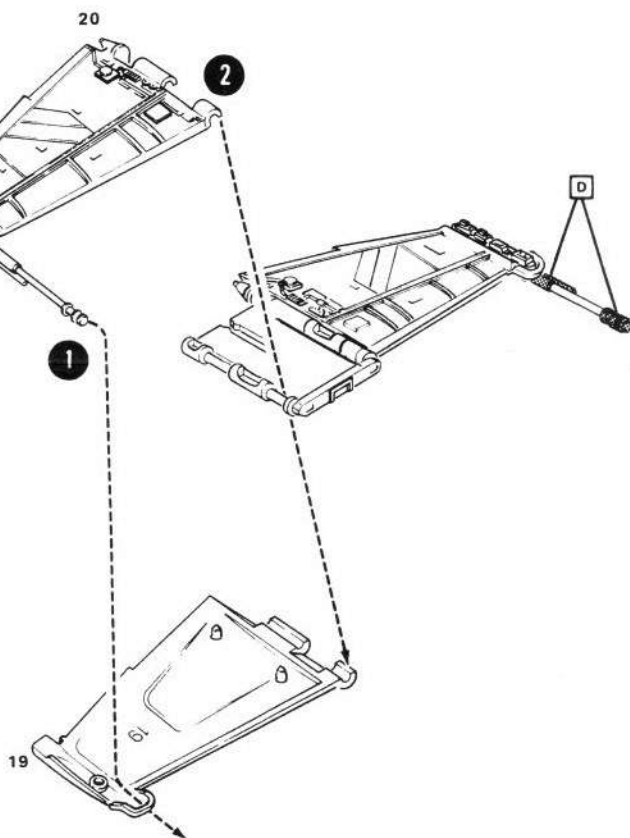
6



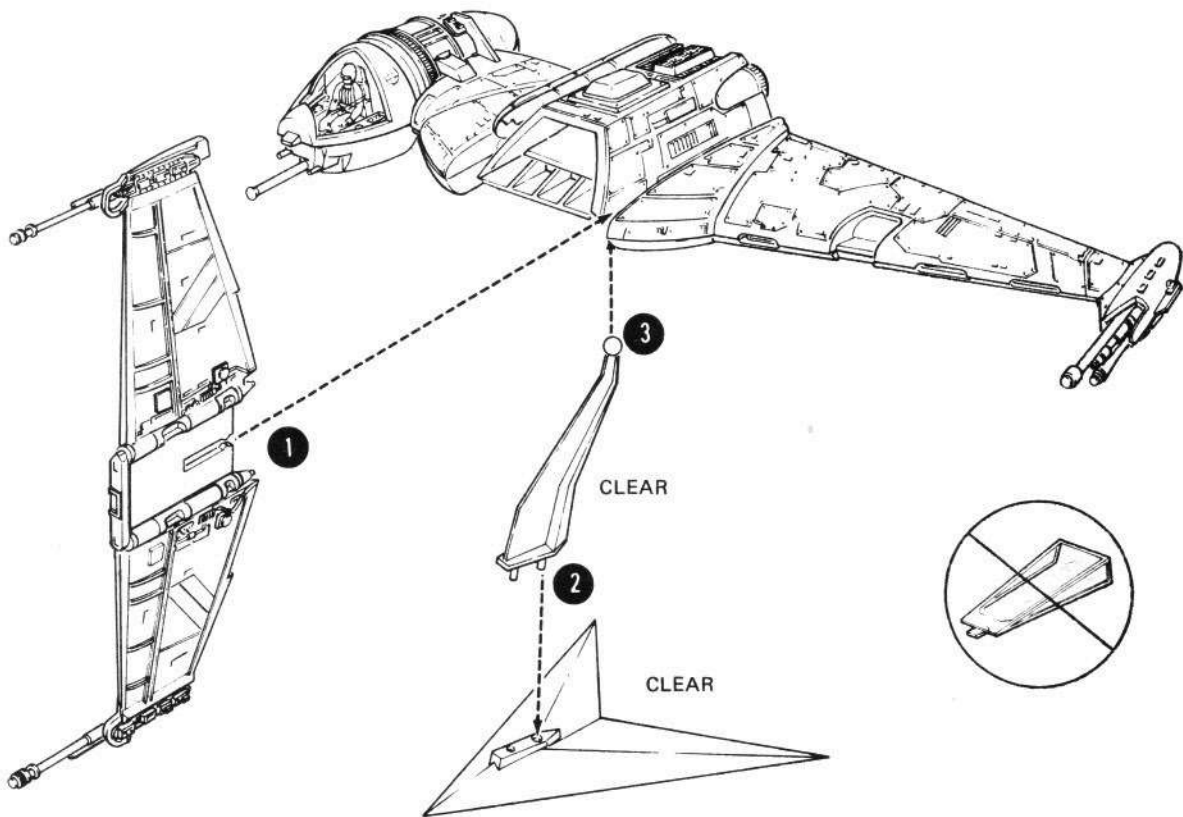
7a



b



8



9

PAINT SCHEME

A	BLACK
B	SILVER
C	ORANGE
D	DK. GREY
E	MED. GREY

