

672 357 L-39 ejection seats
for Eduard kit - pro stavebnici Eduard



R4 2pcs.

eduard
BRASSIN
Printo

1/72 scale



COLOURS

GSI Creos (GUNZE)			Mr.METAL COLOR	
AQUEOUS	Mr.COLOR			
H 3	C 3	RED	SM201	SUPER FINE SILVER
	C 26	DUCK EGG GREEN		
H 12	C 33	FLAT BLACK		
H 28	C 78	METAL BLACK		
H307	C307	GRAY		

eduard

435 21 Obrnice 170
Czech Republic

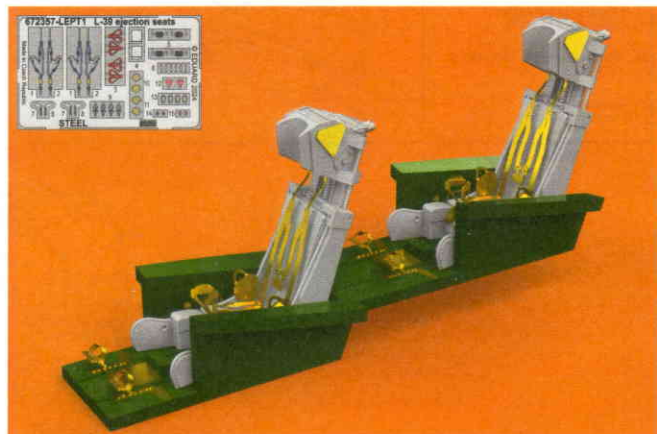
www.eduard.com
9,95



672 357










L-39 ejection seats
for Eduard kit - pro stavebnici Eduard

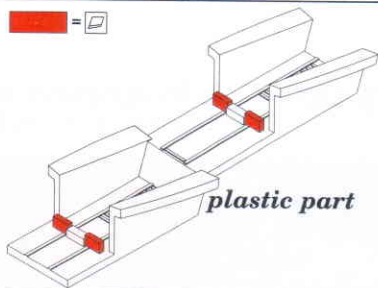
1/72



eduard

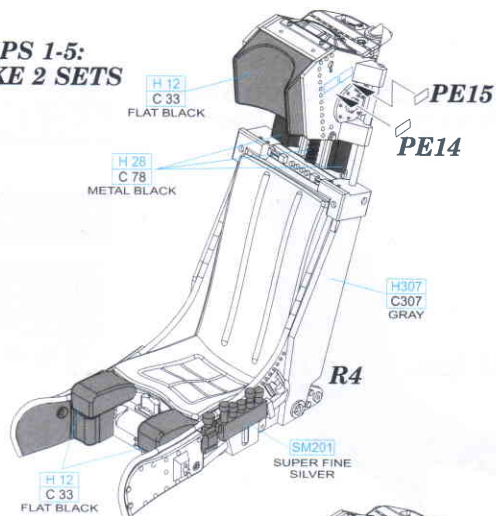


-  REMOVE
ODSTRANIT
-  BEND
OHNOUT
-  GRIND
OBROUSIT
-  OPTION
VOLBA
-  DRILL HOLE
VRTAT OTVOR
-  REPLACE
NAHRADIT
-  SYMMETRICAL ASSEMBLY
SYMETRICKÁ MONTÁŽ
-  SCRIBE THE PANEL AND HOLES
RYTI
-  REVERSE SIDE
OTOČIT

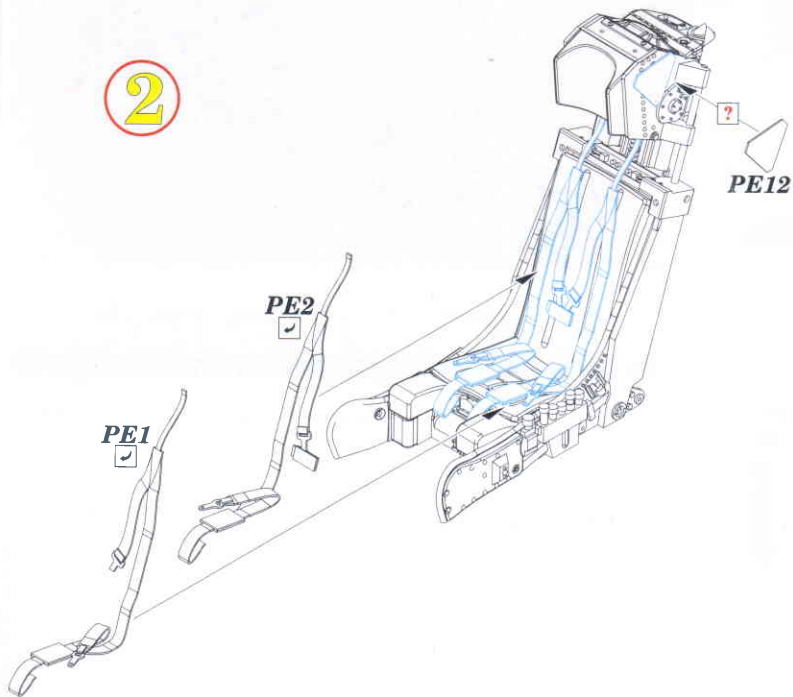


1

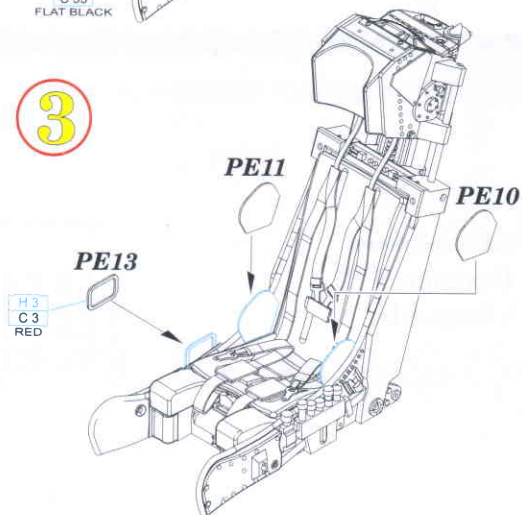
STEPS 1-5: MAKE 2 SETS



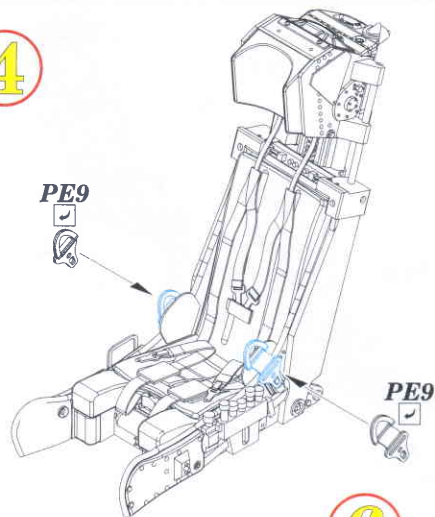
2



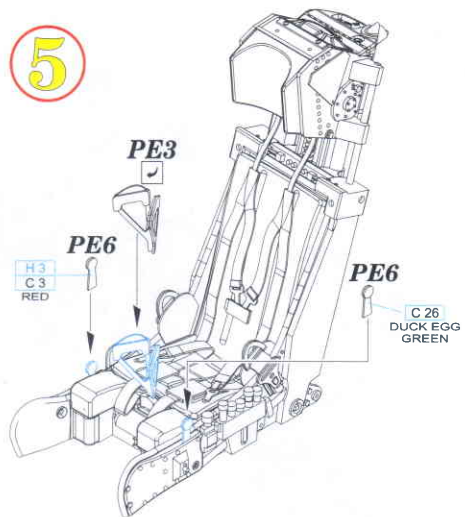
3



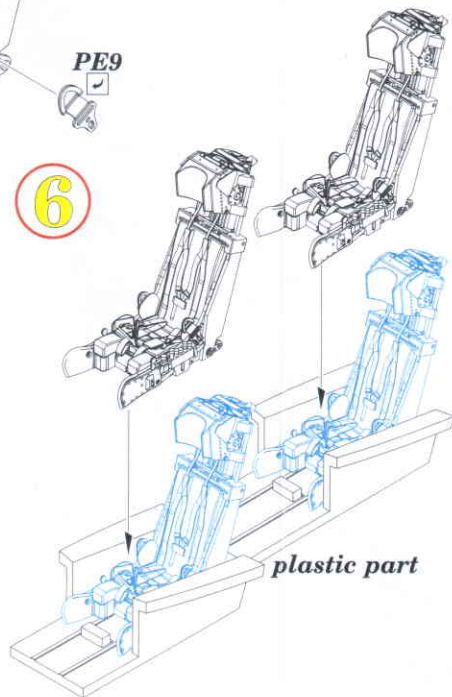
4



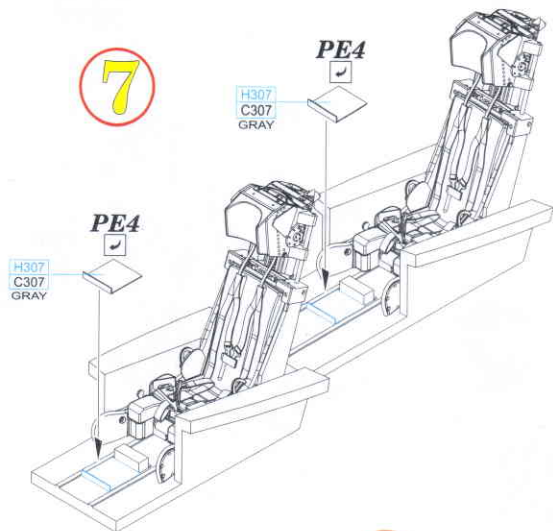
5



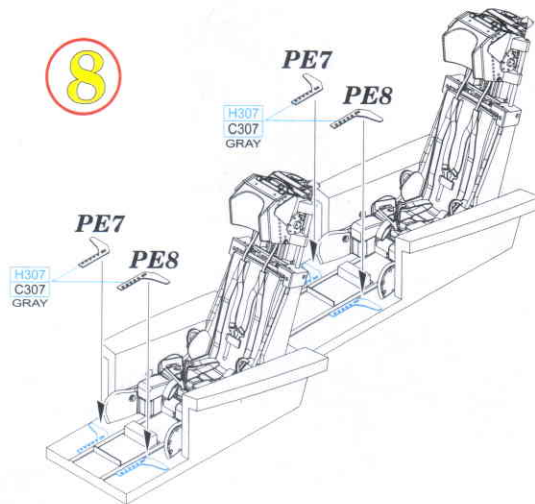
6



7



8



9

