

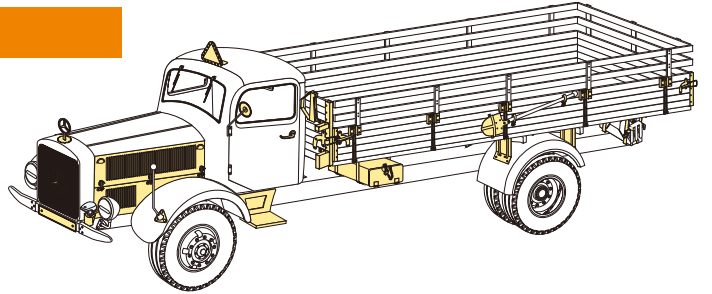
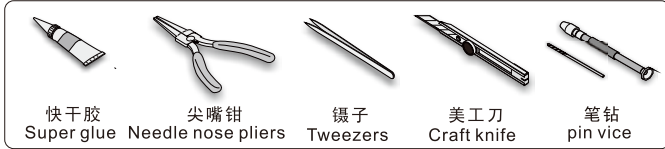
1/35 MILITARY MINIATURE VEHICLE UPGRADE SERIES PE35407

WWII German Benz L4500A truck

二战德军奔驰L4500军用卡车改造件

[For zvezda 02312]

推荐使用工具 RECOMMENDED TOOLS



- ↑
安装
install
- ↩
折叠
bend
- A1
改造件零件编号
PE/resin part number
- B12
原零件编号
kit part number
- C22
被替换的原零件编号
replaced kit part number
- ↔
另一侧相同制作
repeat on opposite side
- ✂
切除
remove
- 🔪
打磨
grind off
- 📐
弧度卷曲
radial bending
- x2
制作若干组
multiple assembly
- ⇄
选择安装
alternative
- 🔧
钻孔
drill
- 用胶棒制作
make from plastic rod

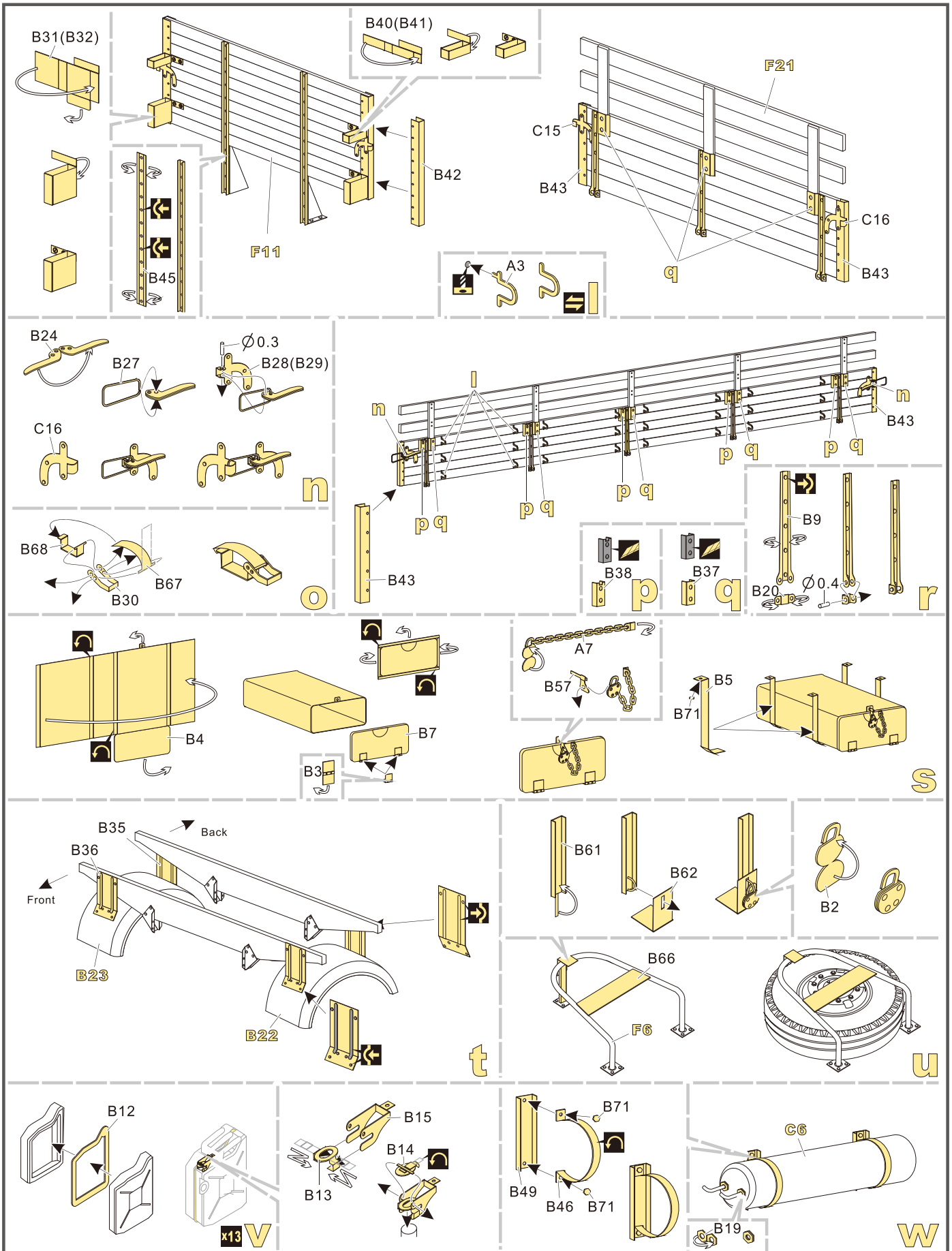
↓
用尖端在凹槽处冲压
use penpoint to press on the dent

蚀刻片零件内侧面向上
Put the part upside down
用笔尖在凹槽处刺
Use penpoint to press on the dent

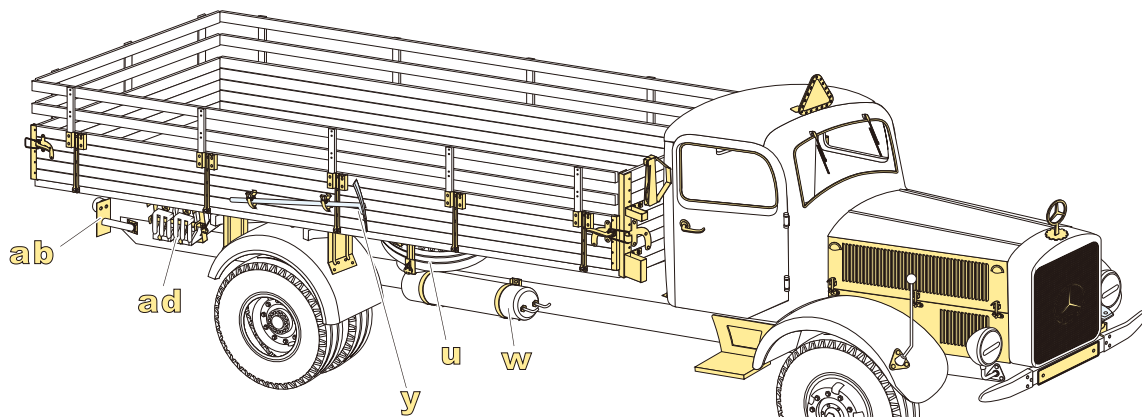
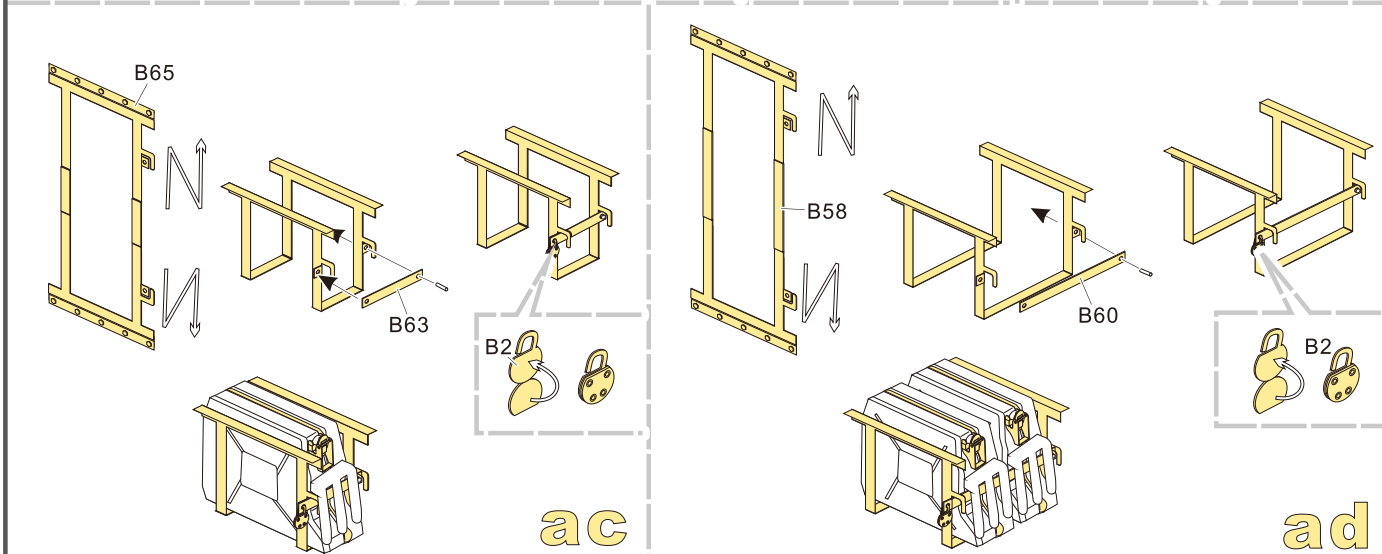
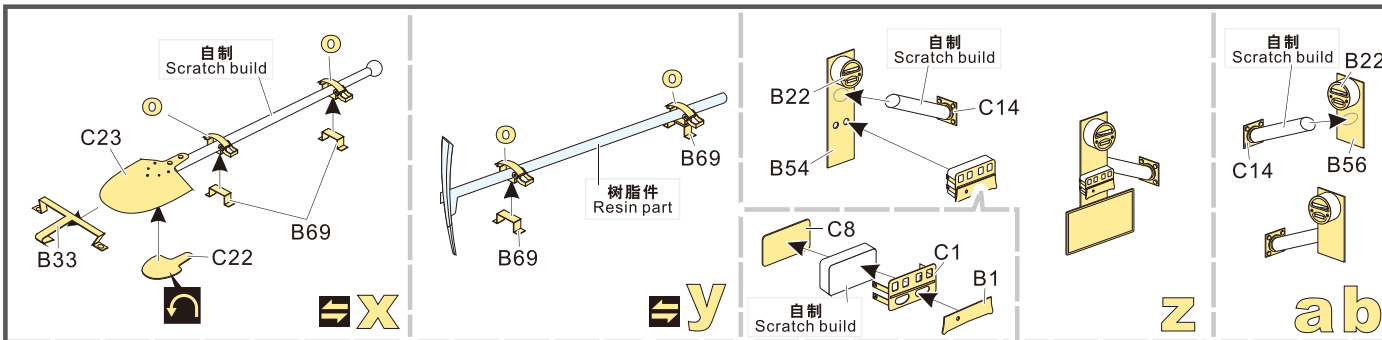
The main assembly diagram is divided into several sections labeled a through k, showing the installation of various components:

- a:** Installation of the front grille (C13, C10, C12, C11) and headlights (A6, C18).
- b:** Installation of the driver's side door (C, C2, C6, C39).
- d:** Installation of the front fenders (B47, B48, B44, B26).
- e:** Installation of the interior dashboard (C24, B11, B53, B23).
- h:** Installation of the rear fenders (B55, C19, B51, Ø0.5).
- k:** Installation of the rear door (B17, B50, C9, Ø0.5).
- g:** Installation of the rear seat (A5).
- i:** Installation of the rear suspension (A4, B59, B25).
- j:** Installation of the rear axle (x2).

1/35 MILITARY MINIATURE VEHICLE UPGRADE SERIES PE35407



1/35 MILITARY MINIATURE VEHICLE UPGRADE SERIES PE35407



VOYAGERMODEL® 无微不至 极致享受
The Best Upgrade Solution

Recommended item	
PE 35033	WWII German ZUNDAPP MOTO
PE 35114	WWII German DKW NZ350 MOTORCYCLE
PE 35194	WWII U.S. Jeep Willys MB
PE 35240	WWII Citroen Traction 11CV Staff Car
PE 35246	WWII German Opel Blitz 3t. 4x2 Cargo Truck /Shallow Cargo Bay
PE 35249	WWII German Kubelwagen Type 82
PE 35256	WWII German Bicycle
PE 35389	WWII German Steyr 1500A Kommandeurwagen
PE 35390	WWII German Steyr 1500A/01

