

# MICROSCALE DECAL NUMBER 48-327

## F-14A'S LOW VIS

### VF-1, VF-84 & VX-4

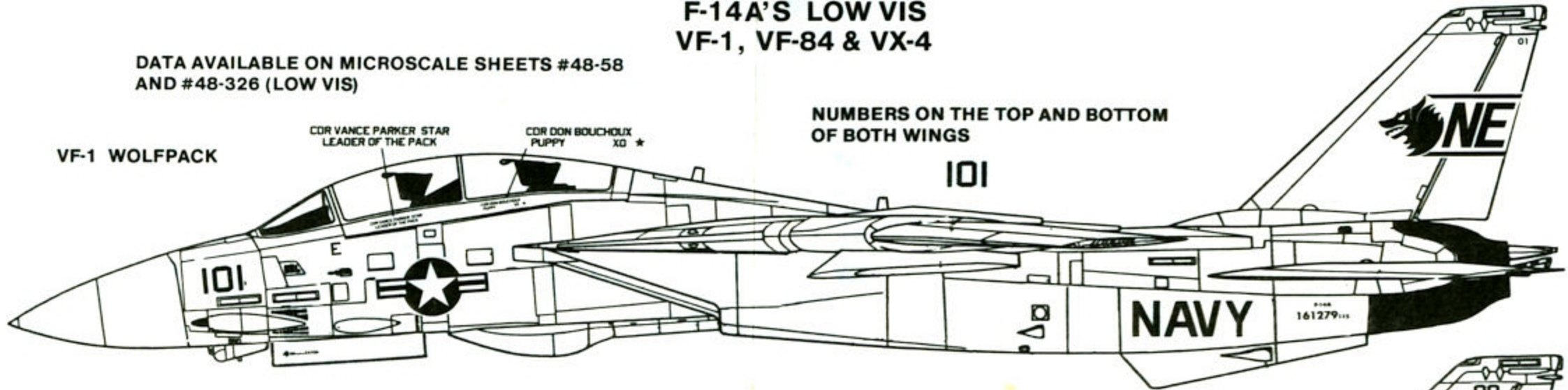
DATA AVAILABLE ON MICROSCALE SHEETS #48-58  
AND #48-326 (LOW VIS)

NUMBERS ON THE TOP AND BOTTOM  
OF BOTH WINGS

VF-1 WOLFPACK

CDR VANCE PARKER STAR  
LEADER OF THE PACK

CDR DON BOUCHOUX  
PUPPY XO ★



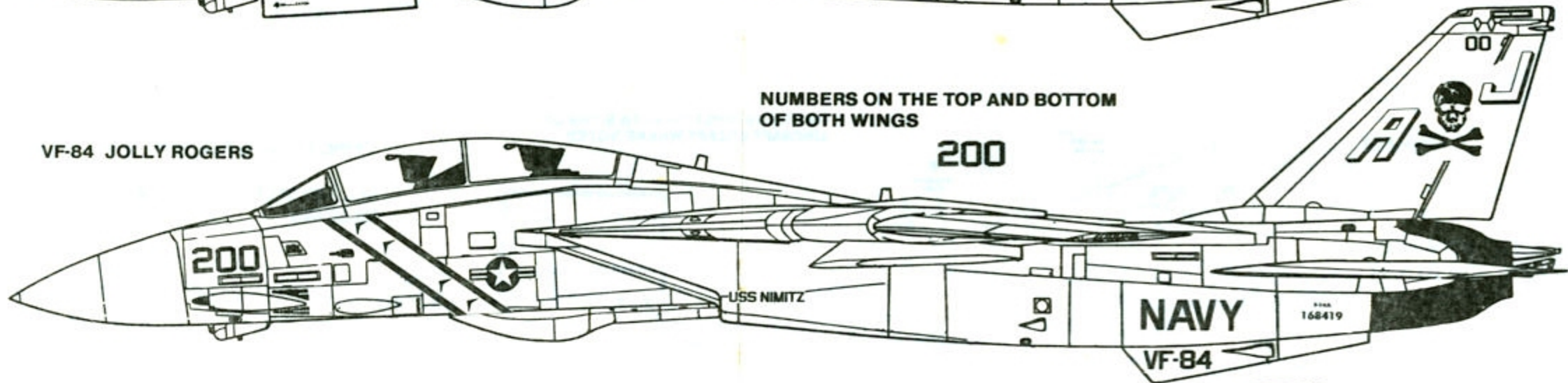
101

NAVY

161279

NUMBERS ON THE TOP AND BOTTOM  
OF BOTH WINGS

VF-84 JOLLY ROGERS



200

NAVY

VF-84

168419

SEE TYPICAL PLACEMENT ON REVERSE  
SIDE OF INSTRUCTIONS

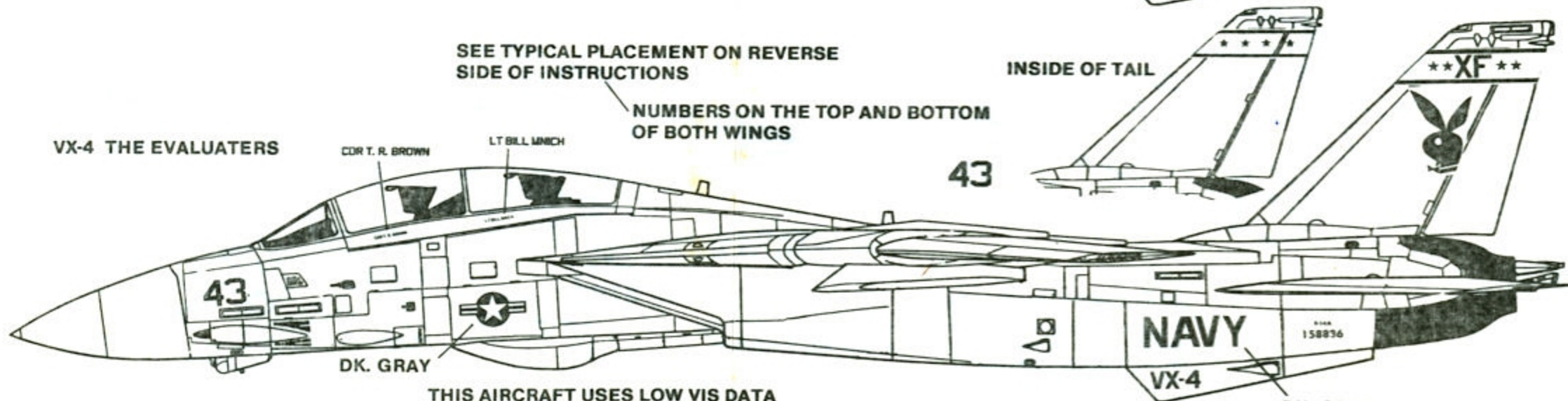
NUMBERS ON THE TOP AND BOTTOM  
OF BOTH WINGS

INSIDE OF TAIL

VX-4 THE EVALUATORS

CDR T. R. BROWN

LT BILL WENCH



43

NAVY

VX-4

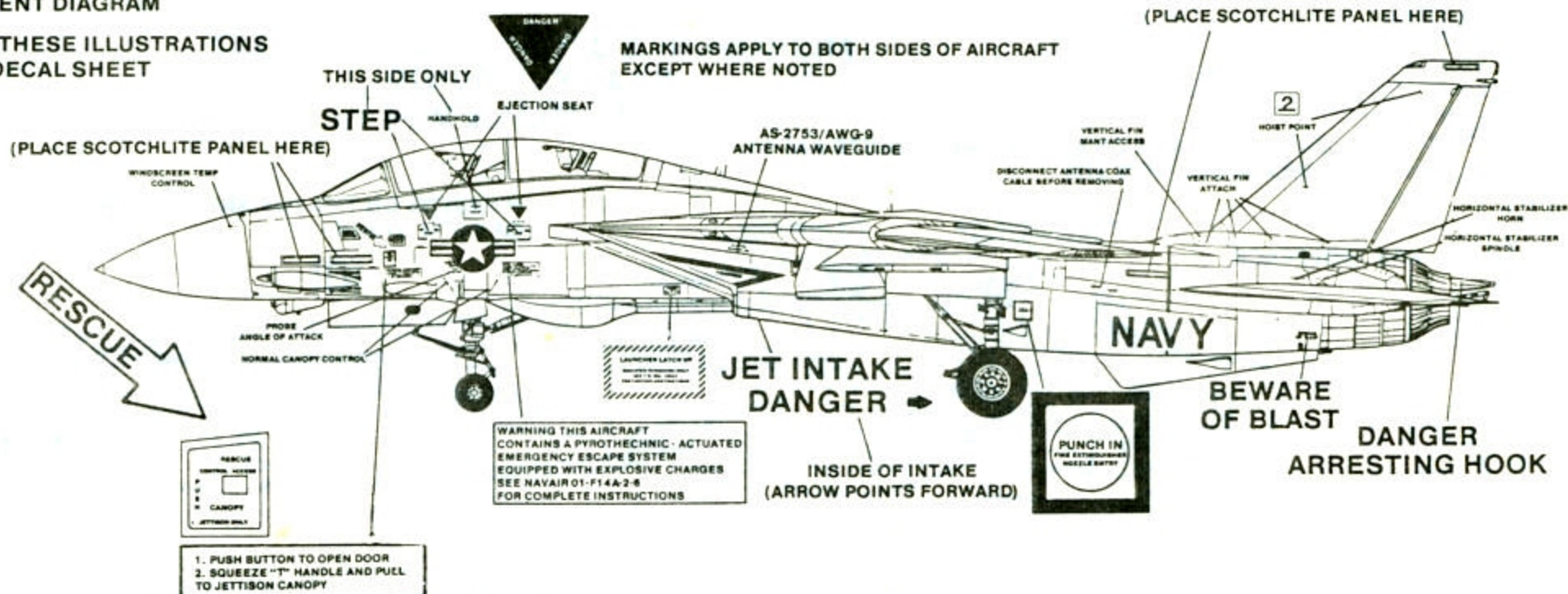
158876

DK. GRAY

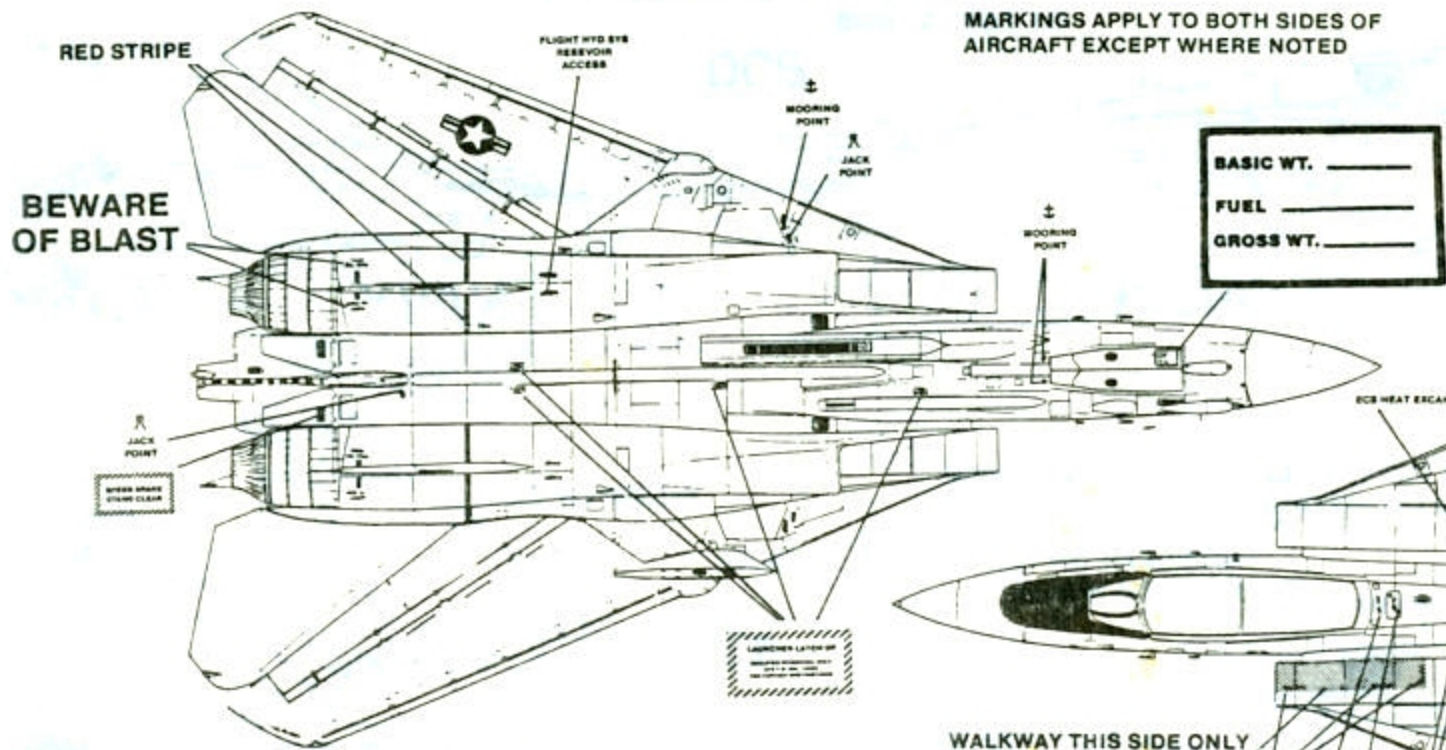
THIS AIRCRAFT USES LOW VIS DATA

STANDARD DATA PLACEMENT DIAGRAM

NOT ALL DATA SHOWN IN THESE ILLUSTRATIONS ARE AVAILABLE ON THIS DECAL SHEET



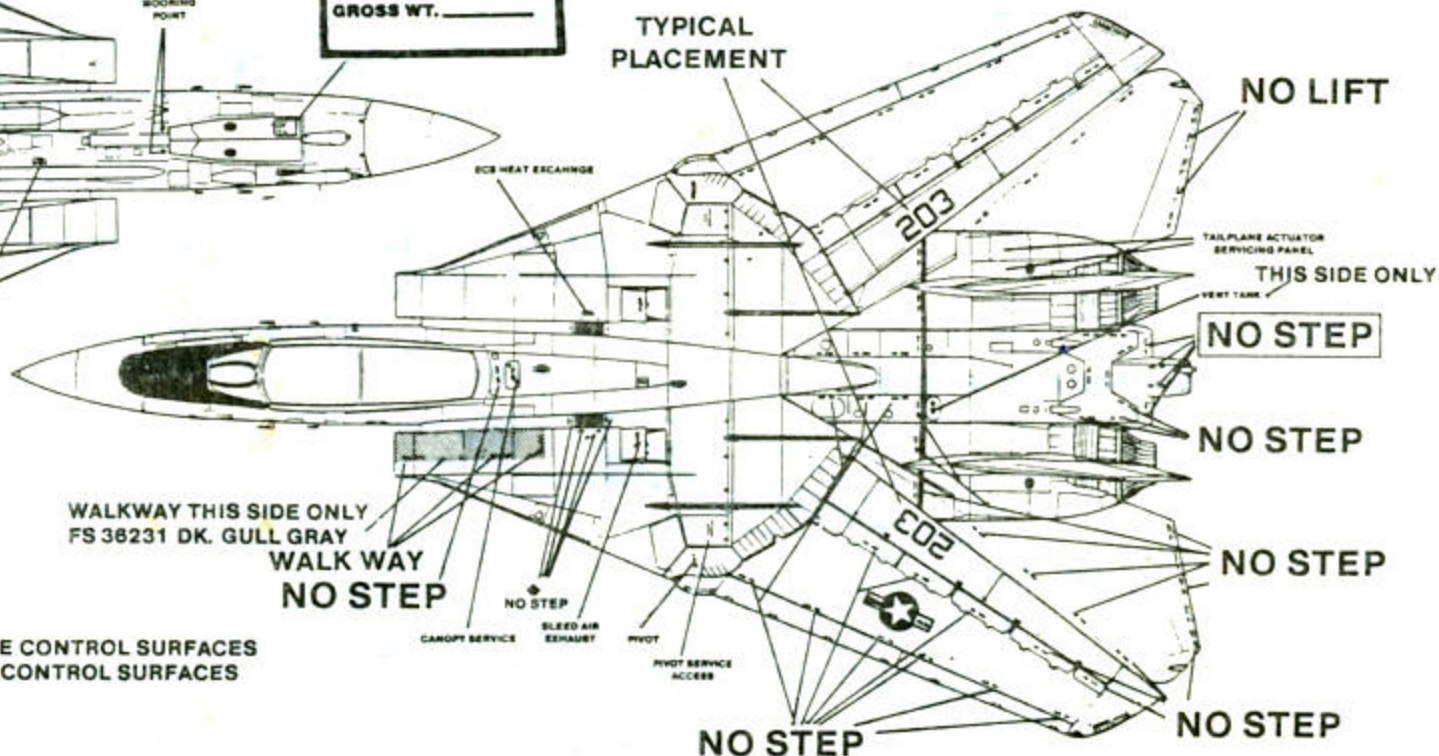
MARKINGS APPLY TO BOTH SIDES OF AIRCRAFT EXCEPT WHERE NOTED



TYPICAL DATA PLACEMENT

ALL AIRCRAFT ARE OVERALL LT. GULL GRAY FS 36440

TYPICAL PLACEMENT



NATURAL METAL LEADING EDGES

YELLOW "NO STEP" ARE USED ON WHITE CONTROL SURFACES WHILE BLACK "NO STEP" ARE USED ON CONTROL SURFACES OF OVERALL GRAY AIRCRAFT.