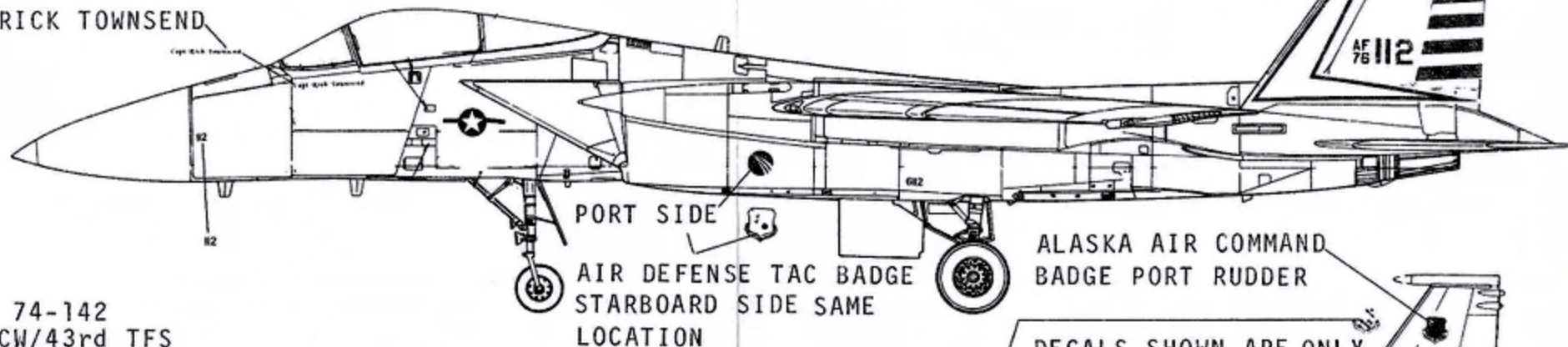


F-15A 76-112 48-152
 48th FIS
 LANGLEY AIR FORCE BASE, VIRGINIA

DECALS SHOWN ARE ONLY
 ON OUTER TAILS

CAPT RICK TOWNSEND

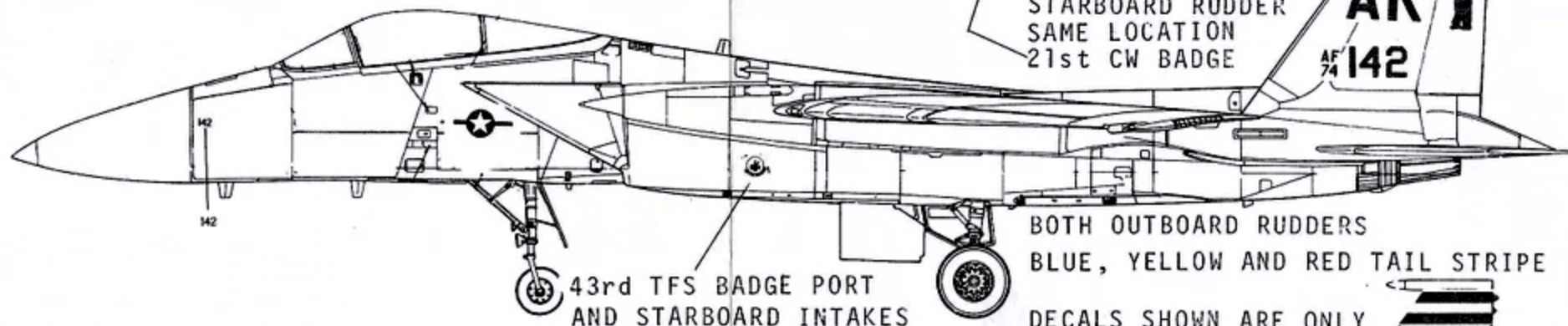


ALASKA AIR COMMAND
 BADGE PORT RUDDER

F-15B 74-142
 21st CW/43rd TFS
 ALASKA AIR COMMAND
 ELMENDORF AIR FORCE BASE, ALASKA

DECALS SHOWN ARE ONLY
 ON OUTER TAILS

STARBOARD RUDDER
 SAME LOCATION
 21st CW BADGE



BOTH OUTBOARD RUDDERS
 BLUE, YELLOW AND RED TAIL STRIPE

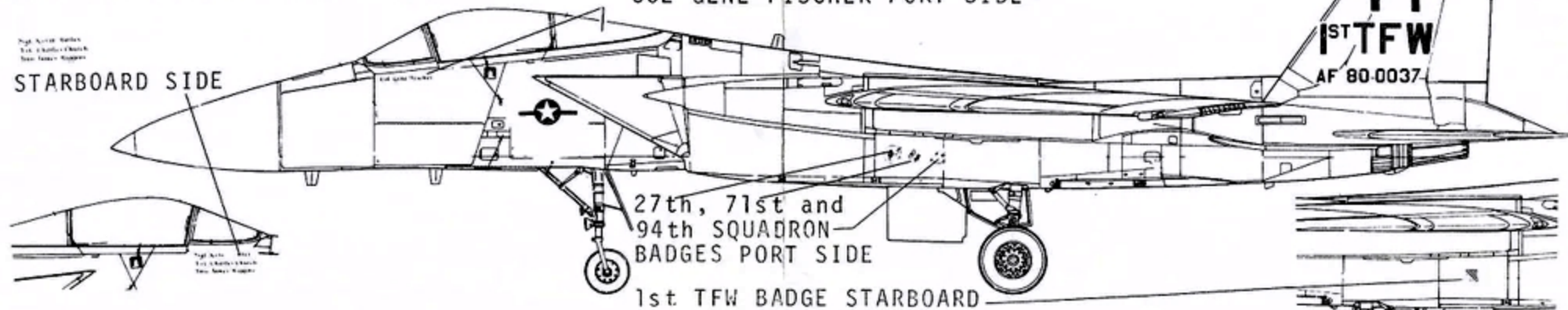
F-15C 80-0037
 1st TFW COMMANDER
 LANGLEY AIR FORCE BASE, VIRGINIA
 COL GENE FISCHER, MARCH 1982

DECALS SHOWN ARE ONLY
 ON OUTER TAILS

COL GENE FISCHER PORT SIDE

Top View Station
 Tail Section Station
 Main Section Station

STARBOARD SIDE



27th, 71st and
 94th SQUADRON
 BADGES PORT SIDE

1st TFW BADGE STARBOARD

48-152

ALL PLANES ARE PAINTED IN COMPASS GHOST SCHEME

RESEARCH BY DON GARRETT, BOB BINDER, CAPT JIM ROTRAMEL AND CAPT RICK TOWNSEND

FS 36270

FS 36375

