

X007-48 TRADECAL

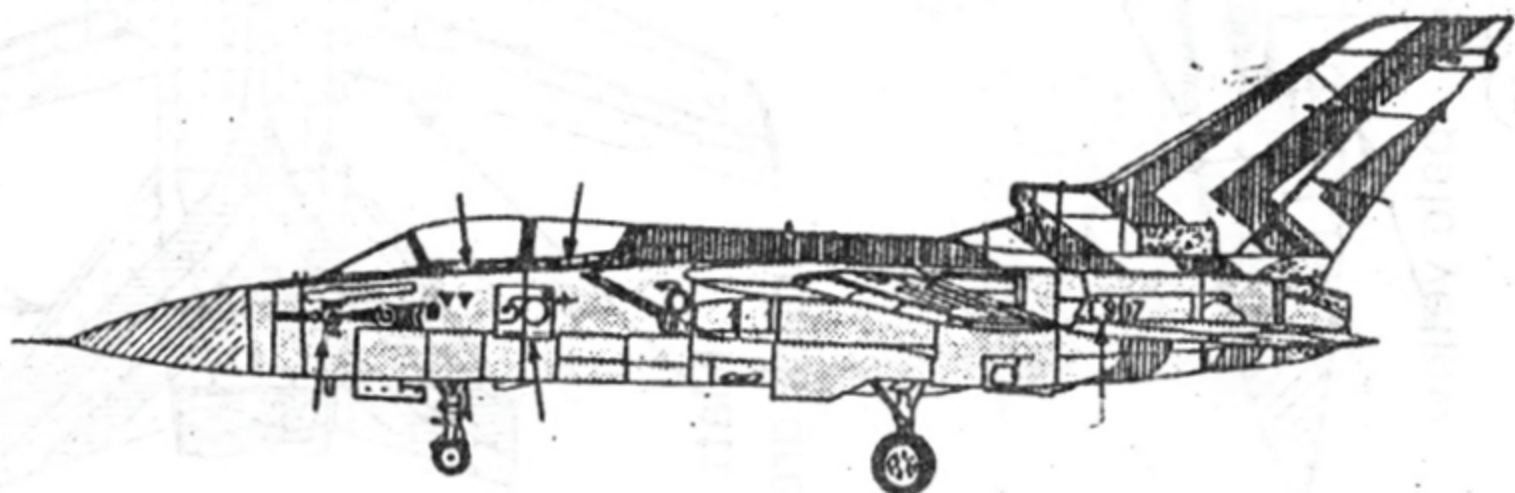
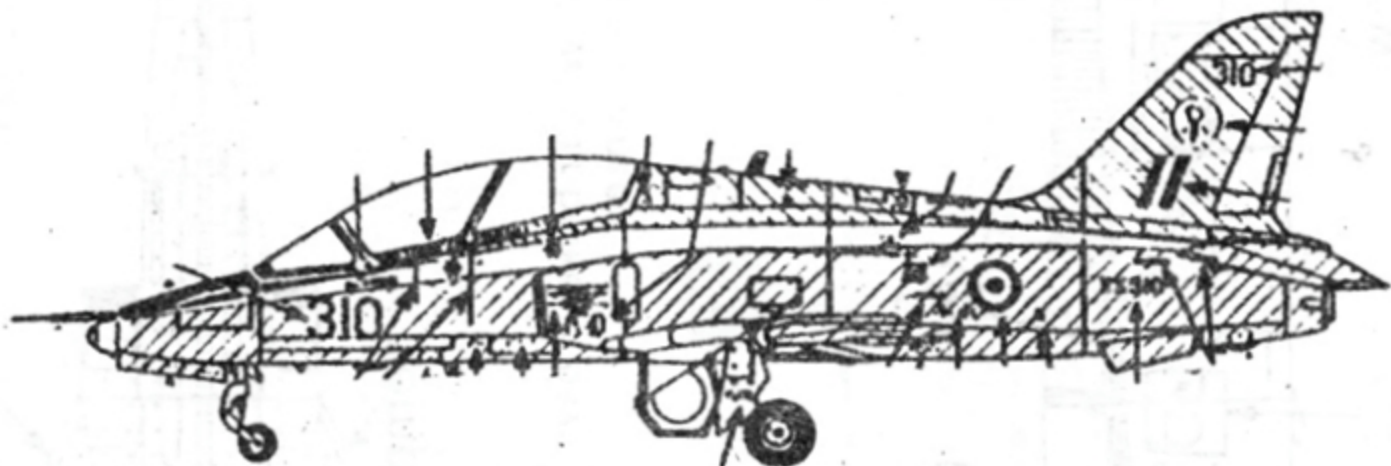
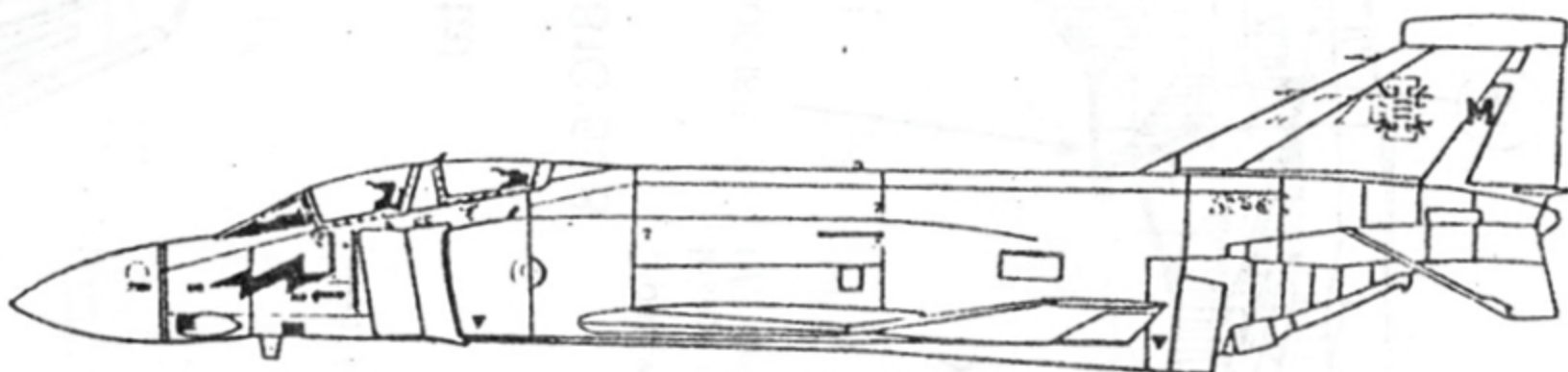
RAF Update 1990 #1 1:48 Scale

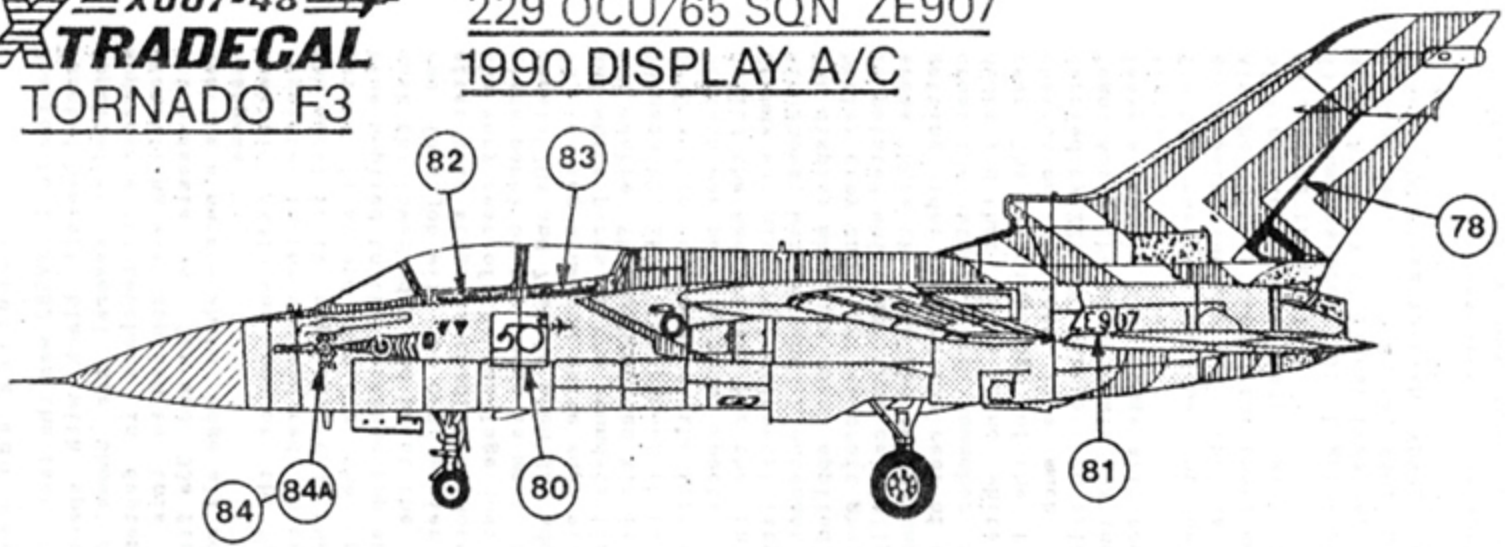
Phantom FG1. 111 Squadron Black Mike.


Hawk T1. 4 TFS. Red, White and Blue scheme

Tornado F3. 229 OCU/65 Squadron Battle of Britain


50th Anniversary Display Aircraft.

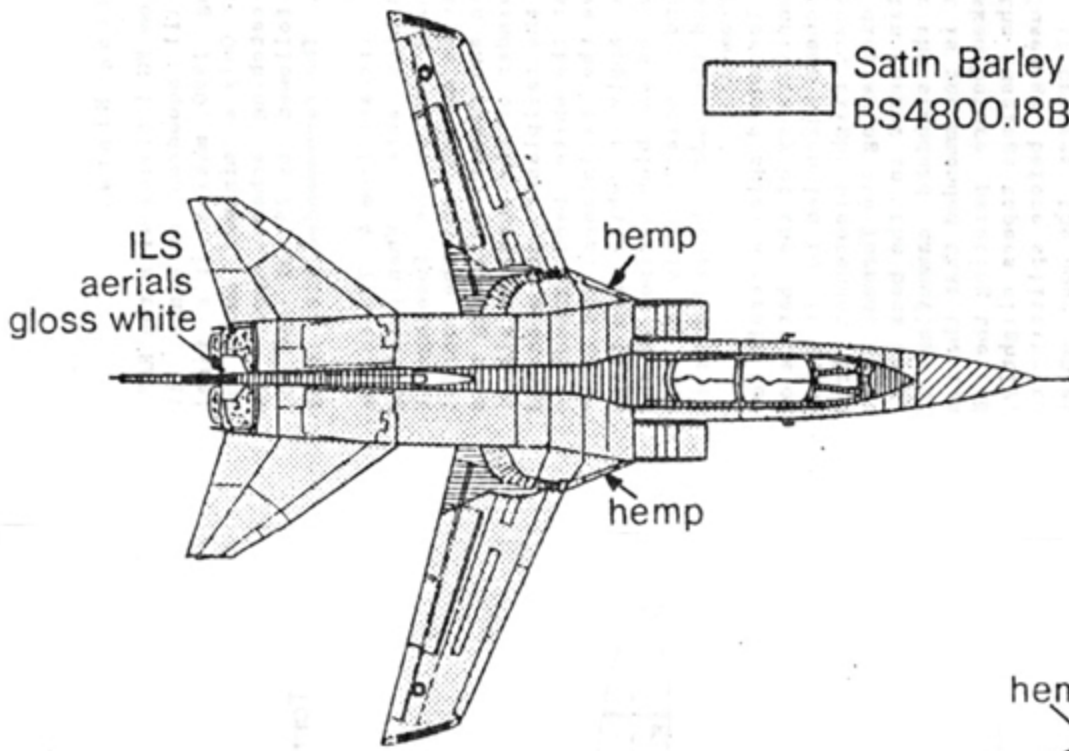




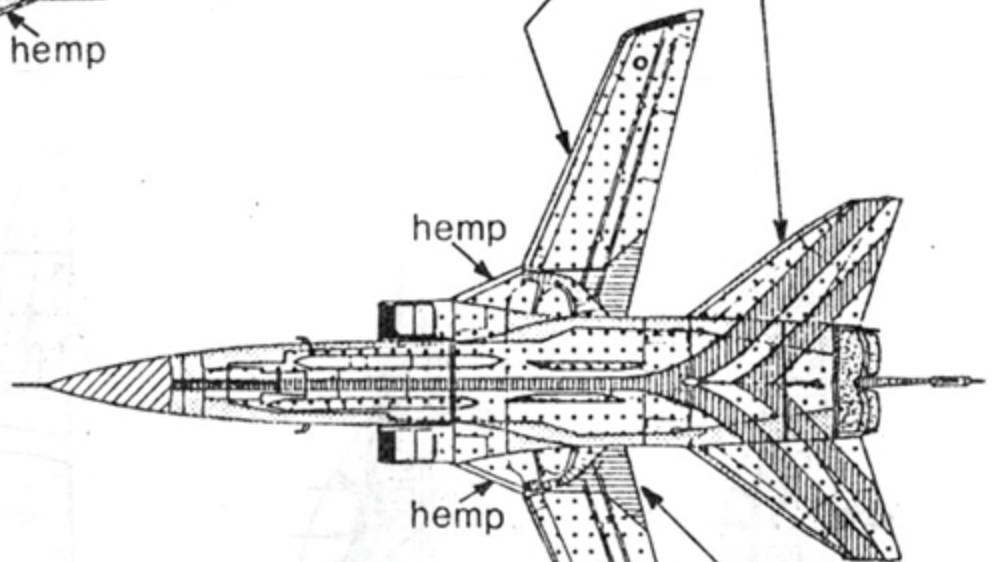
 Satin Barley grey
 BS4800.18B.21


 Satin light
 aircraft grey
 BS381C:627


 Matt medium
 sea grey
 BS381C:637



Upper colour returns
 onto undersides



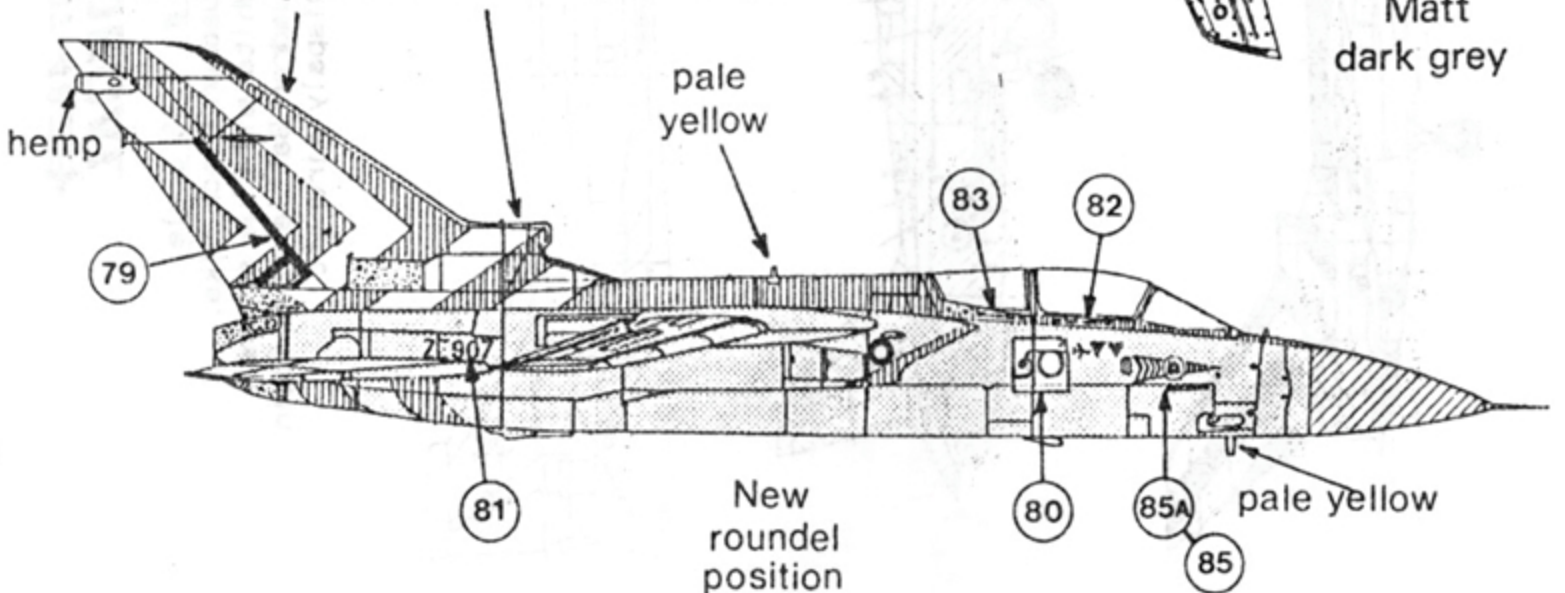
 Burnt metal

 Red BS381C:538

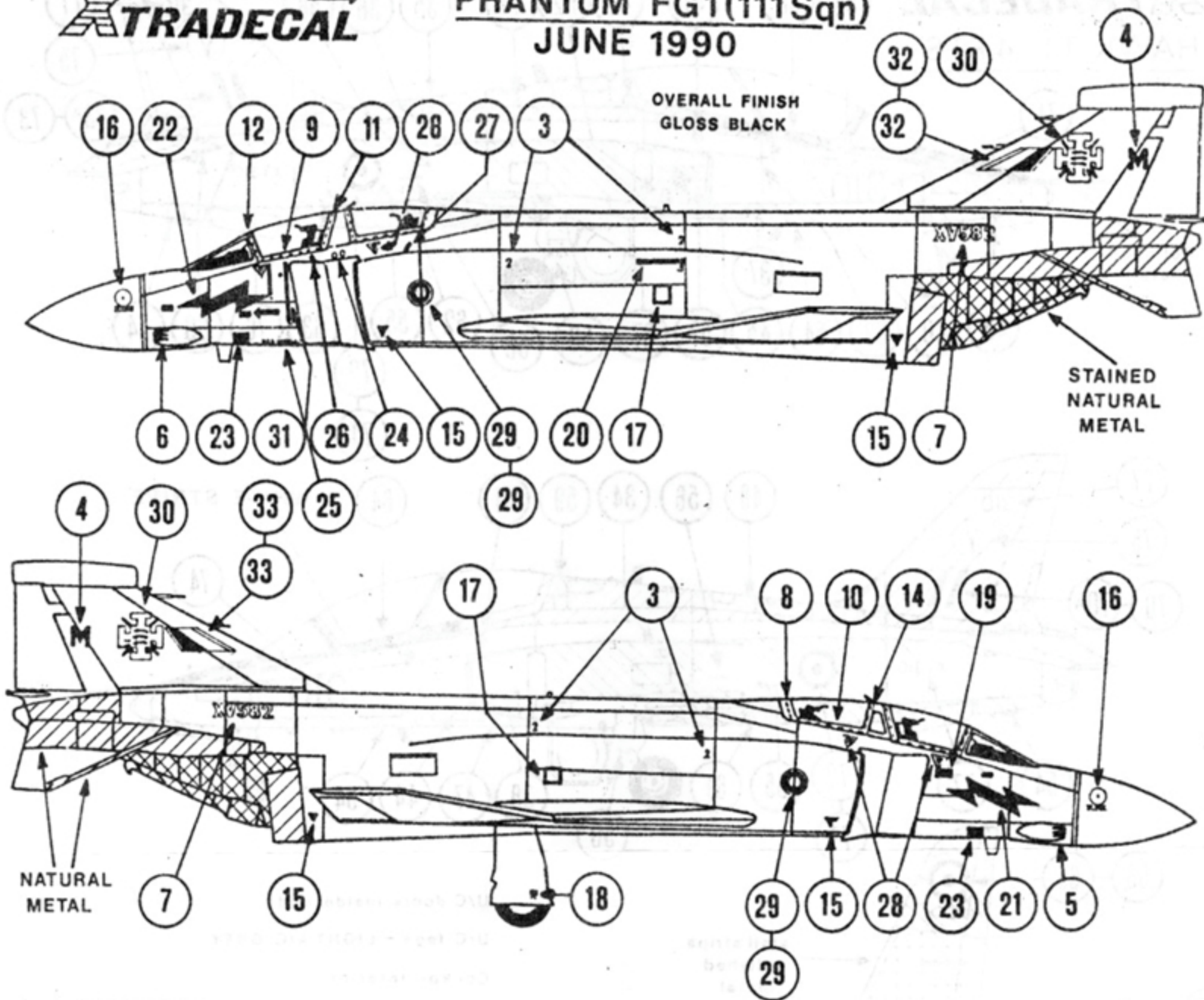
Gloss white
 Inside of wheel wells, air brakes & bays
 U/C doors, legs and wheels.

Matt dark grey

Satin Barley grey BS4800.18B.21



New
 roundel
 position



INTERIOR EDGES OF
CANOPY FRAMING-
PALE YELLOW

WHEEL WELLS, UNDERCARRIAGE
LEGS AND WHEELS- GLOSS WHITE

FUSELAGE INLET AND
VENTRAL DOOR EDGES-
GLOSS RED

