

AD-4N

SKYRAIDER

IN AFRICA

Algeria

Chad

Gabon



ZTZ48/026
ZTZ72/026



The Armée de l'Air ordered 113 2-seat, AD4N night-attack Skyraiders in 1956 to the US Navy and deliveries commenced in 1958. The Skyraiders were stripped of their specialized equipment and operated as conventional, daylight close-support aircraft. The Skyraiders had only a short career in Algeria. But they nonetheless proved to be the most successful of all the ad hoc COIN airplanes deployed by the French. The AD4Ns continued in active service after the Algerian War until the late 1970s. They were heavily involved in the civil war in Chad, at first with the Armée de l'Air, and later with a nominally independent local air force staffed by French mercenaries. The aircraft also operated under the French flag in Djibouti and on the island of Madagascar. When France at last had no use for the Skyraiders ca. 1970, it passed the survivors on to Gabon and Cambodia.

Armée de l'Air

Thiers 17 Anzures
 México D.F. C.P. 11560
 zotz17@yahoo.com
 www.zotzdecals.com

GABON

GABON

GABON

GABON

We have not acquired sufficient photographic evidence to show that roundels were also placed on the lower wings.

Recommended kits:

- 1/48 Tamiya
- 1/72 Hasegawa

Detailing and conversion sets available:

- 1/48
- Eduard 48 245, 49 001
- Cutting Edge CEC48102
- Cutting Edge CEC48119
- Cutting Edge CEC48126
- ADECO 48-014

- 1/72
- Eduard 72 227
- (you are on your own converting the A-1H/J into an AD-4N)

Researched by
 Eli Raphael

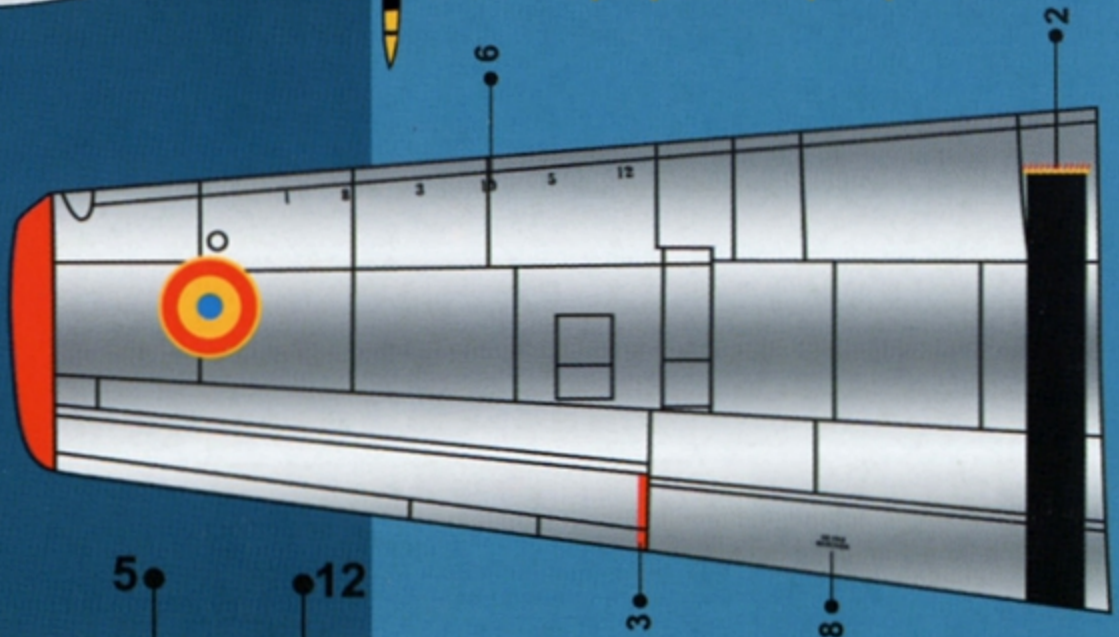
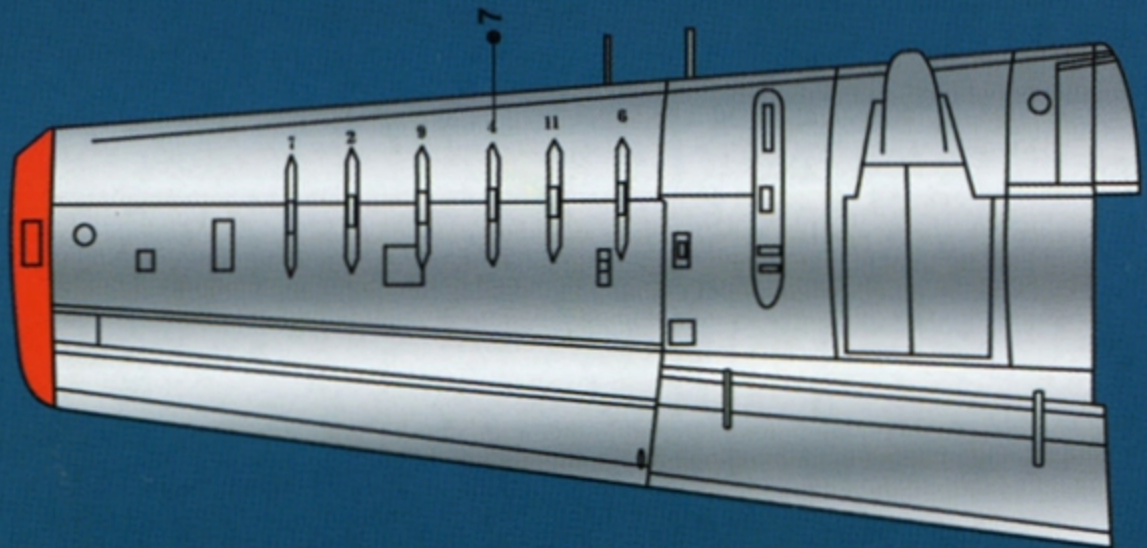
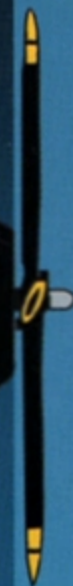


"All a/c were natural metal"

CHAD



Yellow propeller stripe tip detail



We have provided decals for the wing, stabilizers and tail tips. You could paint them instead, matching the fuselage flashes' colors."



"Apply decals on both sides"