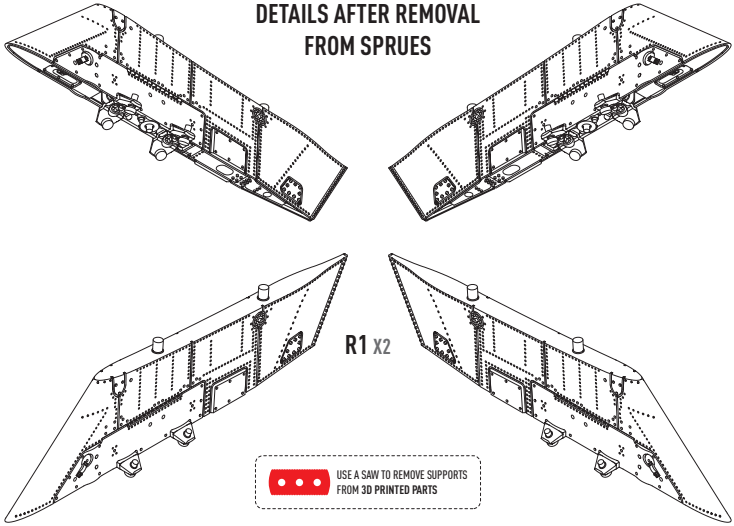
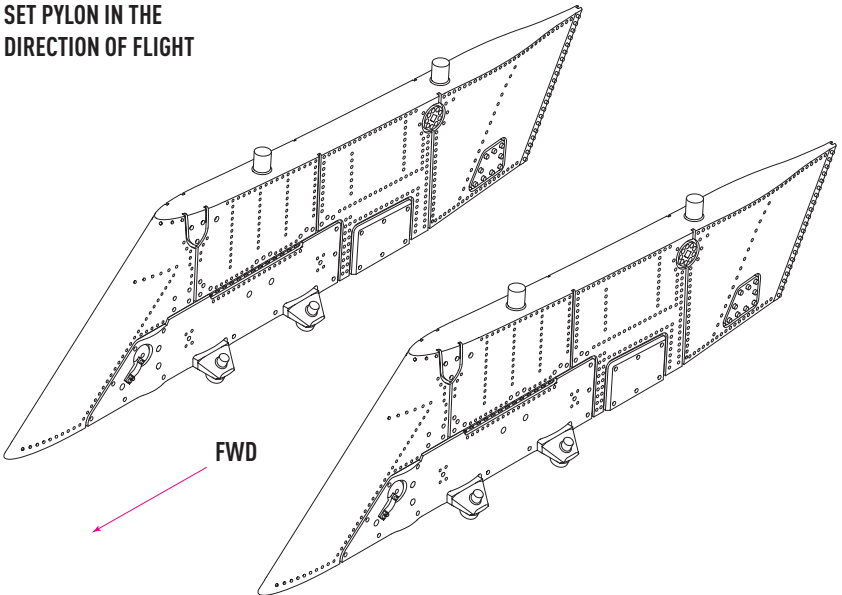
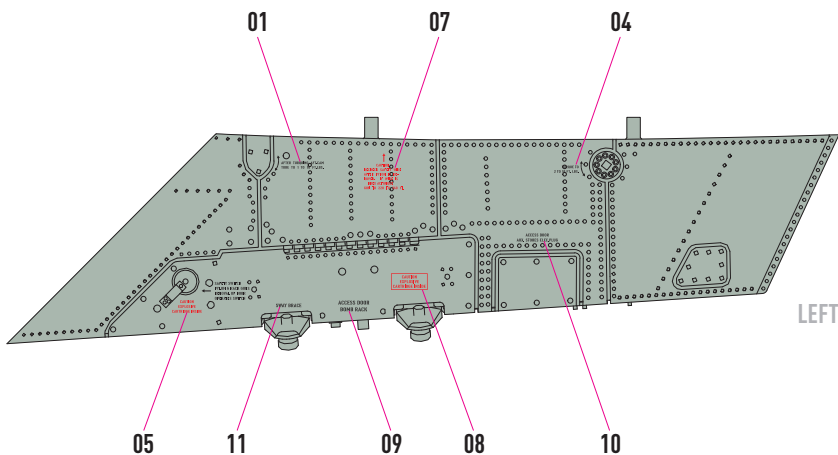


### DETAILS AFTER REMOVAL FROM SPRUES

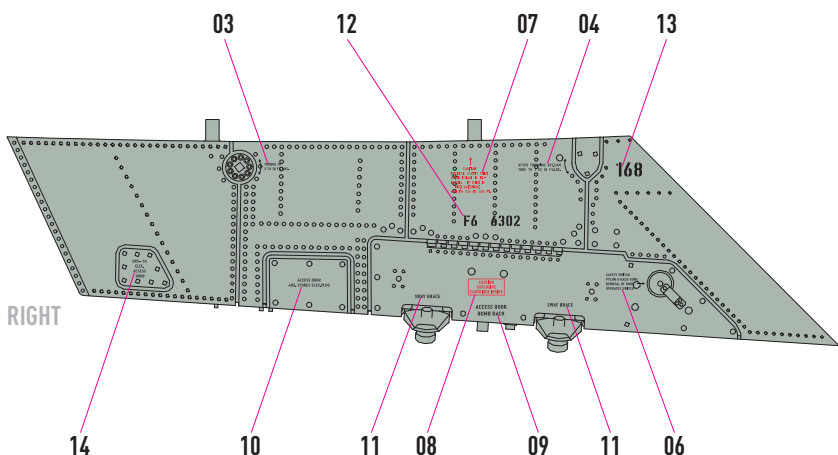


### SET PYLON IN THE DIRECTION OF FLIGHT





LEFT



RIGHT

**PAINT PYLONS IN THE COLOR  
OF THE AIRCRAFT**