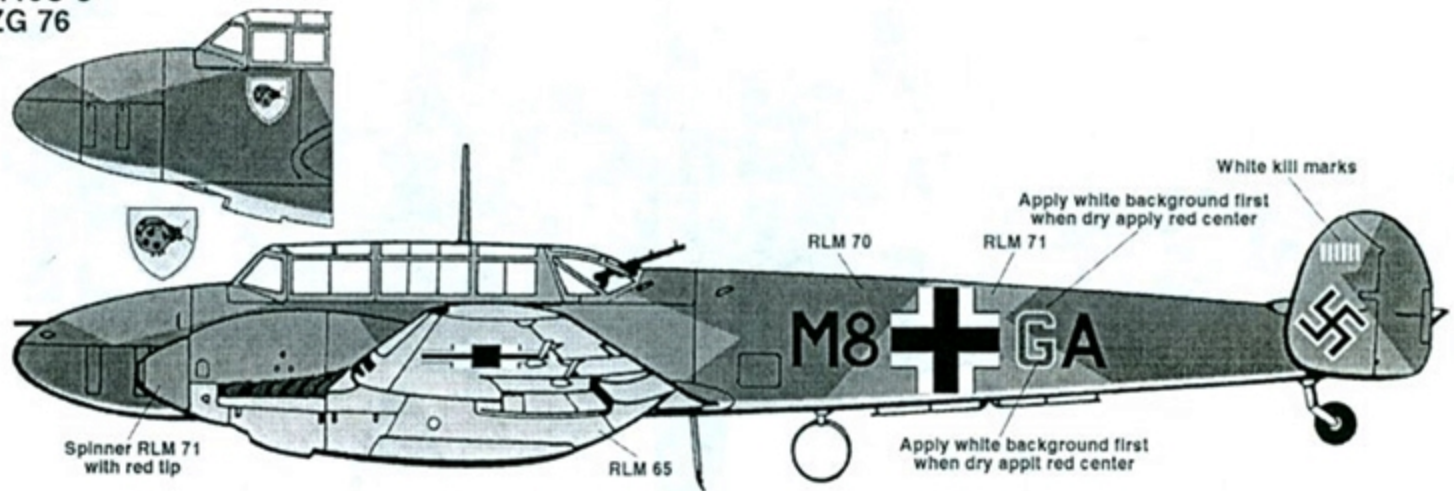
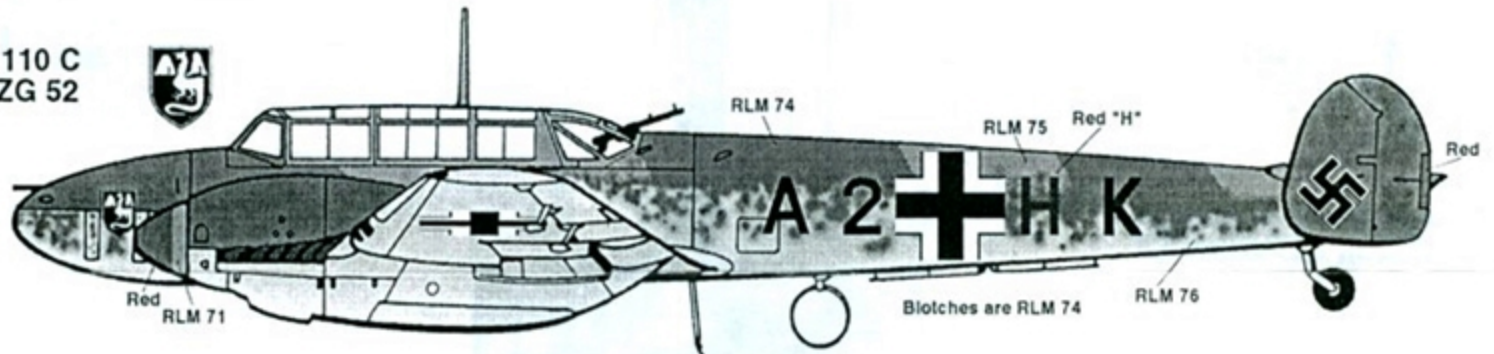


SuperScale Decal No. 48-538
 Messerschmitt 110C and E Zerstörers
 1./ZG 52, 1./ZG 2, 2./ZG 76, KG 55
 Battle of Britain

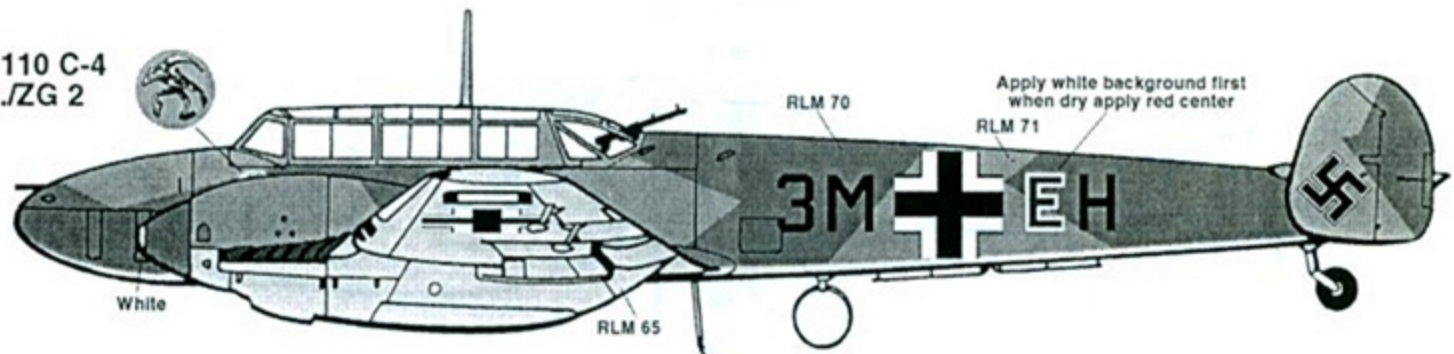
1. Bf-110C-3
 2./ZG 76



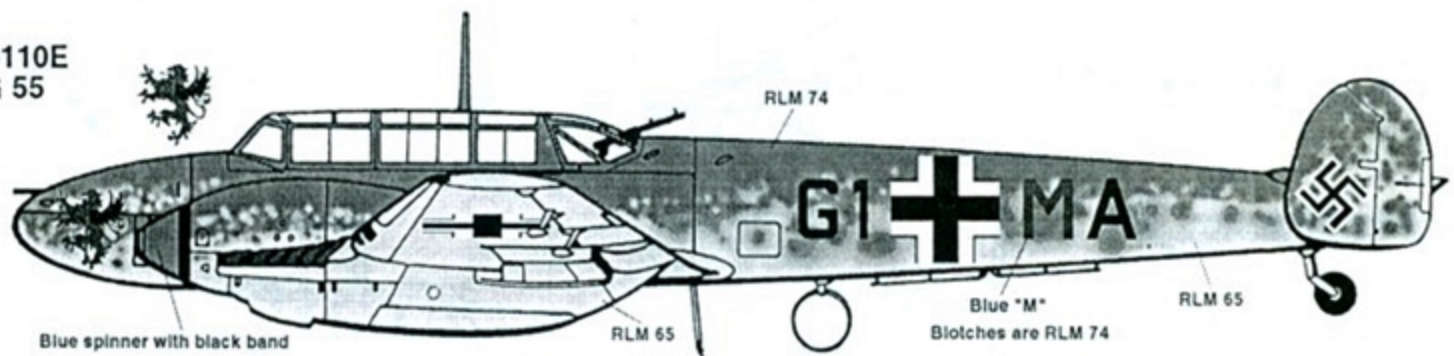
2. Bf 110 C
 1./ZG 52



3. Bf 110 C-4
 1./ZG 2



4. Bf-110E
 KG 55



References:

Modell-Fan, March 1985

Squadron Signal Publications # 30
 Messerschmitt Bf 110 Zerstörer In Action

Messerschmitt 110 Data Placement

Fuel and coolant triangles are two part decals. Apply the white backgrounds first, and when dry apply the yellow center for fuel and red center for coolant where shown.

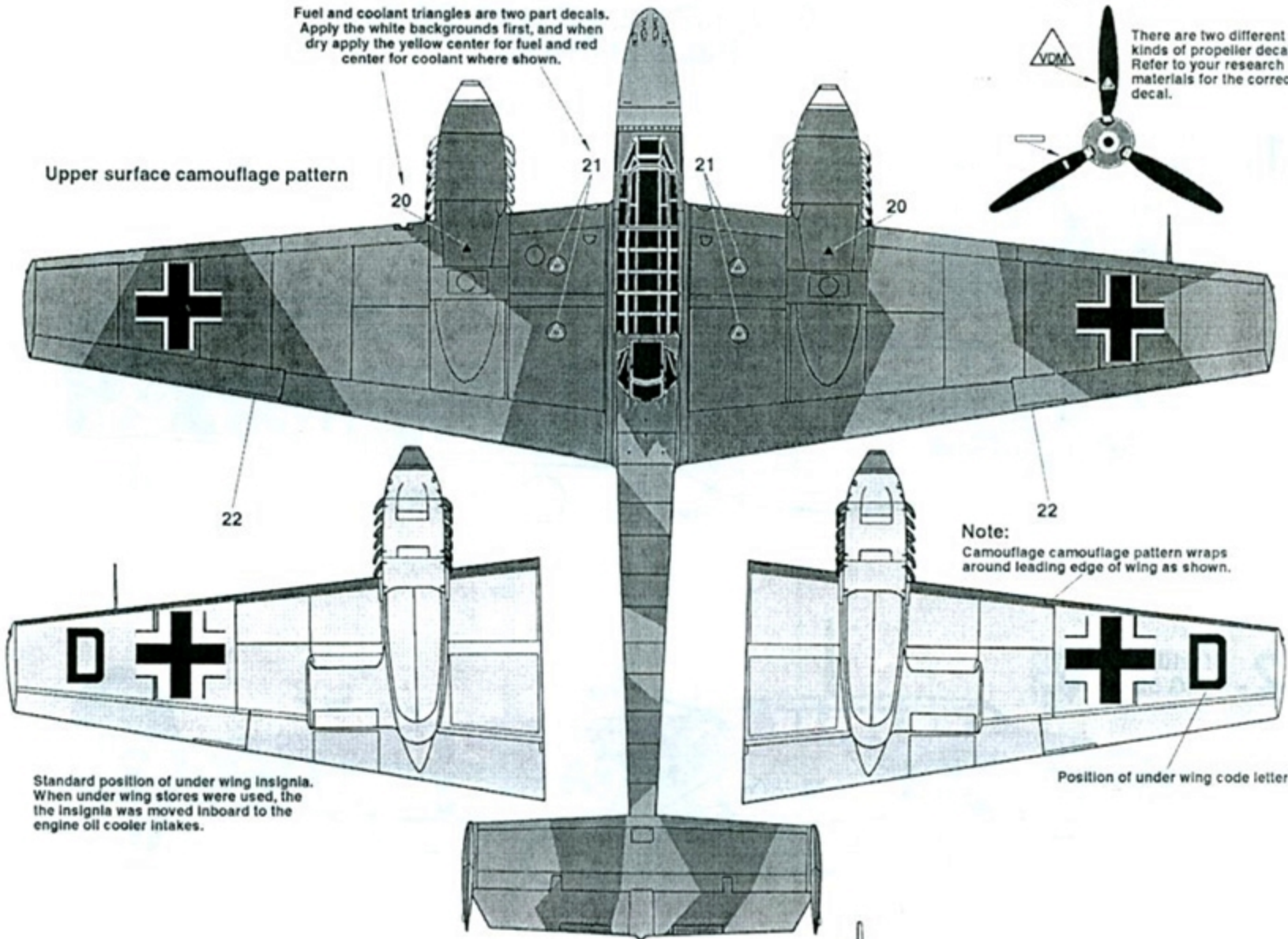
Propeller Decals



There are two different kinds of propeller decals. Refer to your research materials for the correct decal.



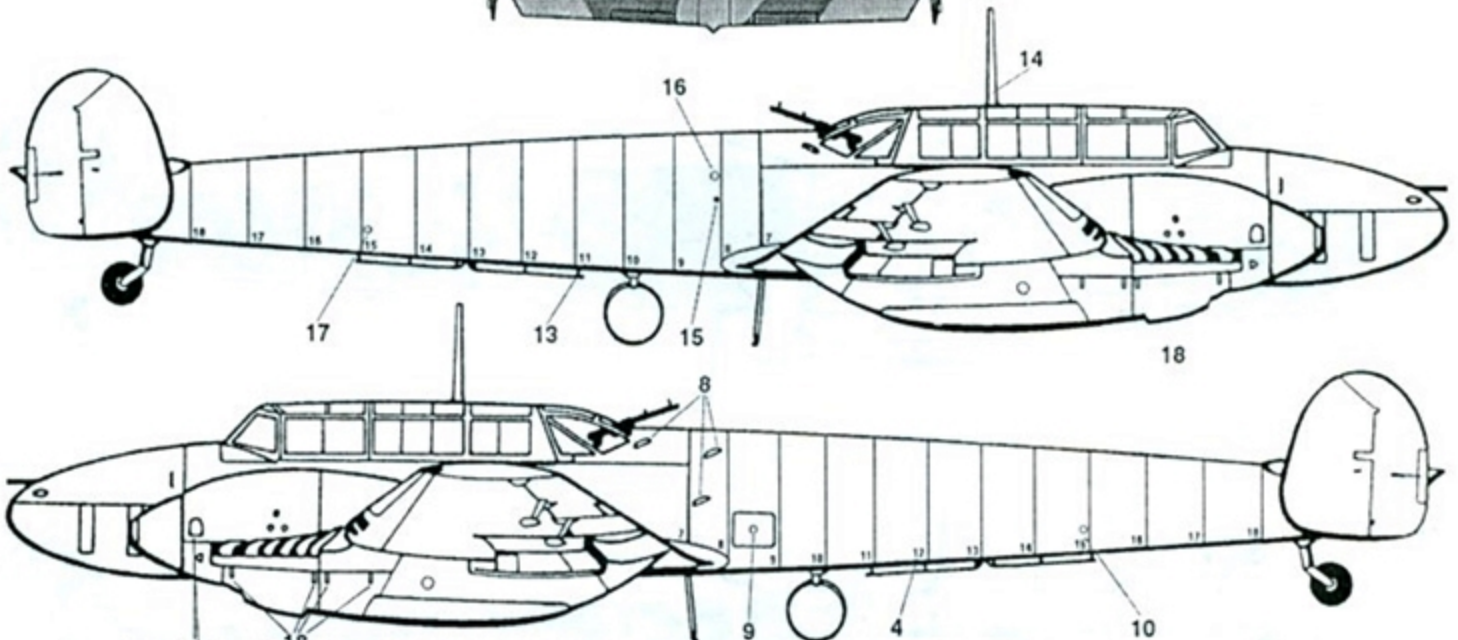
Upper surface camouflage pattern



Note: Camouflage camouflage pattern wraps around leading edge of wing as shown.

Standard position of under wing insignia. When under wing stores were used, the insignia was moved inboard to the engine oil cooler intakes.

Position of under wing code letters



Apply fastener alignment marks to engine cowling latches as shown

