

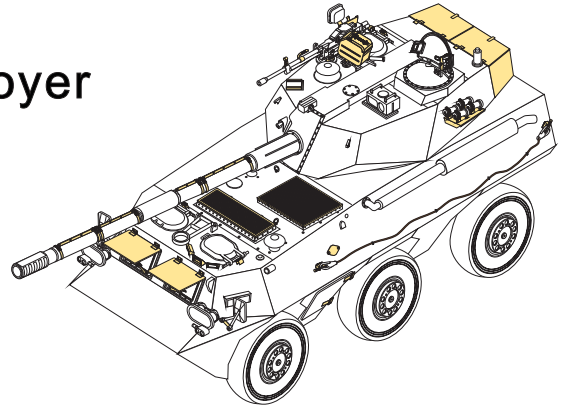
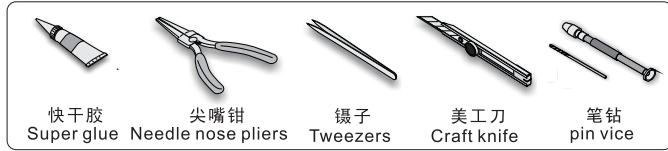
1/35 MILITARY MINIATURE VEHICLE UPGRADE SERIES PE35527

PLA PTL02 wheeled tank destroyer

中国人民解放军PTL02轮式突击炮改造件

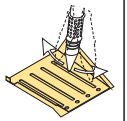
[For HOBBY BOSS 82485]

推荐使用工具 RECOMMENDED TOOLS



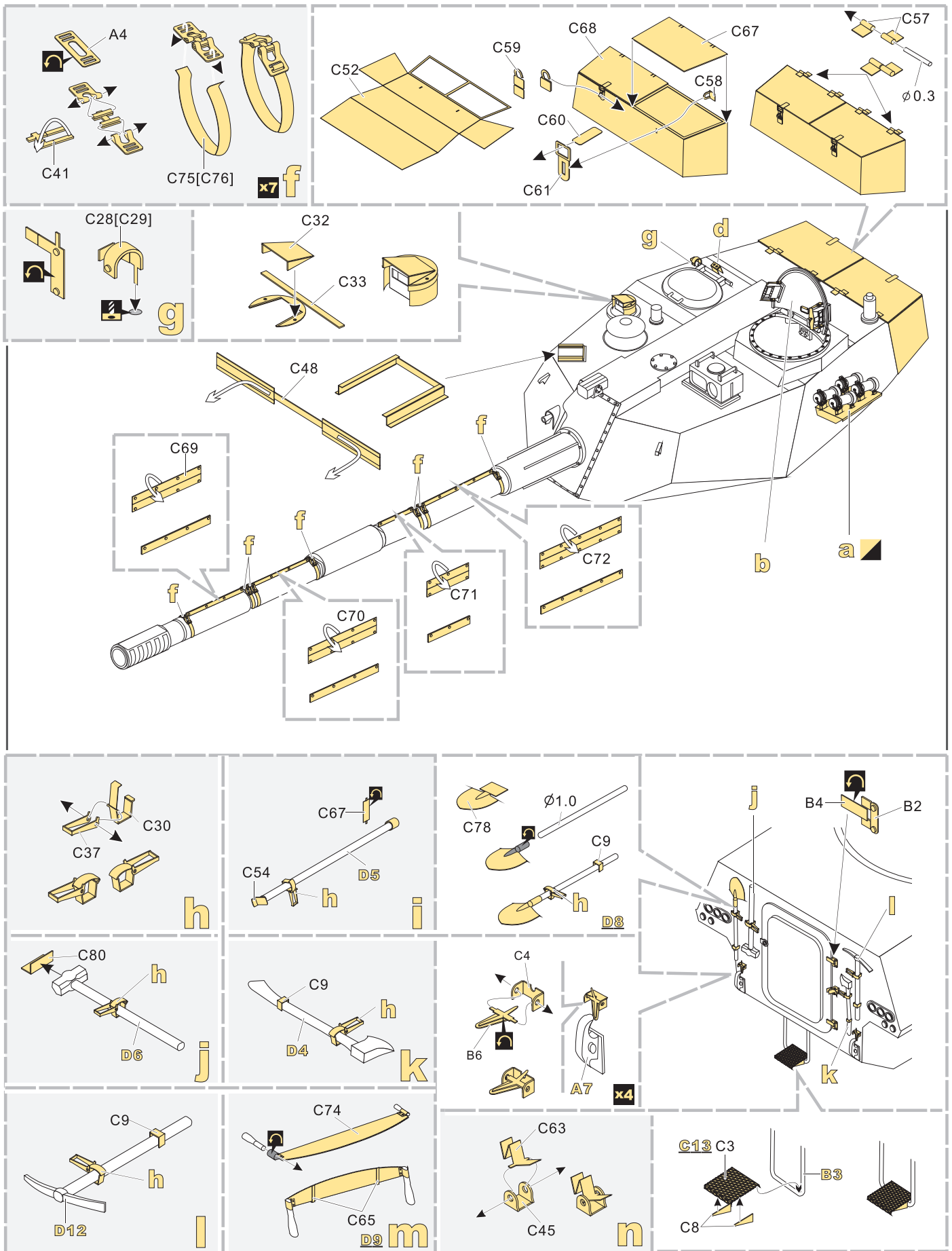
- ↑
安装
install
- ↙
折叠
bend
- A1**
改造件零件编号
PE/resin part number
- B12**
原零件编号
kit part number
- C22**
被替换的原零件编号
replaced kit part number
- ◀▶
另一侧相同制作
repeat on opposite side
- ⬇️
用尖端在凹槽处冲压
use penpoint to press on the dent
- ✂️
切除
remove
- ⚠️
注意
caution
- ↻
弧度卷曲
radial bending
- x2
制作若干组
multiple assembly
- ⇄
选择安装
alternative
- 🔧
用铜管制作
make from brass tube
- 🔧
用胶棒制作
make from plastic rod

蚀刻片零件内侧面向上
Put the part upside down
用笔尖在凹槽处刮
Use penpoint to press on the dent

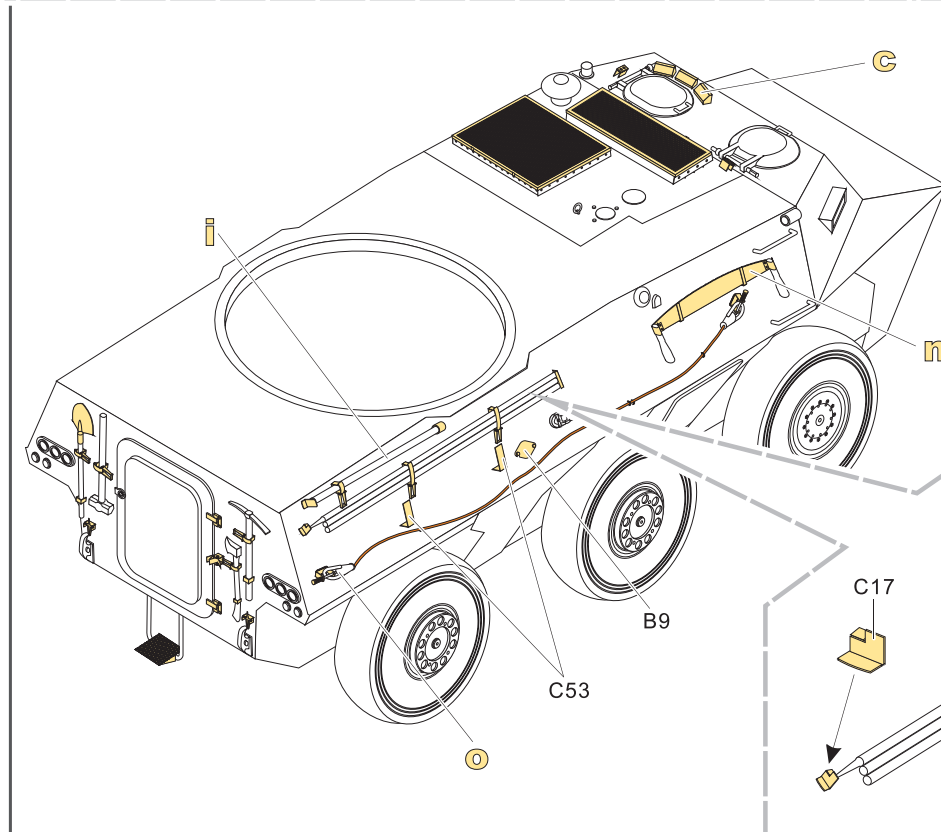
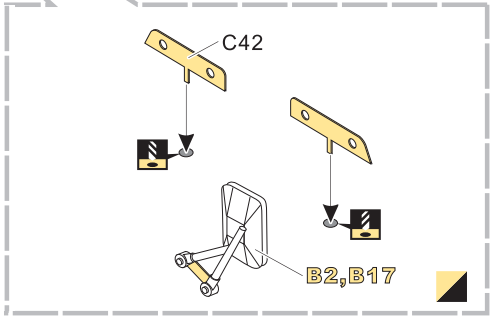
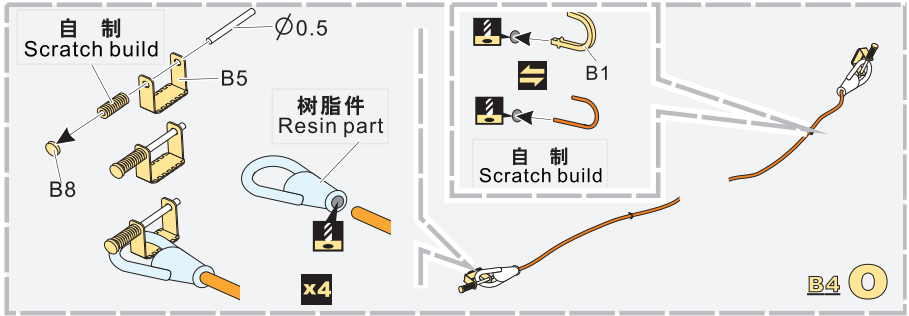
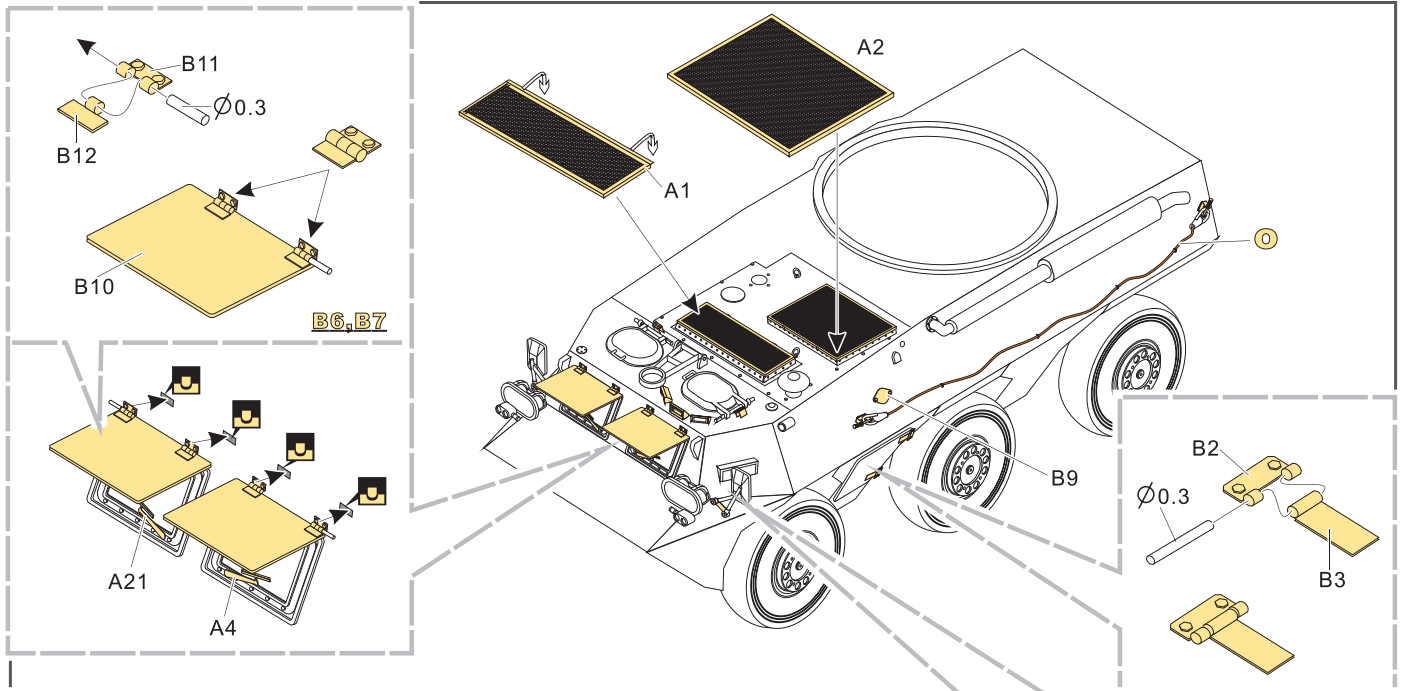


The main assembly diagrams are organized into sections labeled a, b, c, d, and e. Section 'a' shows the assembly of the turret base with parts C77, C66, C23, J2, C49, C64, C51, and C28. Section 'b' shows the turret ring assembly with parts C79, C55, C8, C5, and C46. Section 'c' shows the turret housing assembly with parts C47, C39, C1, and C7. Section 'd' shows the turret mounting assembly with parts C13, C12, C24, C25, C18, C35, C12, C36, C38, C44, C19, C31, C5, C2, K13, C27, C15, C16, K3, and K4. Section 'e' shows the turret mounting assembly with parts C14, K14, C43, C13, C12, C24, C25, C18, C35, C12, C36, C38, C44, C19, C31, C5, C2, K13, C27, C15, C16, K3, and K4.

1/35 MILITARY MINIATURE VEHICLE UPGRADE SERIES PE35527



1/35 MILITARY MINIATURE VEHICLE UPGRADE SERIES PE35527



VOYAGERMODEL® 无微不至 极尽享受	
Recommended item	
PEA179	CHINESE PLA AFV smoke discharger
PEA181	CHINESE PLA AFV Stenciling template1

[Http://www.voyagermodel.com/productdetails.asp?itemid=PE35527](http://www.voyagermodel.com/productdetails.asp?itemid=PE35527)



VOYAGER MODEL



更多PE35527样品照片参考请扫一扫
MORE PICTUER OF PE 35527
REFERENCE SCAN HERE

