

LIMITED EDITION!

CED48140

F-104

Starfighter #4



F-104G JaboG 33 Farewell Scheme
CF-104 Royal Danish Air Force



**SIZED FOR THE
HASEGAWA
KIT!**

Recommended kit:
1:48 Hasegawa F-104

**Cutting
Edge**
MODELWORKS

P.O. Box 3956
Merrifield, VA 22116
USA

www.meteorprod.com



CED48140

RAL 1007 Chromgelb



RAL 9005 Tiefschwarz



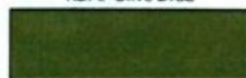
**F-104G, JaboG 33, Buchel AB
'Farewell scheme'**

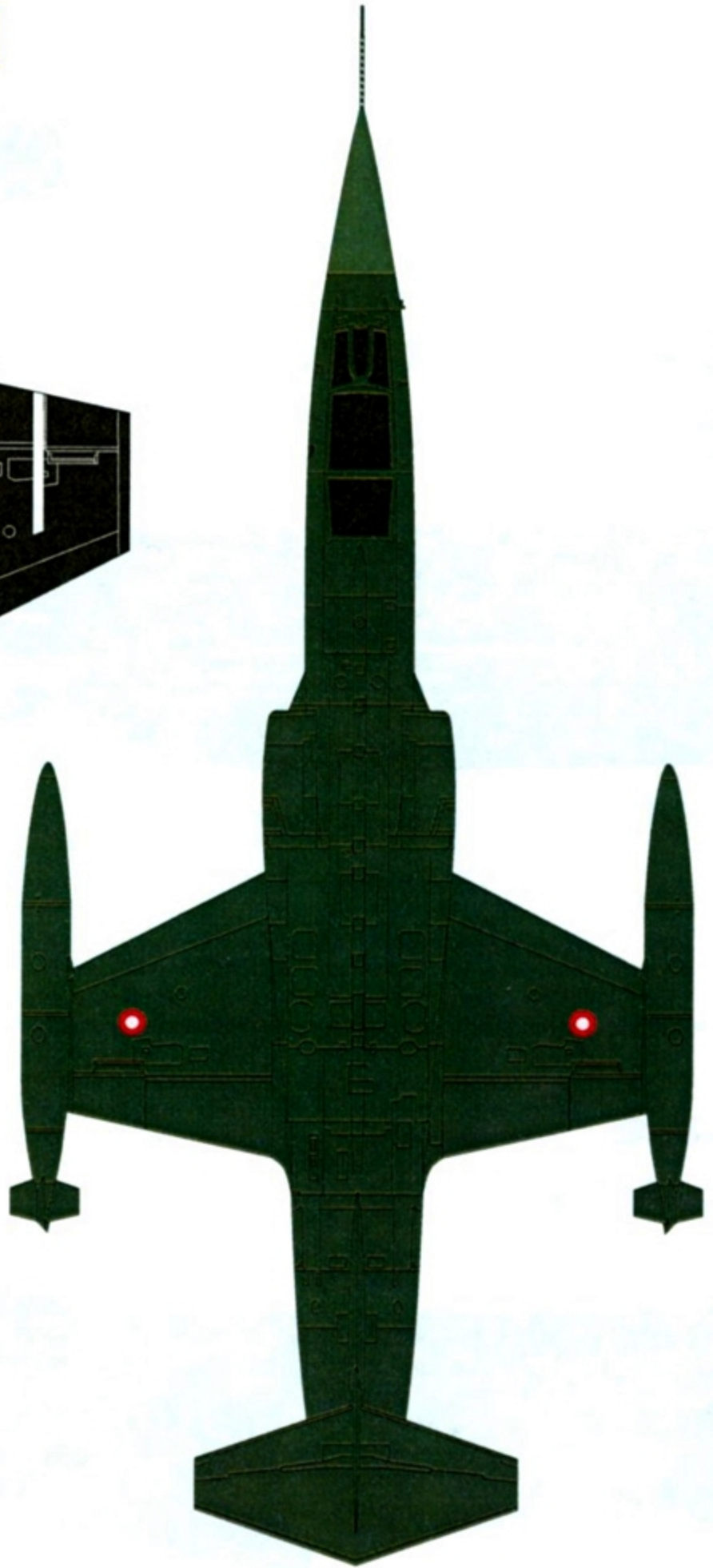
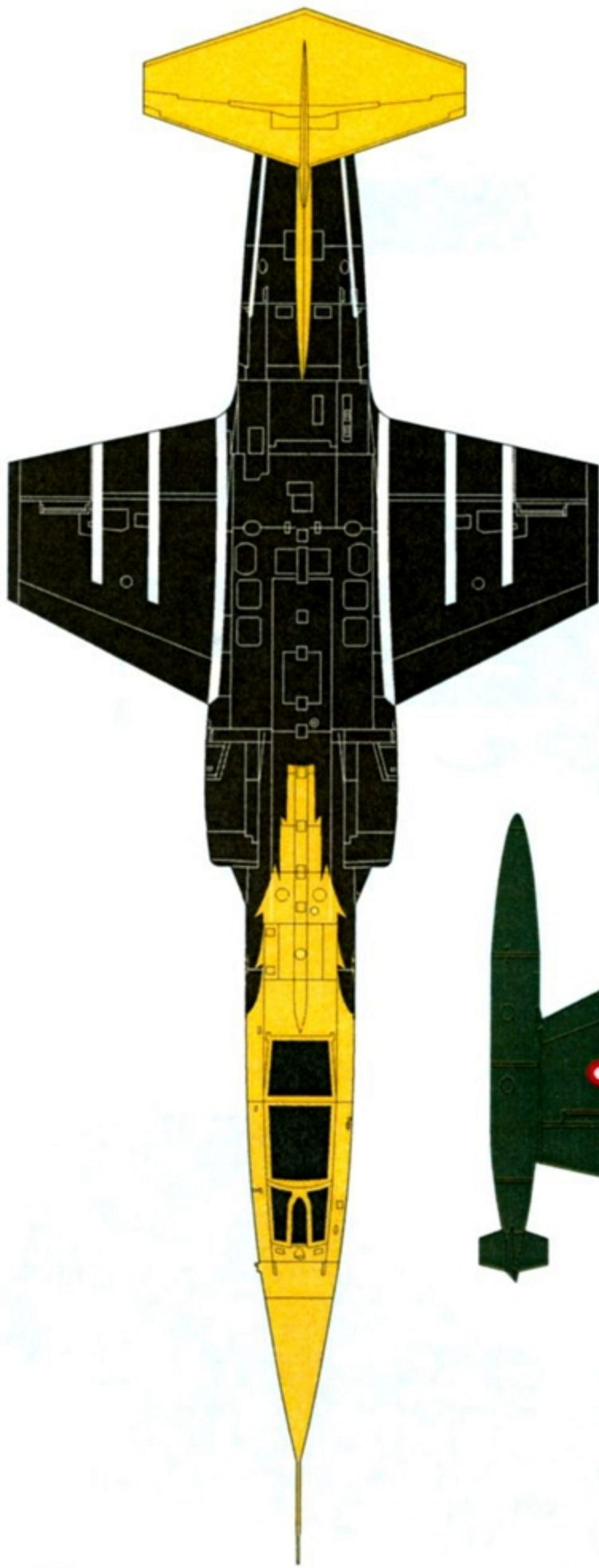


**CF-104
Royal Danish Air Force
Ramstein AB, August, 1979**



RDAF Olive Drab





...available from

Meteor

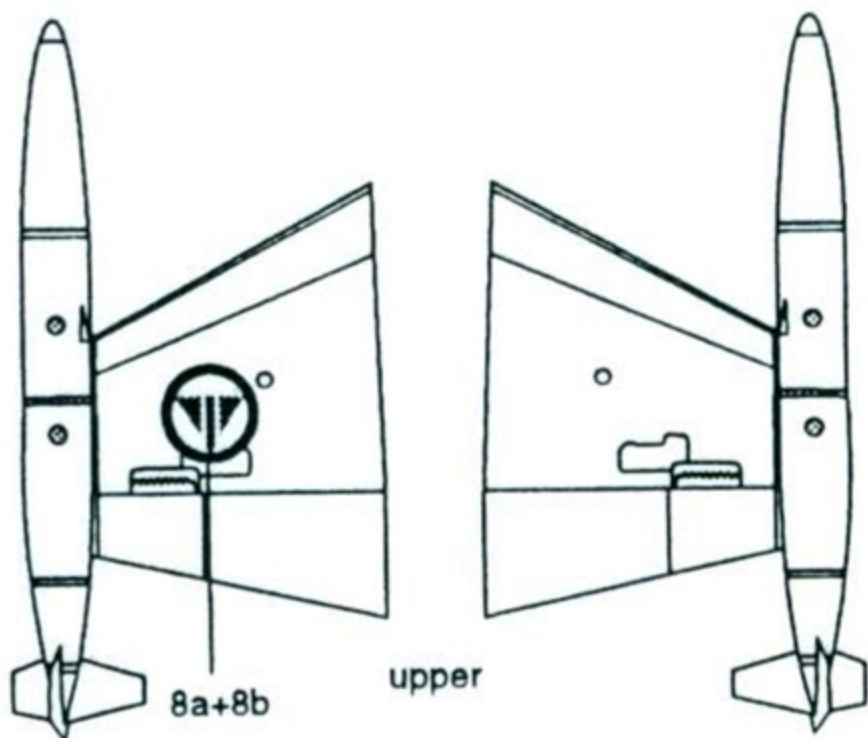
Productions^{inc.}

P.O. Box 3956, Merrifield, VA 22116 USA
☎ 703/971-0500 FAX 703/971-8111

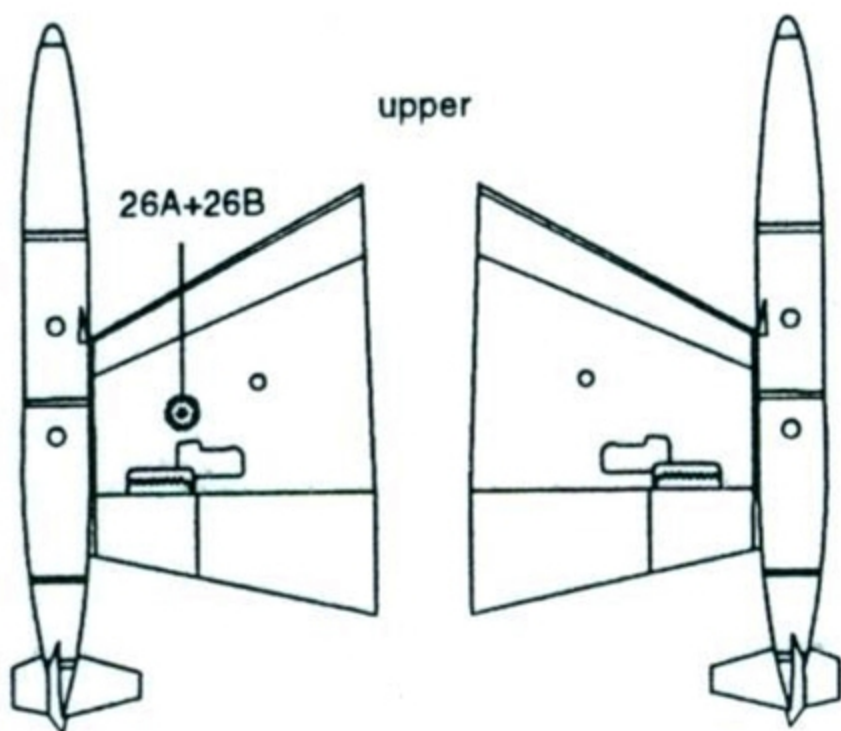
www.meteorprod.com

Write, call, or visit our home page to order our 120+ page catalog of decals, kits, conversions, tools, books, magazines, etc., and we'll send it to you right away!

© Cutting Edge Modelworks, 2000



Notice: Roundels for Norwegian and Italian A/C should be positioned on upper left and lower right wings, and not as shown on color instructions.



Notes on Aircraft



21+67

- This Starfighter was decorated for the final days of the F-104 at Büchel AB, Germany, where a farewell ceremony was held on May 30, 1985.
- No photo could be found depicting the lower wings so we do not know if the 'feather' stripes were applied mid-span. We could see that no white stripe was at the lower root, so we doubt that any were applied to the lower wing. If they were, it would only be the two that are on the actual wing. As always, we've included enough decals for either option.
- In some photos the detailing on the bird's talons and beak appear to be yellow instead of white. This is simply due to slight blurring of the original photo when printed in 4-color process. We have close up photos clearly showing the details are white.

R-345

- This was one of 25 CF-104s received by Denmark from Canada. They were common visitors to NATO air bases all over Europe in the 1980s.
- The RDAF olive green paint was notorious for its poor weathering characteristics. What was their maintenance men's nightmare is a modeler's dream, as the weathered finish is quite striking!

Bibliography

Original photos.

Modell-Fan 10/86.

Flugzeug Lockheed F-104 Starfighter by Gerhard Lang.

FS 595 Color Cross Reference

RAL 1007 [FS 13432] None known

RAL 9005 [FS 17038] Any black

RDAF Olive Drab [FS 34079] FS 4079 Xtracolor X110, Modelmaster 1710, Mr Color 309, Tamiya XF58, Pro Modeler 88-0044, Floquil 303143/303243

Applying the Decals

You probably already know all this stuff, so feel free to use your regular process; however, if you're new to aftermarket decals, here goes:

- Generally, use the Microscale Finishing System. We don't recommend extremely strong decal solvents such as Solvaset.
- Your model must have a smooth, glossy surface, as decals won't adhere well to matte surfaces. Use gloss paints or your favorite clear gloss overspray over matte or semigloss paint.
- Cut each subject out without trimming off the slight excess film (this helps the decal film disappear when dry).
- Put the decal in warm water that has a drop or two of liquid dishwashing soap or photo-flo for 10 seconds.
- When the decal will slide off the backing paper without forcing it, apply it to the proper position on your model. Slide the backing paper out from underneath.
- Gently blot off excess water and smooth out bubbles under the decal surface. If you wish, carefully brush on a mild decal softener such as Micro-Sol.
- When all decals are completely dry, gently wash off all excess decal adhesive.
- Finally, overcoat your model with a good quality gloss coat, followed by your choice of matte or eggshell clear topcoat.