

FAMOUS THE WORLD OVER

the **LINDBERG** line[®]

ESTABLISHED SINCE 1933

112 PARTS

DECALS

U.S. AIR FORCE

USAF

50660

DECAL ANTI GLARE PANEL

OUTBOARD NACELLE

INBOARD NACELLE

AIR FORCE INSIGNIA DECALS

DISPLAY STAND

Note: Paint crewmen suits green, face and hands flesh color, tires black. Use enamel or plastic paints only. Apply all (62) decals as shown in photographs of completed model. If model is to rest on landing gear, use (61) plug button instead of (64) pod stand button under weapons pod.

NOW AVAILABLE!

The complete LINDBERG LINE 20-page catalog with all models in beautiful colors. Send 15c in coin to cover postage and special handling to

LINDBERG PRODUCTS, INC., SKOKIE, ILLINOIS

USE ENAMEL OR PLASTIC PAINTS ONLY. DO NOT USE LACQUER PAINT MATERIALS AS THESE CRAZE THE PLASTIC.

MAIN LANDING GEAR
PAINT TIRES BLACK

WEAPONS POD

NOSE GEAR

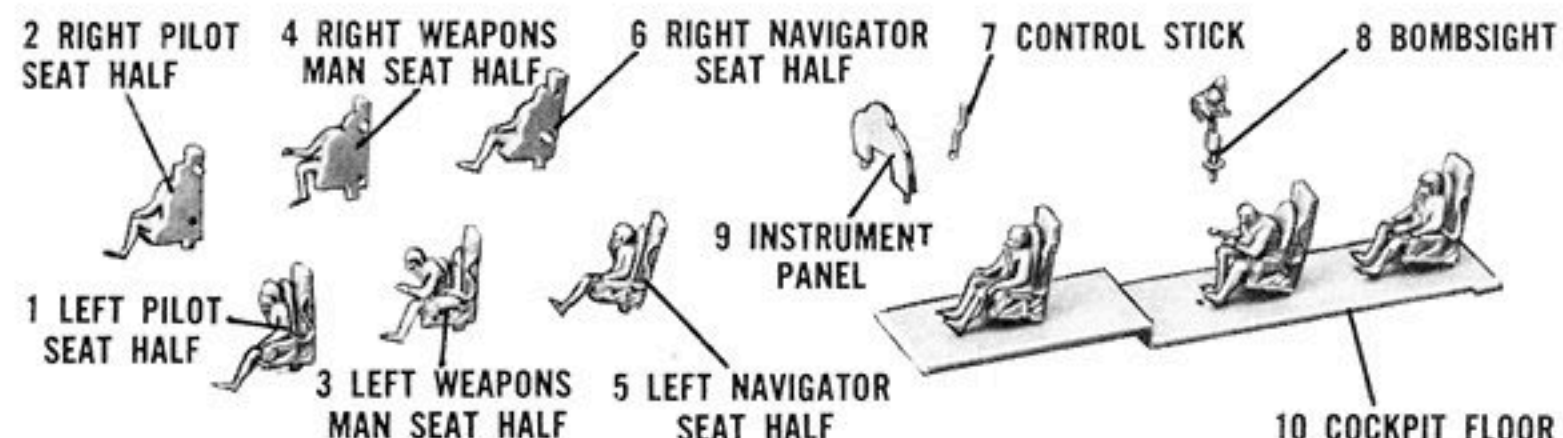
ASSEMBLY PLANS FOR THE

KIT NO. 560

Convair B-58 "Hustler"

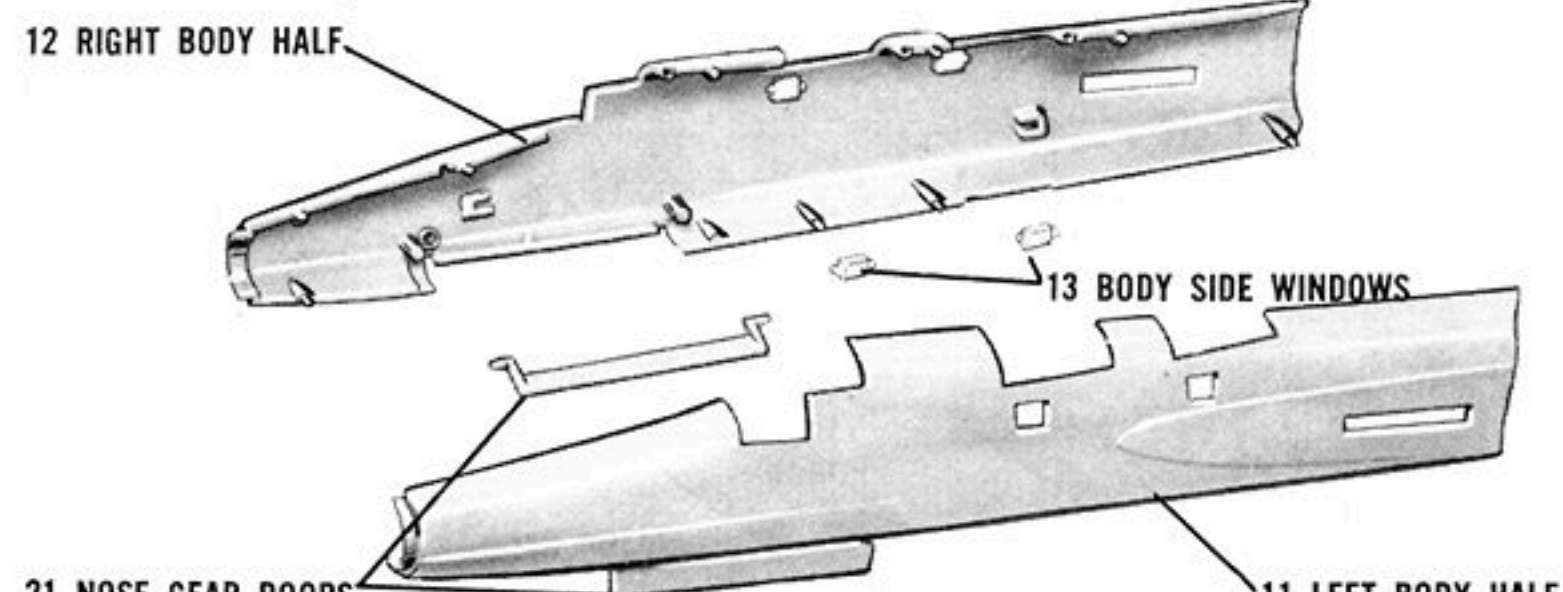
The "Hustler" is the first multi-jet delta bomber in the world capable of supersonic speed in level flight for any great length of time. This aircraft carries its military load in a weapons pod mounted below the fuselage. Its power is supplied by four G.E. J-79 turbojet engines. Operational altitude is around 70,000 feet and a speed of 1200 miles per hour is attained. It is able to stand the heat friction aloft, due to a new method of bonded plastic and steel honeycomb construction. A three man crew flies the "Hustler" along with a complex efficient electronic controls system for high speed flight operation. Like all delta wing aircraft, the B-58 takes off and lands with its nose at a high angle of attack. The "Hustler" represents a modern trend to an exceptionally flexible and effective aircraft weapon.

LOOK FOR OTHER LINDBERG MODELS AT YOUR LOCAL DEALER



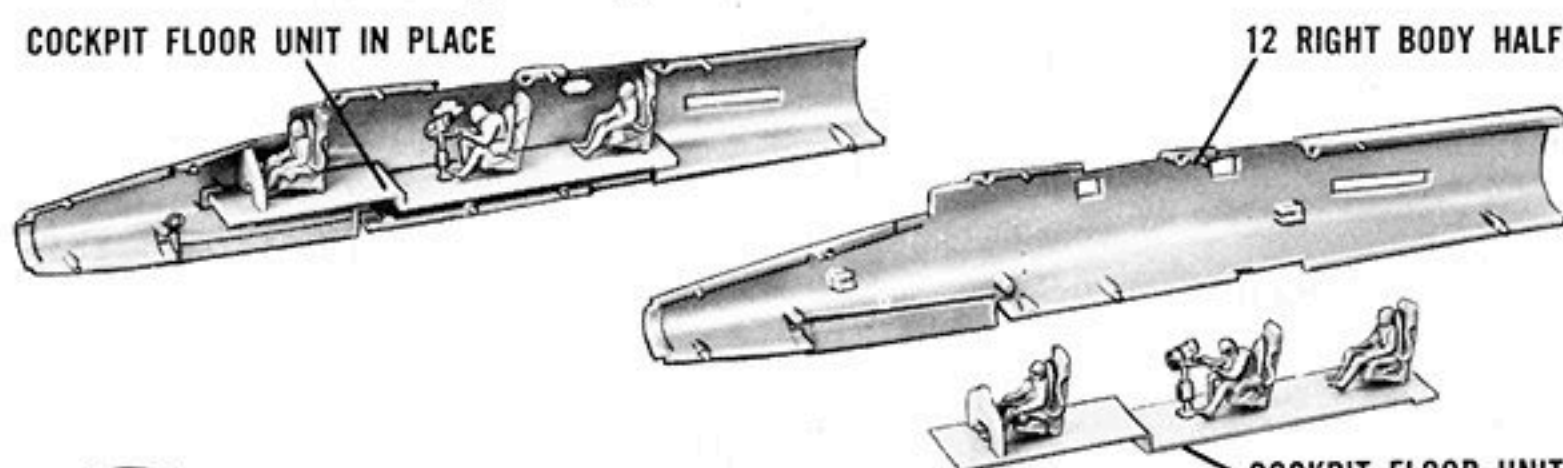
1

Press the following (1) (2), (3) (4), (5) (6) pilot, navigator, weapons man seat halves together. Press (7) control stick (8) bomb sight (9) instrument panel and crew men in place on (10) cockpit floor.



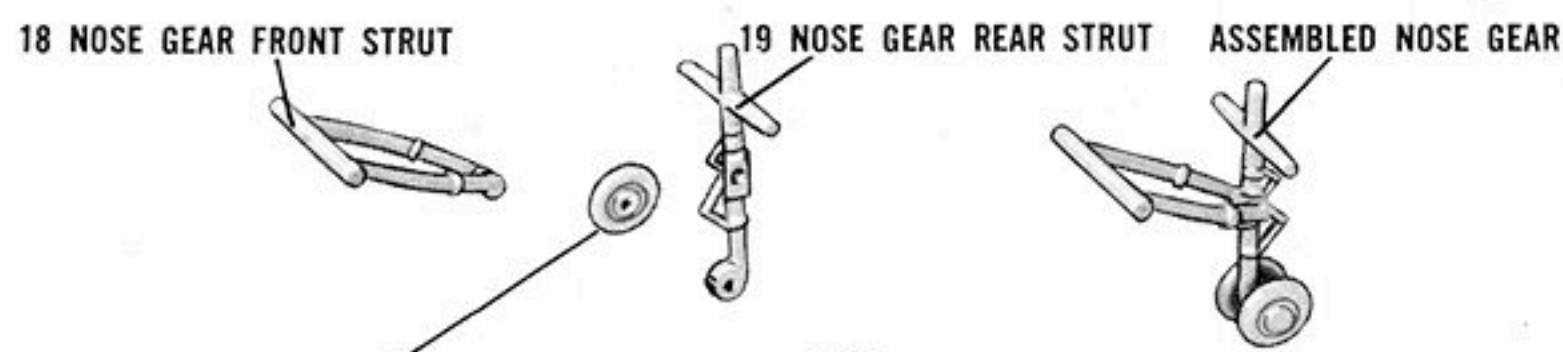
2

Cement (13) body side windows into inside of (11) left (12) right body halves. Snap (21) nose gear doors into front of (11) left (12) right body halves.



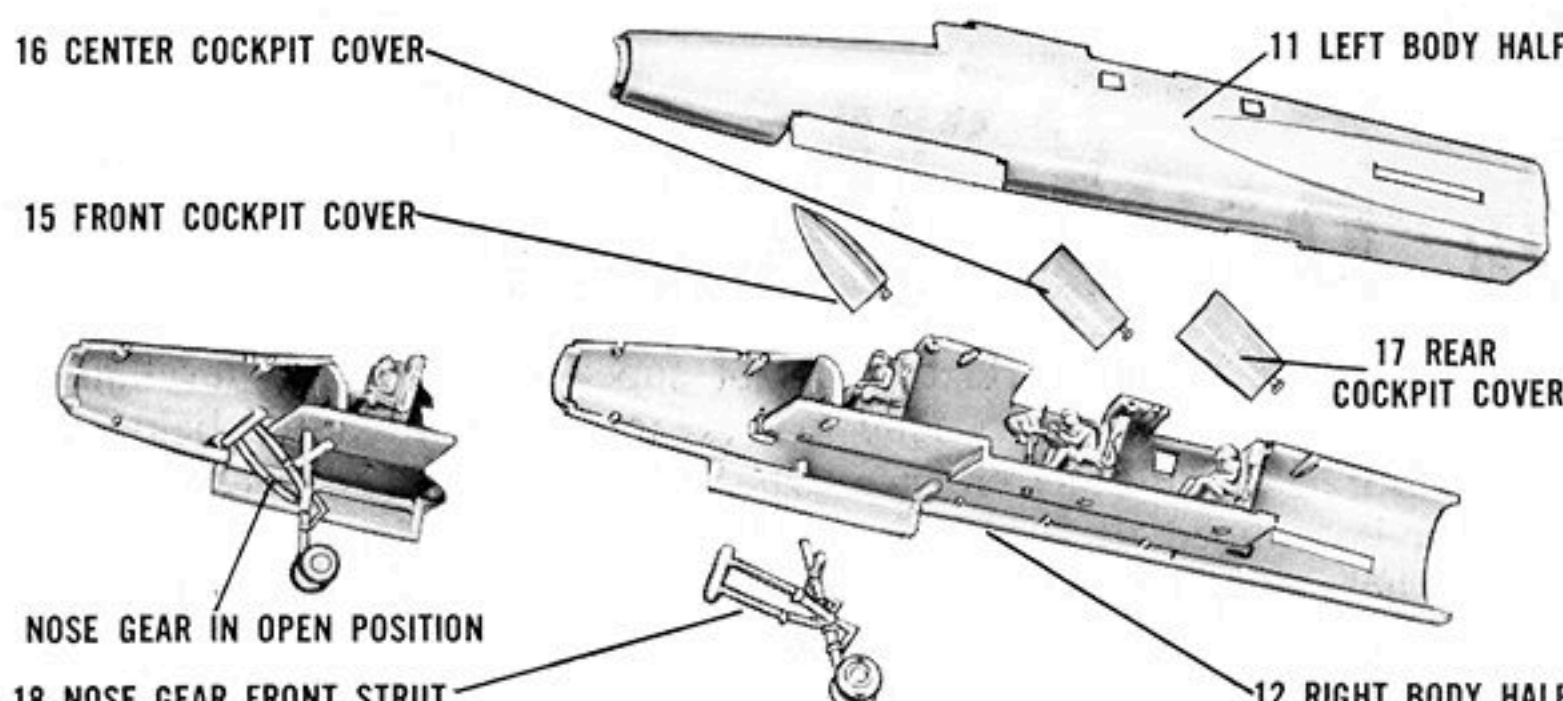
3

Cement cockpit floor unit in position into (12) right body half.



4

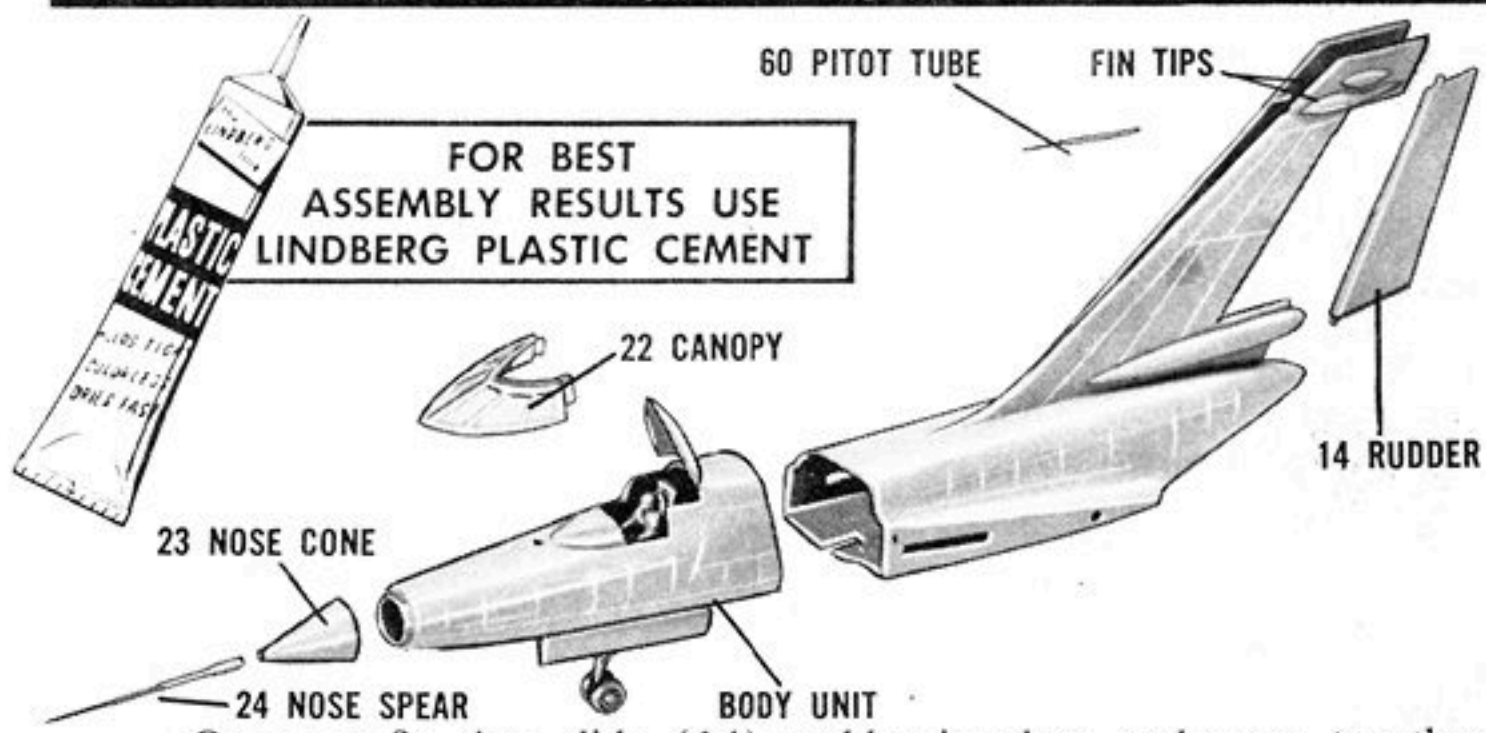
Press the following pieces together (18) nose gear front strut (19) nose gear rear strut (35) wheels no axle (20) wheel medium axle.



5

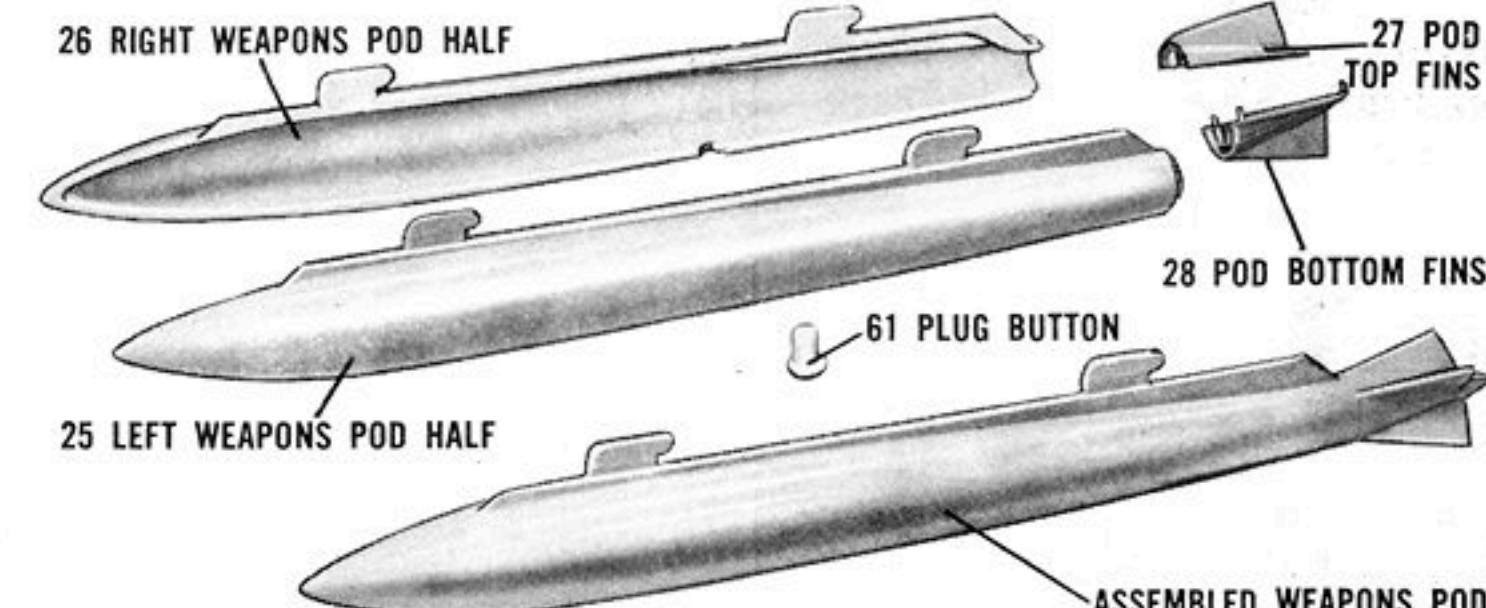
Now, place (18) nose gear front strut (15) front (16) center (17) rear cockpit covers into position on (12) right body half. Press or cement (11) left body half to (12) right body half. Make sure all parts line up before pressing body halves together.

EASY TO ASSEMBLE STEP BY STEP INSTRUCTIONS



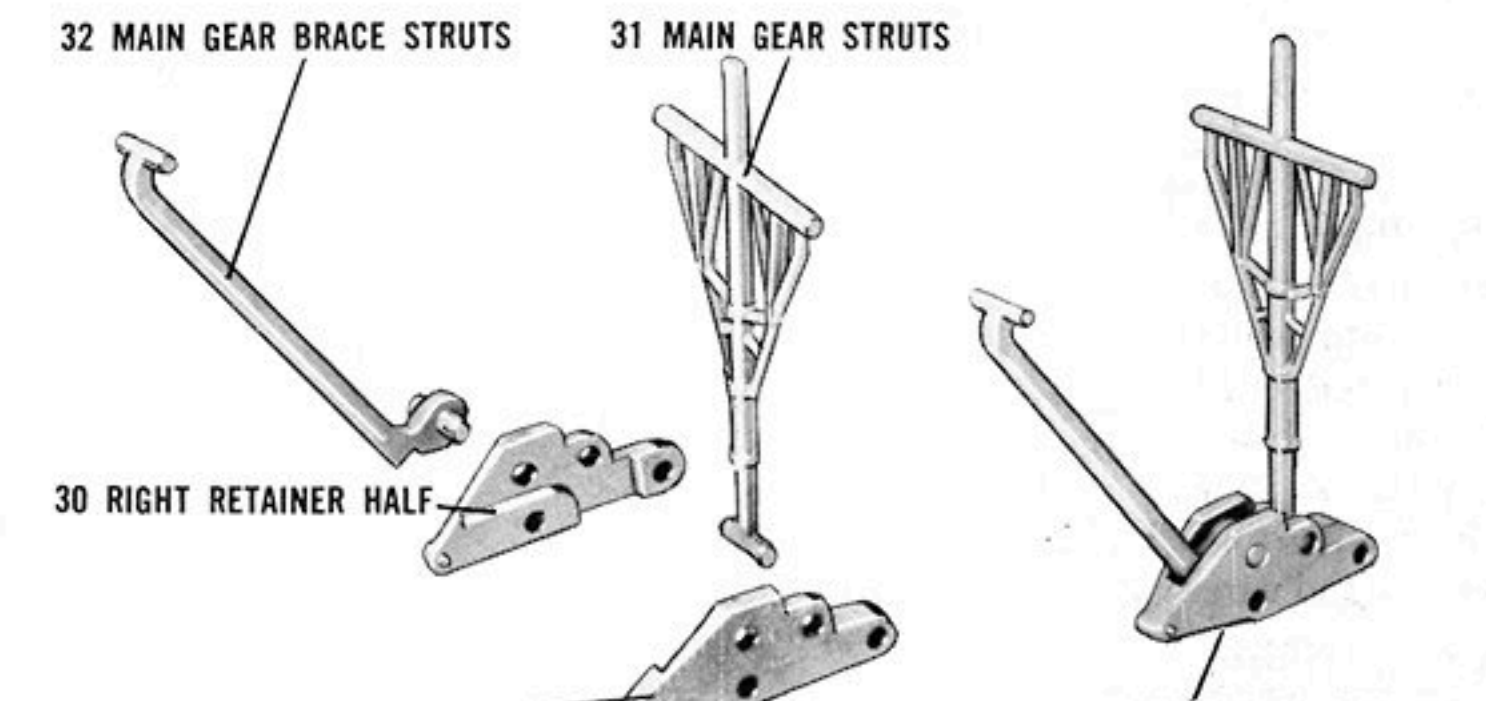
6

Open up fin tips, slide (14) rudder in place and press together. Press (22) canopy (23) nose cone (24) nose spear onto body unit. Press or cement (60) pitot tube into front of fin.



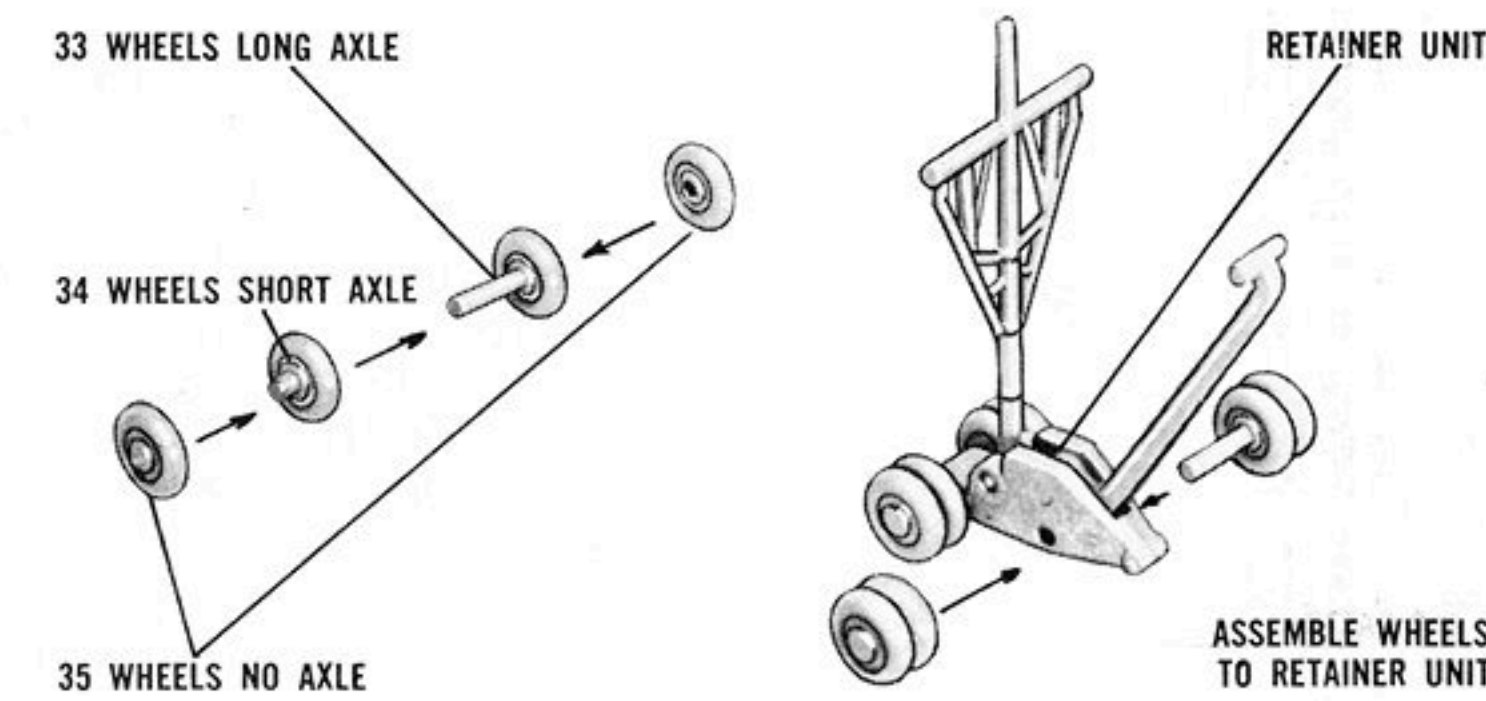
7

Cement (25) left (26) right weapons pod halves and (27) top (28) bottom pod fins together. Then (61) plug button into bottom of pod.



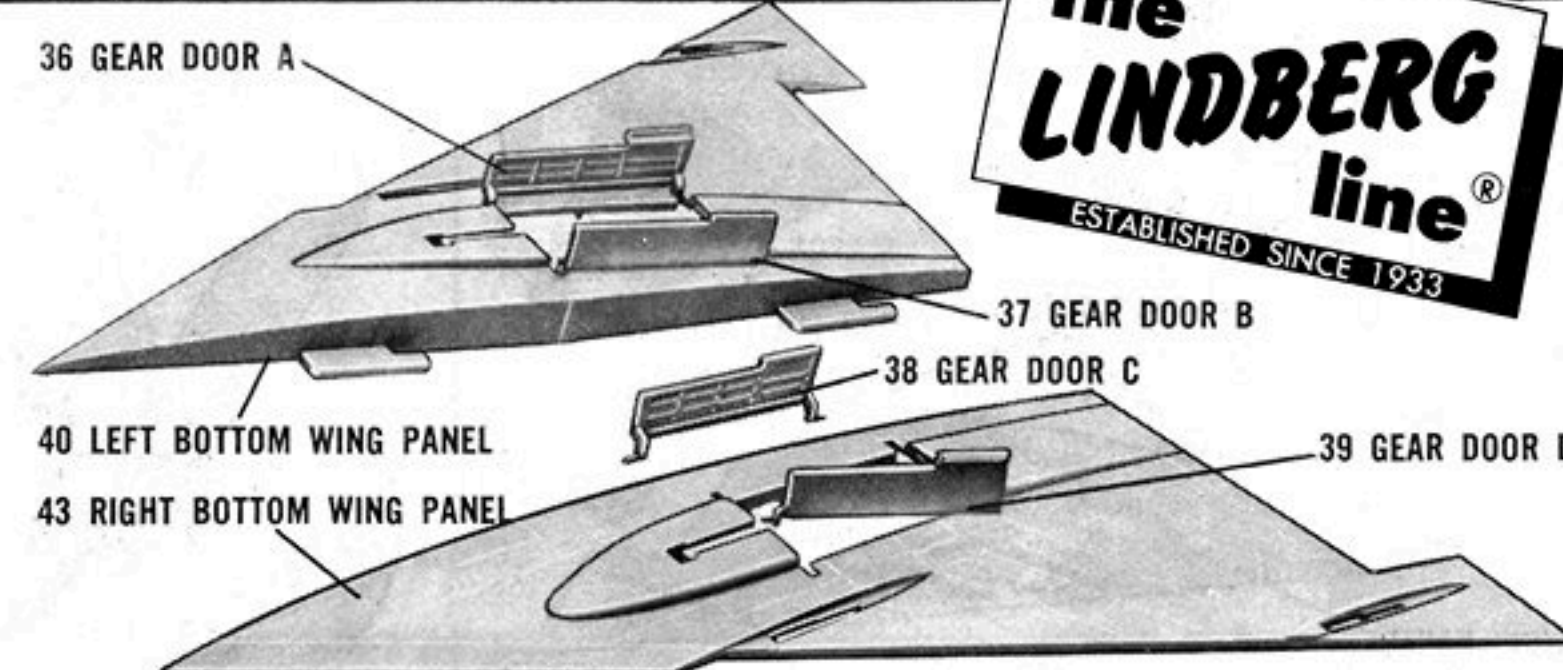
8

Lay (31) main gear struts (32) main gear brace struts bottom ends into (29) left retainer halves. Press (30) right retainer halves in place to (29) left retainer halves.



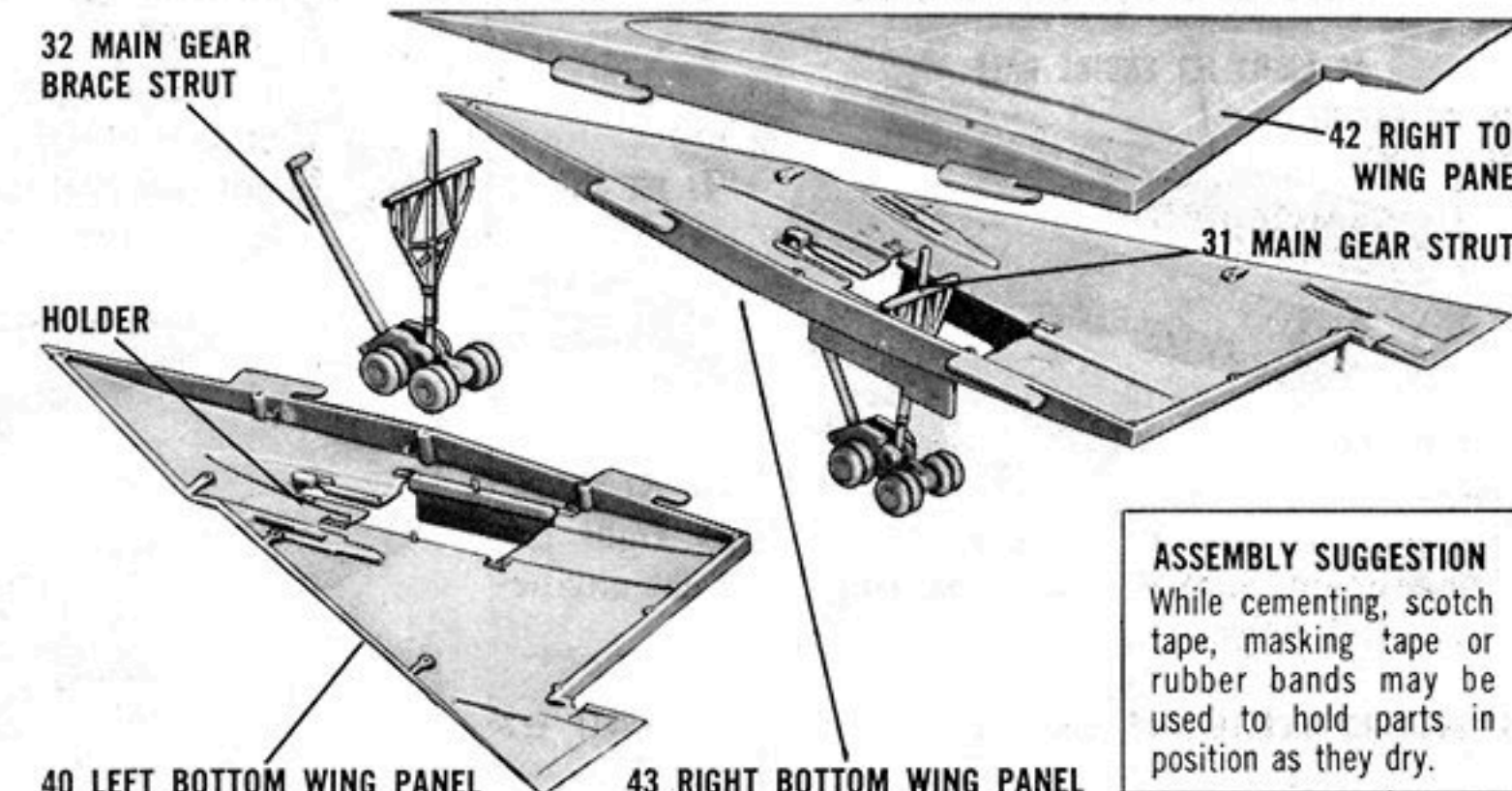
9

Press (35) wheels no axle onto (34) wheels short axle and (33) wheels long axle together onto retainer units.



10

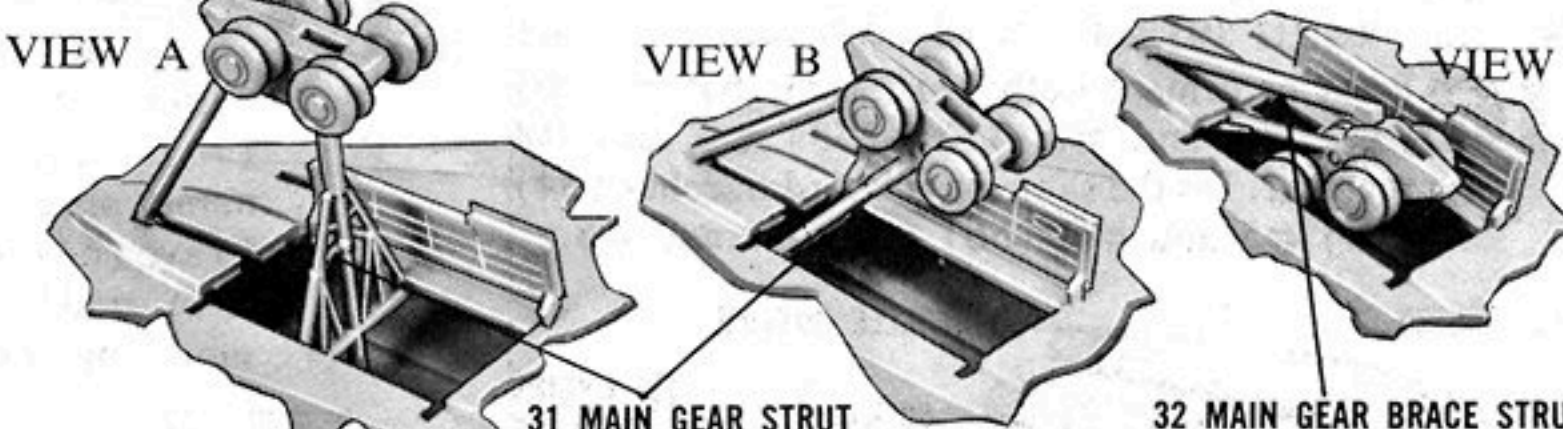
Press (36) (37) (38) (39) gear doors ABCD in position into (40) left (43) right bottom wing panels.



ASSEMBLY SUGGESTION
While cementing, scotch tape, masking tape or rubber bands may be used to hold parts in position as they dry.

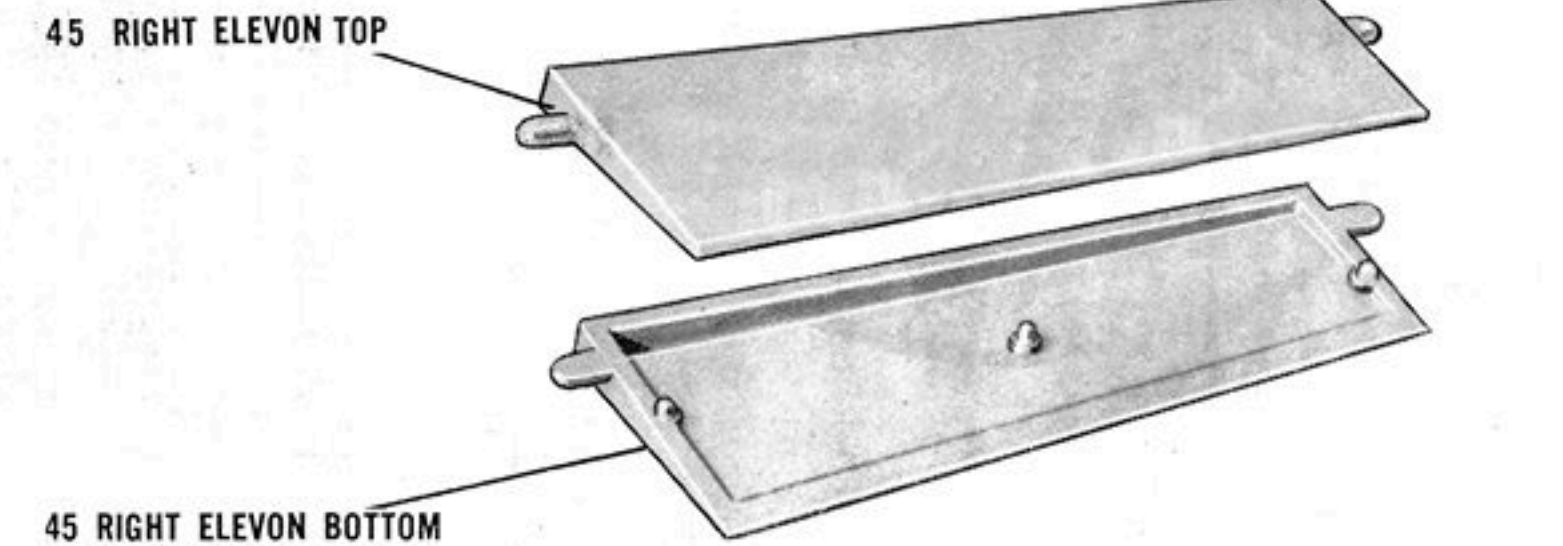
11

Press front of (32) main gear brace struts into holders inside of (40) left (43) right bottom wing panels. Place (31) main gear struts into bottom of wing openings as shown. Press or cement (41) left (42) right top wing panels to (40) left (43) right bottom wing panels.



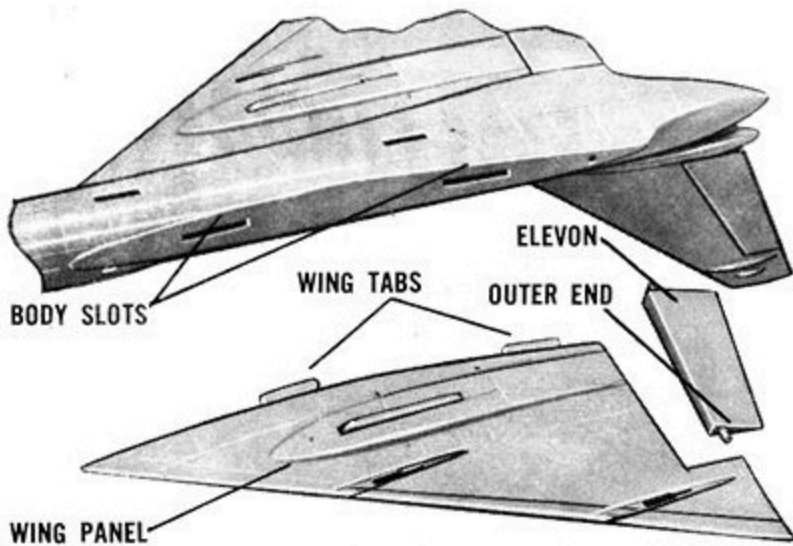
12

VIEW A, landing gear shown in fully open position. One gear door left off for clarity in views. VIEW B, to retract main gear, move (31) main gear strut forward into wing opening. Press tip of wheel retainer unit down and back slowly. VIEW C, turn wheel retainer unit around and down, follow arrow. Press landing gear doors down and close. To pull gear out, open gear doors, pull up on (32) main gear brace strut. Slide (31) main gear strut back into place.

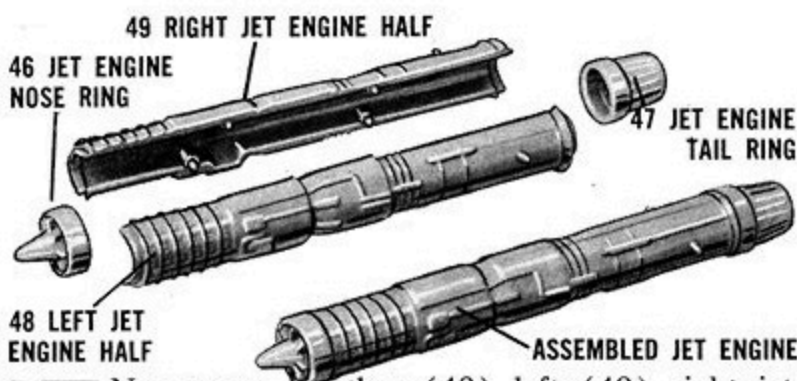


13

Press or cement (44) left (45) right elevon halves together.

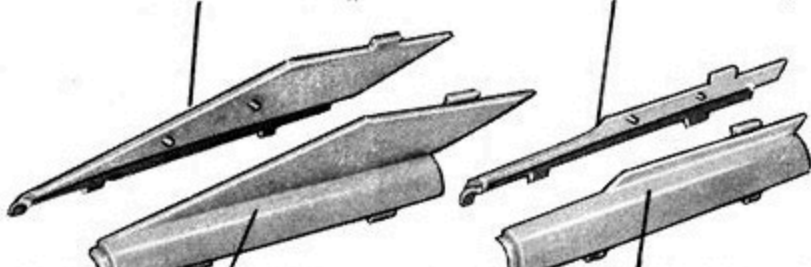


14 Place outer ends of elevons into wing panel tips. Lay wing tabs into body slots, press in and slide wings back to lock.

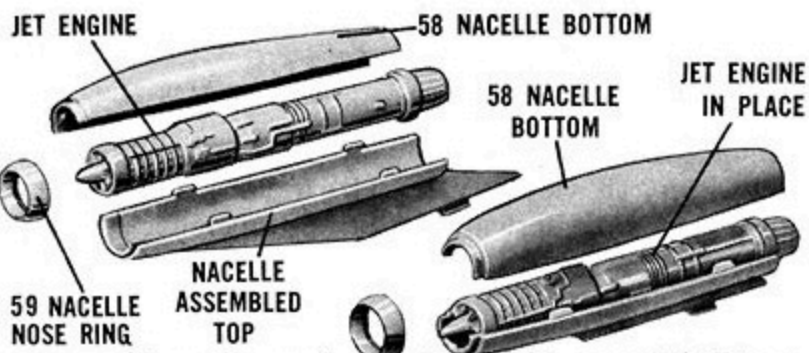


15 Now press together (48) left (49) right jet engine halves (46) nose ring (47) jet engine tail rings.

55 INBOARD NACELLE HALF #6 51 OUTBOARD NACELLE HALF #2

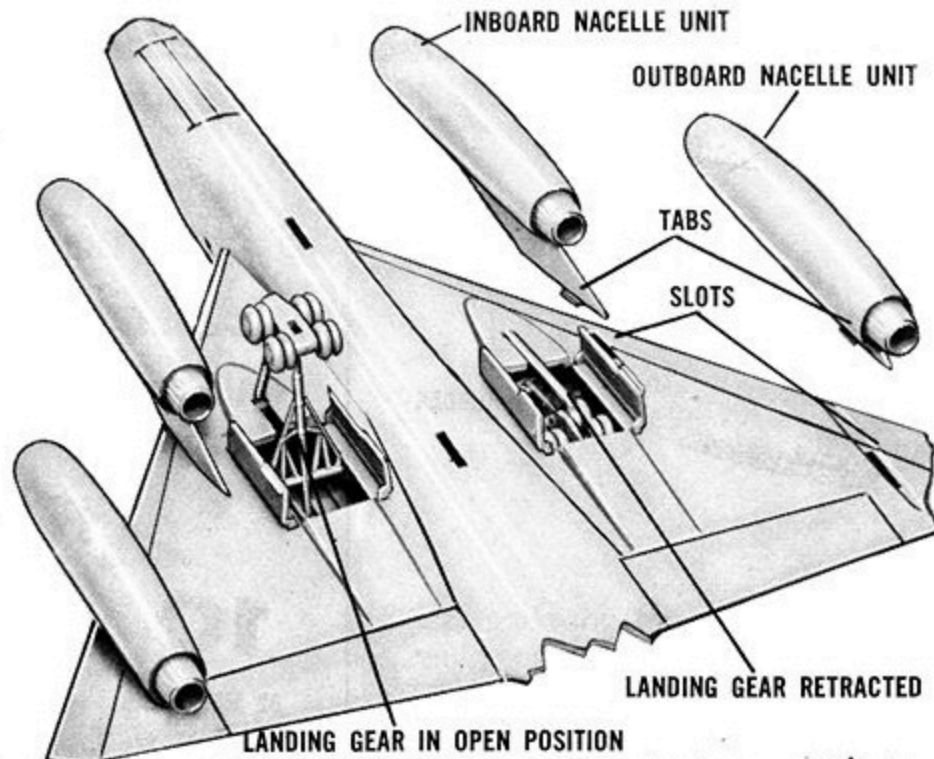


16 Press or cement outboard nacelle halves (50) (51) #1 and #2, (52) (53) #3 and #4 together. Do the same on inboard nacelles (54) (55) #5 and #6, (56) (57) #7 and #8.

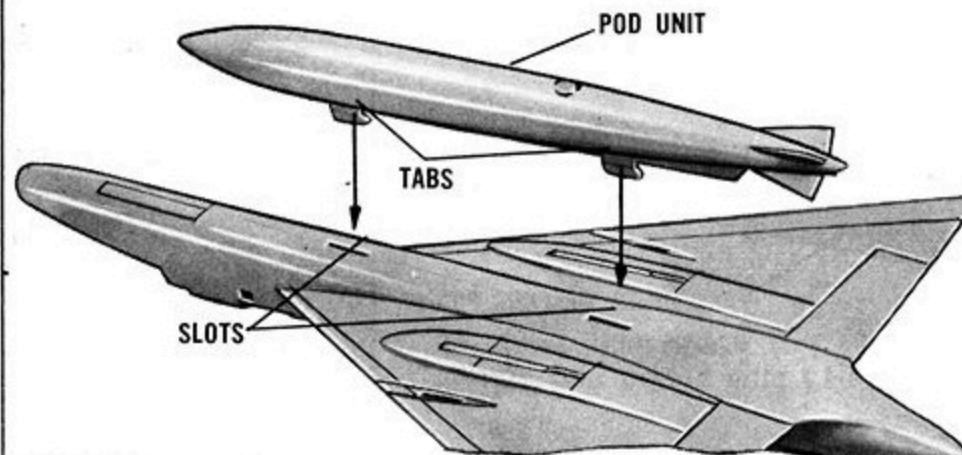


17 Place jet engines into nacelle assembled tops. Press (58) nacelle bottoms in position over jet engines. Press (59) nacelle nose rings to front of nacelles.

LINDBERG PRODUCTS INC.
SKOKIE, ILLINOIS

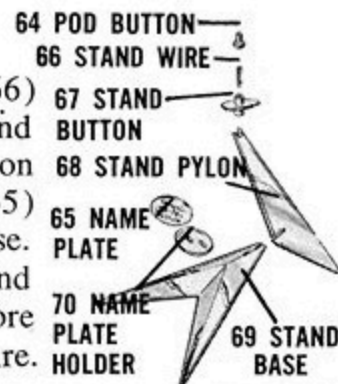


18 Slide outboard and inboard nacelle units into position in slots on bottom of wing panels. Slide nacelle units back to lock tabs into wing slots.



19 Press tabs on weapons pod unit into slots under bottom of body. Slide pod unit back to lock into body.

20 Assemble stand parts. Press (66) stand wire into top of (67) stand button. Cement (68) stand pylon (70) name plate holder and (65) name plate to (69) stand base. Leave (64) pod stand button and (67) stand button dry well before mounting model on (66) stand wire.



CONVAIR B-58 "HUSTLER"					
CODE	PARTS	ITEM	CODE	PARTS	ITEM
1.	1	LEFT PILOT SEAT HALF	36.	1	GEAR DOOR A
2.	1	RIGHT PILOT SEAT HALF	37.	1	GEAR DOOR B
3.	1	LEFT WEAPONS MAN SEAT HALF	38.	1	GEAR DOOR C
4.	1	RIGHT WEAPONS MAN SEAT HALF	39.	1	GEAR DOOR D
5.	1	LEFT NAVIGATOR SEAT HALF	40.	1	LEFT BOTTOM WING PANEL
6.	1	RIGHT NAVIGATOR SEAT HALF	41.	1	LEFT TOP WING PANEL
7.	1	CONTROL STICK	42.	1	RIGHT TOP WING PANEL
8.	1	BOMB SIGHT	43.	1	RIGHT BOTTOM WING PANEL
9.	1	INSTRUMENT PANEL	44.	2	LEFT ELEVON HALVES
10.	1	COCKPIT FLOOR	45.	2	RIGHT ELEVON HALVES
11.	1	LEFT BODY HALF	46.	4	JET ENGINE NOSE RING
12.	1	RIGHT BODY HALF	47.	4	JET ENGINE TAIL RING
13.	4	BODY SIDE WINDOWS	48.	4	JET ENGINE LEFT HALVES
14.	1	RUDDER	49.	4	JET ENGINE RIGHT HALVES
15.	1	FRONT COCKPIT COVER	50.	1	OUTBOARD NACELLE HALF #1
16.	1	CENTER COCKPIT COVER	51.	1	OUTBOARD NACELLE HALF #2
17.	1	REAR COCKPIT COVER	52.	1	OUTBOARD NACELLE HALF #3
18.	1	NOSE GEAR FRONT STRUT	53.	1	OUTBOARD NACELLE HALF #4
19.	1	NOSE GEAR REAR STRUT	54.	1	INBOARD NACELLE HALF #5
20.	1	WHEEL MEDIUM AXLE	55.	1	INBOARD NACELLE HALF #6
21.	2	NOSE GEAR DOORS	56.	1	INBOARD NACELLE HALF #7
22.	1	CANOPY	57.	1	INBOARD NACELLE HALF #8
23.	1	NOSE CONE	58.	4	NACELLE BOTTOM
24.	1	NOSE SPEAR	59.	4	NACELLE NOSE RING
25.	1	LEFT WEAPONS POD HALF	60.	1	PITOT TUBE
26.	1	RIGHT WEAPONS POD HALF	61.	1	PLUG BUTTON
27.	1	POD TOP FINS	62.	1	DECAL
28.	1	POD BOTTOM FINS	63.	1	PLAN
29.	2	LEFT RETAINER HALVES	64.	1	POD STAND BUTTON
30.	2	RIGHT RETAINER HALVES	65.	1	NAME PLATE
31.	2	MAIN GEAR STRUTS	66.	1	STAND WIRE
32.	2	MAIN GEAR BRACE STRUTS	67.	1	STAND BUTTON
33.	4	WHEELS LONG AXLE	68.	1	STAND PYLON
34.	4	WHEELS SHORT AXLE	69.	1	STAND BASE
35.	9	WHEELS NO AXLE	70.	1	NAME PLATE HOLDER

112 PARTS