

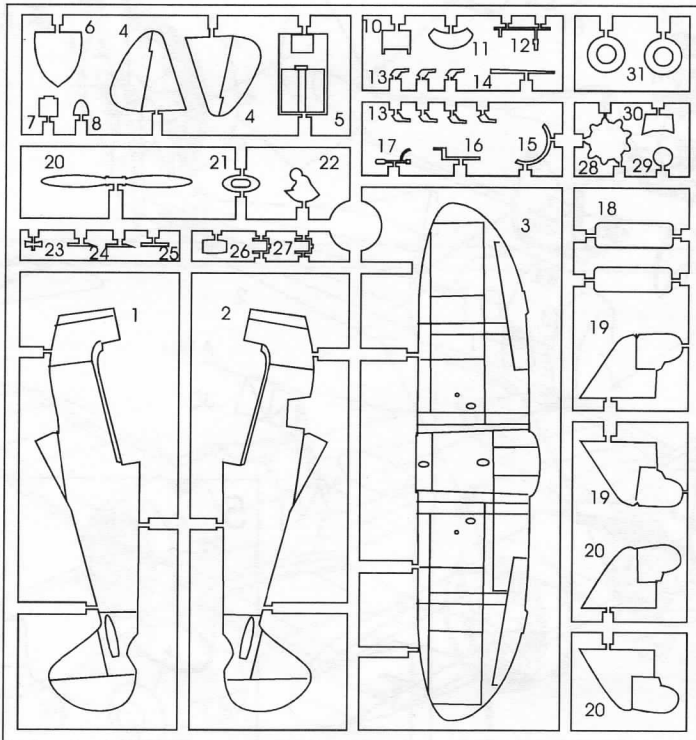
# P-26 Peashooter

Plastic kits

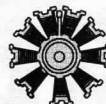
Scale 1/72

The project, funded by Boeing, to produce the Boeing Model 248 began in September 1931, with the Army Air Corps supplying the engines and the instruments. The design - which included an open cockpit, fixed landing gear and externally braced wings, was the last such design procured by the USAAC as a fighter aircraft. The Model 248 had a high landing speed, which caused a number of accidents. To remedy this, flaps were fitted to reduce the landing speed. The Army Air Corps ordered three prototypes, designated XP-936, with the first flight on 20 March 1932. The Boeing XP-936 was still tricky to land. The prototype's unarmored headrest offered virtually no protection in such instances. As a result, production Model 266s (P-26As) had a taller, armored headrest installed. Two fighters were completed as the P-26B with a fuel-injected Pratt & Whitney R-1340-33 engine. These were followed by 23 P-26Cs, with carbured R-1340-33s and modified fuel systems. Both the Spanish Air Force (one aircraft) and the Chinese Air Force (11 aircraft) ordered examples of the Model 281 version of the P-26C in 1936. By December 1941, U.S. fighter strength in the Philippines included 28 P-26s, 12 of which were operational with the 6th Pursuit Squadron of the Philippine Army Air Corps. Only nine P-26s remained airworthy, serving in the Panama Canal Zone. In 1942-43, the Fuerza Aérea de Guatemala acquired seven P-26s ostensibly by the U.S. government smuggling them in as "Boeing PT-26A" trainers to get around restrictions of sales to Latin American countries.

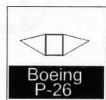
Plastic parts



PUR parts P1



Transparent part

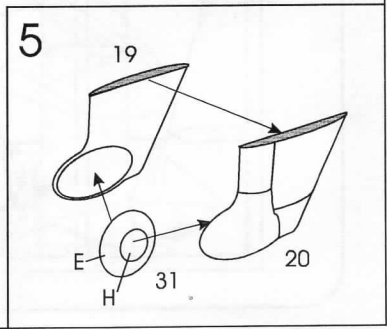
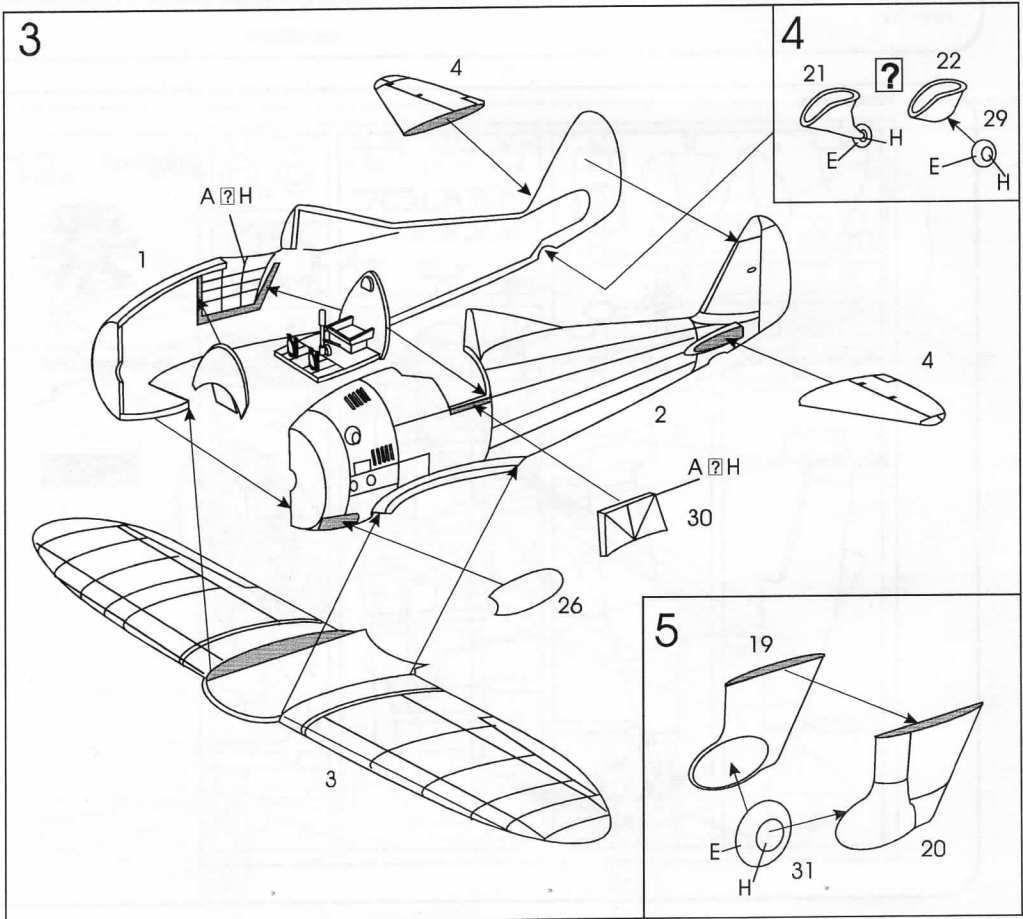
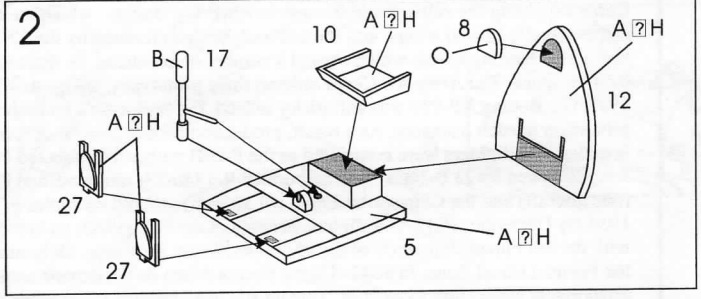
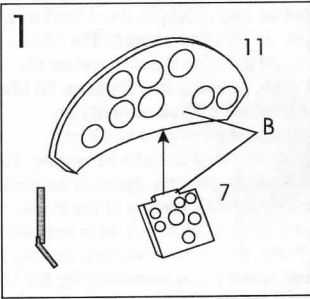


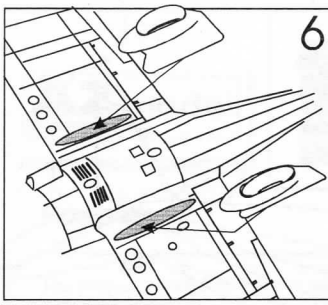
Boeing P-26

	Colour name	Number		Colour name	Number
A	Chromate Yellow Primer	H81	I	Light Blue	H80
B	Black	H33	J	Yellow	H154
C	Rust	H113	K	Olive Drab	H142
D	Linen	H74	L	Gold	H16
E	Tyre Black	H85	M	Light Grey	H127
F	Gun Metal	H53	N	Light Olive Drab	H155
G	Engine Grey	H87	O	Leather	H180
H	Aluminium	H56	P		



# INSTRUCTIONS

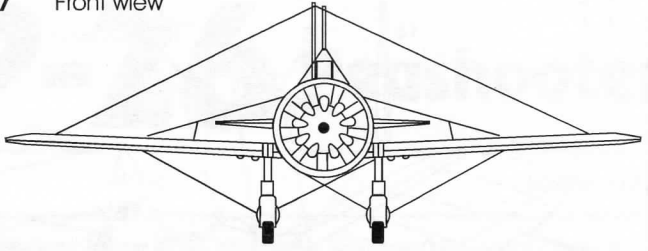




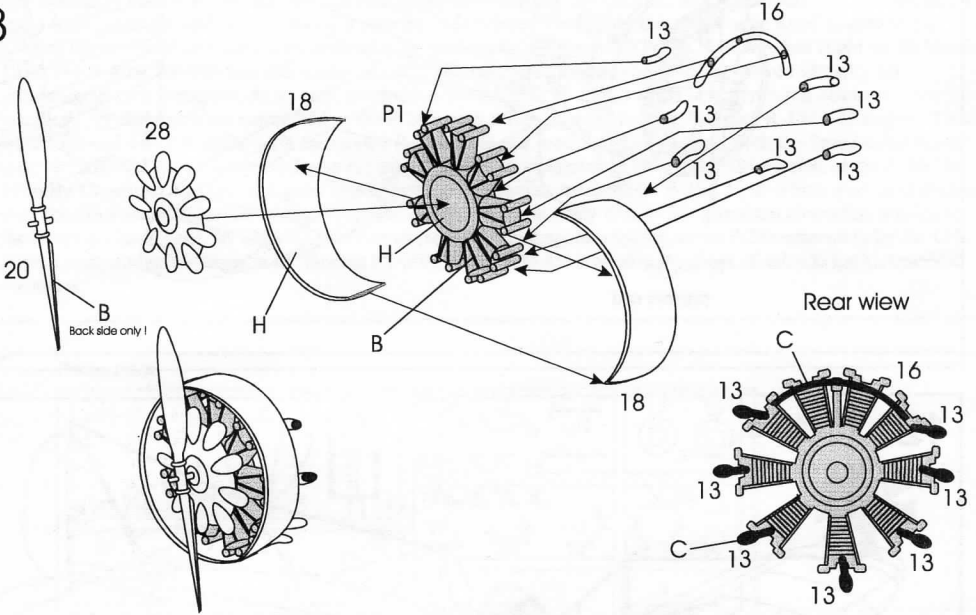
6

7

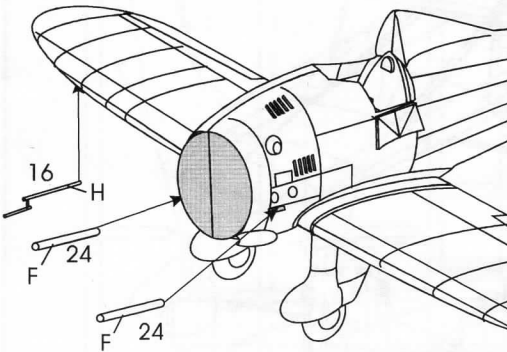
Front view



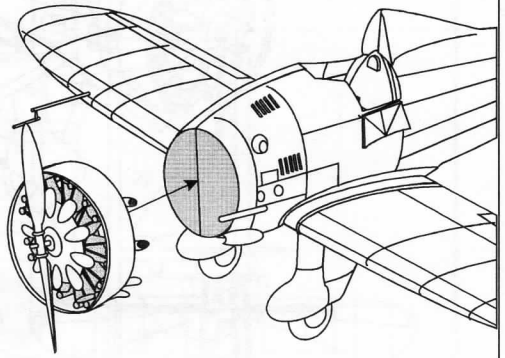
8



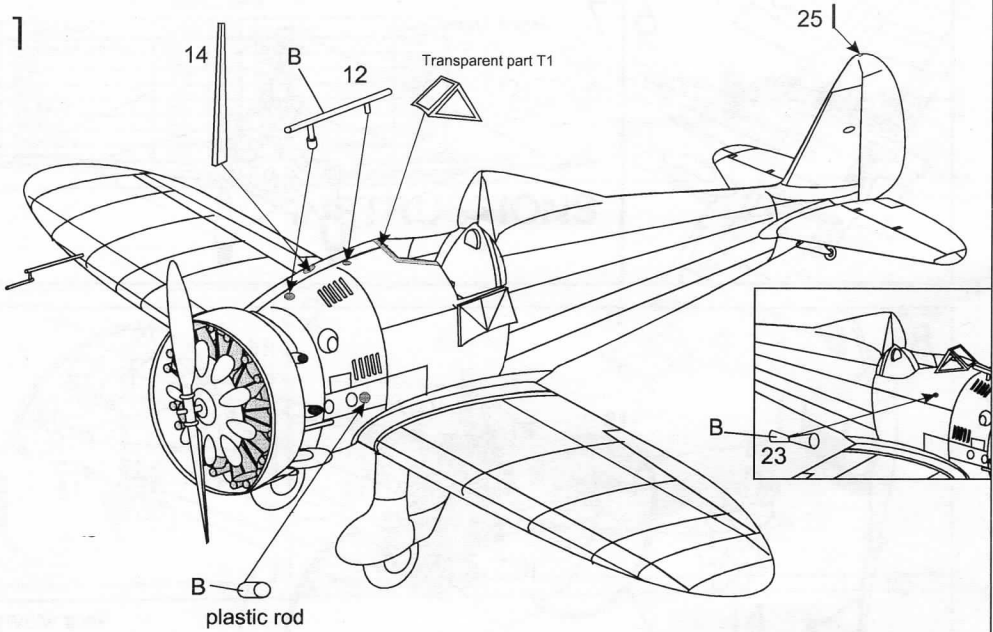
9



10



11



12

wire

