

Spitfire Mk IX MK805/SH-B

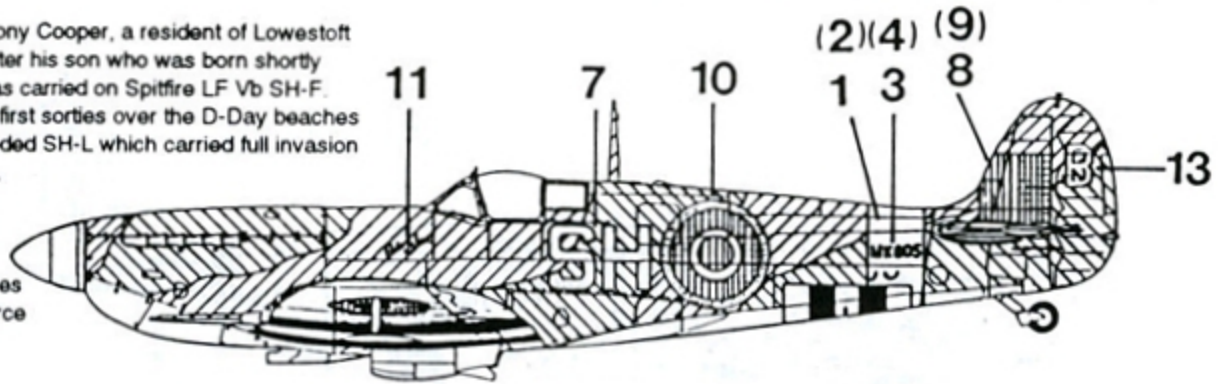
64 Squadron July 1944

Standard Dark Green/Ocean Grey Upper surfaces with Medium Sea Grey Lower surfaces.

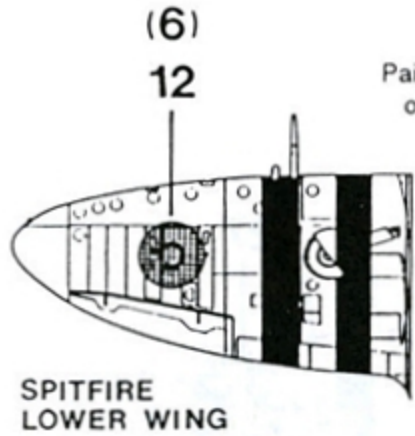
Sky spinner and tail band. 18" Invasion stripes on lower wings and fuselage only

With thanks to A.G.Cooper for his help in the preparation of this decal.

MK 805 was flown by Flt. Lt Tony Cooper, a resident of Lowestoft and is named Peter John III after his son who was born shortly before D-Day. Peter John I was carried on Spitfire LF Vb SH-F. Flt. Lt. Cooper flew one of the first sorties over the D-Day beaches on June 6th in Spitfire F Vb coded SH-L which carried full invasion stripes on fuselage and wings. MK 805 was transferred to the Mediterranean theatre in May 1945 and the Italian AF in June 1946. It still survives to this day in the Italian Air Force Museum at Vigna di Valle.



Decal numbers in brackets ( ) go in same position on other side. B type roundels on wing upper surface

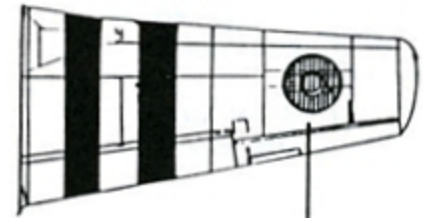
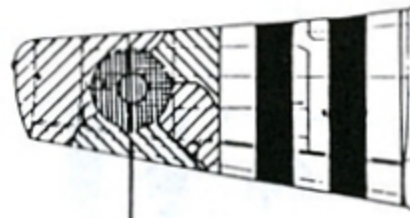


Paint leading edge of wing yellow

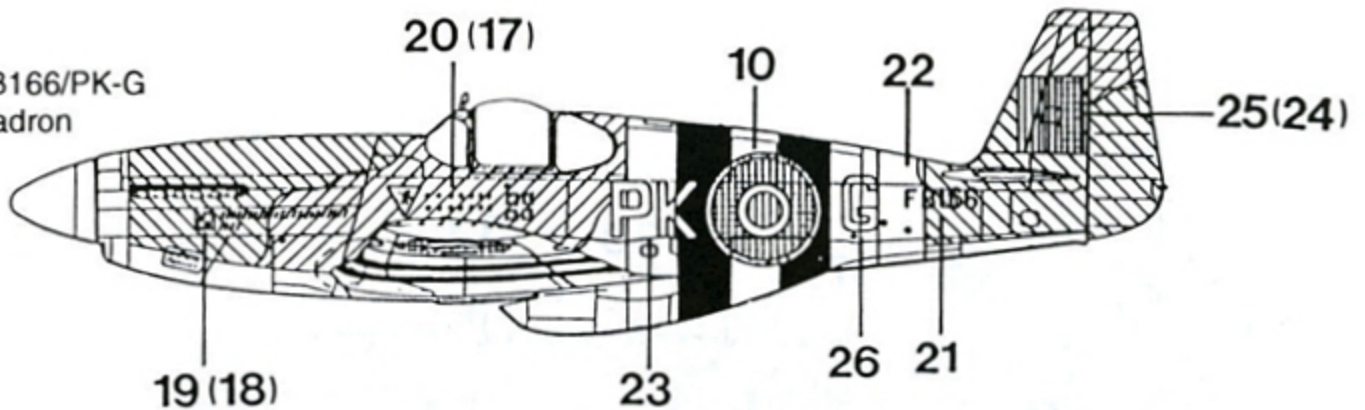
MUSTANG

UPPER

LOWER



Mustang III FB166/PK-G  
315 Squadron

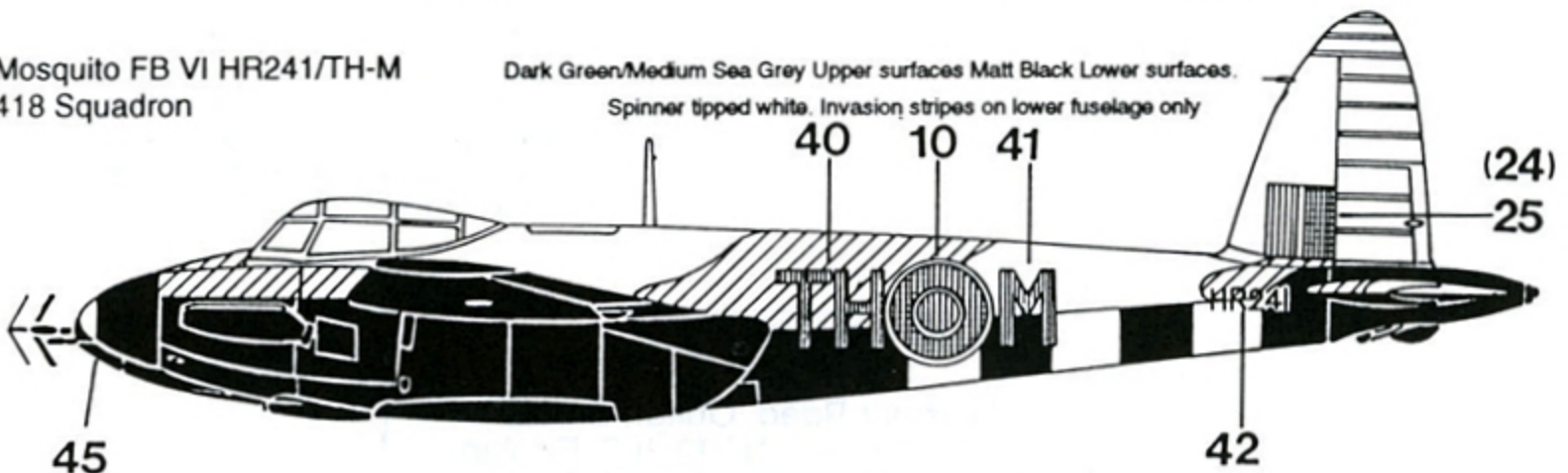


Dark Green/Ocean Grey Upper surfaces with Medium Sea Grey Lower surfaces. Spinner and front of cowl white. Sky fuselage band. 18" Invasion stripes on wing upper and lower surfaces and fuselage.

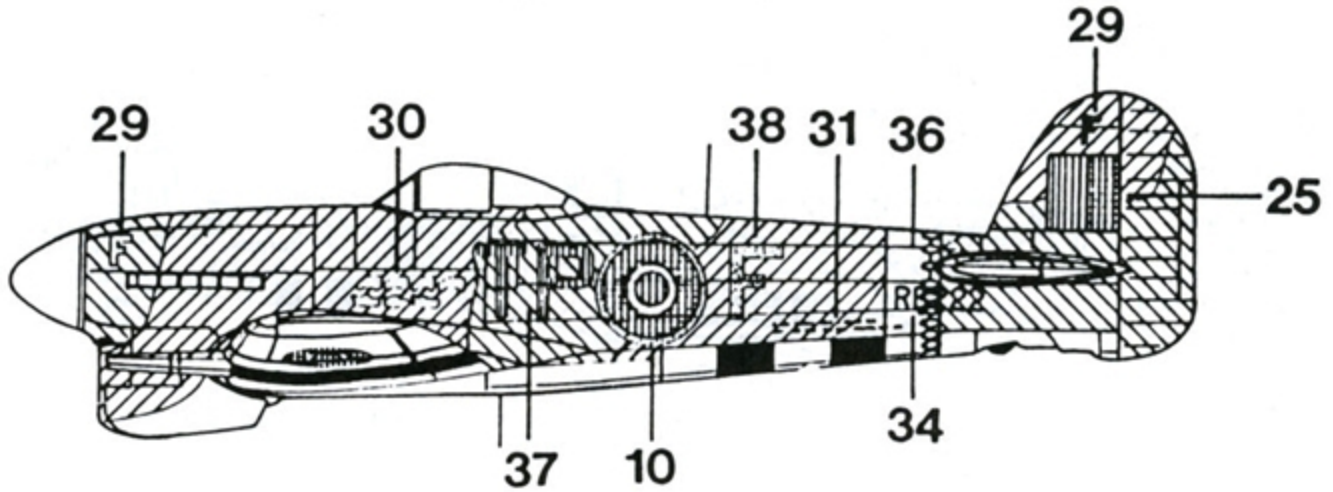
Mosquito FB VI HR241/TH-M  
418 Squadron

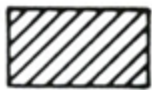

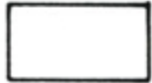
Dark Green/Medium Sea Grey Upper surfaces Matt Black Lower surfaces.

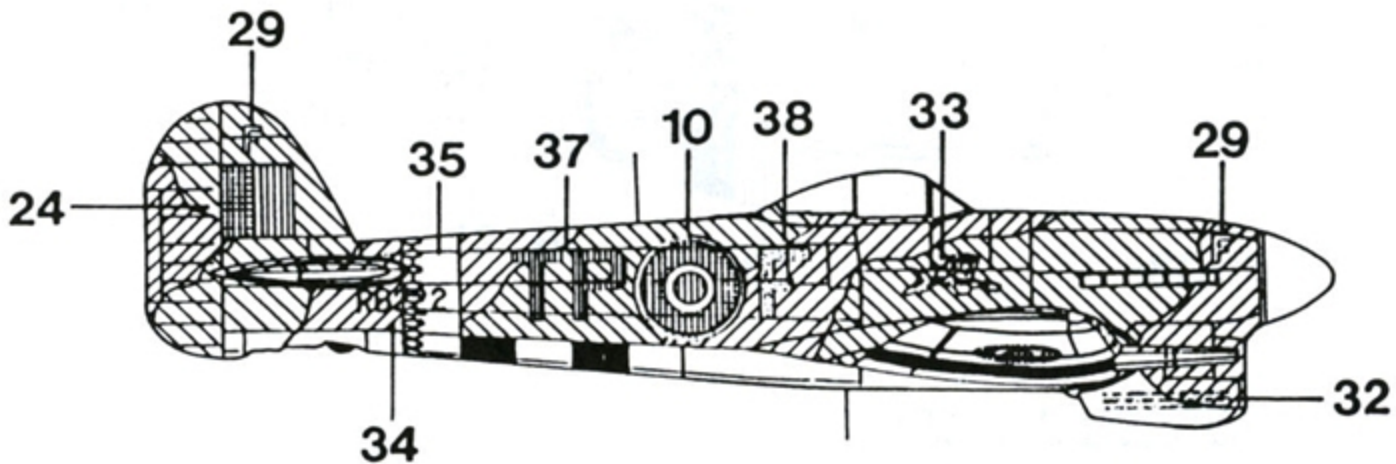
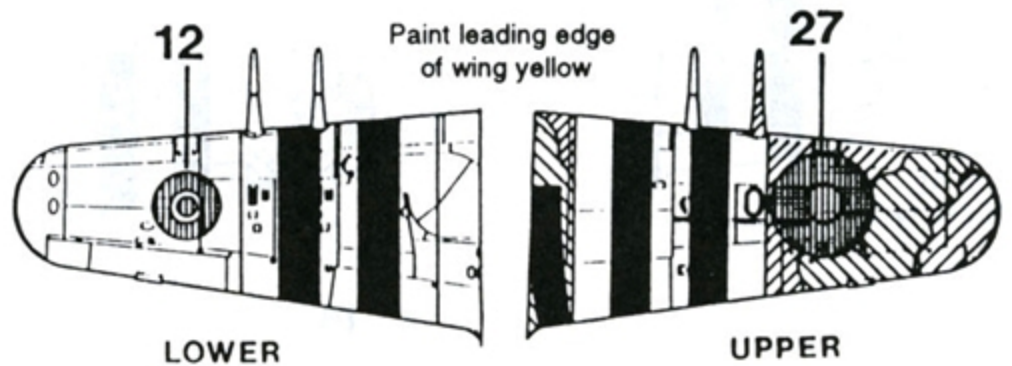
Spinner tipped white. Invasion stripes on lower fuselage only



Typhoon 1B RB222/TP-E 198 Squadron  
 Dark Green/Ocean Grey Upper surfaces and Medium Sea Grey Lower surfaces.  
 Spinner yellow. Sky Fuselage band. 18" Invasion stripes on upper and lower wings and lower fuselage.



-  Dark Green Xtracolor X1
-  Ocean Grey Xtracolor X6
-  Medium Sea Grey Xtracolor X3



Markings on all aircraft were changing rapidly on a day to day basis at this point of the war. In particular, Invasion stripes which in many cases had been hurriedly applied on June 5th were removed from some areas of the airframe

This decal produced by  
**HANNANT'S,**  
 Harbour Road, Oulton Broad  
 Lowestoft, Suffolk, NR32 3LZ, England